



US00D531960S

(12) **United States Design Patent**
Kondas

(10) **Patent No.:** **US D531,960 S**

(45) **Date of Patent:** **** Nov. 14, 2006**

(54) **FOUR-PORT ELECTRICAL PLUG**

(75) Inventor: **Shawn J. Kondas**, Kendallville, IN
(US)

(73) Assignee: **Pent Technologies, Inc.**, Kendallville,
IN (US)

(**) Term: **14 Years**

(21) Appl. No.: **29/251,772**

(22) Filed: **Jan. 12, 2006**

(51) **LOC (8) Cl.** **13-03**

(52) **U.S. Cl.** **D13/147**

(58) **Field of Classification Search** D13/133,
D13/146-147, 153-154, 184, 199; 439/266,
439/345, 350, 352, 357-358, 476.1, 595,
439/660, 680, 682, 752

See application file for complete search history.

(56) **References Cited**

U.S. PATENT DOCUMENTS

D241,942 S	*	10/1976	Sheesley et al.	D13/147
4,690,478 A	*	9/1987	Rahrig et al.	439/271
4,959,023 A	*	9/1990	Watanabe et al.	439/595
D310,993 S	*	10/1990	Ohkura et al.	D13/146
4,986,766 A	*	1/1991	Leonard et al.	439/352

4,990,099 A	*	2/1991	Marin et al.	439/284
D317,148 S	*	5/1991	Kozono et al.	D13/146
5,391,090 A	*	2/1995	Power	439/354
6,383,032 B1	*	5/2002	Gerberding	439/681
6,428,359 B1	*	8/2002	Van Zanten	439/610
D510,908 S	*	10/2005	Byrne	D13/147
2003/0180004 A1	*	9/2003	Cox et al.	385/53

* cited by examiner

Primary Examiner—Stella Reid

Assistant Examiner—Daniel Bui

(74) *Attorney, Agent, or Firm*—Taylor & Aust, P.C.

(57) **CLAIM**

The ornamental design for a four-port electrical plug, as shown and described.

DESCRIPTION

FIG. 1 is a perspective view of a four-port electrical plug showing my new design;

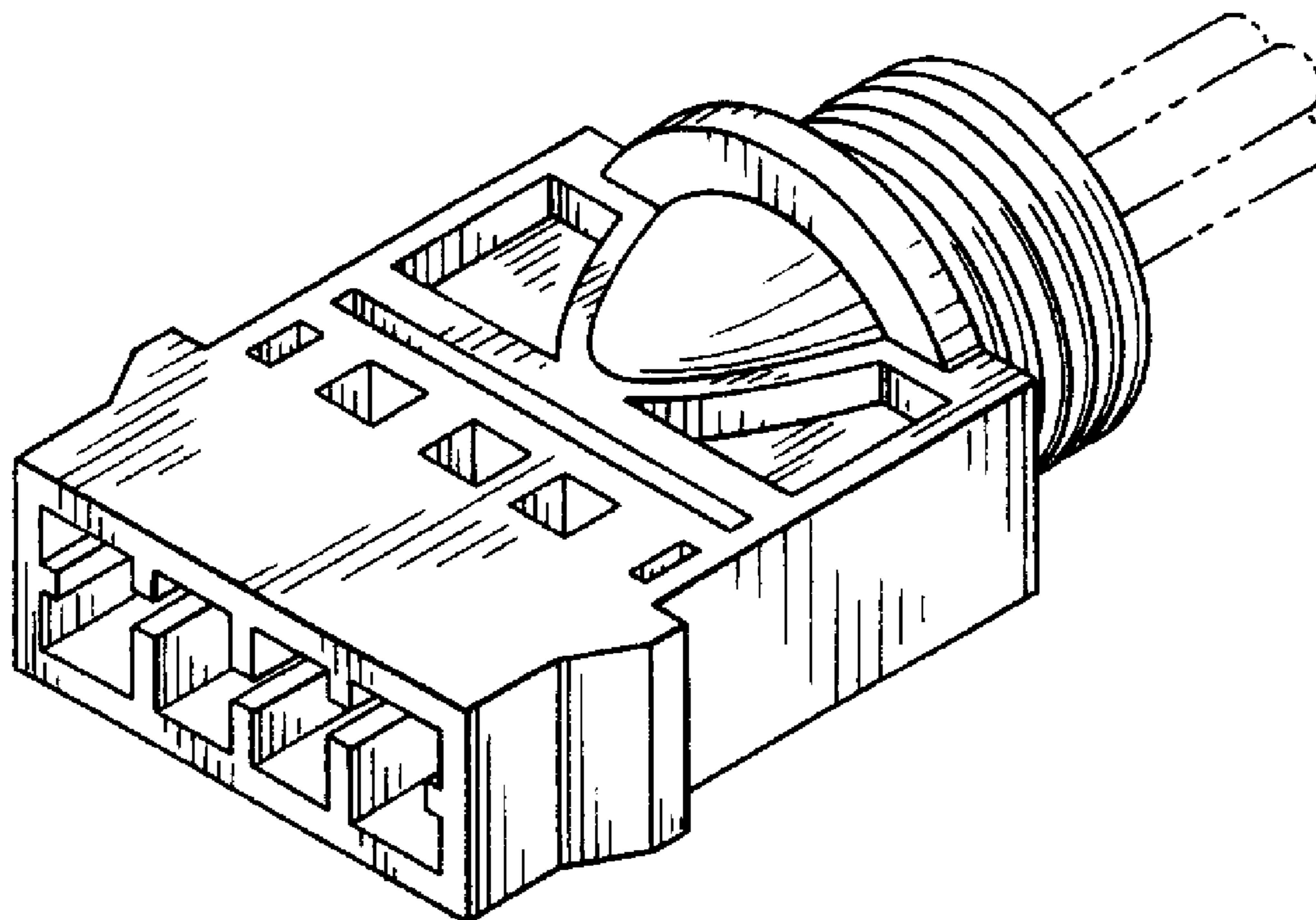
FIG. 2 is a top view thereof, the bottom view being a mirror image thereof;

FIG. 3 is a front view thereof; and,

FIG. 4 is a side view thereof, the opposite side view being a mirror image thereof.

The broken line showing of the environment is for illustrative purposes only and forms no part of the claimed design.

1 Claim, 2 Drawing Sheets



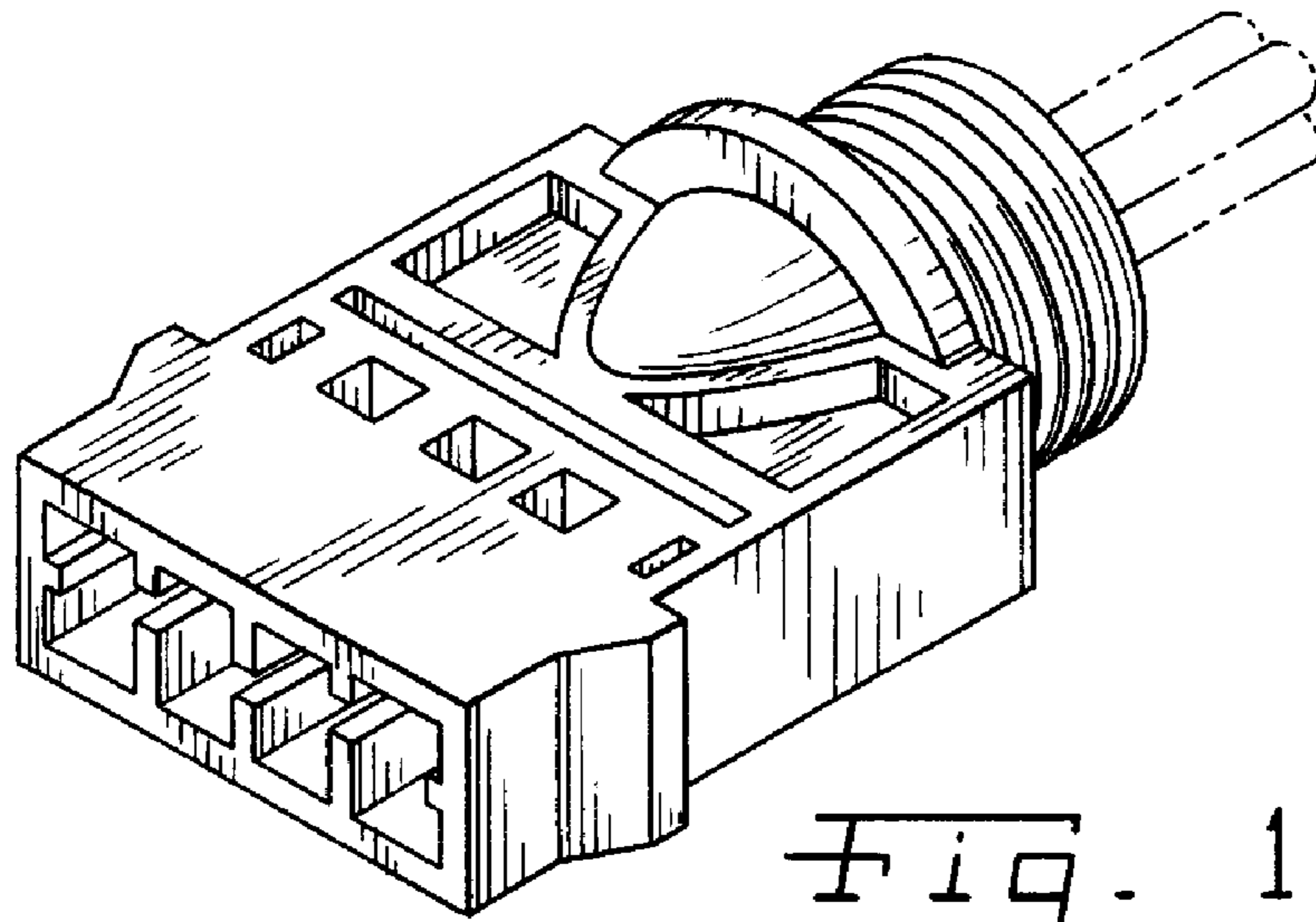


Fig. 1

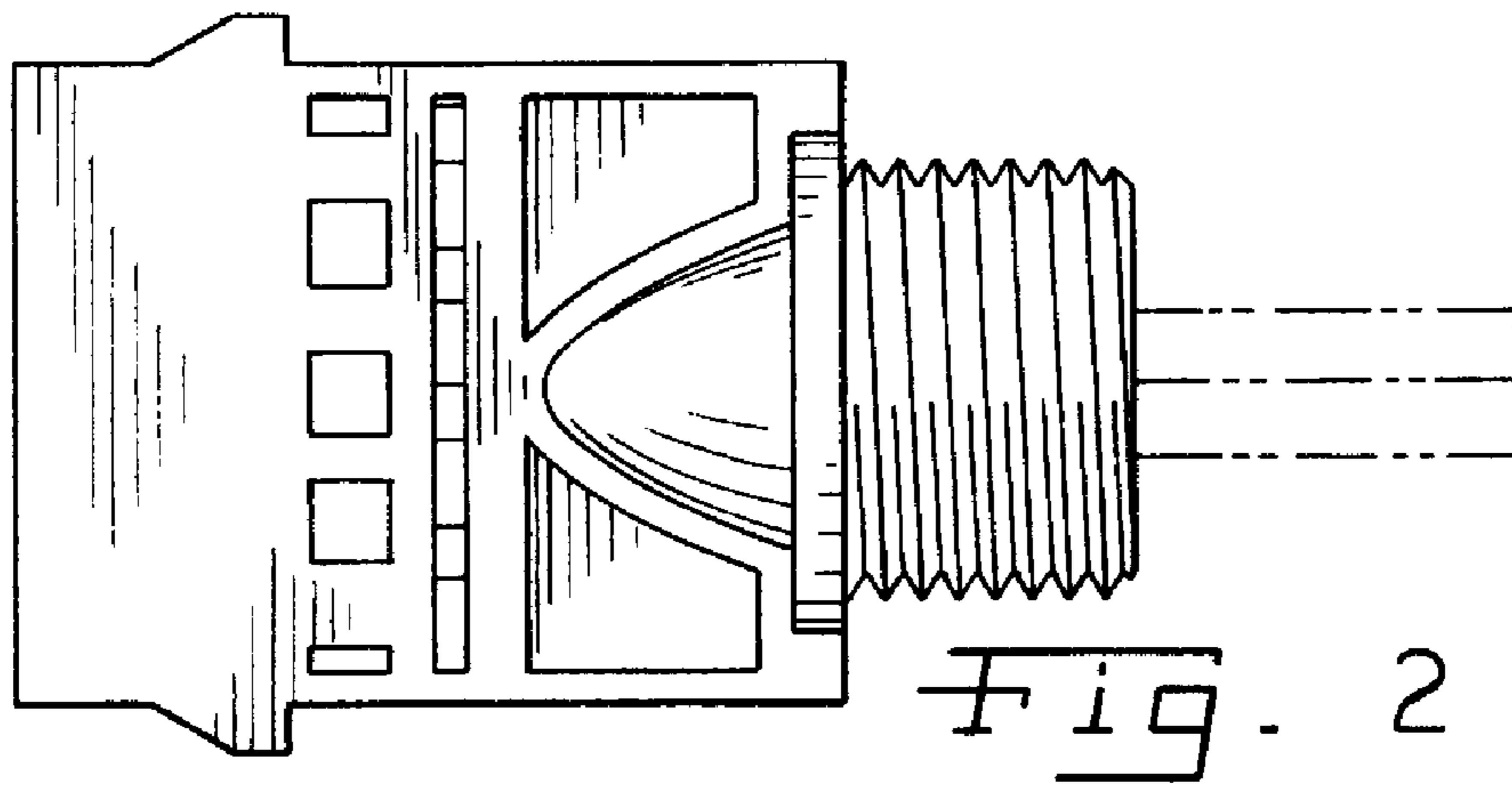


Fig. 2

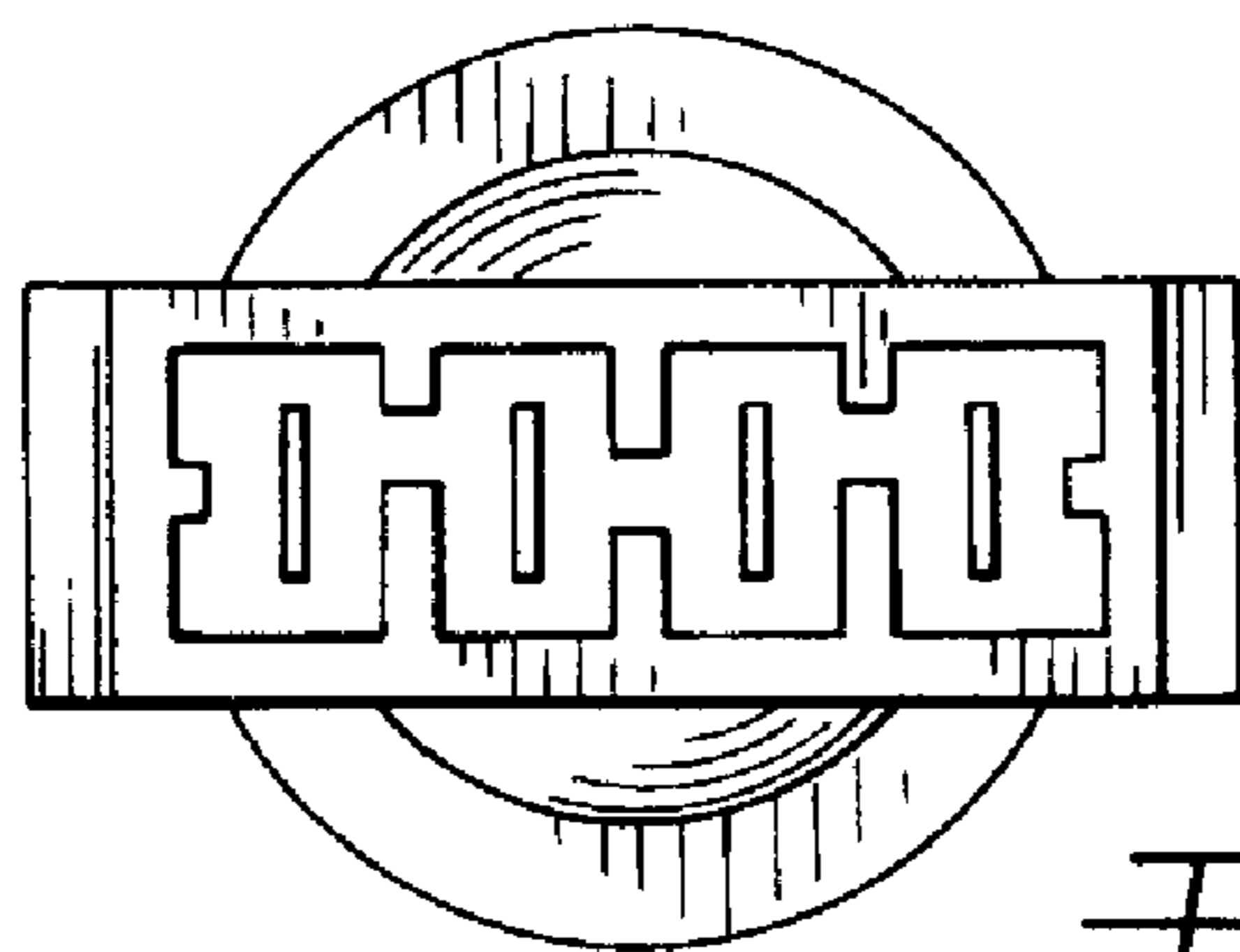


Fig. 3

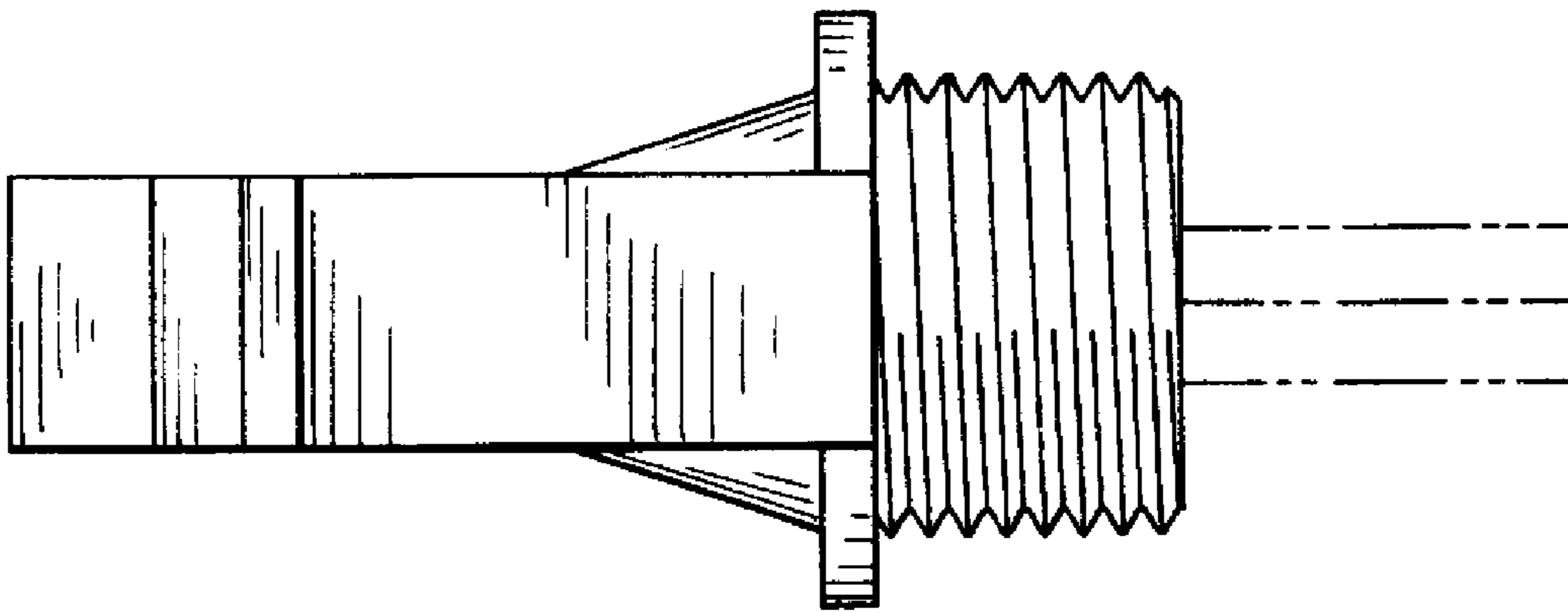


Fig. 4