

US00D531959S

(12) **United States Design Patent**
Kondas

(10) **Patent No.:** **US D531,959 S**

(45) **Date of Patent:** **** Nov. 14, 2006**

(54) **MALE FOUR-PORT ELECTRICAL PLUG**

(75) Inventor: **Shawn J. Kondas**, Kendallville, IN
(US)

(73) Assignee: **Pent Technologies, Inc.**, Kendallville,
IN (US)

(**) Term: **14 Years**

(21) Appl. No.: **29/251,757**

(22) Filed: **Jan. 12, 2006**

(51) **LOC (8) Cl.** **13-03**

(52) **U.S. Cl.** **D13/147**

(58) **Field of Classification Search** D13/133,
D13/146-147, 153-154, 184, 199; 439/266,
439/345, 350, 352, 357-358, 476.1, 595,
439/660, 680, 682, 752

See application file for complete search history.

(56) **References Cited**

U.S. PATENT DOCUMENTS

- D241,942 S * 10/1976 Sheesley et al. D13/147
- 4,690,478 A * 9/1987 Rahrig et al. 439/271
- 4,959,023 A * 9/1990 Watanabe et al. 439/595
- 4,986,766 A * 1/1991 Leonard et al. 439/352

- 4,990,099 A * 2/1991 Marin et al. 439/284
- D316,846 S * 5/1991 Moriai et al. D13/147
- 6,383,032 B1 * 5/2002 Gerberding 439/681
- 6,428,359 B1 * 8/2002 Van Zanten 439/610
- D510,908 S * 10/2005 Byrne D13/147
- 2003/0180004 A1 * 9/2003 Cox et al. 385/53

* cited by examiner

Primary Examiner—Stella Reid

Assistant Examiner—Daniel Bui

(74) *Attorney, Agent, or Firm*—Taylor & Aust, P.C.

(57) **CLAIM**

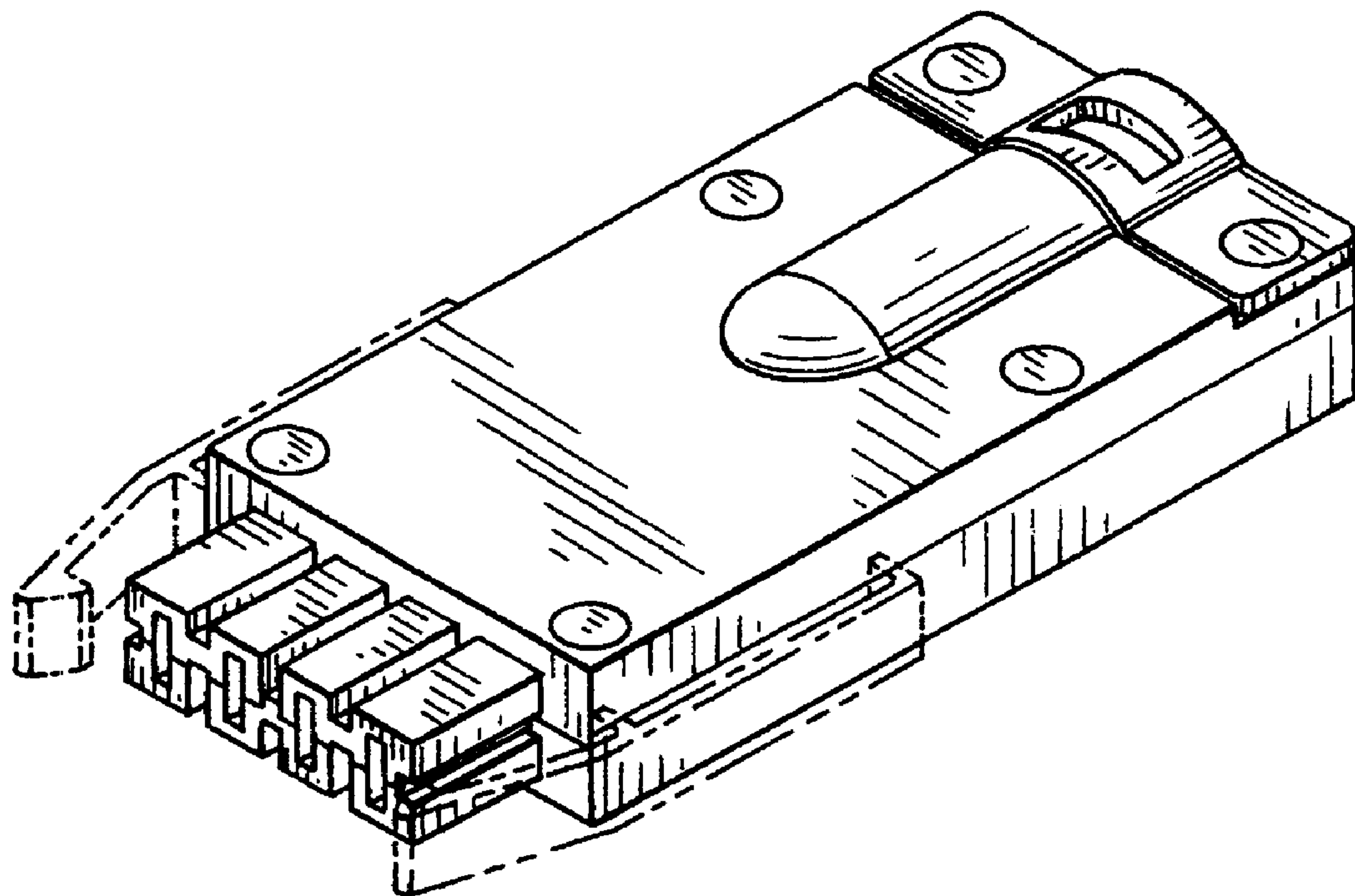
The ornamental design for a male four-port electrical plug, as shown and described.

DESCRIPTION

FIG. 1 is a perspective view of a male four-port electrical plug showing my new design; FIG. 2 is a top view thereof; FIG. 3 is a bottom view thereof; FIG. 4 is a side view thereof, the opposite side view being a mirror image thereof; and, FIG. 5 is a front view thereof.

The broken line showing of the environment is for illustrative purposes only and forms no part of the claimed design.

1 Claim, 2 Drawing Sheets



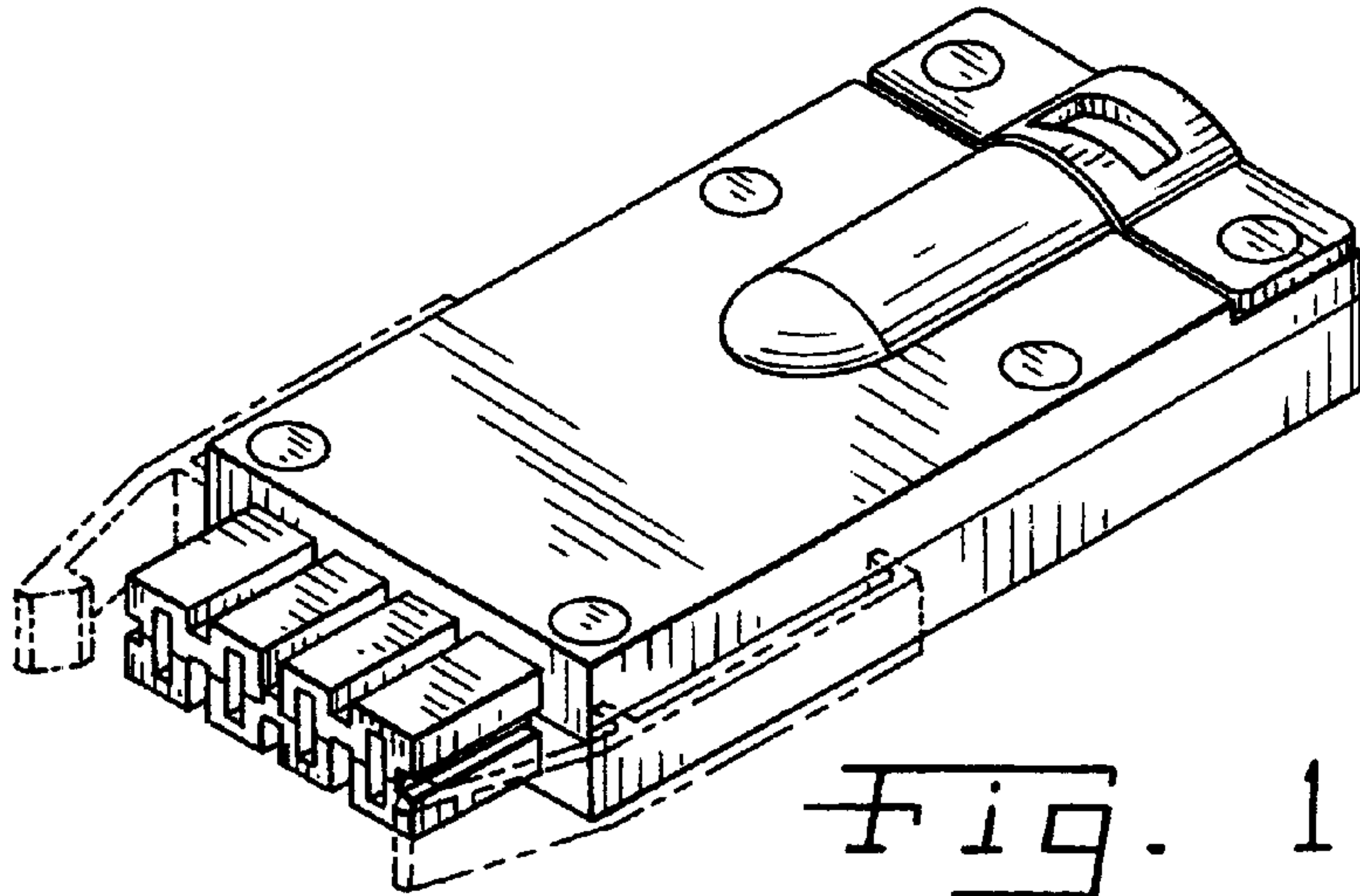


Fig. 1

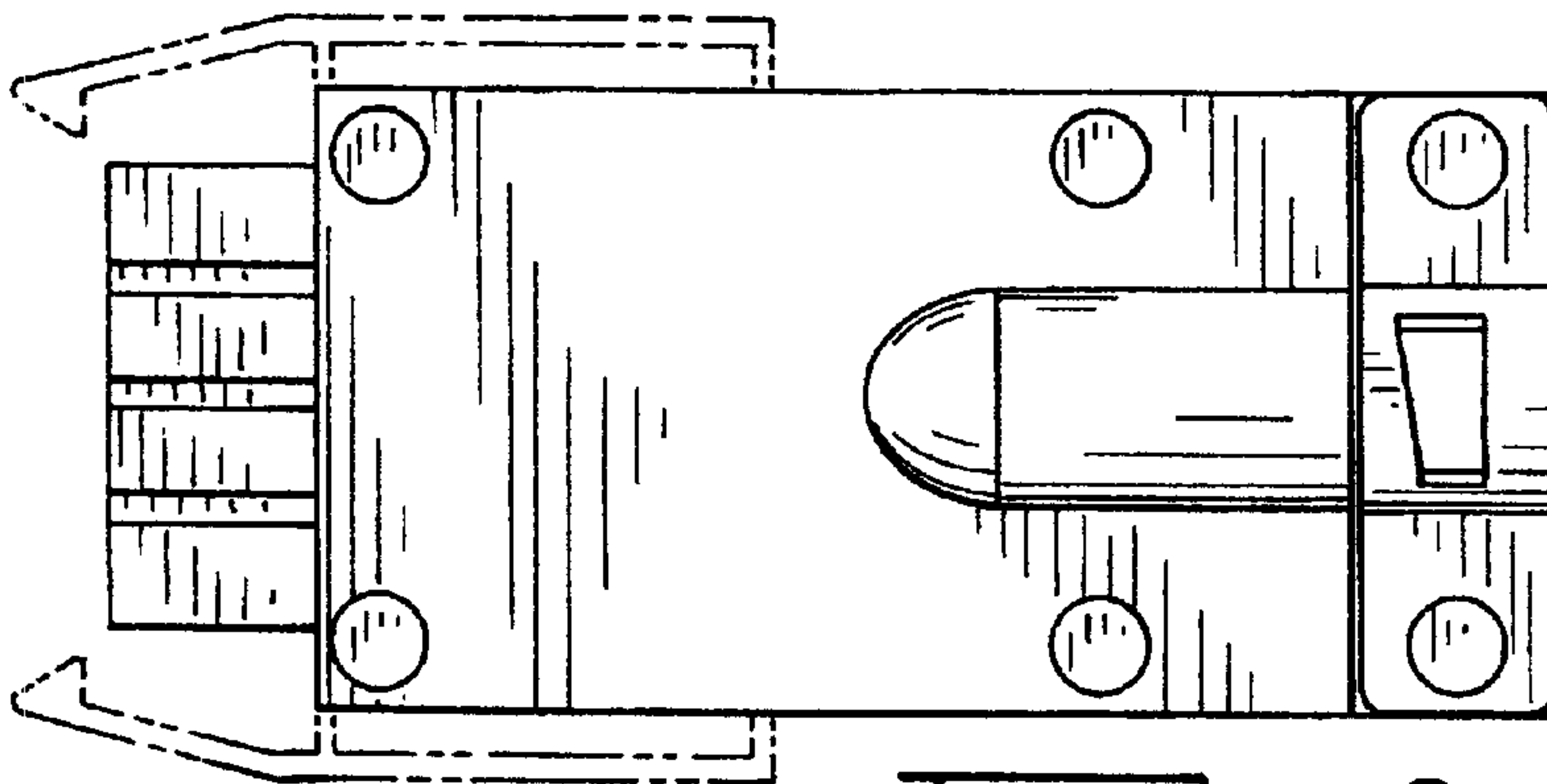


Fig. 2

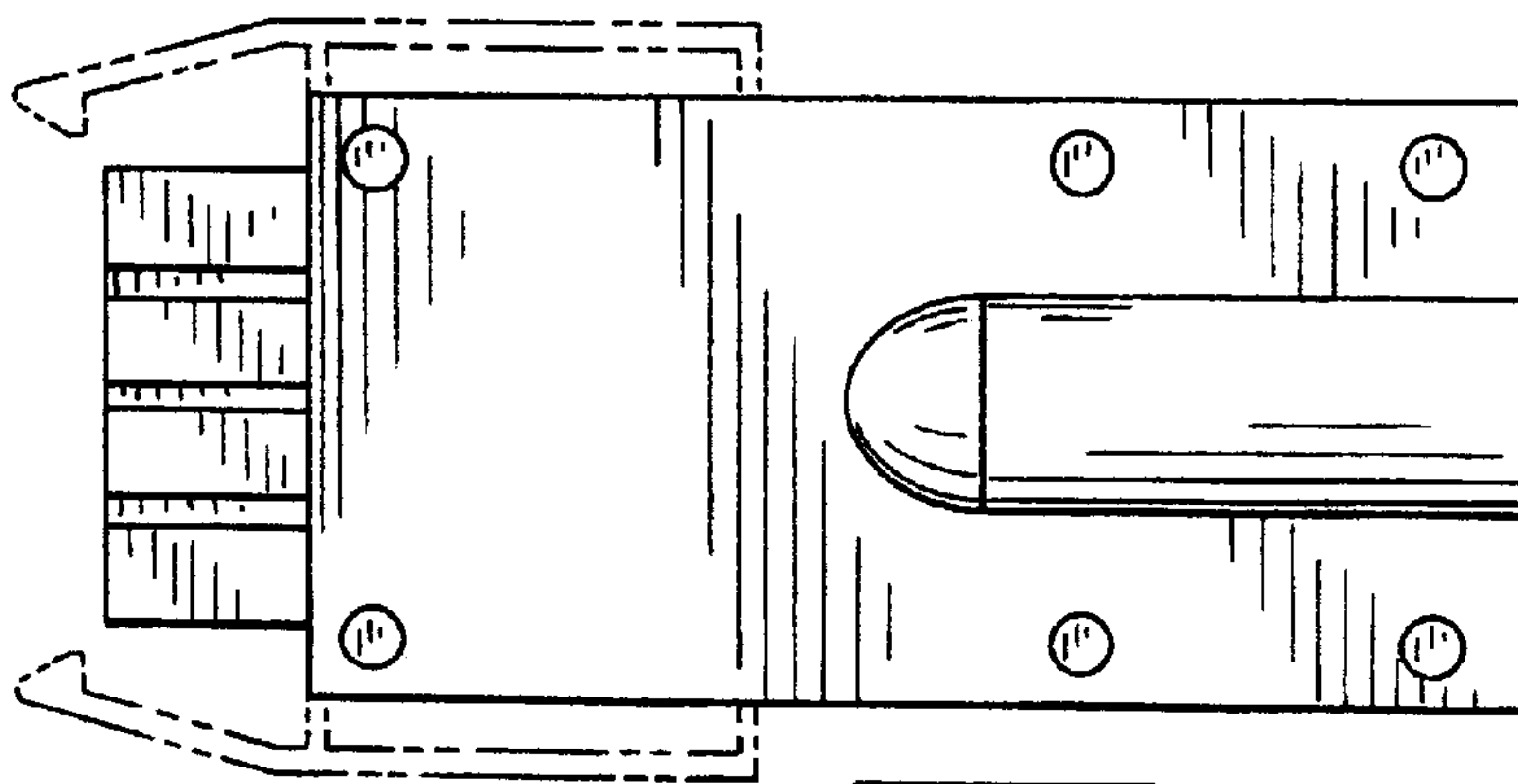


Fig. 3

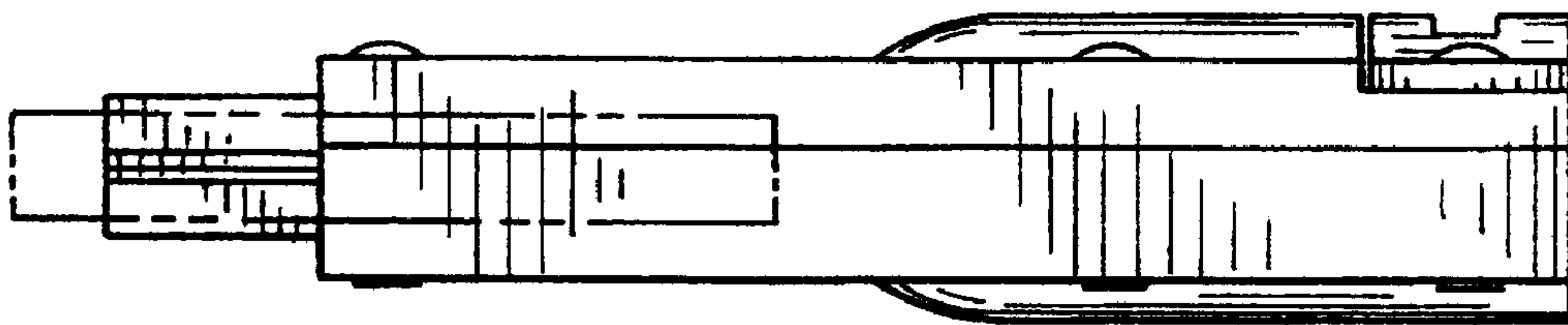


Fig. 4

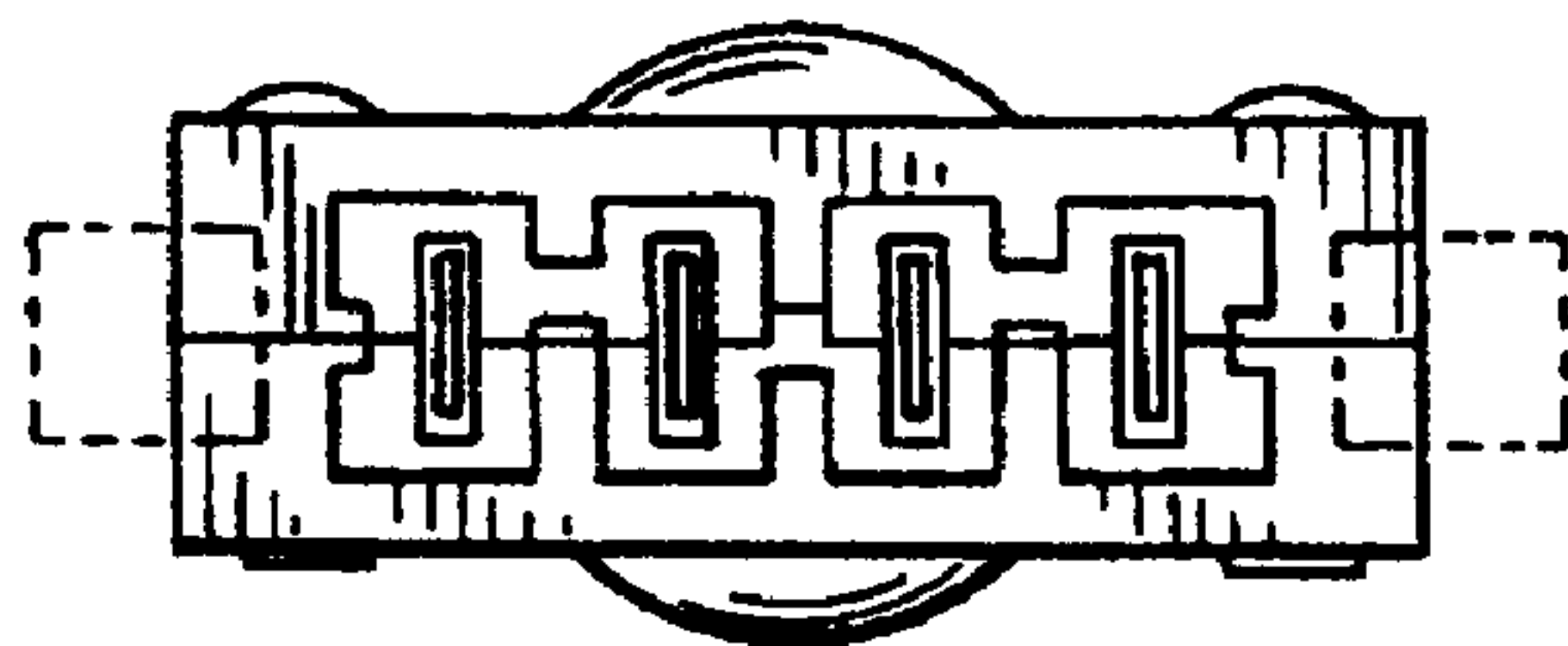


Fig. 5