



US00D531958S

(12) **United States Design Patent**  
**Yang et al.**

(10) **Patent No.:** **US D531,958 S**

(45) **Date of Patent:** **\*\* Nov. 14, 2006**

(54) **ELECTRICAL CARD CONNECTOR**

(75) Inventors: **Qong-Qing Yang**, Shenzhen (CN);  
**Chang-Shin Hsu**, Tu-Cheng (TW)

(73) Assignee: **Hon Hai Precision Ind. Co., Ltd.**,  
Taipei Hsien (TW)

(\*\*) Term: **14 Years**

(21) Appl. No.: **29/245,554**

(22) Filed: **Dec. 23, 2005**

(30) **Foreign Application Priority Data**

Nov. 18, 2005 (CN) ..... 2005 3 0133941

(51) **LOC (8) Cl.** ..... **13-03**

(52) **U.S. Cl.** ..... **D13/147**

(58) **Field of Classification Search** ..... D13/133,  
D13/146-147, 149, 154, 184; D14/432-436,  
D14/438; 439/64, 79, 159-160, 492, 496,  
439/607-610, 630-631, 862

See application file for complete search history.

(56) **References Cited**

U.S. PATENT DOCUMENTS

5,752,841 A \* 5/1998 Hori ..... 439/108

5,823,828 A \* 10/1998 Bricaud et al. .... 439/630  
6,086,424 A \* 7/2000 Chang ..... 439/630  
6,454,607 B1 \* 9/2002 Bricaud ..... 439/630  
D483,372 S \* 12/2003 Watanabe et al. .... D14/433  
D485,807 S \* 1/2004 Kao et al. .... D13/133  
2003/0190848 A1 \* 10/2003 Wu ..... 439/862  
2005/0130510 A1 \* 6/2005 Zheng et al. .... 439/862

\* cited by examiner

*Primary Examiner*—Prabhakar Deshmukh

*Assistant Examiner*—Daniel Bui

(74) *Attorney, Agent, or Firm*—Wei Te Chung

(57) **CLAIM**

The ornamental design for an electrical card connector, as shown.

**DESCRIPTION**

FIG. 1 is a perspective view of an electrical card connector showing our new design;

FIG. 2 is a front elevational view of FIG. 1;

FIG. 3 is a rear elevational view of FIG. 1;

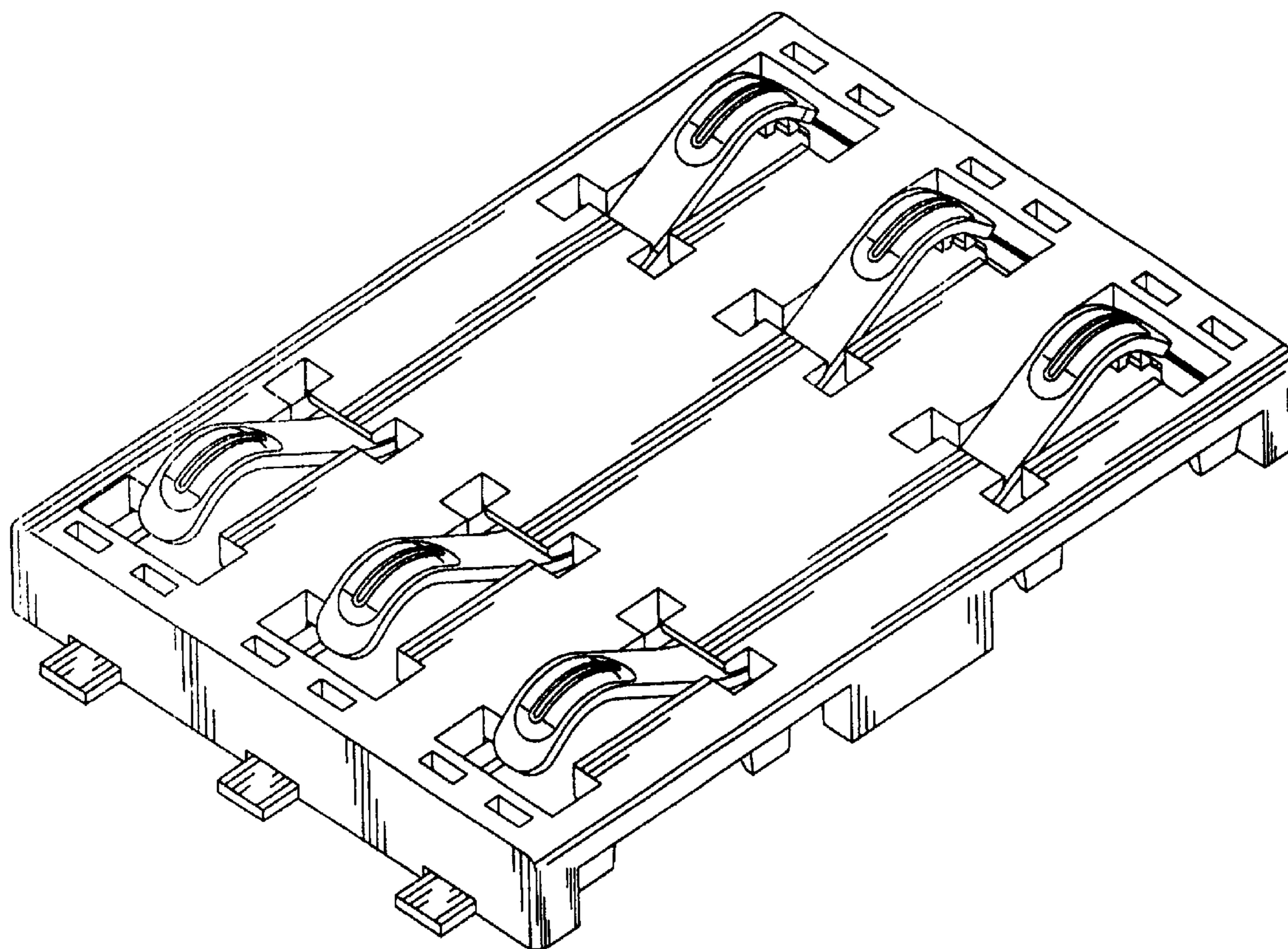
FIG. 4 is a left side elevational view of FIG. 1;

FIG. 5 is a right side elevational view of FIG. 1;

FIG. 6 is a top plan view of FIG. 1; and,

FIG. 7 is a bottom plan view of FIG. 1.

**1 Claim, 7 Drawing Sheets**



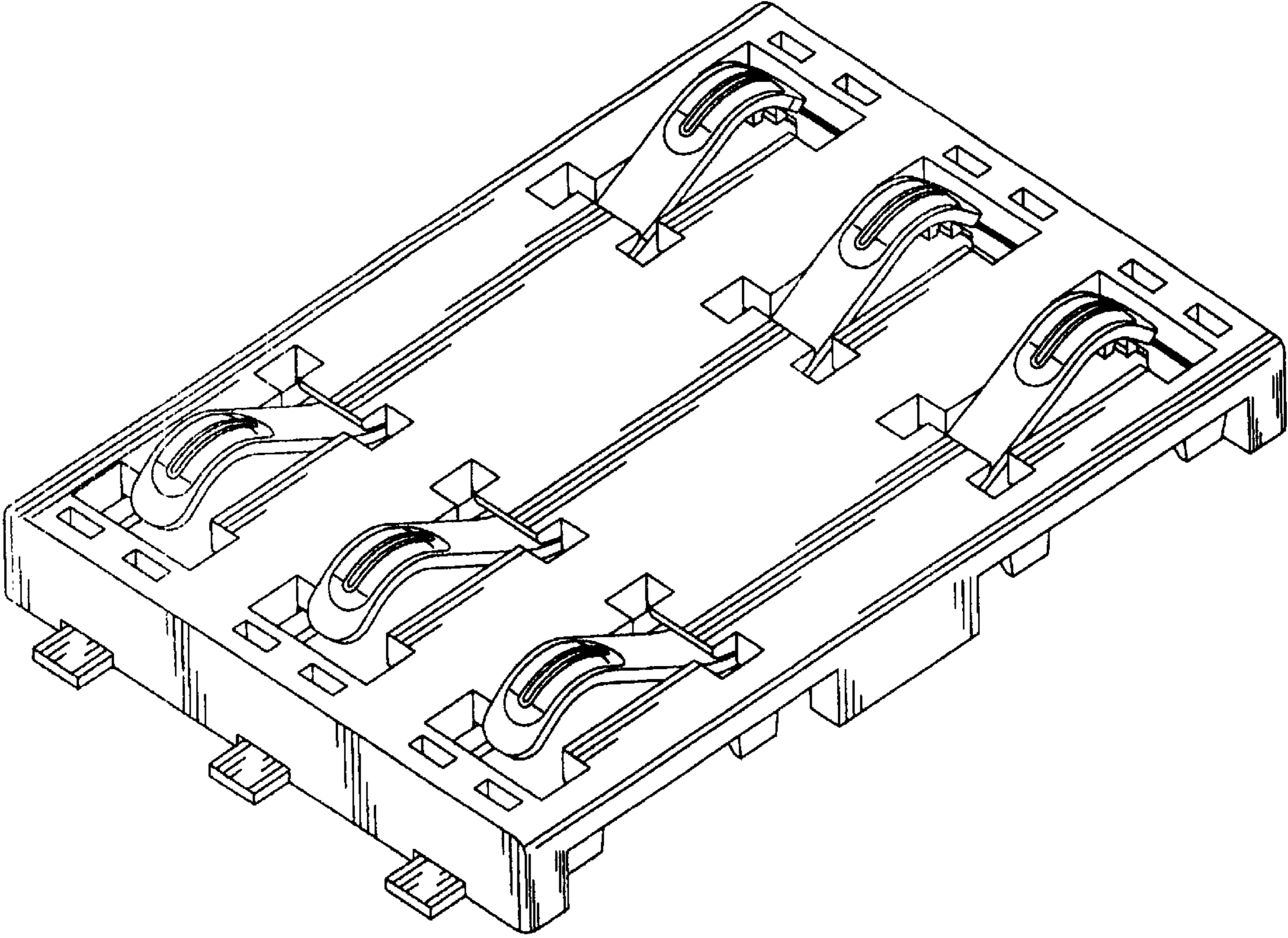


FIG. 1

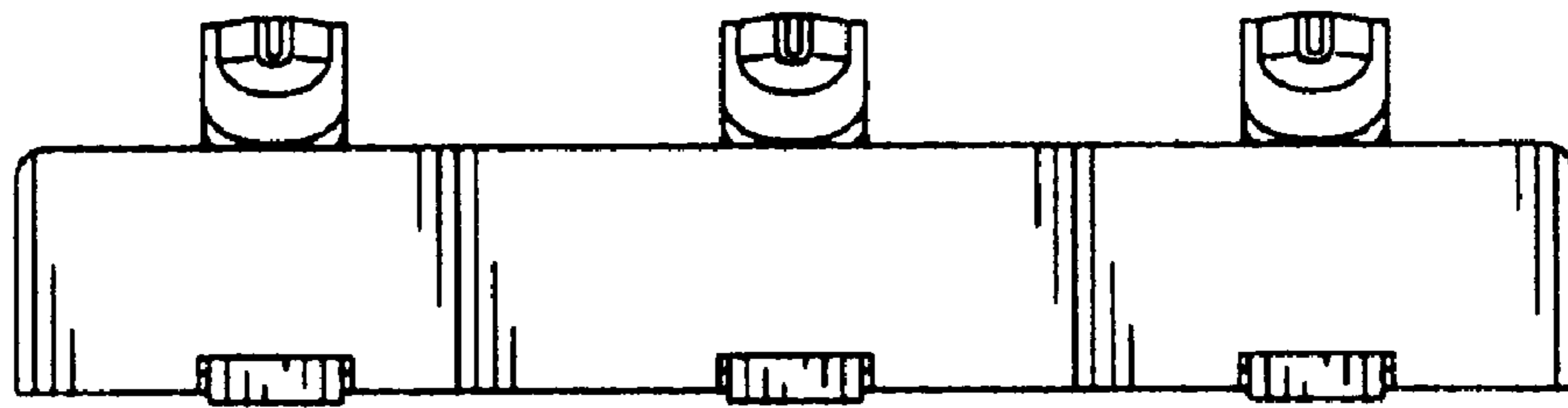


FIG. 2

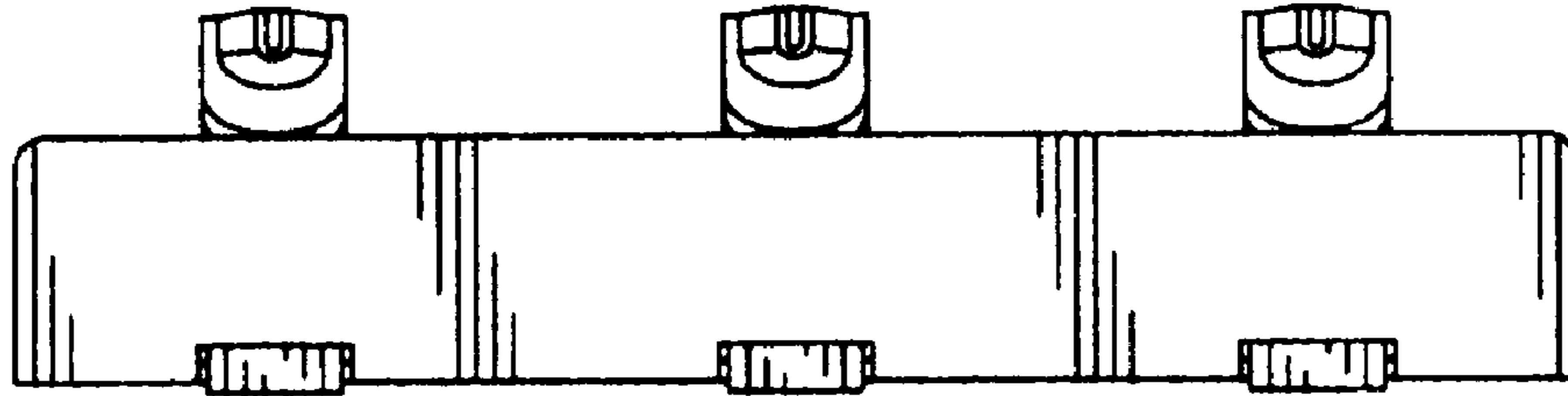


FIG. 3

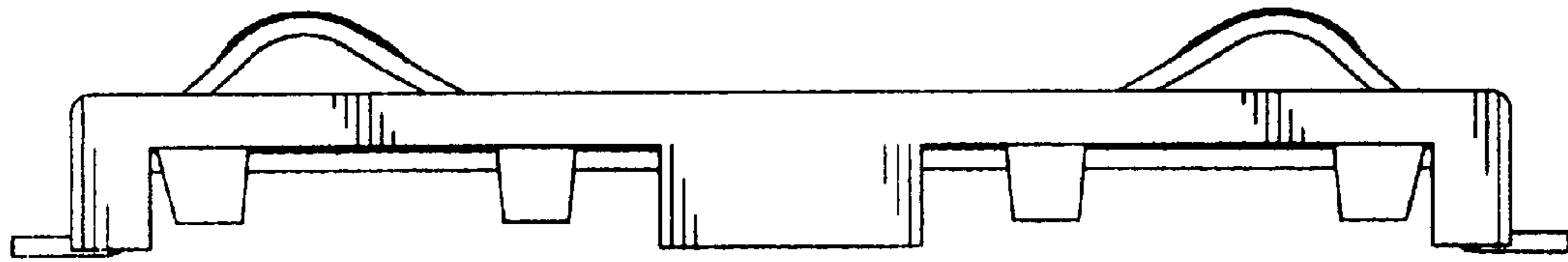


FIG. 4



FIG. 5

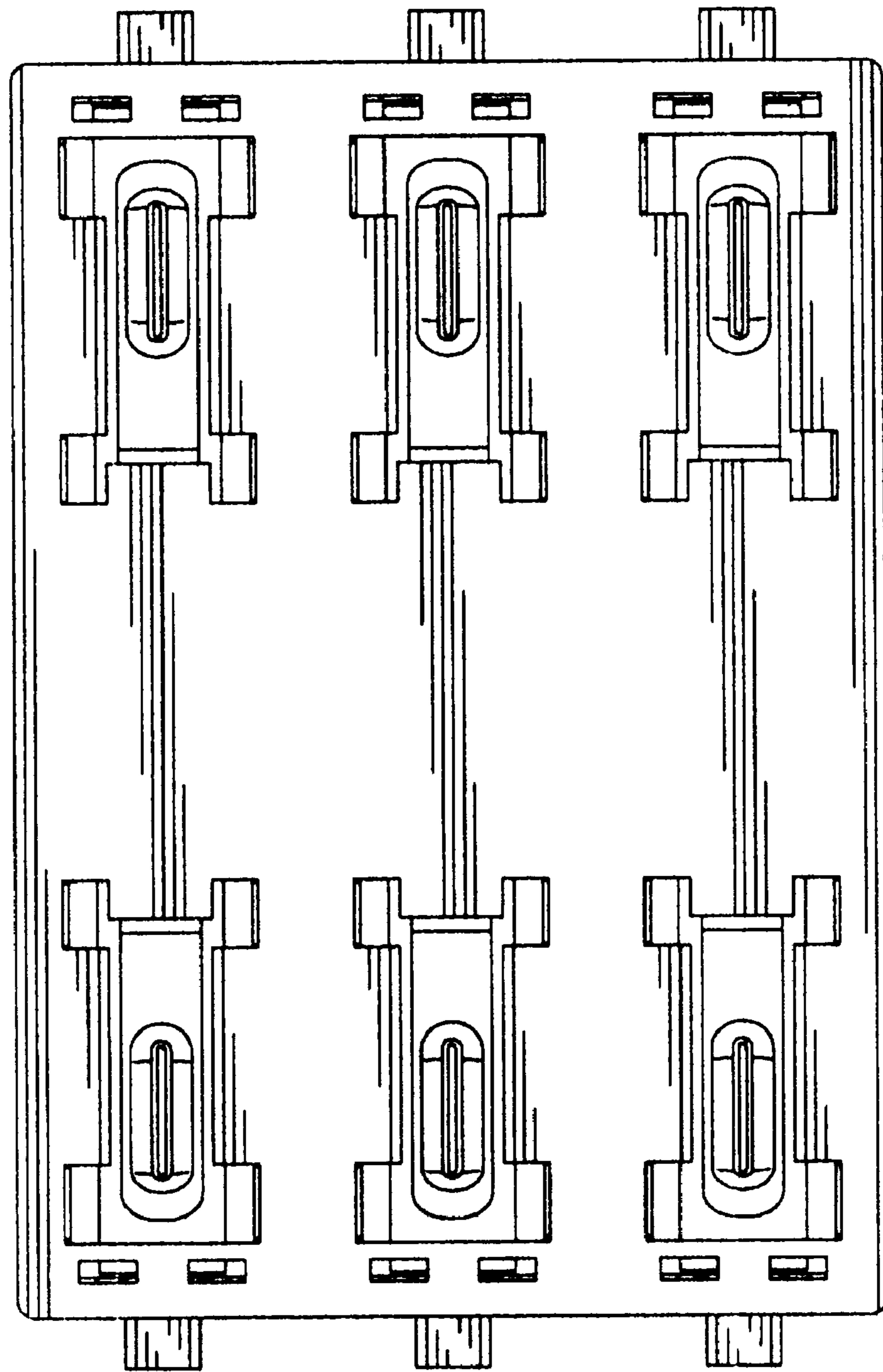


FIG. 6

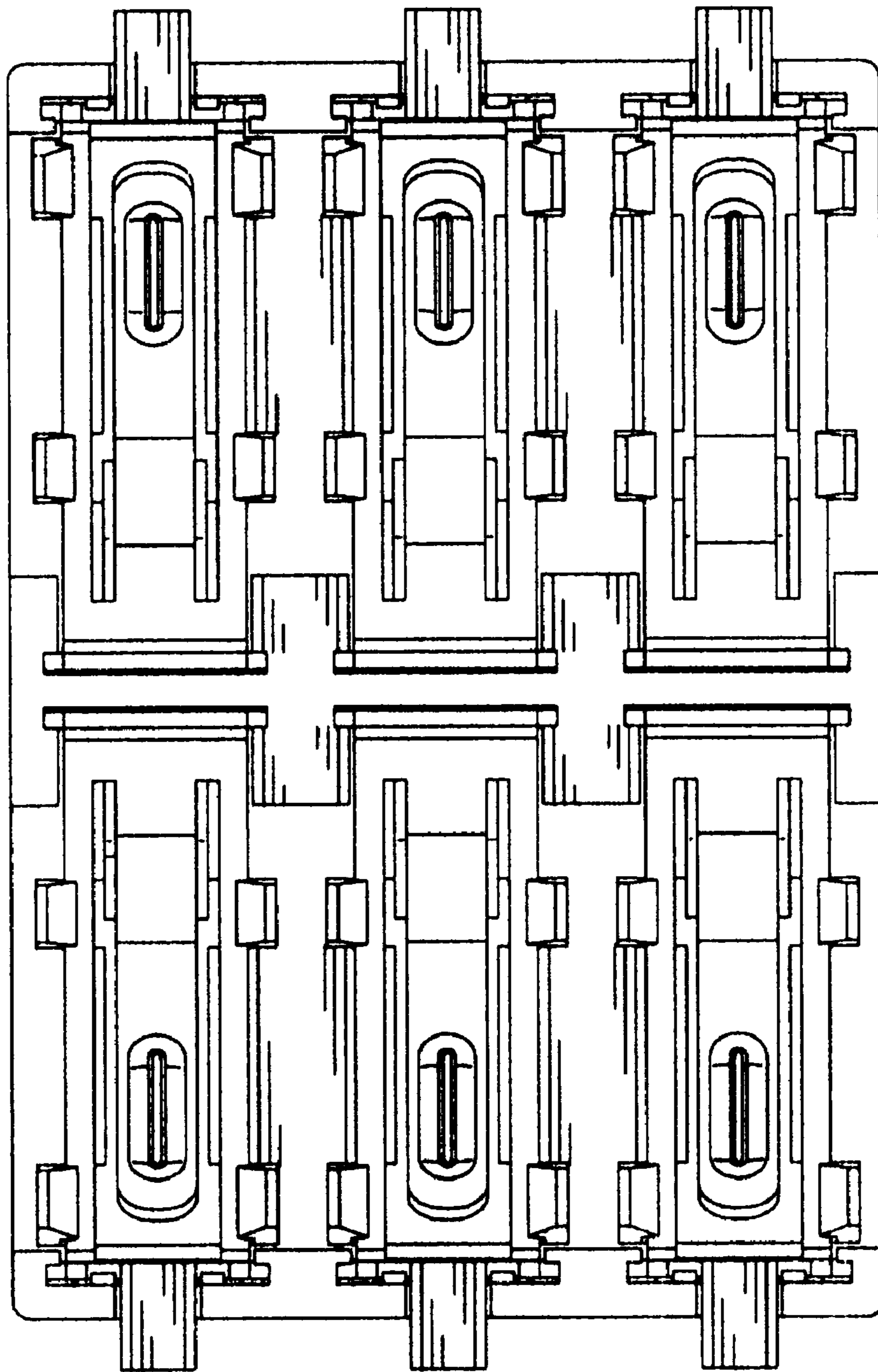


FIG. 7