



US00D531952S

(12) **United States Design Patent**  
**Sands**

(10) **Patent No.:** **US D531,952 S**

(45) **Date of Patent:** **\*\* Nov. 14, 2006**

(54) **VEHICLE WHEEL WITH TWENTY  
SLANTED SPOKES**

(75) Inventor: **Perry W. Sands**, La Palma, CA (US)

(73) Assignee: **Performance Machine, Inc.**, La Palma,  
CA (US)

(\*\*) Term: **14 Years**

(21) Appl. No.: **29/246,303**

(22) Filed: **Mar. 30, 2006**

(51) **LOC (8) Cl.** ..... **12-16**

(52) **U.S. Cl.** ..... **D12/211**

(58) **Field of Classification Search** ..... D12/204–213;  
301/37.101, 64.101, 65

See application file for complete search history.

(56) **References Cited**

**U.S. PATENT DOCUMENTS**

D258,504 S	*	3/1981	Schinella	.....	D12/211
D303,242 S	*	9/1989	Nakatsuka	.....	D12/211
D384,632 S	*	10/1997	Lempert	.....	D12/211
D392,239 S	*	3/1998	Cullen	.....	D12/211
D403,646 S	*	1/1999	Rotundo	.....	D12/209

D404,700 S	*	1/1999	Celeste	.....	D12/209
D415,991 S	*	11/1999	Wang	.....	D12/211
D441,707 S	*	5/2001	Hussaini et al.	.....	D12/209
D464,009 S	*	10/2002	Laengerer	.....	D12/211
D486,772 S	*	2/2004	Warming	.....	D12/211
D513,728 S	*	1/2006	Yazawa et al.	.....	D12/211
D514,047 S	*	1/2006	Sands	.....	D12/209
D516,493 S	*	3/2006	Frizzi	.....	D12/211

\* cited by examiner

*Primary Examiner*—Stacia Cadmus

(74) *Attorney, Agent, or Firm*—David Pressman

(57) **CLAIM**

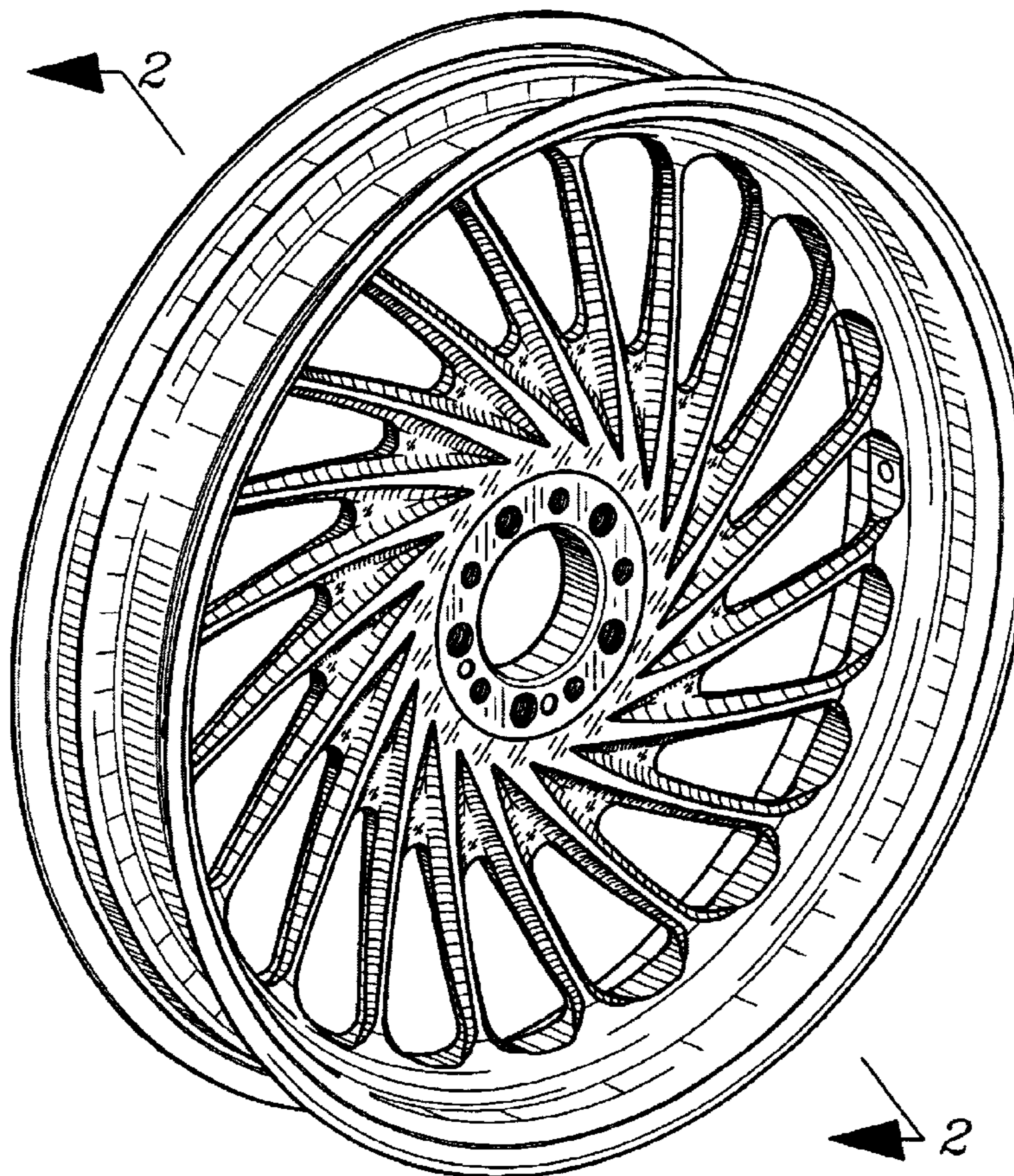
The ornamental design for a vehicle wheel with twenty slanted spokes, as shown and described.

**DESCRIPTION**

FIG. 1 is a perspective view of the front or outer side of a vehicle wheel with twenty slanted spokes according to my invention. The inner or rear side of the wheel is identical to the front side and the outer ends of all spokes are identical; and,

FIG. 2 is a cross-sectional view of the wheel of FIG. 1 taken along the lines 2—2 of FIG. 1.

**1 Claim, 2 Drawing Sheets**



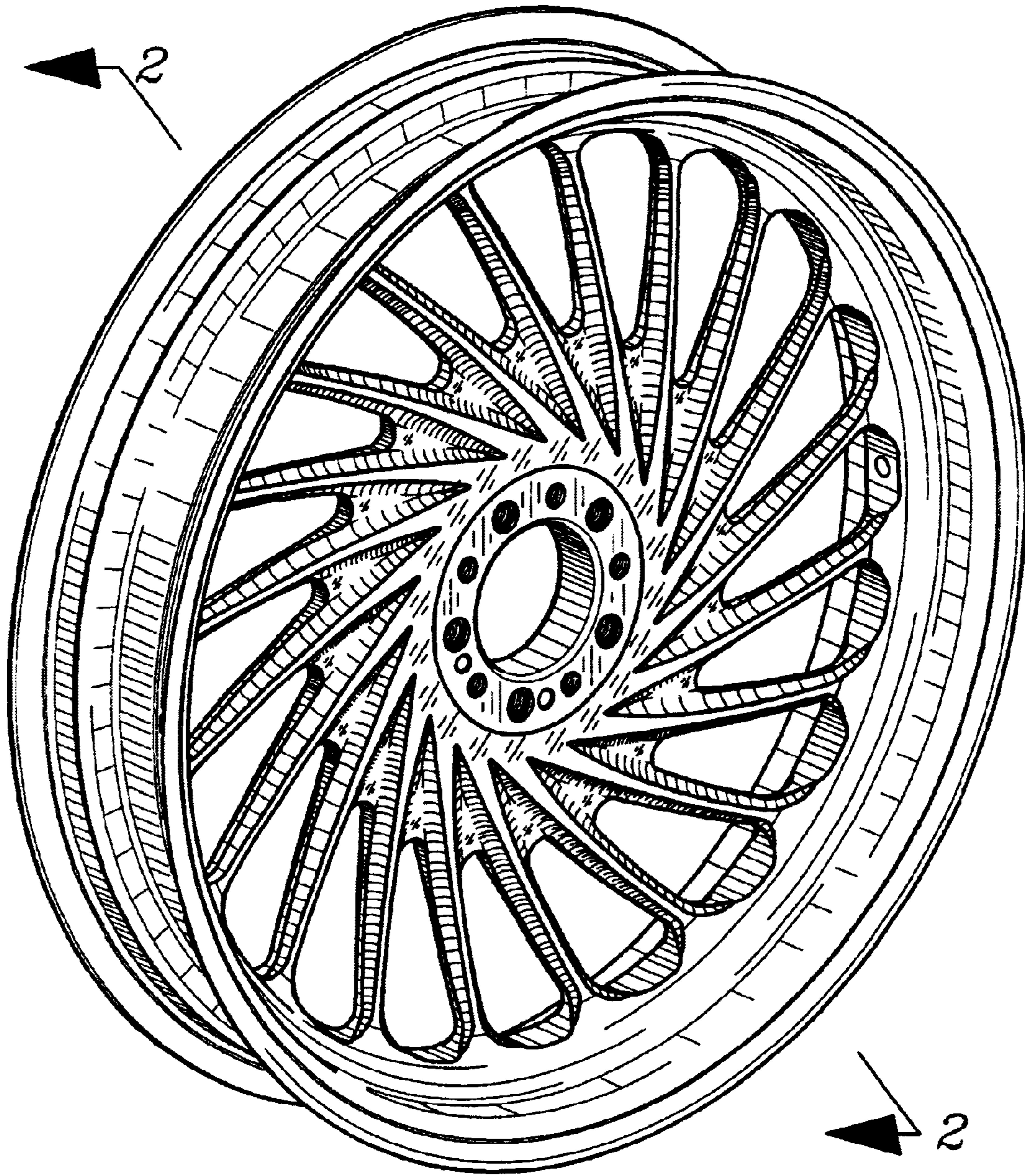
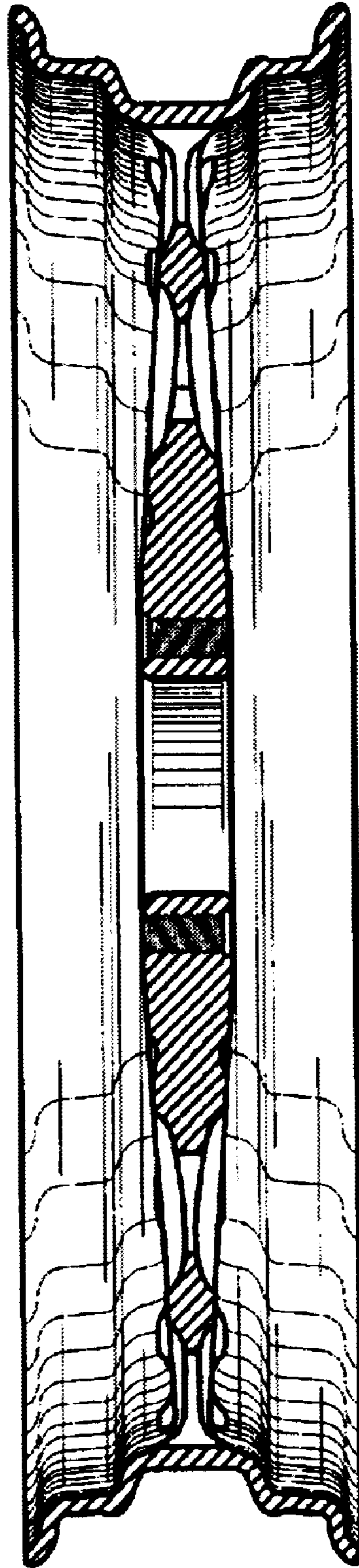


FIG 1



*FIG 2*

UNITED STATES PATENT AND TRADEMARK OFFICE  
**CERTIFICATE OF CORRECTION**

PATENT NO. : Des. 531,952 S  
APPLICATION NO. : 29/246303  
DATED : November 14, 2006  
INVENTOR(S) : Perry W. Sands

Page 1 of 1

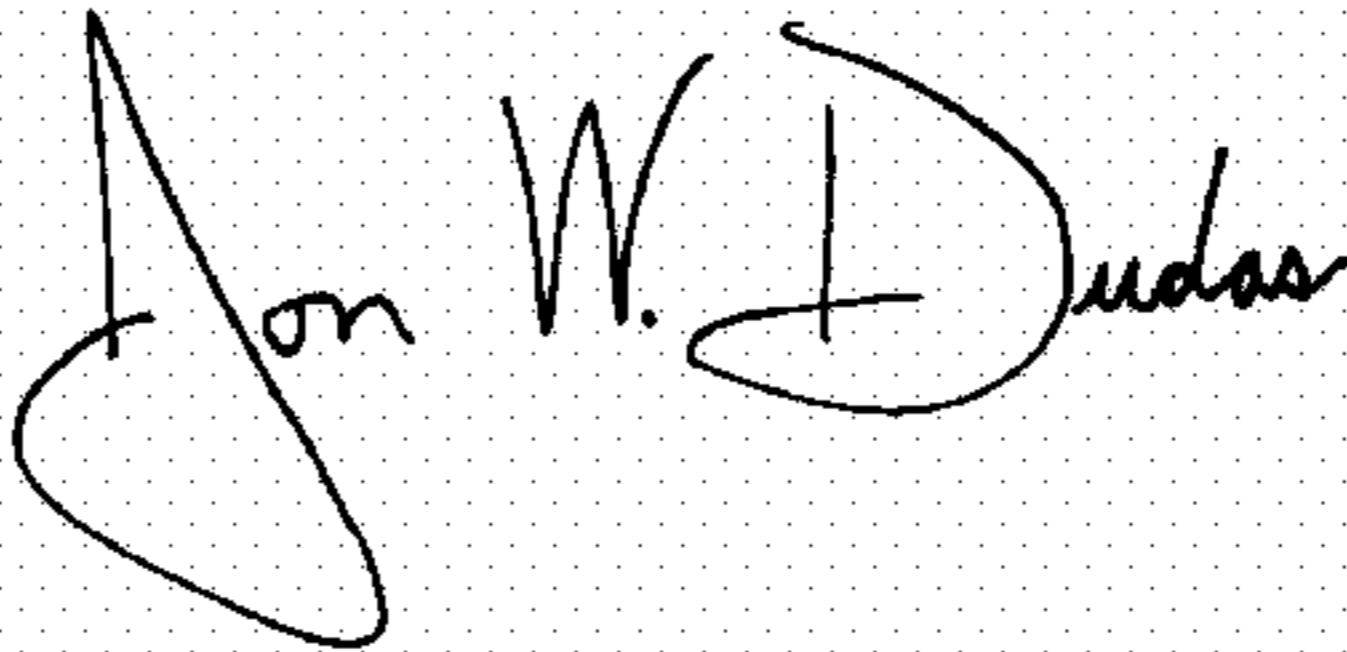
It is certified that error appears in the above-identified patent and that said Letters Patent is hereby corrected as shown below:

On the Title Page (56), under "References Cited" please add the following patents:

D430,843	9/2000	Sands
D490,760	6/2004	Sands
D493,763	8/2004	Sands
D494,119	8/2004	Sands
D494,122	8/2004	Sands
D495,284	8/2004	Sands
D514,047	1/2006	Sands
D514,048	1/2006	Sands
D514,051	1/2006	Sands
D518,429	4/2006	Sands

Signed and Sealed this

Eighteenth Day of September, 2007

A handwritten signature in black ink on a light gray dotted background. The signature reads "Jon W. Dudas" in a cursive style.

JON W. DUDAS

*Director of the United States Patent and Trademark Office*