



US00D531950S

(12) **United States Design Patent**
Huet

(10) **Patent No.:** **US D531,950 S**

(45) **Date of Patent:** **** Nov. 14, 2006**

(54) **FRONT FACE OF A VEHICLE WHEEL**

(75) **Inventor:** **Jean-Francois Alexandre Huet**, Villers
Allerand (FR)

(73) **Assignee:** **Bayerische Motoren Werke**
Aktiengesellschaft, Munich (DE)

(**) **Term:** **14 Years**

(21) **Appl. No.:** **29/255,178**

(22) **Filed:** **Mar. 7, 2006**

(30) **Foreign Application Priority Data**

Sep. 8, 2005 (DE) 40504712

(51) **LOC (8) Cl.** **12-16**

(52) **U.S. Cl.** **D12/209**

(58) **Field of Classification Search** D12/204-213;
301/37.101, 64.101, 65
See application file for complete search history.

(56) **References Cited**

U.S. PATENT DOCUMENTS

D435,006 S * 12/2000 Brown D12/209

D437,819 S * 2/2001 Brown et al. D12/209
D454,527 S * 3/2002 Bhambra D12/209
D458,572 S * 6/2002 Fitzgerald D12/209
D474,139 S 5/2003 Warming
D475,960 S * 6/2003 Chung D12/209
D516,982 S * 3/2006 Gallert D12/209

* cited by examiner

Primary Examiner—Stacia Cadmus

(74) *Attorney, Agent, or Firm*—Crowell & Moring LLP

(57) **CLAIM**

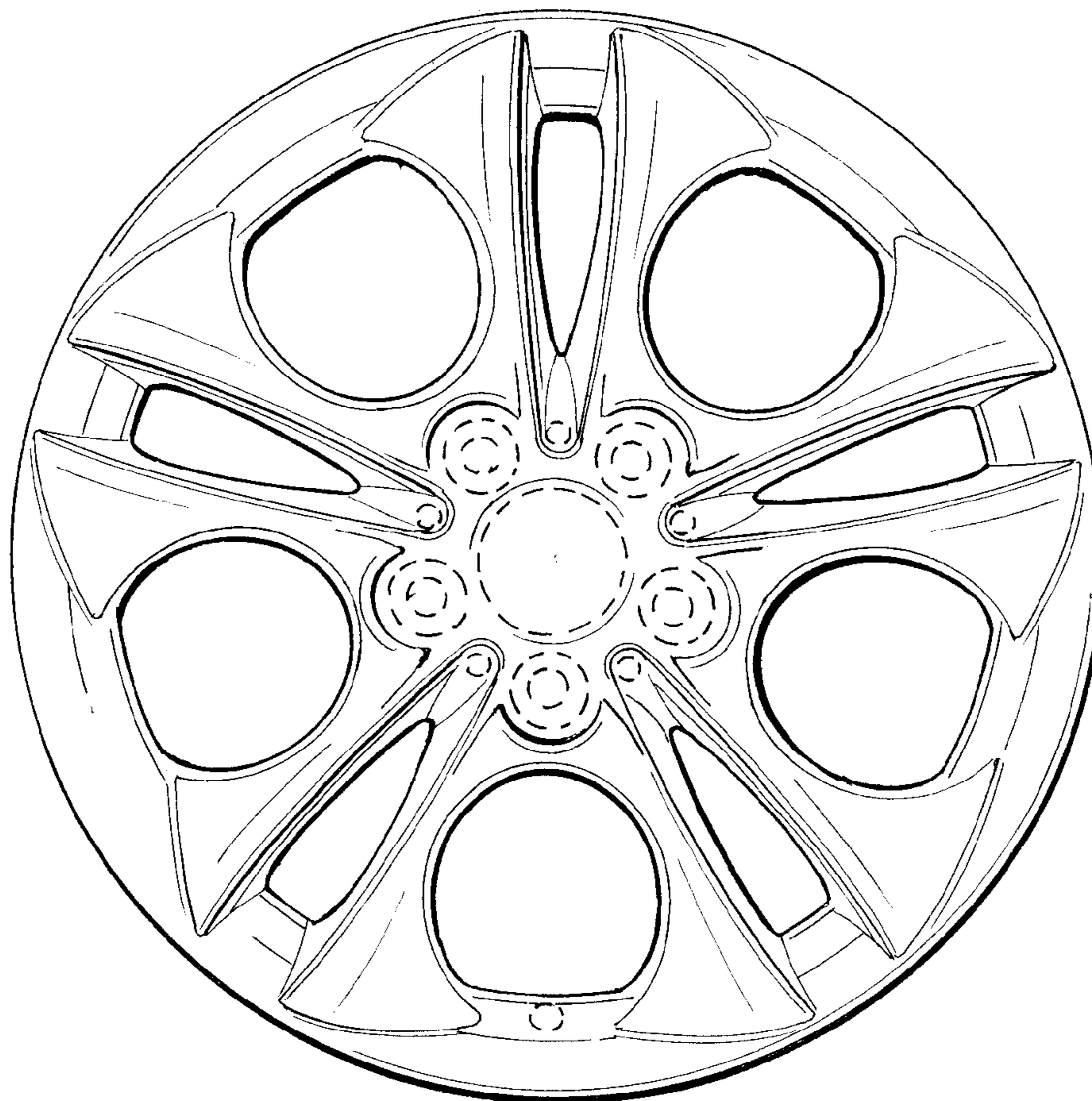
The ornamental design for a front face of a vehicle wheel,
as shown and described.

DESCRIPTION

FIG. 1 is a front view of a front face of a vehicle wheel
according to my novel design; and,
FIG. 2 is a perspective view thereof.

The broken lines are for illustrative purposes only and form
no part of the claimed design.

1 Claim, 1 Drawing Sheet



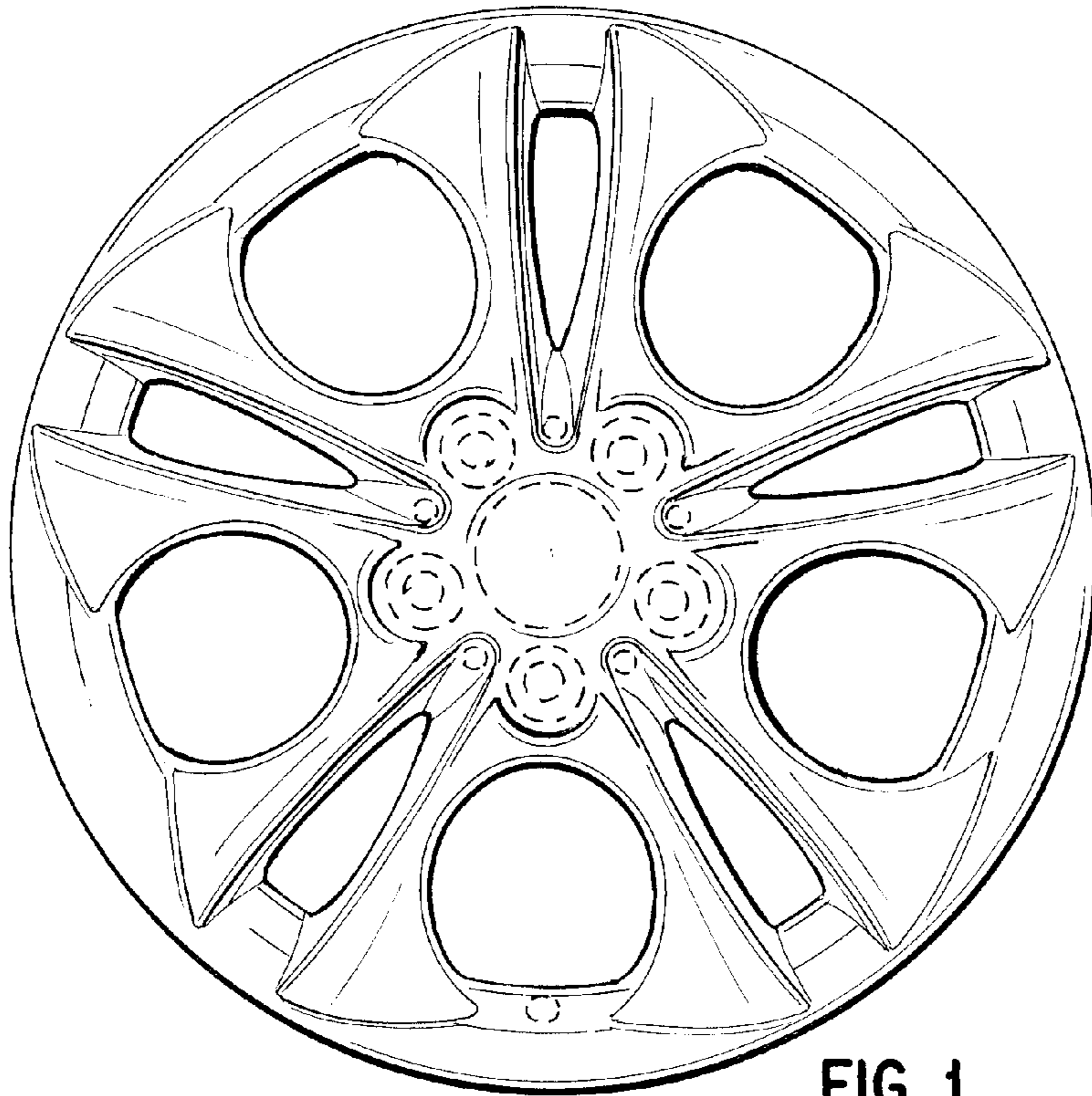


FIG. 1

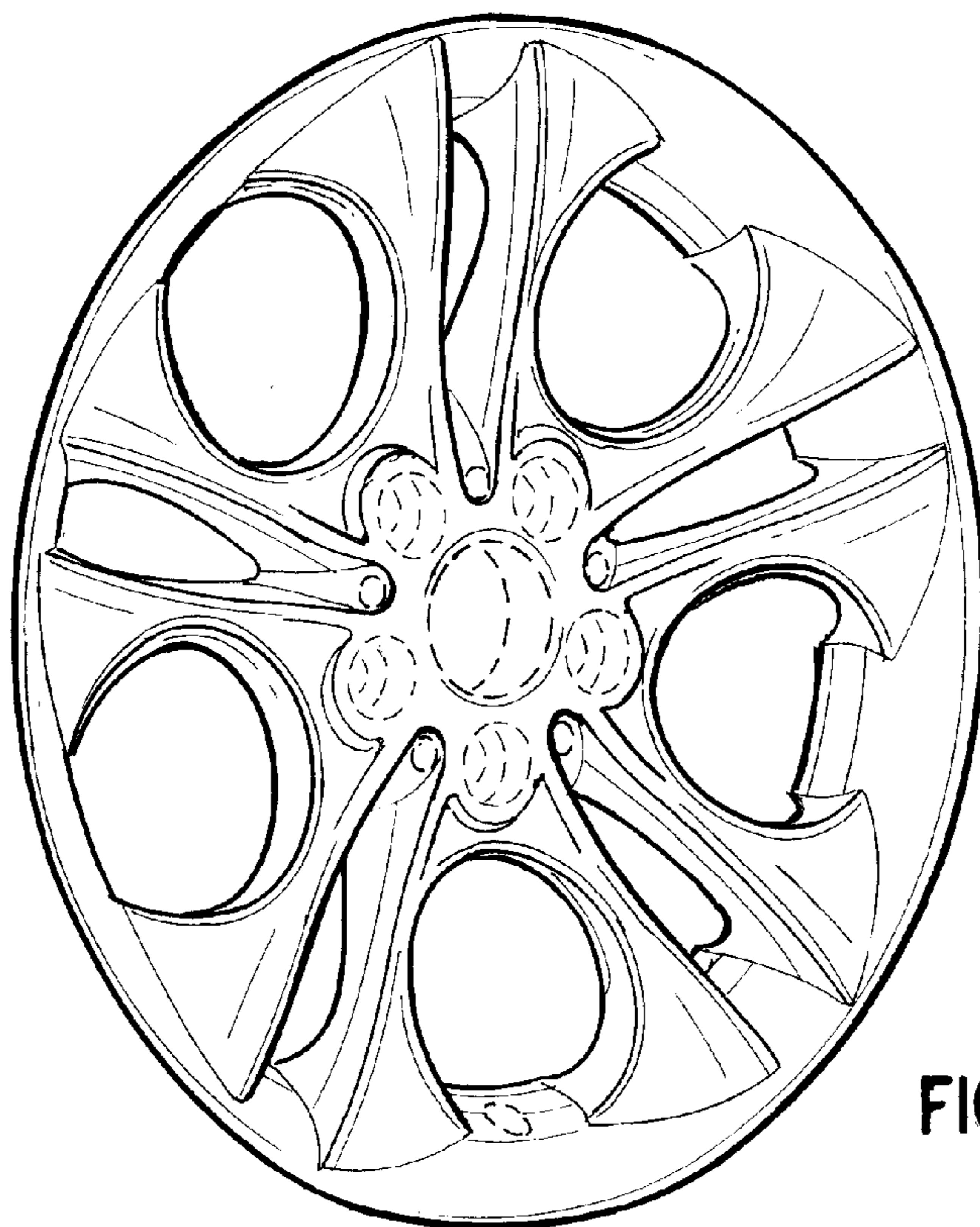


FIG. 2