



US00D531945S

(12) **United States Design Patent**
Saracoglu et al.

(10) **Patent No.:** **US D531,945 S**

(45) **Date of Patent:** **** Nov. 14, 2006**

(54) **SURFACE CONFIGURATION OF A REAR SPOILER FOR A VEHICLE**

(75) Inventors: **Hakan Saracoglu**, Stuttgart (DE);
Anthony-Robert Hatter, Weissach (DE)

(73) Assignee: **Dr. Ing. h.c.F. Porsche Aktiengesellschaft**, Stuttgart (DE)

(**) Term: **14 Years**

(21) Appl. No.: **29/258,849**

(22) Filed: **Apr. 28, 2006**

(30) **Foreign Application Priority Data**

Oct. 31, 2005 (EM) 000424643-0001

(51) **LOC (8) Cl.** **12-08**

(52) **U.S. Cl.** **D12/181**

(58) **Field of Classification Search** D12/181,
D12/191, 196, 400, 190, 86, 92; 280/727,
280/770, 848; 296/180.1-180.5, 91; 180/903
See application file for complete search history.

(56) **References Cited**

U.S. PATENT DOCUMENTS

D377,160 S	*	1/1997	Murkett	D12/181
D409,963 S	*	5/1999	Mobius et al.	D12/181
D435,817 S	*	1/2001	Lai	D12/181
D441,331 S	*	5/2001	Hatter	D12/181
D467,843 S	*	12/2002	Hatter	D12/181

D487,040 S	*	2/2004	Iwata	D12/181
D491,121 S	*	6/2004	Yokomaku	D12/181
D514,486 S	*	2/2006	Preuninger et al.	D12/181
D519,891 S	*	5/2006	Lai	D12/181
D519,892 S	*	5/2006	Kulla	D12/181

* cited by examiner

Primary Examiner—Stacia Cadmus

(74) *Attorney, Agent, or Firm*—Crowell & Moring LLP

(57) **CLAIM**

The ornamental design for a surface configuration of a rear spoiler for a vehicle, as shown and described.

DESCRIPTION

This application is related to the following co-pending application, of the inventors, filed on even date herewith: Application Ser. No. 29/258,582, entitled "Surface Configuration of a Vehicle, Toy, and/or Other Replicas".

FIG. 1 is a rear view of a surface configuration of a rear spoiler for a vehicle according to our novel design;

FIG. 2 is a top view thereof;

FIG. 3 is a left side view thereof, the right side view being mirror symmetrical;

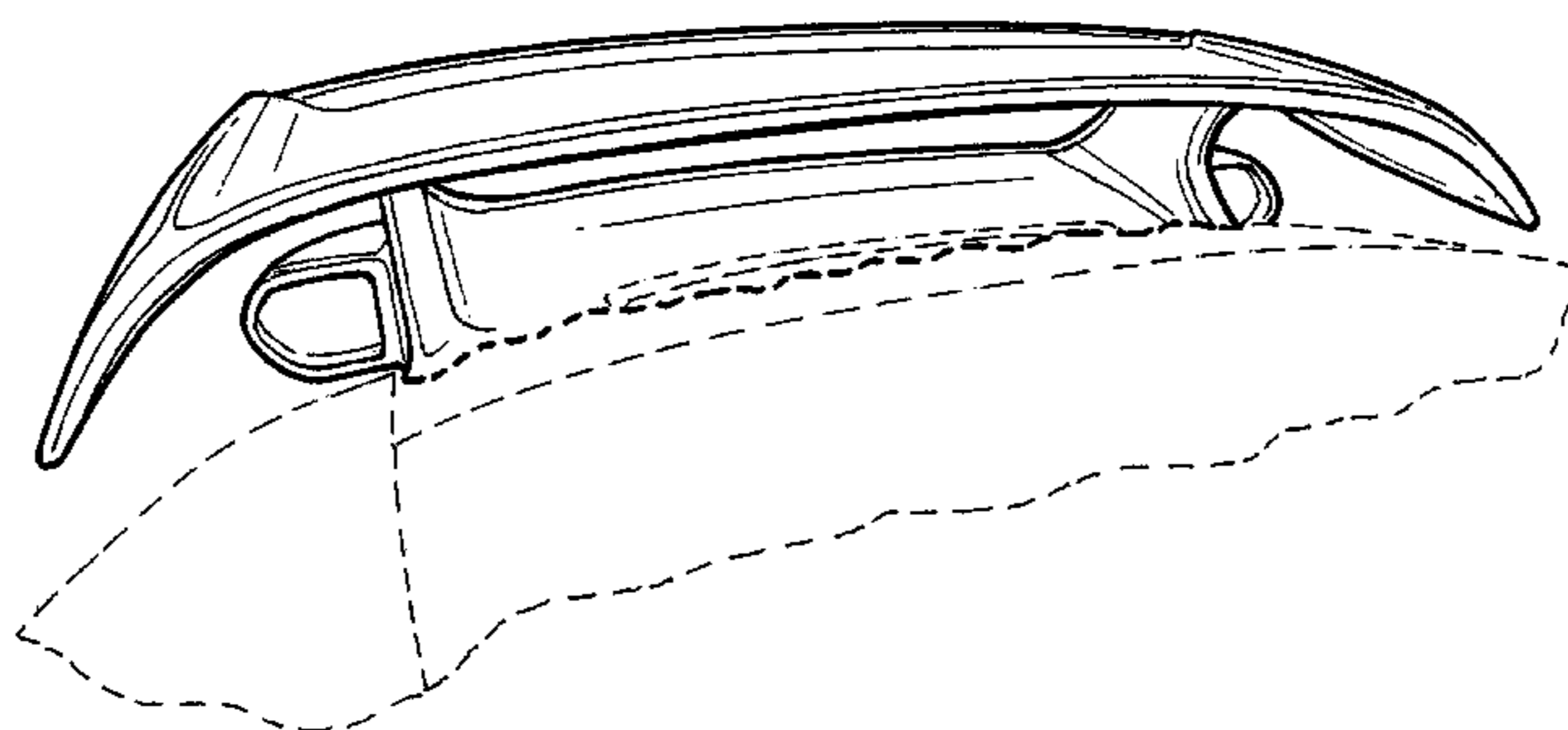
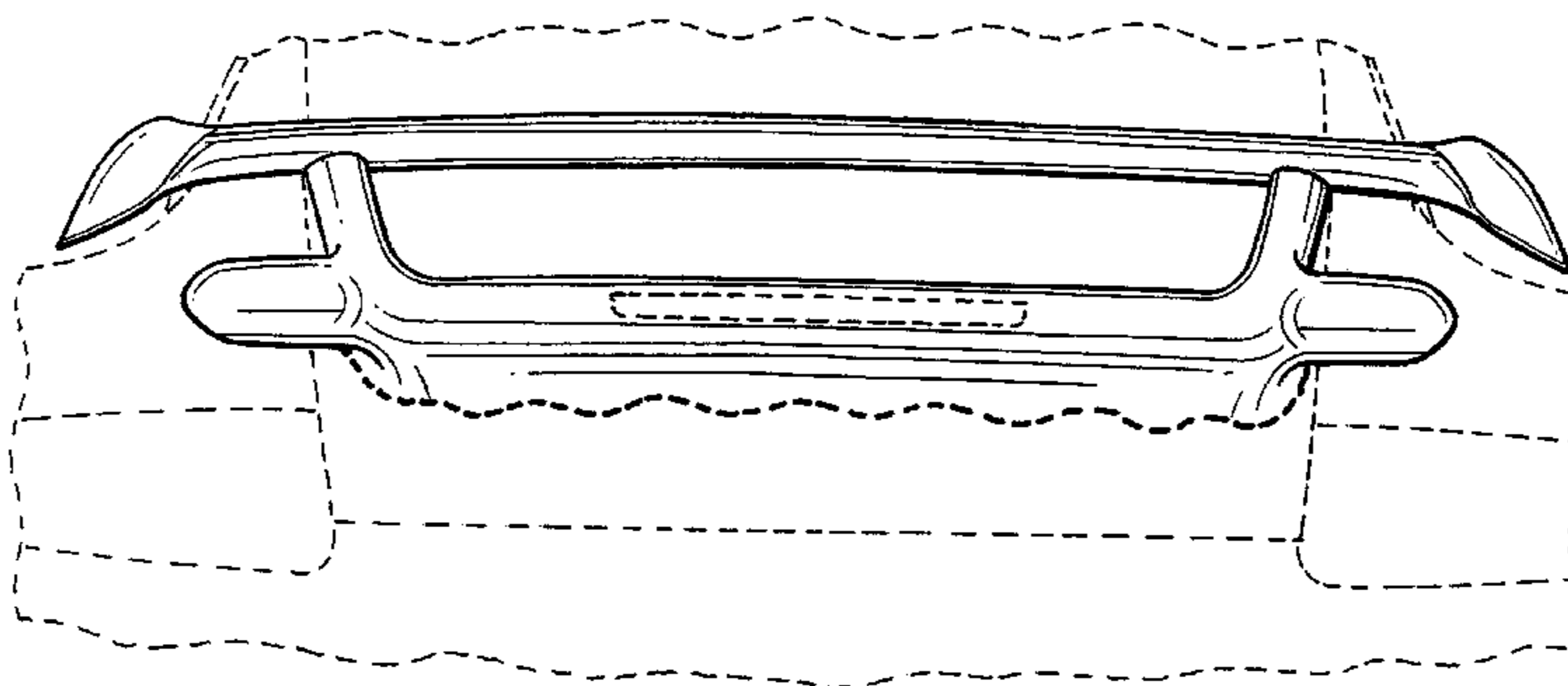
FIG. 4 is a front, right perspective view thereof, the front, left perspective view being mirror symmetrical;

FIG. 5 is a rear, left perspective view thereof; and,

FIG. 6 is a rear, right perspective view thereof.

The broken lines are for illustrative purposes only and form no part of the claimed design.

1 Claim, 4 Drawing Sheets



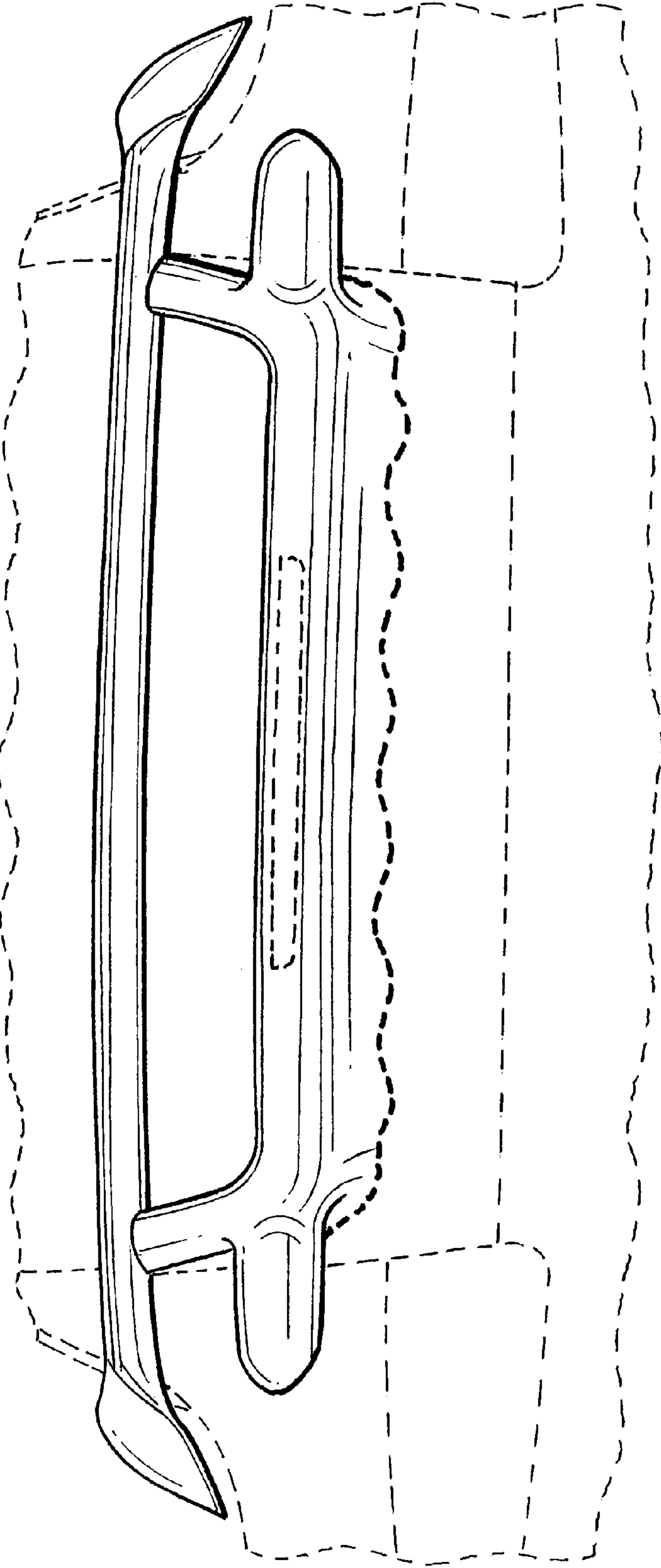


FIG. 1

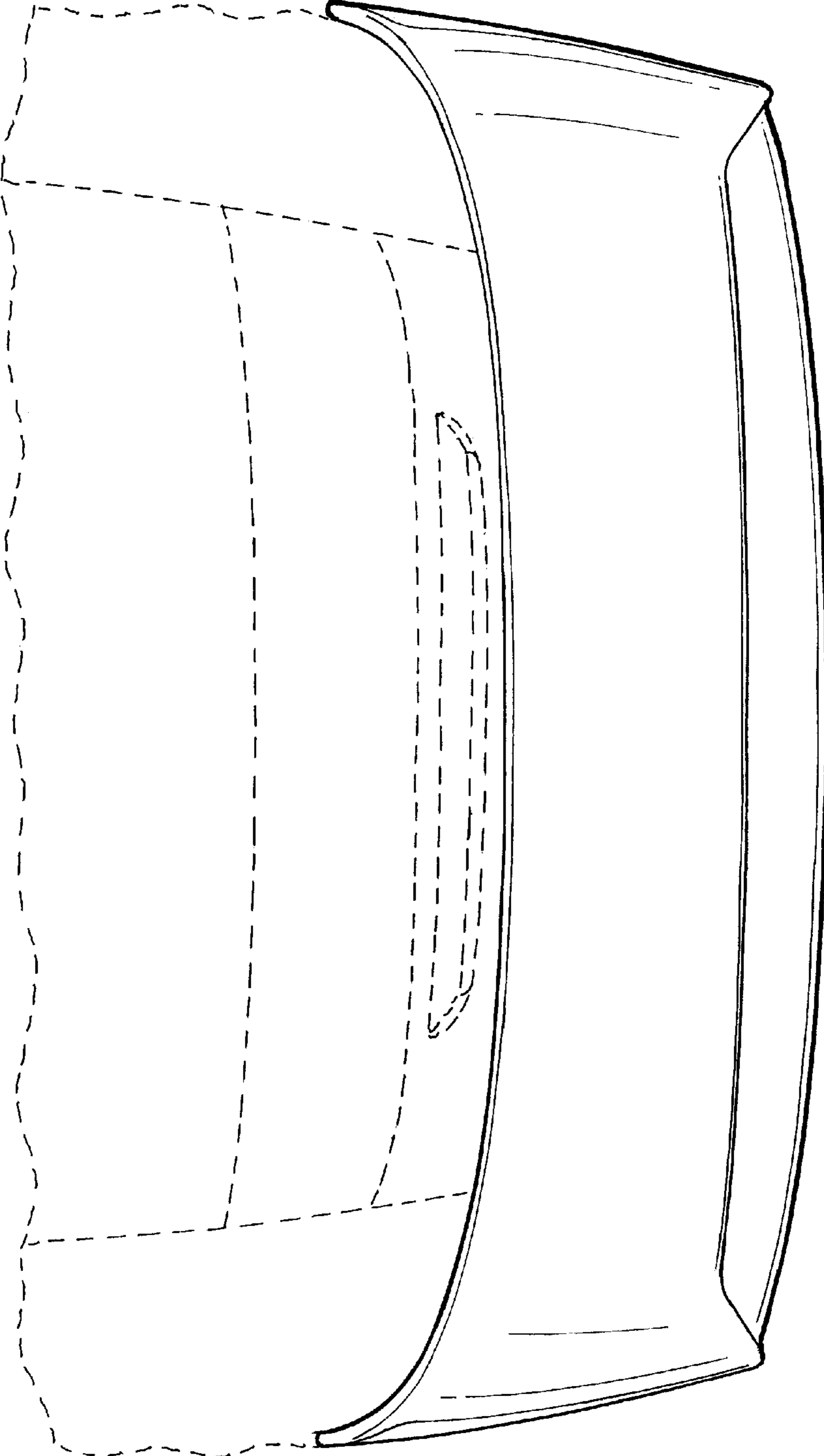


FIG. 2

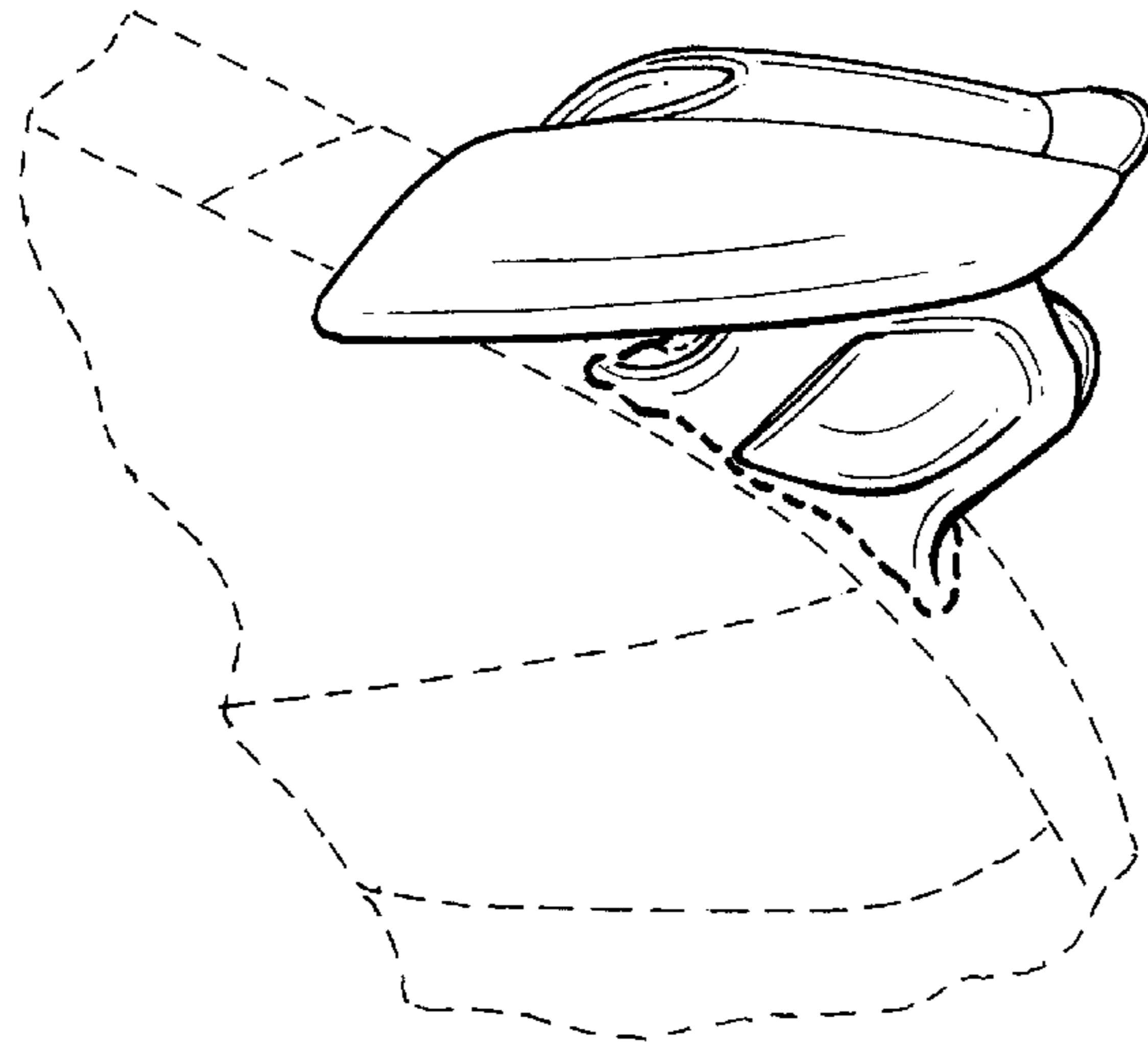


FIG. 3

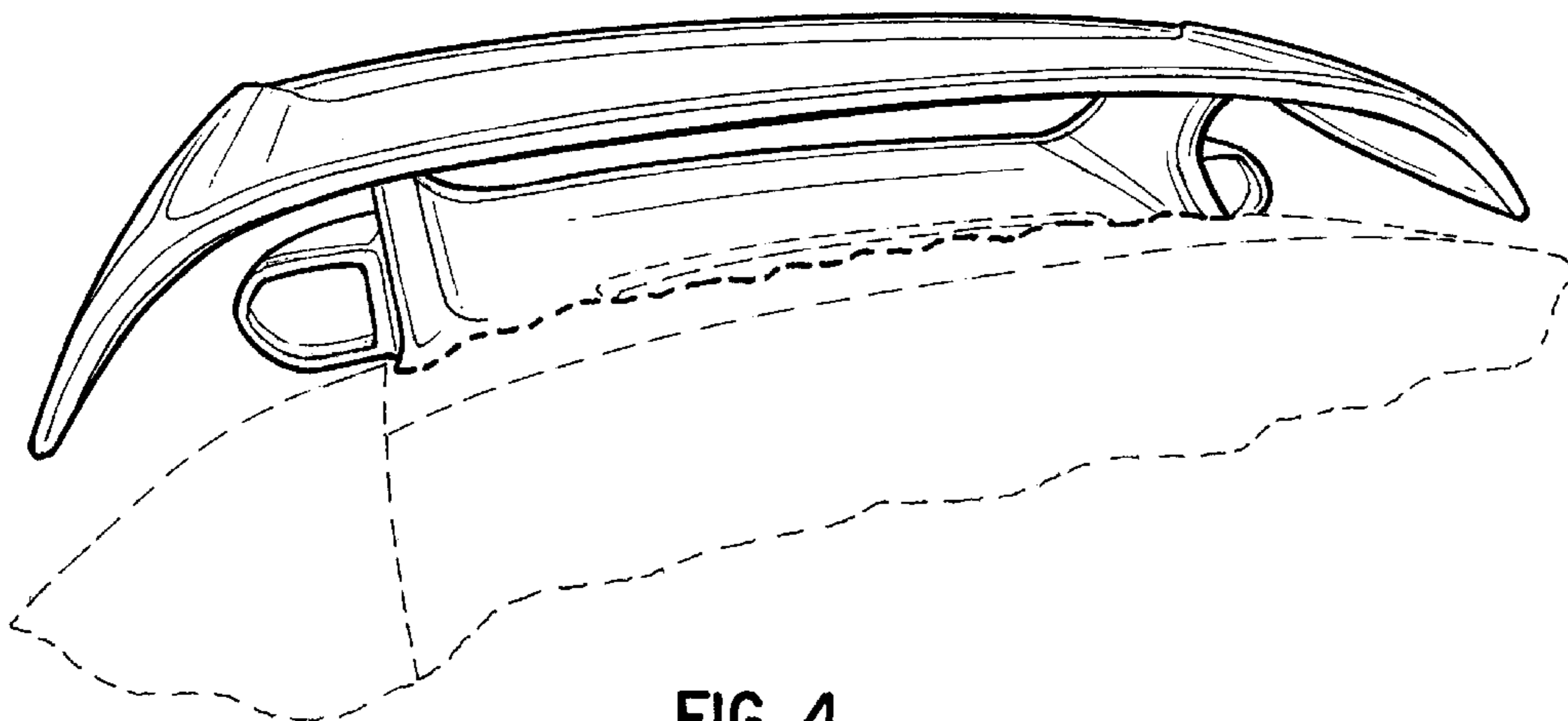


FIG. 4

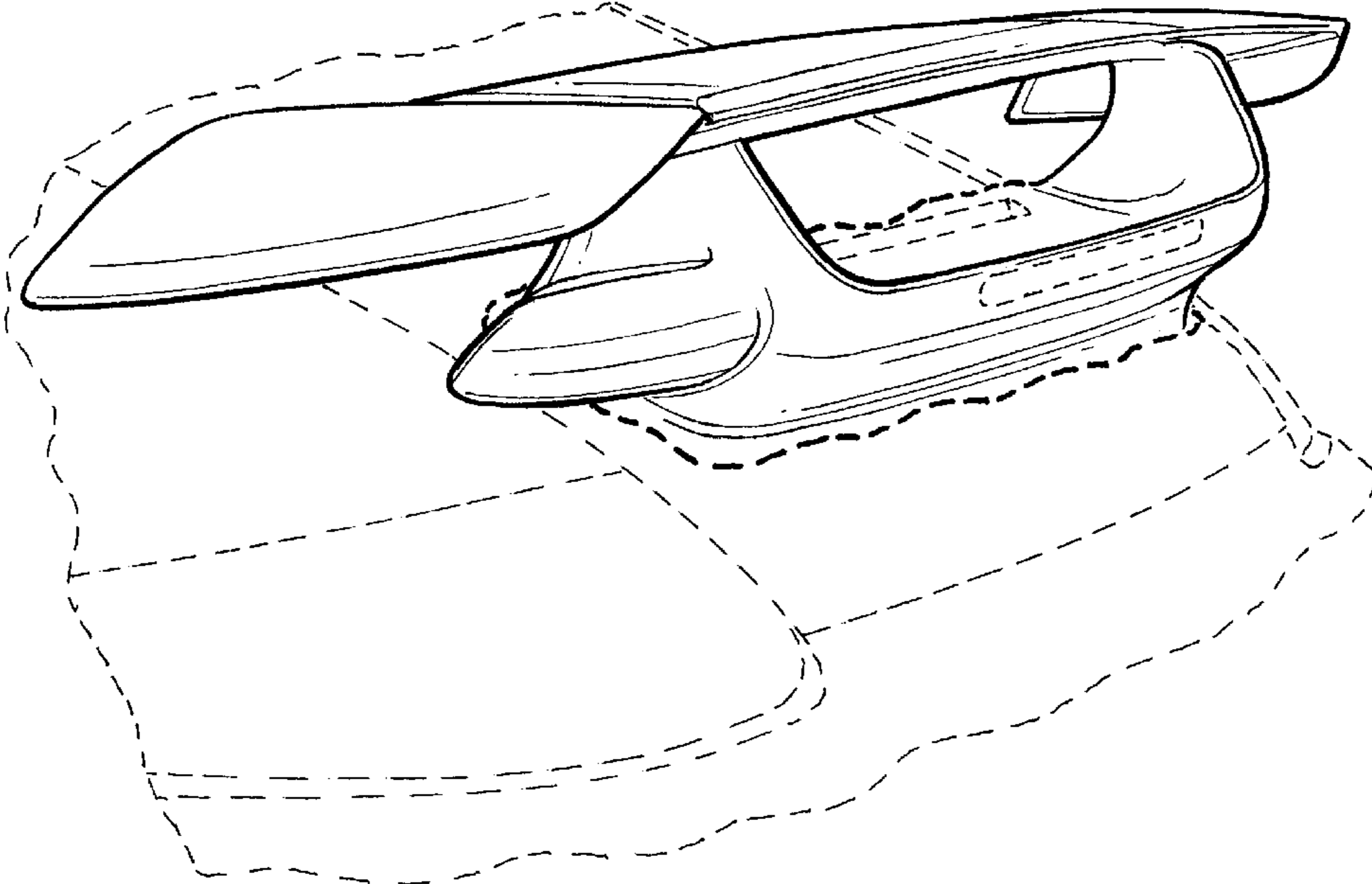


FIG. 5

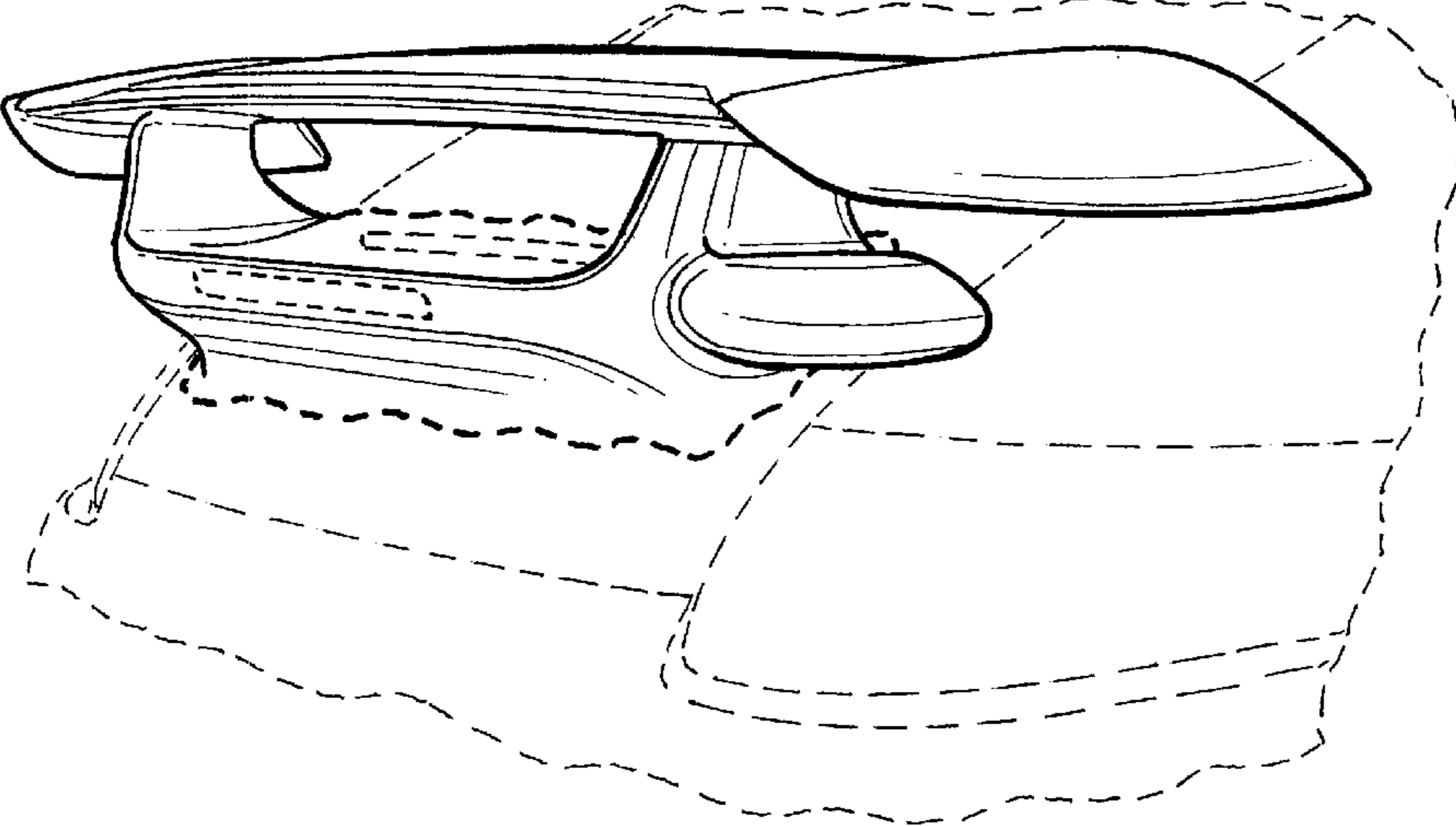


FIG. 6