



US00D531944S

(12) **United States Design Patent**  
**Okada**

(10) **Patent No.:** **US D531,944 S**

(45) **Date of Patent:** **\*\* Nov. 14, 2006**

(54) **BICYCLE SHIFTER**

(75) Inventor: **Shigekatsu Okada**, Osaka (JP)

(73) Assignee: **Shimano Inc.**, Osaka (JP)

(\*\*) Term: **14 Years**

(21) Appl. No.: **29/245,575**

(22) Filed: **Dec. 27, 2005**

(51) **LOC (8) Cl.** ..... **12-16**

(52) **U.S. Cl.** ..... **D12/179**

(58) **Field of Classification Search** ..... D12/111,  
D12/179; 74/489, 502.2, 523, 551.8, 551.9,  
74/575, 527, 473.12, 473.13, 473.14  
See application file for complete search history.

(56) **References Cited**

**PUBLICATIONS**

Colorado Cyclist Early Fall 2000, SRAM 9.0 Linear Pull Brake Lever on p. 15.\*

U.S. Appl. No. 29/231,421, filed Jun. 6, 2005, Tomoaki Mabuchi.

Shimano 2003 bicycle components trade sales & support manual, catalog, 2003,ST-EF 35 & ST-EF 29, 4 pages, USA.

\* cited by examiner

*Primary Examiner*—Alan P. Douglas

*Assistant Examiner*—Linda Brooks

(74) *Attorney, Agent, or Firm*—Global IP Counselors, LLP

(57) **CLAIM**

The ornamental design for a bicycle shifter, as shown and described.

**DESCRIPTION**

FIG. 1 is an inside perspective view of a bicycle shifter in accordance with my new design;

FIG. 2 is a top plan view of the bicycle shifter in accordance with my new design;

FIG. 3 is a bottom plan view of the bicycle shifter in accordance with my new design.

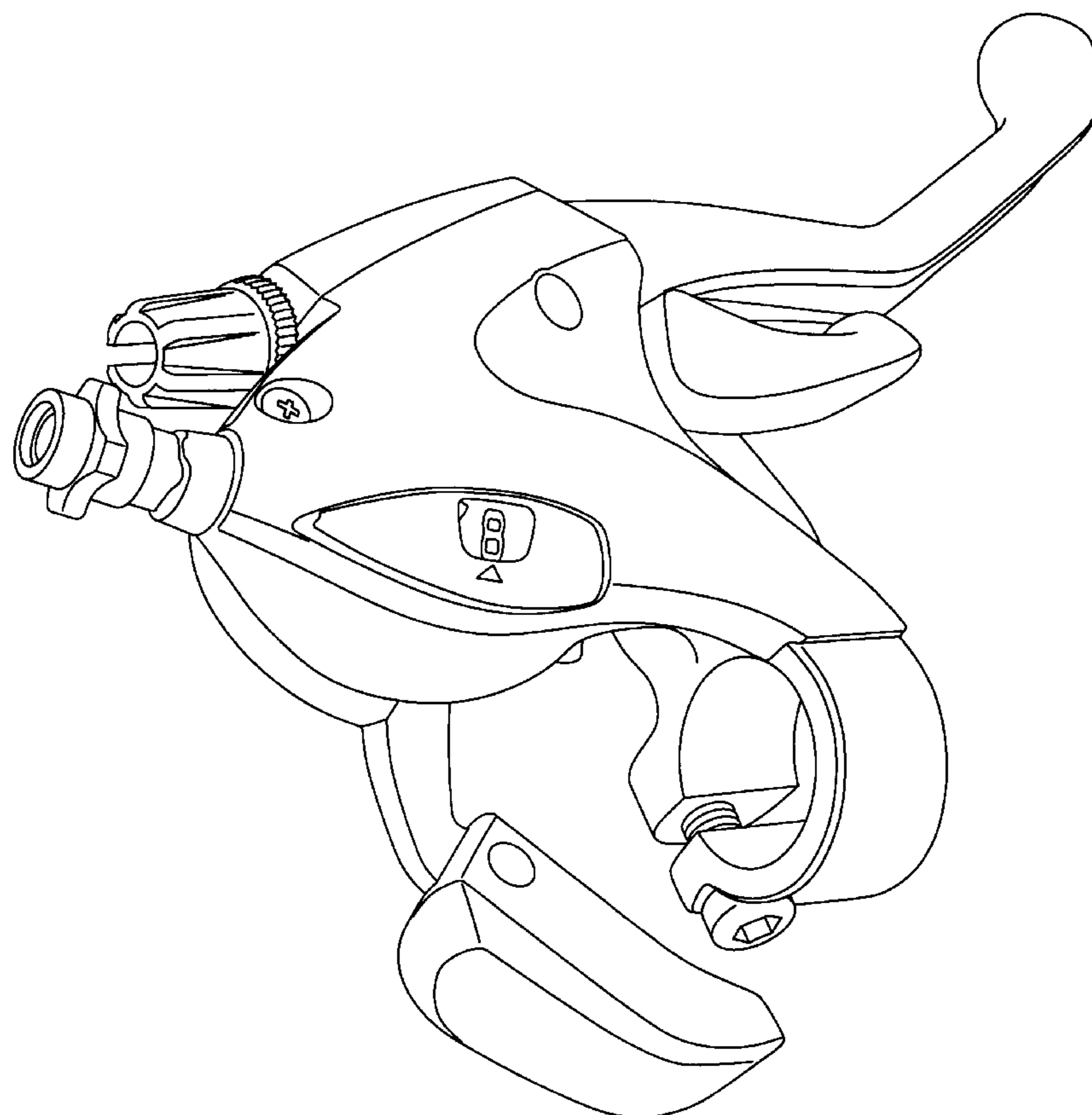
FIG. 4 is a rear end elevational view of the bicycle shifter in accordance with my new design;

FIG. 5 is a front end elevational view of the bicycle shifter in accordance with my new design;

FIG. 6 is an inside elevational view of the bicycle shifter in accordance with my new design; and,

FIG. 7 is an outside elevational view of the bicycle shifter in accordance with my new design.

**1 Claim, 4 Drawing Sheets**



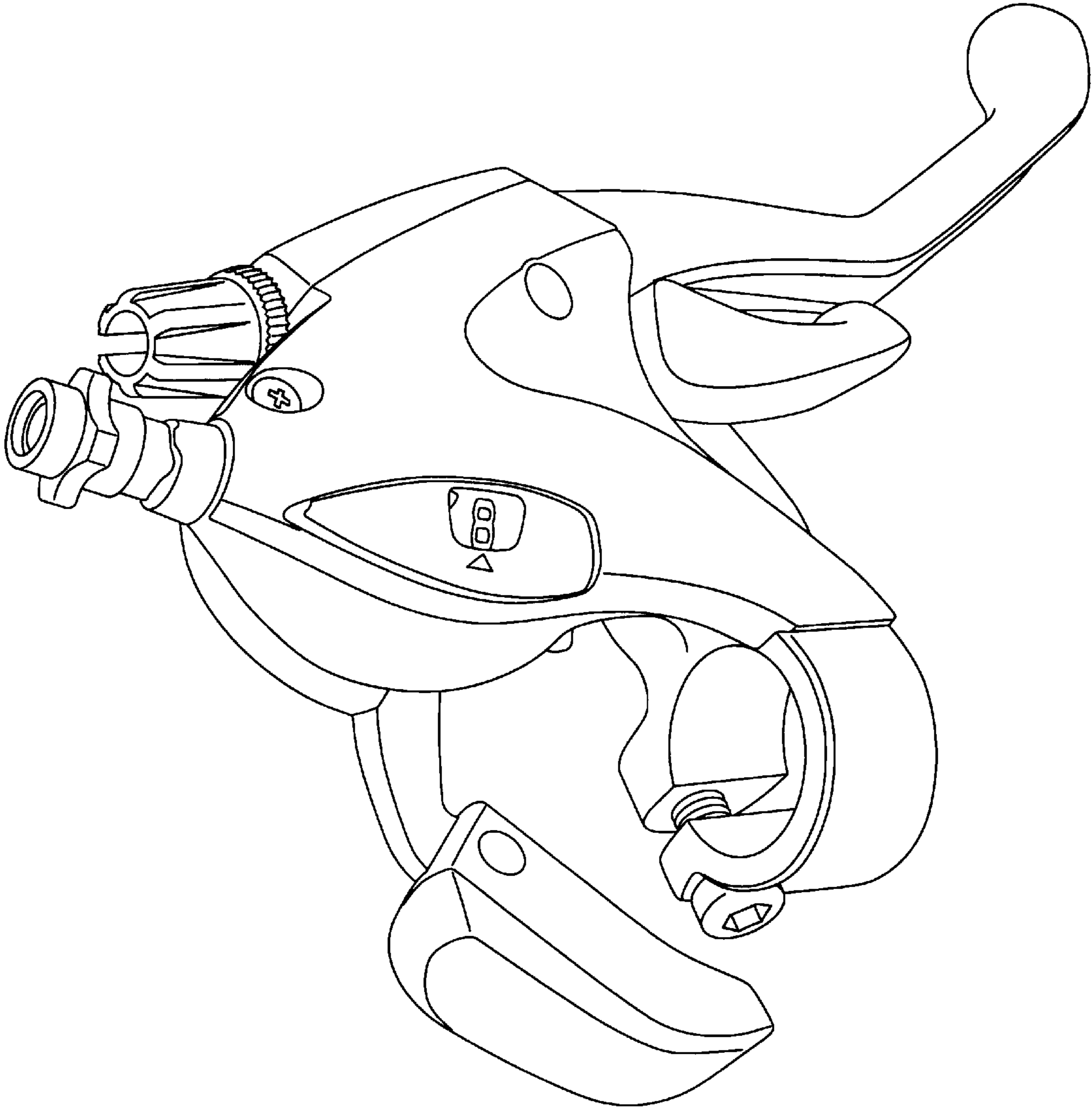


FIG. 1

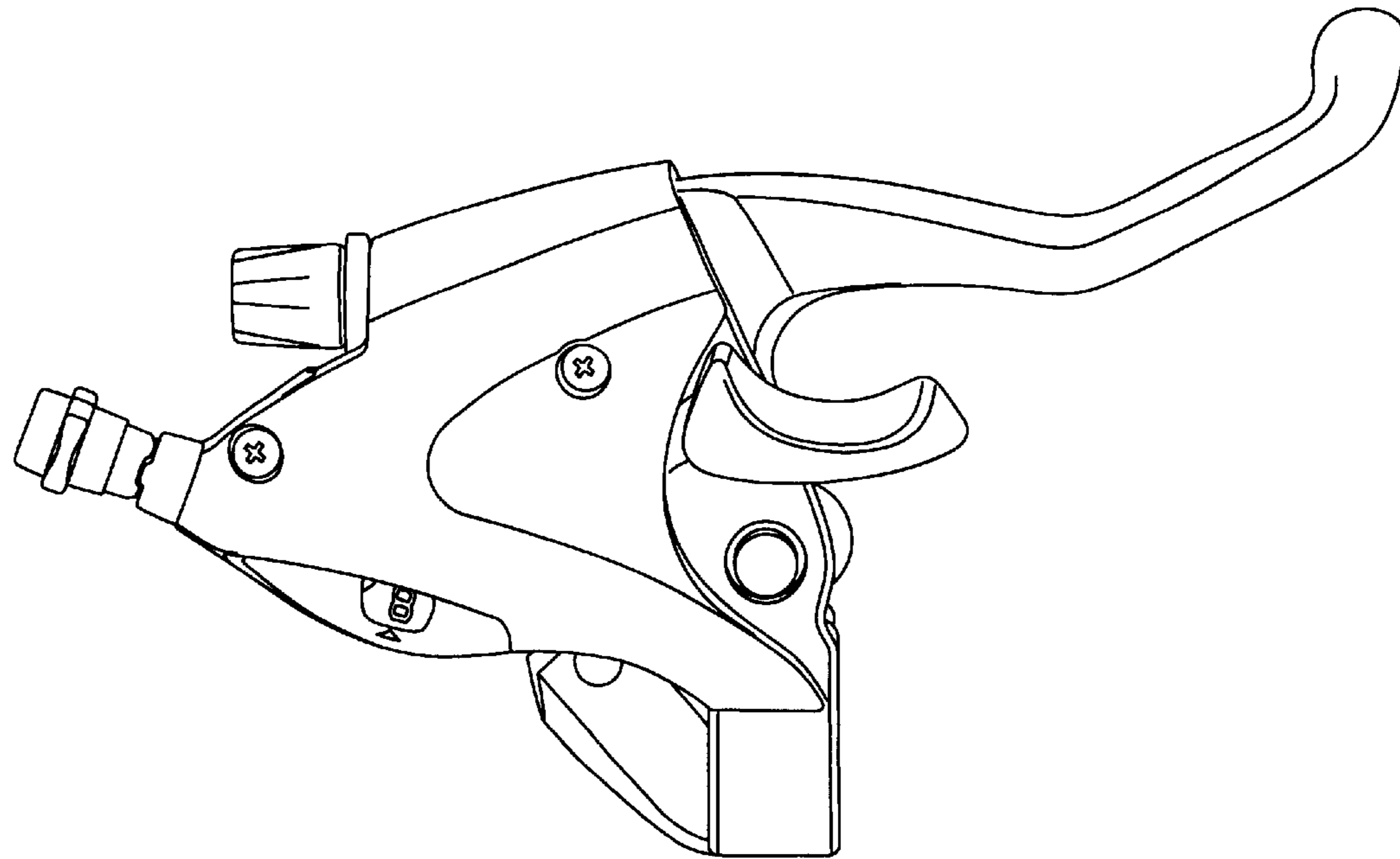


FIG. 2

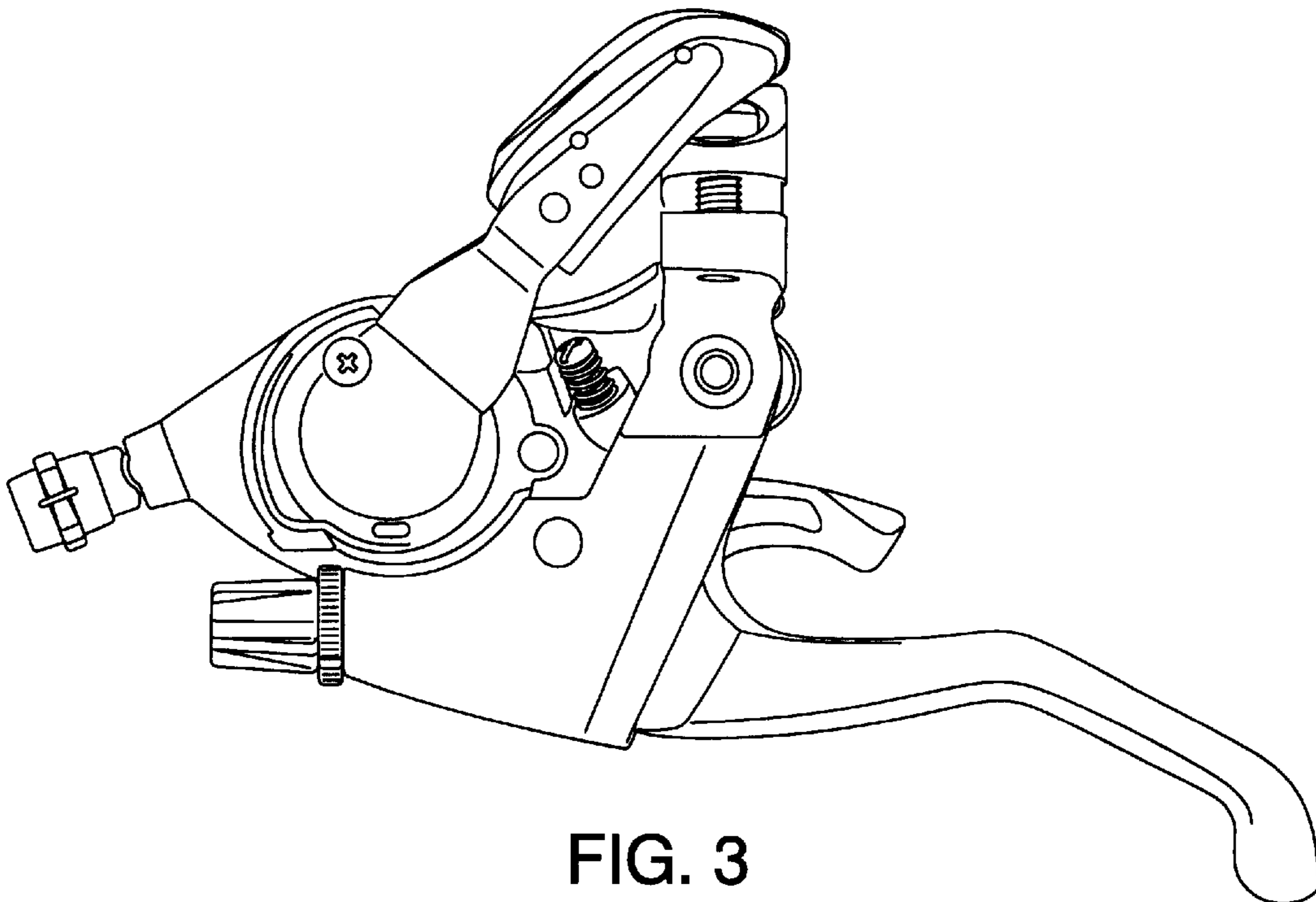


FIG. 3

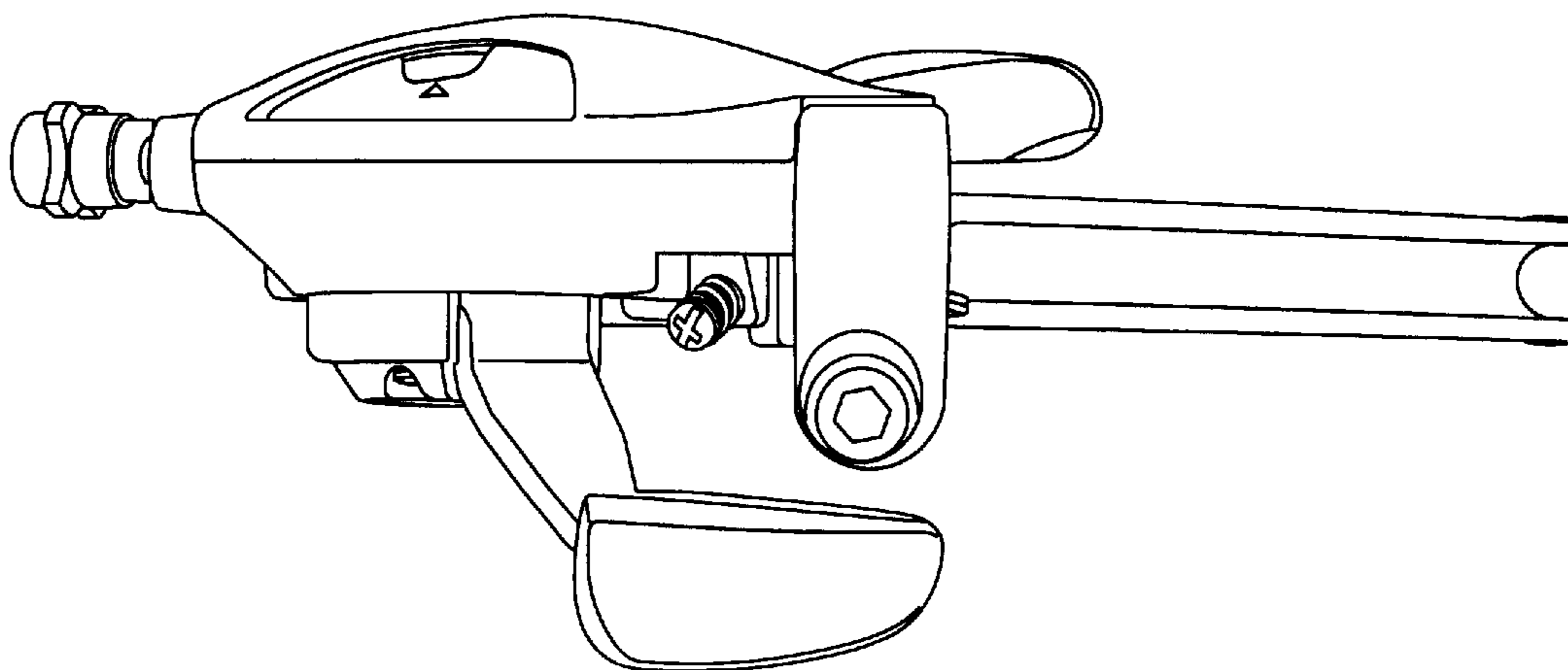


FIG. 4

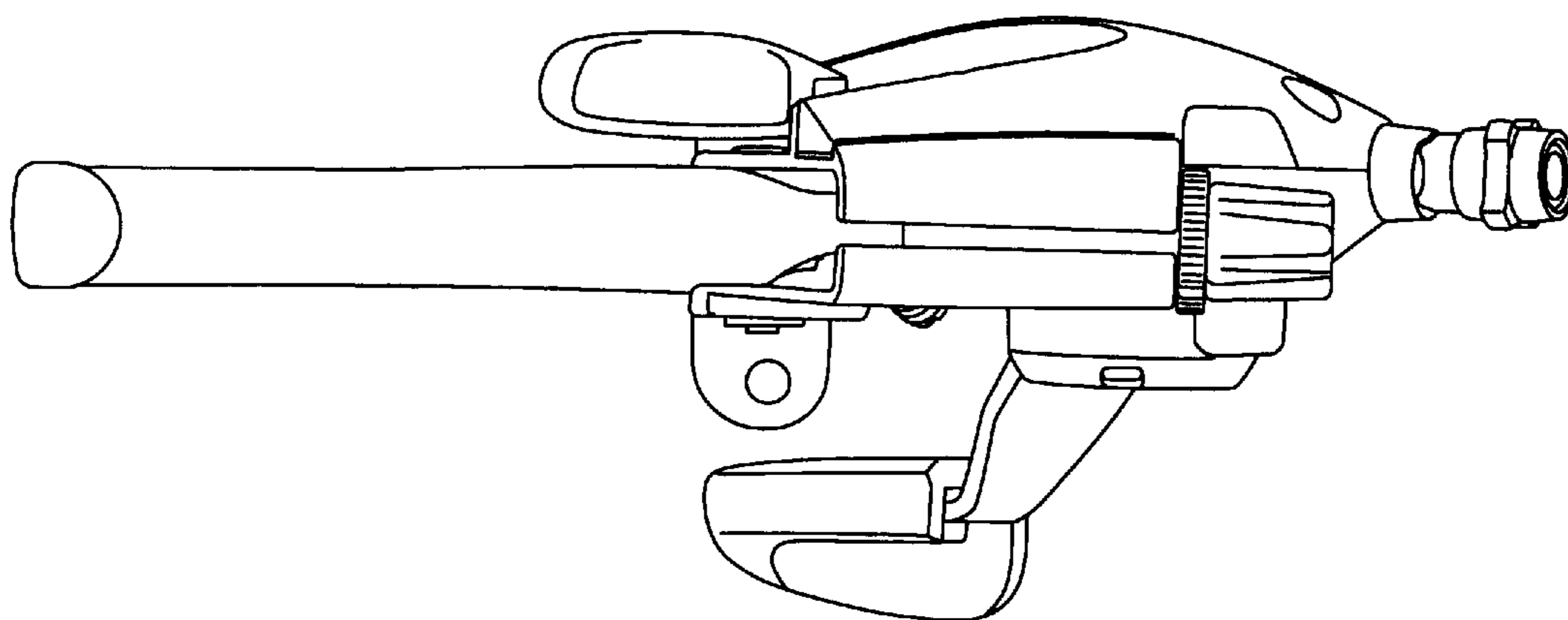


FIG. 5

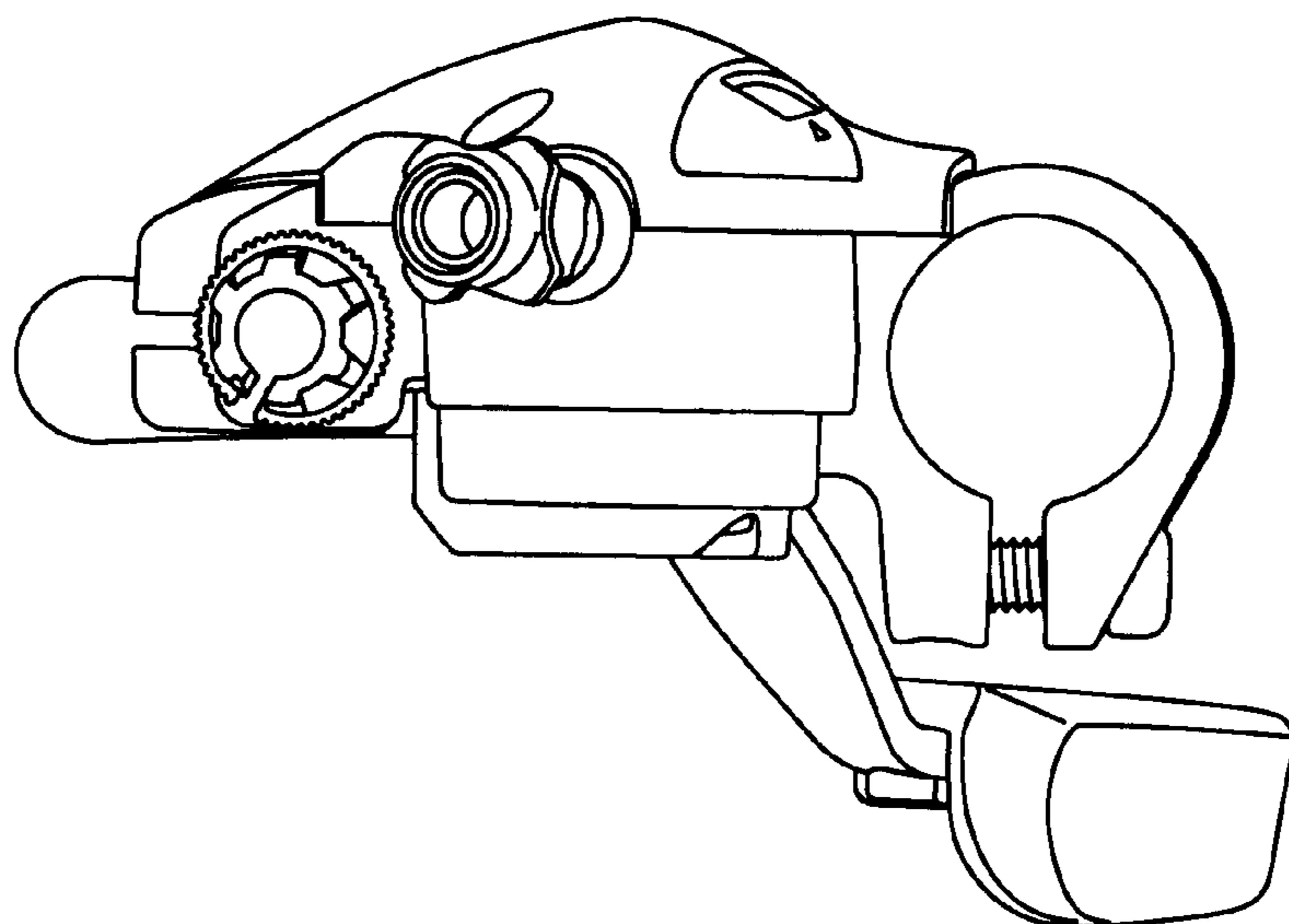


FIG. 6

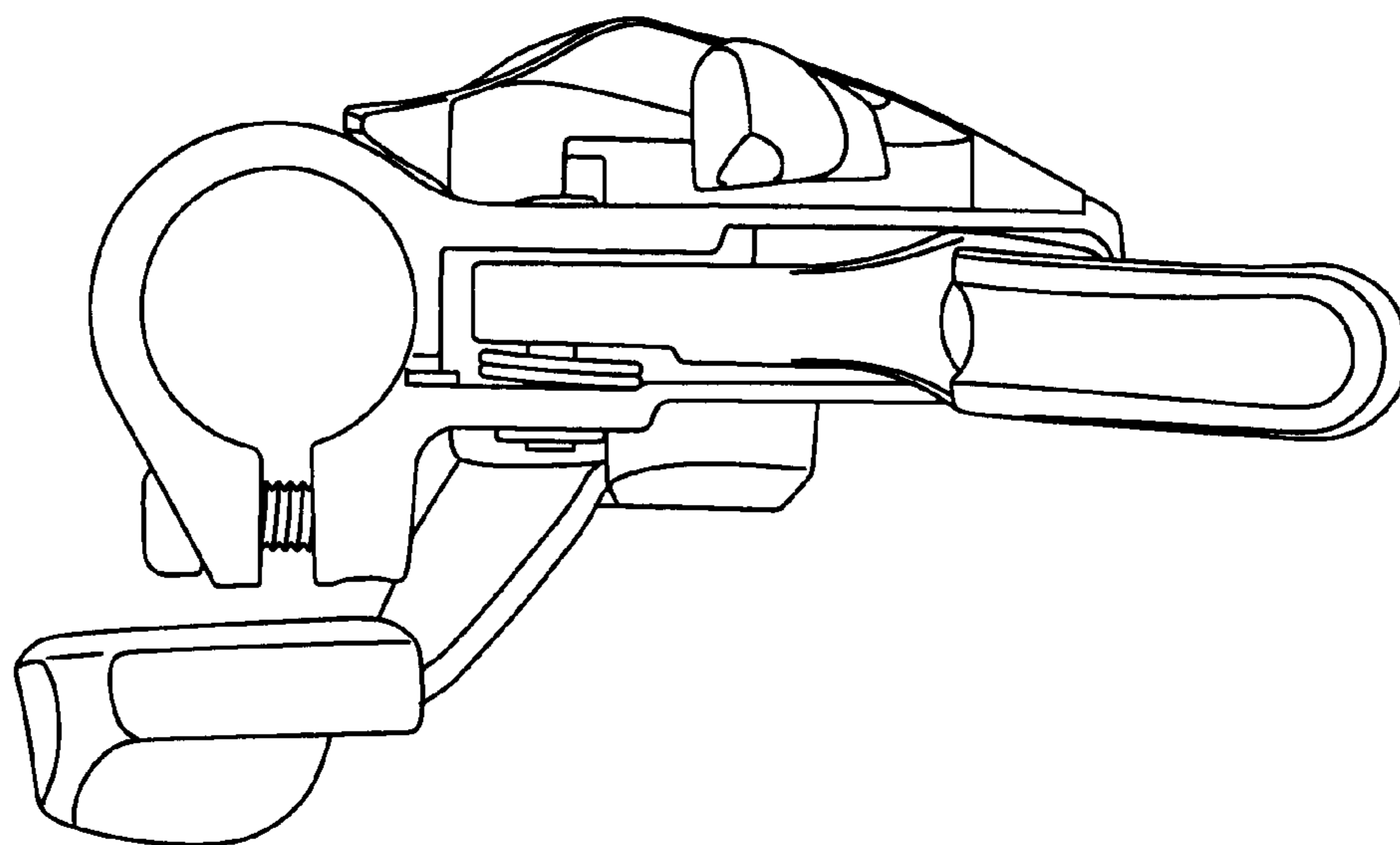


FIG. 7