



US00D531943S

(12) **United States Design Patent**
Kapffenstein

(10) **Patent No.:** **US D531,943 S**

(45) **Date of Patent:** **** Nov. 14, 2006**

(54) **SURFACE CONFIGURATION OF A GEARSHIFT**

D484,078 S * 12/2003 Hartono et al. D12/179
D492,629 S * 7/2004 Hartono et al. D12/179
D496,894 S * 10/2004 Liao D12/179
D496,895 S * 10/2004 Chen D12/179

(75) Inventor: **Theo Kapffenstein**, Murr (DE)

* cited by examiner

(73) Assignee: **Dr. Ing. h.c.F. Porsche Aktiengesellschaft**, Stuttgart (DE)

Primary Examiner—Melody N. Brown
(74) *Attorney, Agent, or Firm*—Crowell & Moring LLP

(**) Term: **14 Years**

(57) **CLAIM**

(21) Appl. No.: **29/241,140**

The ornamental design for a surface configuration of a gearshift, as shown and described.

(22) Filed: **Oct. 25, 2005**

DESCRIPTION

(30) **Foreign Application Priority Data**

Apr. 28, 2005 (EM) 000335799-0001

FIG. 1 is a right, rear perspective view of a surface configuration of a gearshift according to my novel design, the left, rear perspective view being mirror symmetrical;
FIG. 2 is a front view thereof;
FIG. 3 is a rear view thereof;
FIG. 4 is a left side view thereof;
FIG. 5 is a right side view thereof; and,
FIG. 6 is a top view thereof.
The broken lines are for illustrative purposes only and form no part of the claimed design.

(51) **LOC (8) Cl.** **12-16**

(52) **U.S. Cl.** **D12/179**

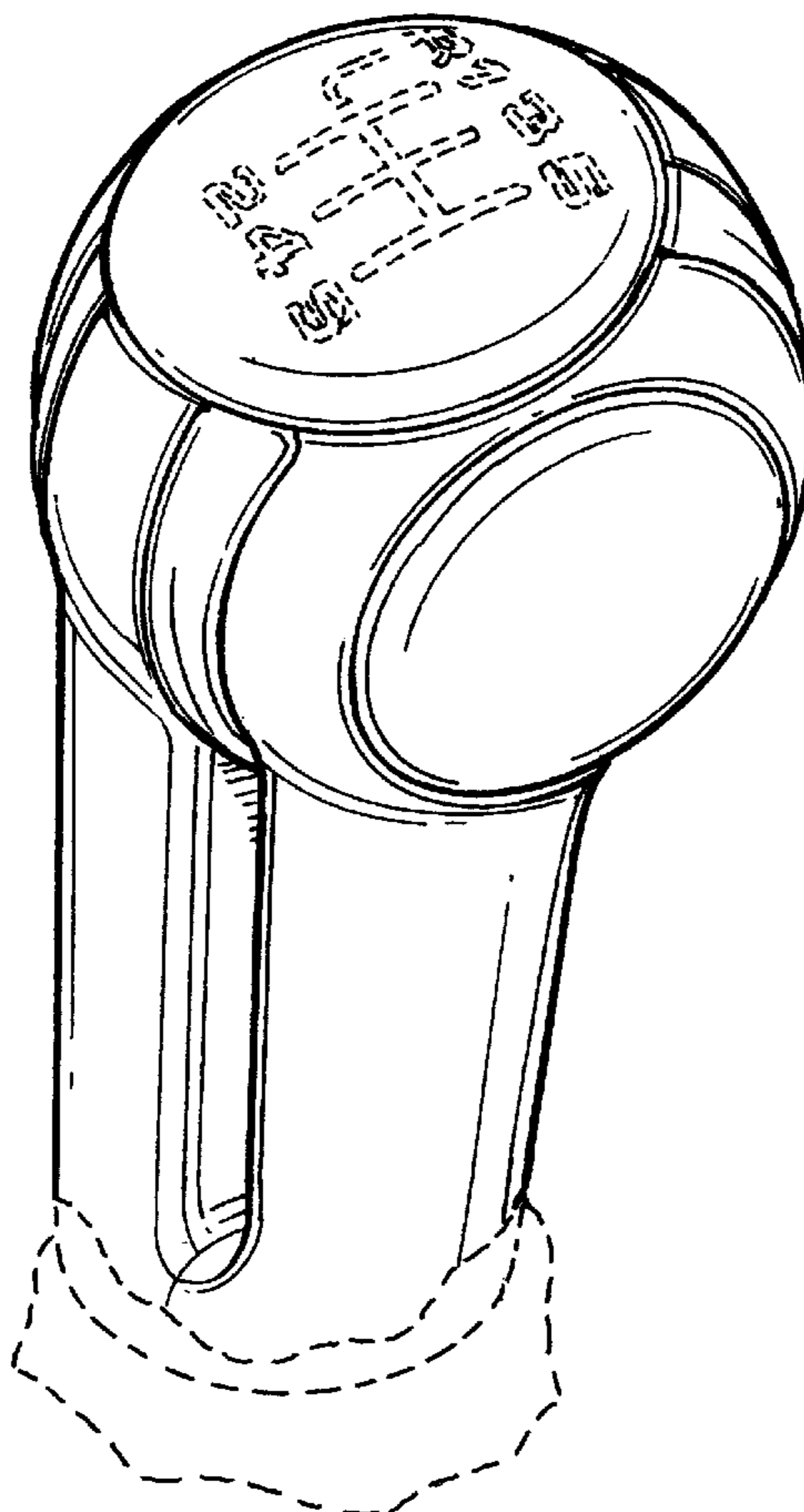
(58) **Field of Classification Search** D12/179;
D8/303; 74/475, 489, 523, 473.1
See application file for complete search history.

(56) **References Cited**

U.S. PATENT DOCUMENTS

D469,724 S * 2/2003 Ramos et al. D12/179

1 Claim, 3 Drawing Sheets



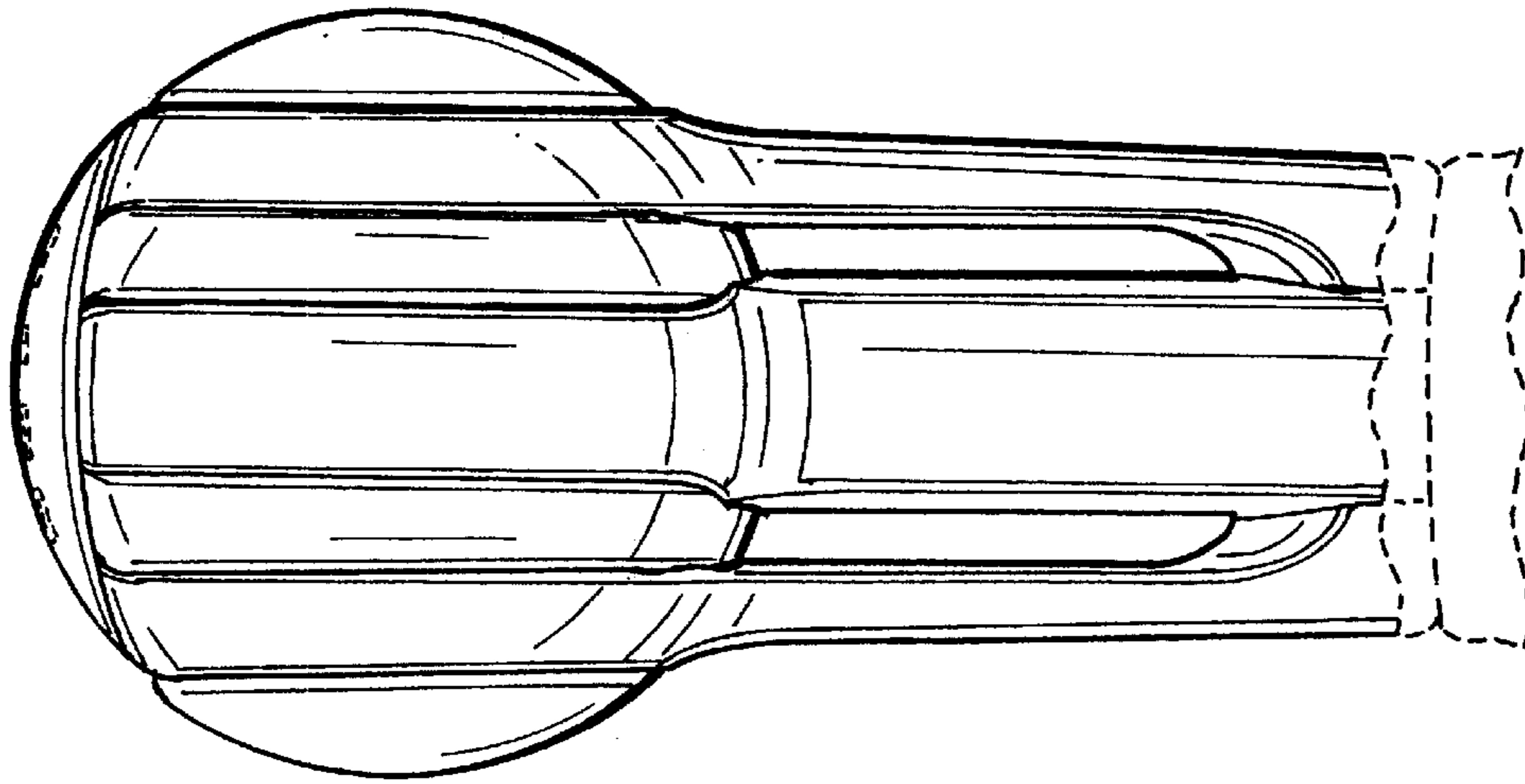


FIG. 2

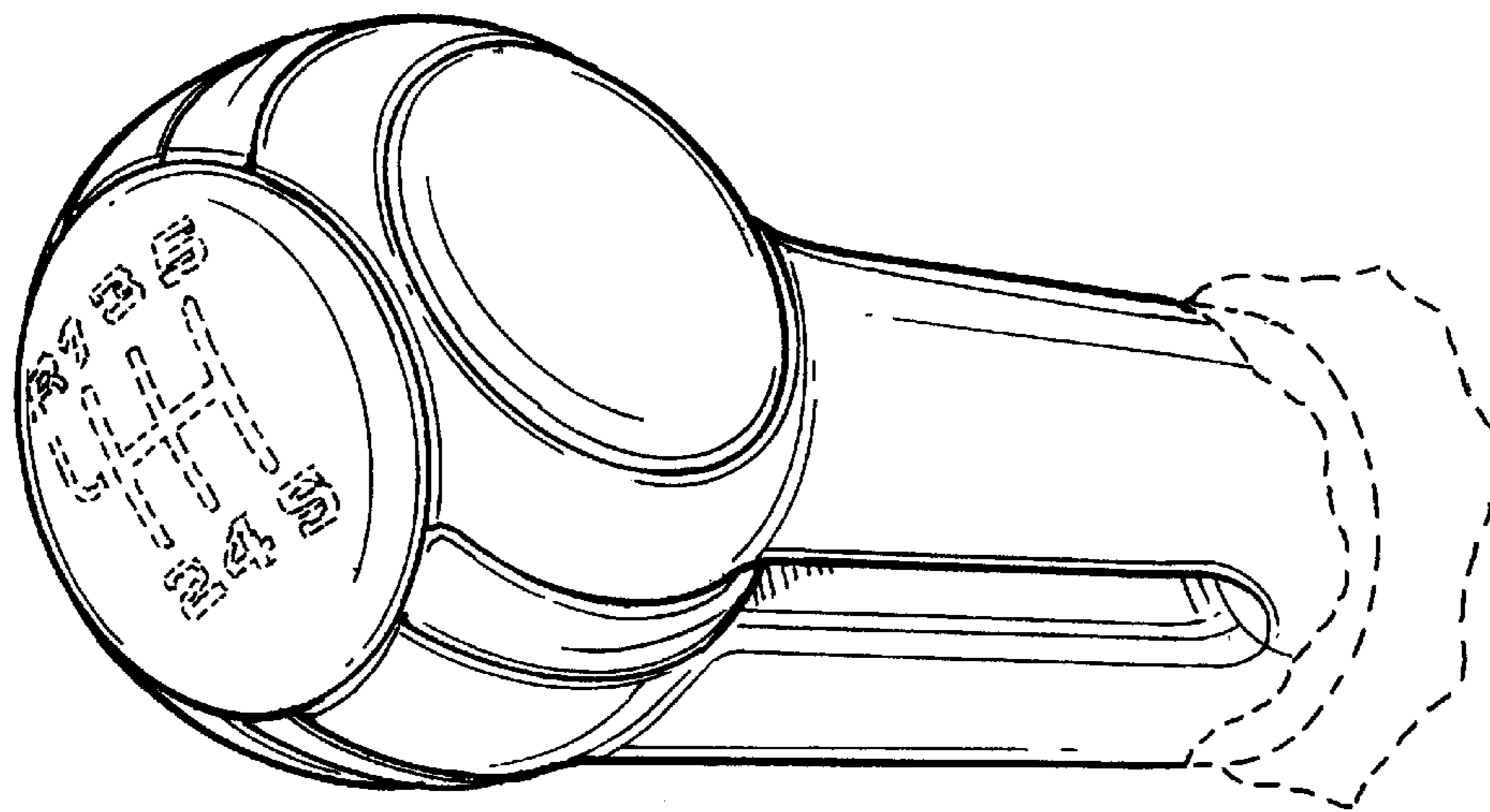


FIG. 1

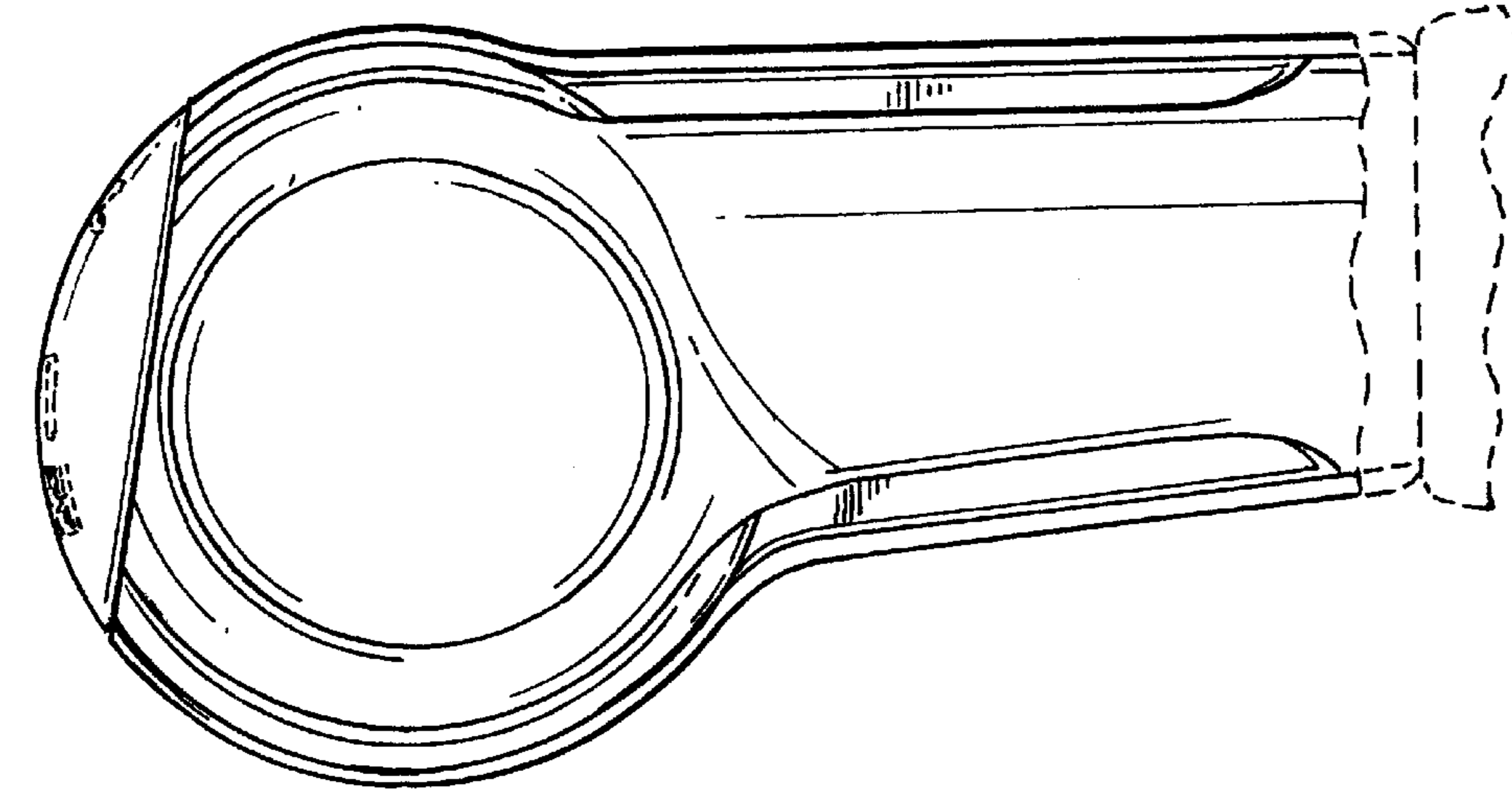


FIG. 3

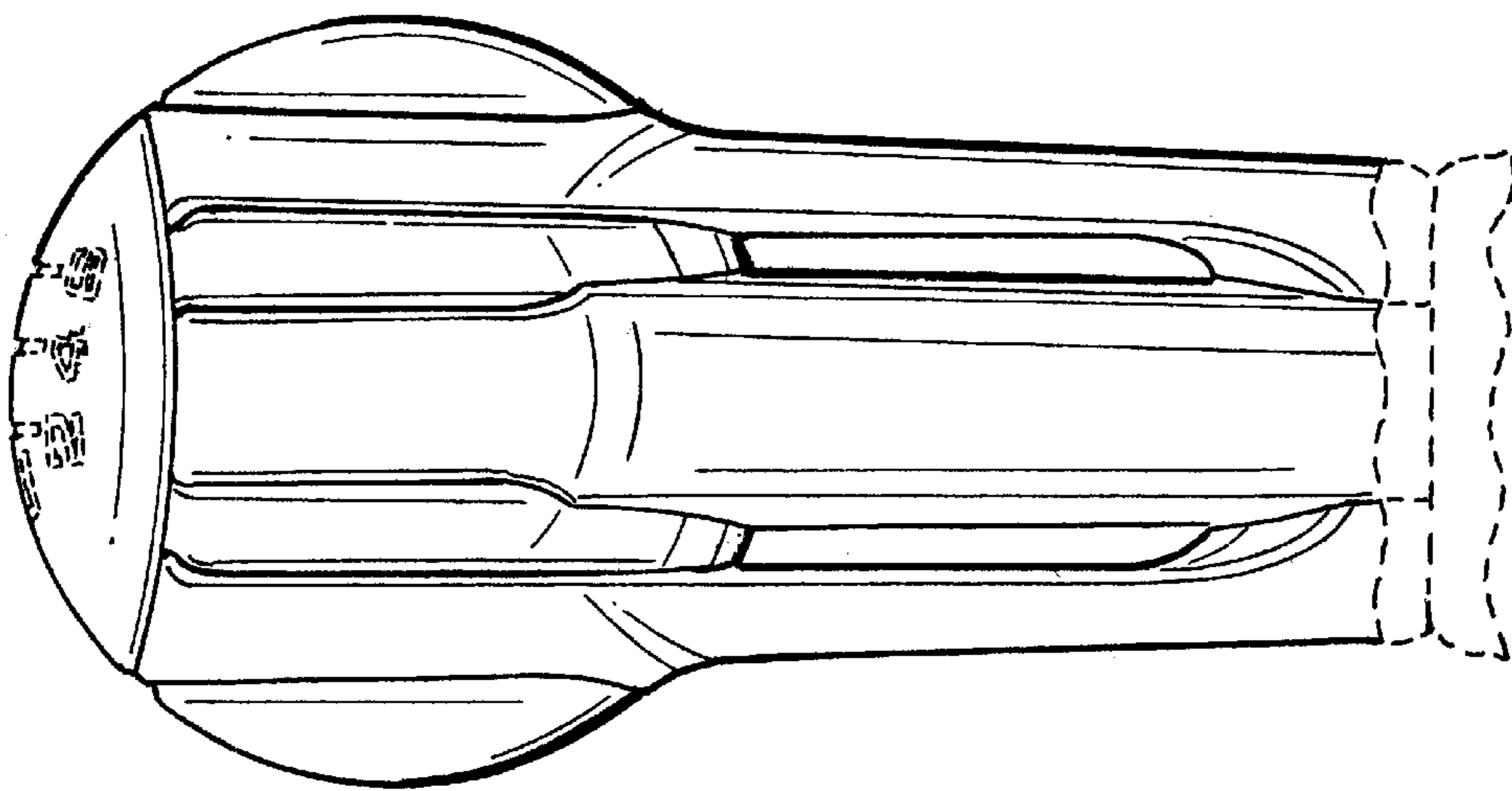


FIG. 4

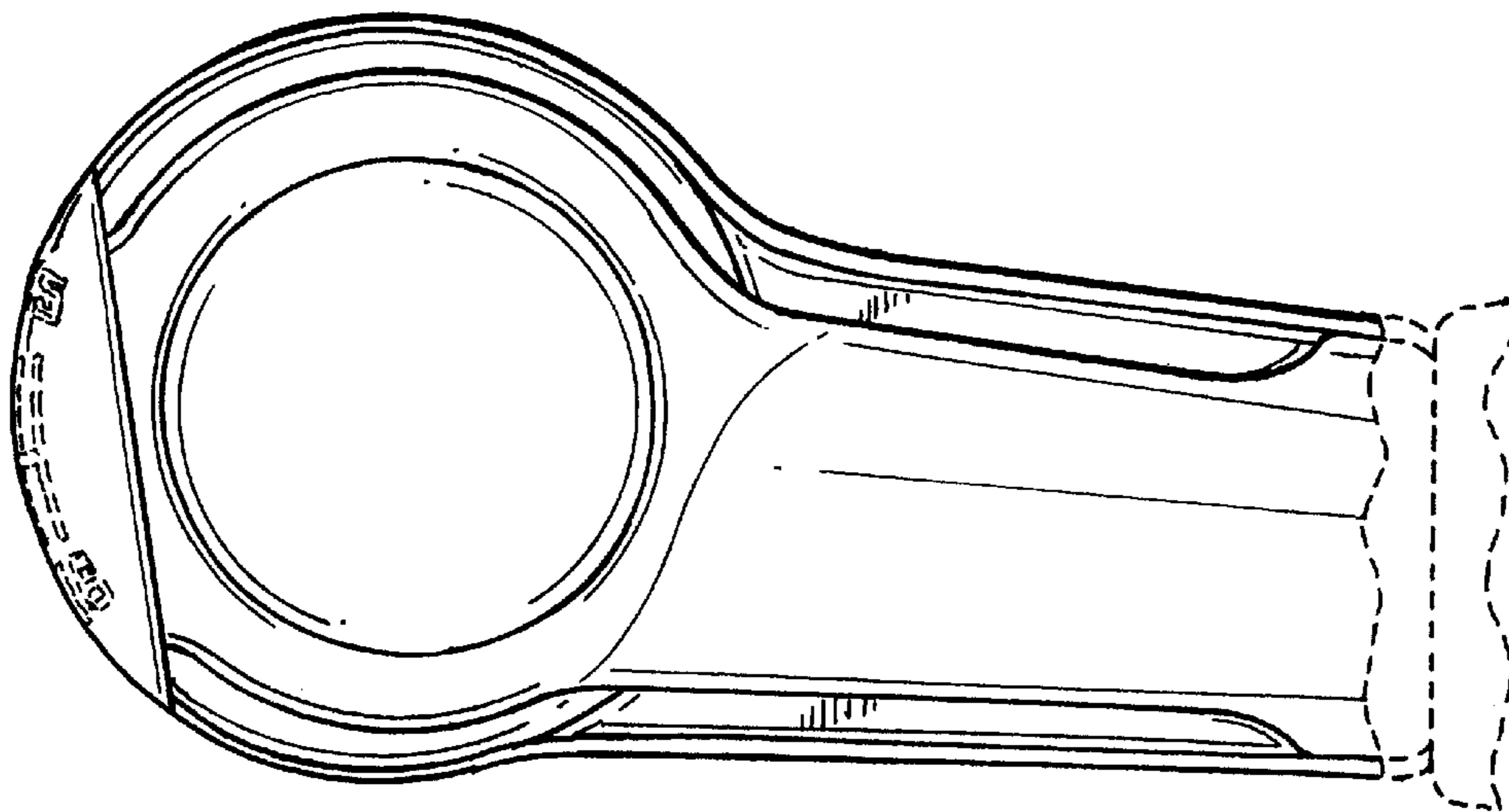


FIG. 5

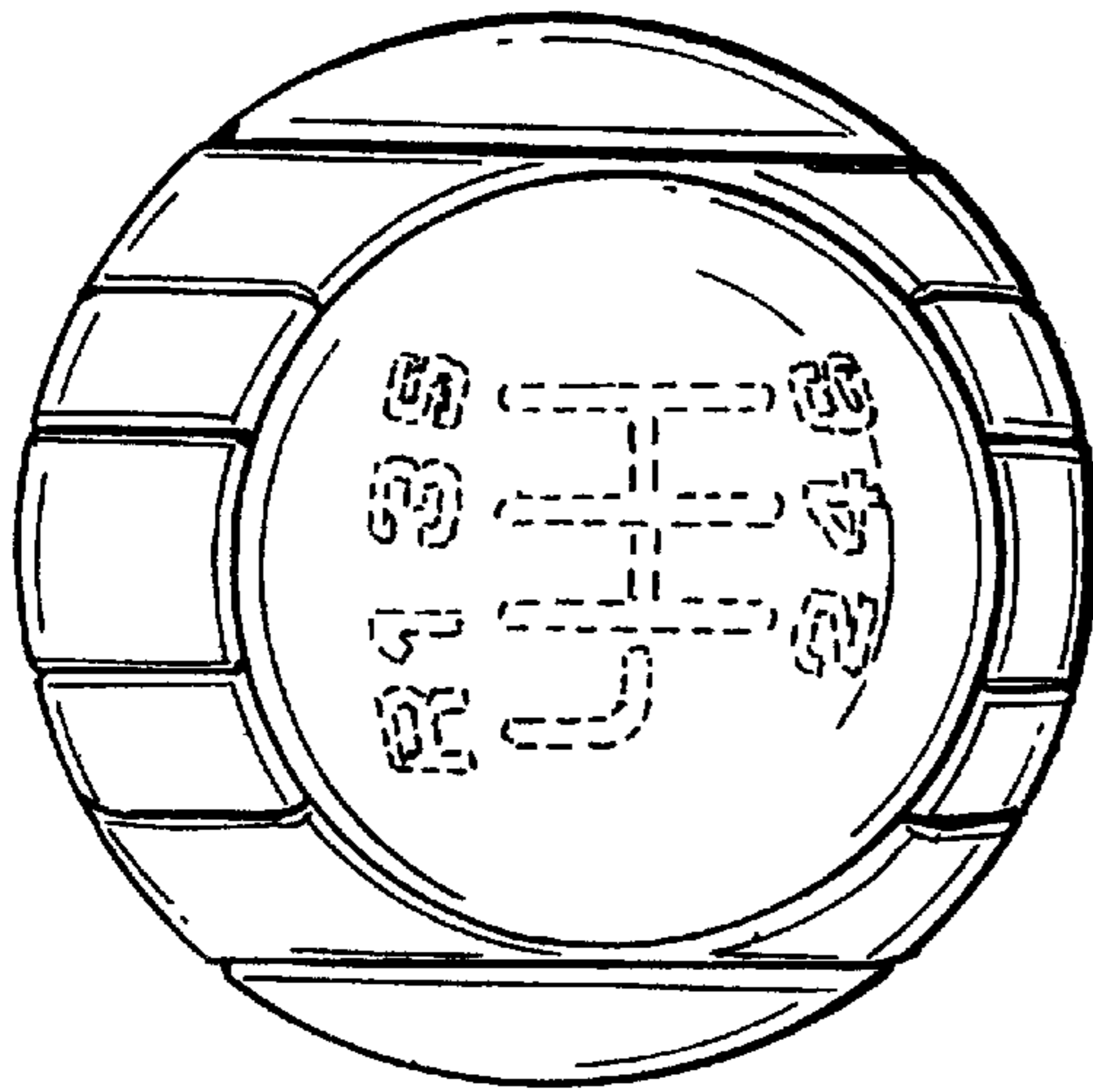


FIG. 6