



US00D531939S

(12) **United States Design Patent**
Omoto

(10) **Patent No.:** **US D531,939 S**

(45) **Date of Patent:** **** Nov. 14, 2006**

(54) **VEHICLE FRONT BUMPER**

D521,905 S * 5/2006 Suzuki et al. D12/92

(75) Inventor: **Takuya Omoto**, Nishinomiya (JP)

* cited by examiner

(73) Assignee: **C-West Style, Inc.**, Gardena, CA (US)

Primary Examiner—Melody N. Brown

(**) Term: **14 Years**

(74) *Attorney, Agent, or Firm*—Greenberg Traurig, LLP;
Louis J. Bovasso, Esq.

(21) Appl. No.: **29/235,456**

(57) **CLAIM**

(22) Filed: **Aug. 1, 2005**

The ornamental design for a vehicle front bumper, as shown and described.

(51) **LOC (8) Cl.** **12-16**

DESCRIPTION

(52) **U.S. Cl.** **D12/169**

(58) **Field of Classification Search** D12/90–92,
D12/86, 169, 196, 163; 296/180.1, 180.2;
293/102, 113, 115, 117, 120

See application file for complete search history.

FIG. 1 is a front perspective view of a vehicle bumper cover from the left side thereof showing my new design; FIG. 2 is a view similar to FIG. 1 from the right side of the vehicle bumper cover of FIGS. 1 and 2; FIG. 3 is a front perspective view of the vehicle bumper cover of FIGS. 1 to 3; and, FIG. 4 is a right side elevational view of the vehicle bumper cover of FIGS. 1 to 3, the left side view being a mirror image thereof.

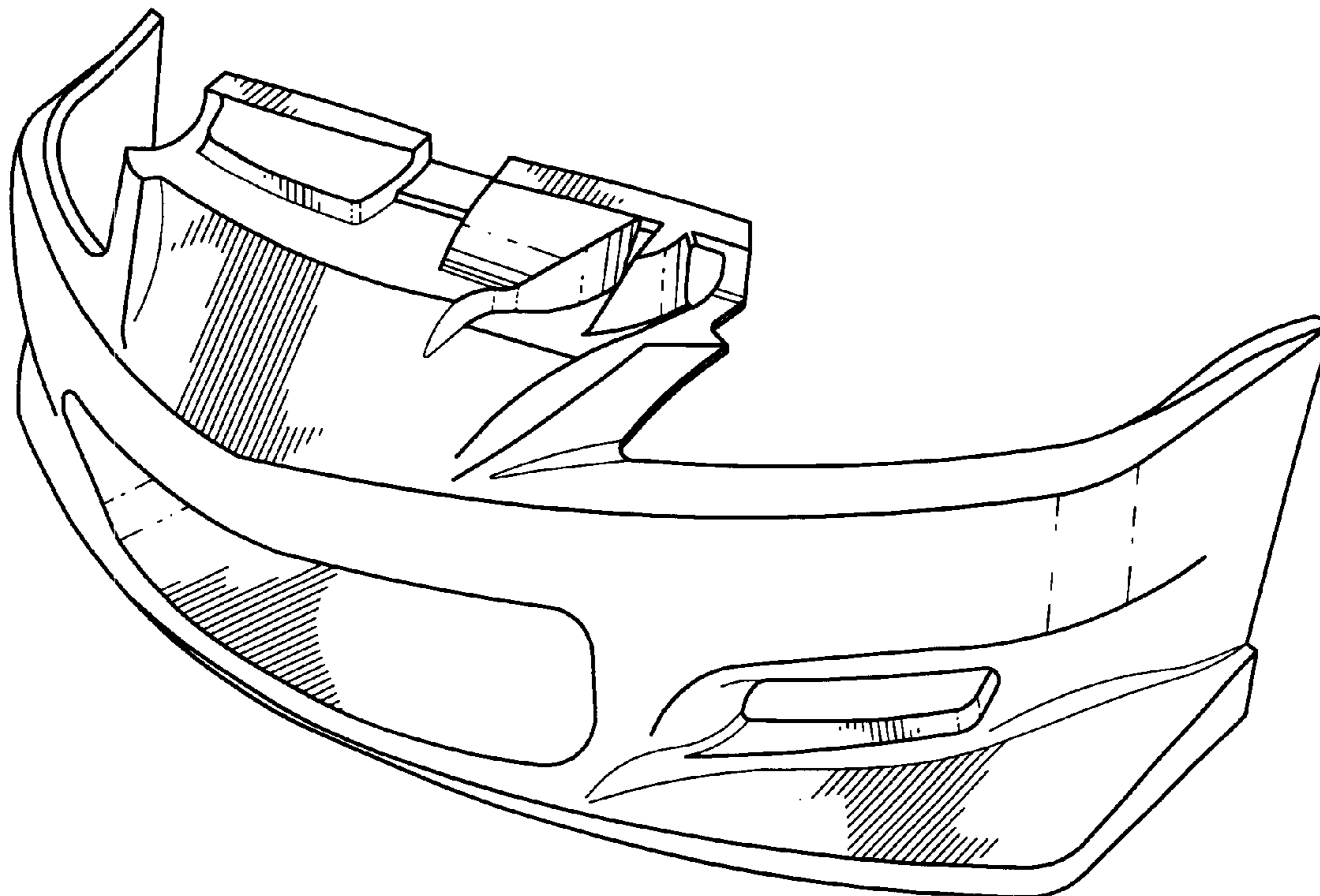
The rear of the design is not being claimed as part of the design.

(56) **References Cited**

U.S. PATENT DOCUMENTS

D481,657 S	*	11/2003	Chan	D12/169
D499,676 S	*	12/2004	Chan	D12/169
D502,676 S	*	3/2005	Chan	D12/169
D504,365 S	*	4/2005	Pfeiffer	D12/169
D514,038 S	*	1/2006	Chan	D12/169

1 Claim, 2 Drawing Sheets



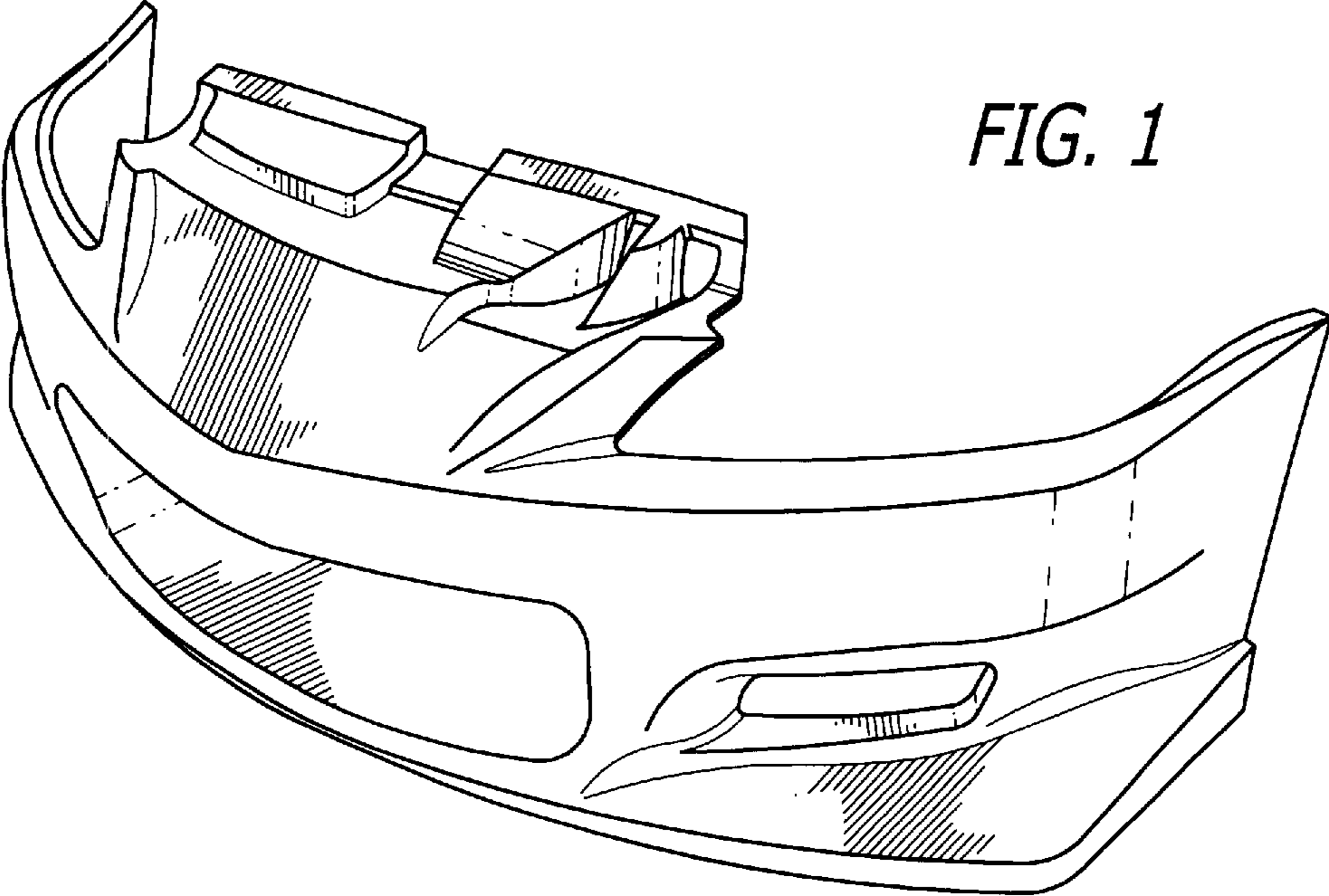


FIG. 1

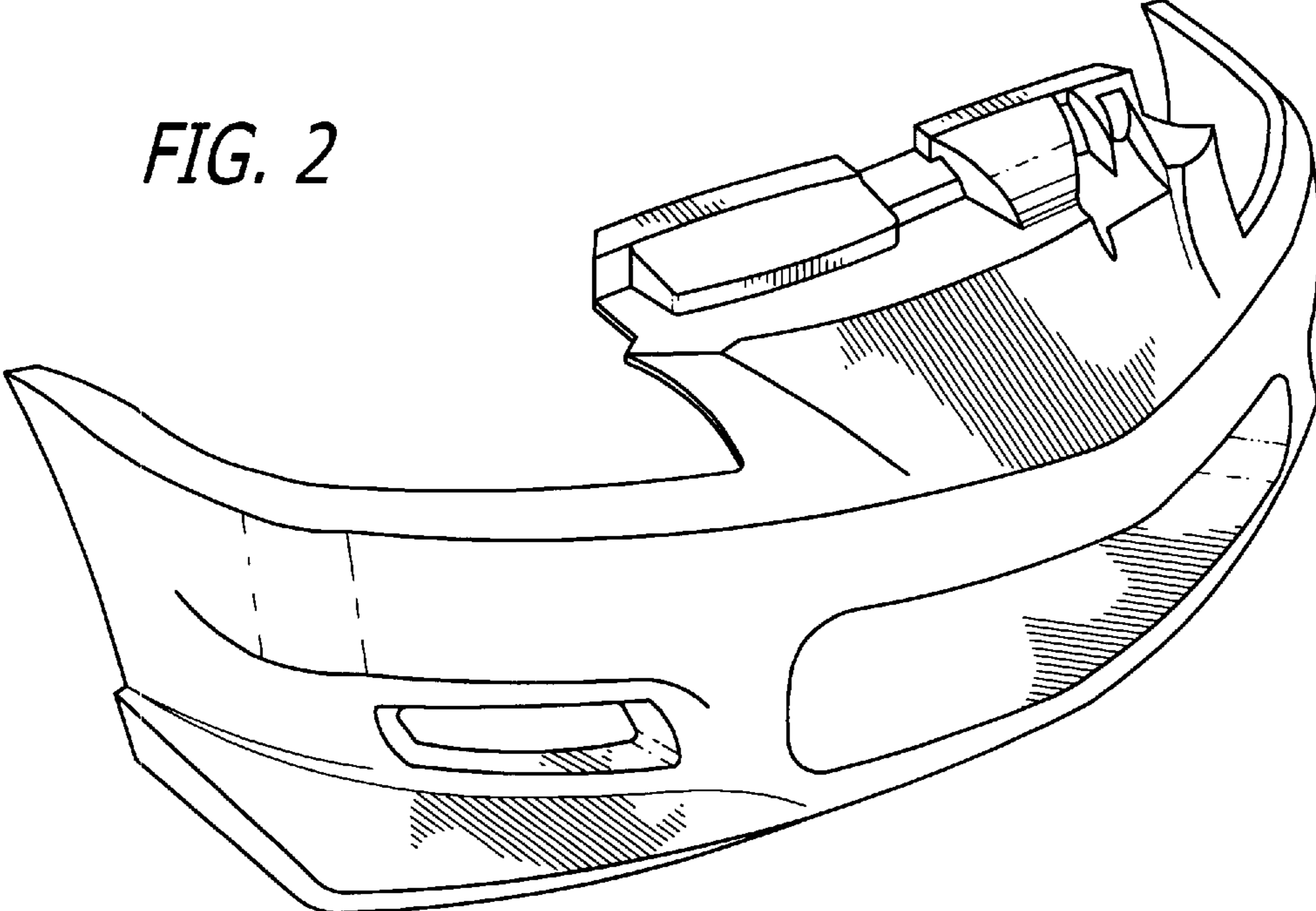


FIG. 2

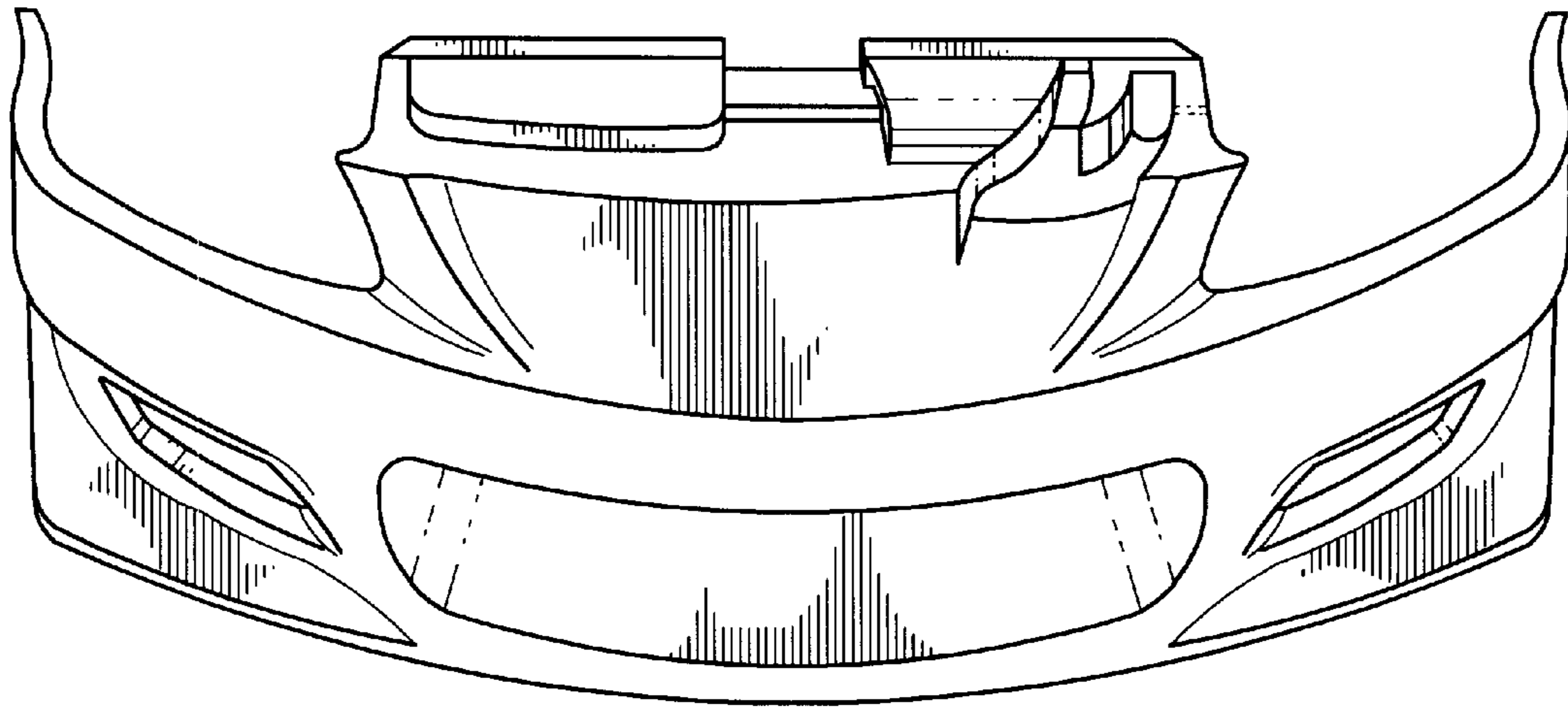


FIG. 3

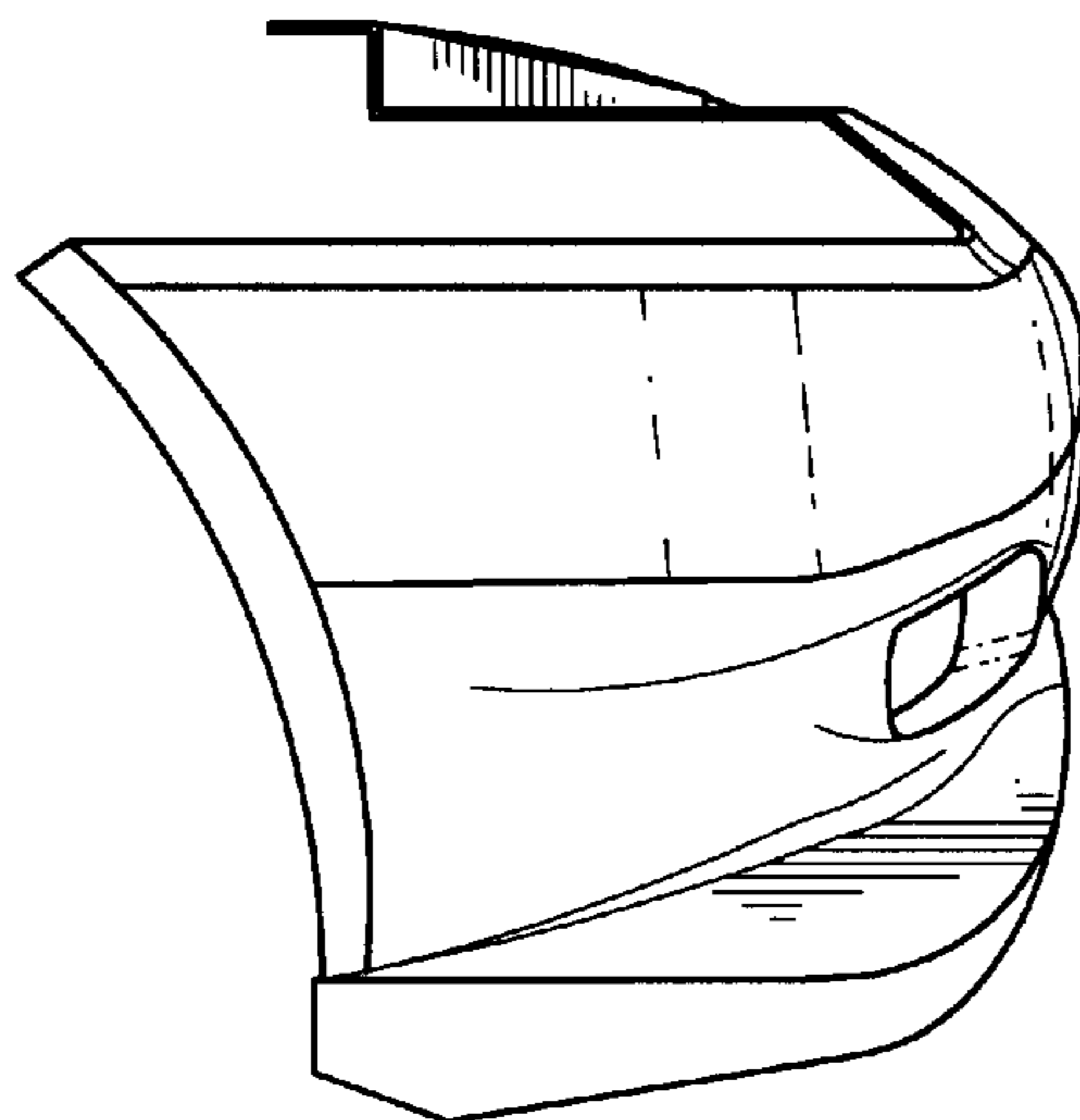


FIG. 4