



US00D531938S

(12) **United States Design Patent** (10) **Patent No.:** **US D531,938 S**  
**Okamura** (45) **Date of Patent:** **\*\* Nov. 14, 2006**

(54) **FRONT GRILL FOR AN AUTOMOBILE**

OTHER PUBLICATIONS

(75) Inventor: **Kenichi Okamura**, Nagoya (JP)

Brochure for Toyota Celsior, issued by Toyota Jidosha Kabushiki Kaisha, Aug. 2003.

(73) Assignee: **Toyota Jidosha Kabushiki Kaisha**, Aichi-ken (JP)

Brochure for Toyota Ipsum, issued by Toyota Jidosha Kabushiki Kaisha, Aug. 1997.

(\*\*) Term: **14 Years**

Honda Odyssey in "Jidosha Guidebook," vol. 48, issued by Jidosha Kougyou Sinkoukai, Oct. 2001.

(21) Appl. No.: **29/239,565**

\* cited by examiner

(22) Filed: **Oct. 3, 2005**

*Primary Examiner*—Melody N. Brown

(51) **LOC (8) Cl.** ..... **12-16**

(74) *Attorney, Agent, or Firm*—Finnegan, Henderson, Farabow, Garrett & Dunner, L.L.P.

(52) **U.S. Cl.** ..... **D12/163**

(57) **CLAIM**

(58) **Field of Classification Search** ..... D12/163,  
D12/171, 90-92, 216, 169, 196; 180/68.1,  
180/68.6; 296/194; 293/102, 113, 115  
See application file for complete search history.

The ornamental design for a front grill for an automobile, as shown and described.

**DESCRIPTION**

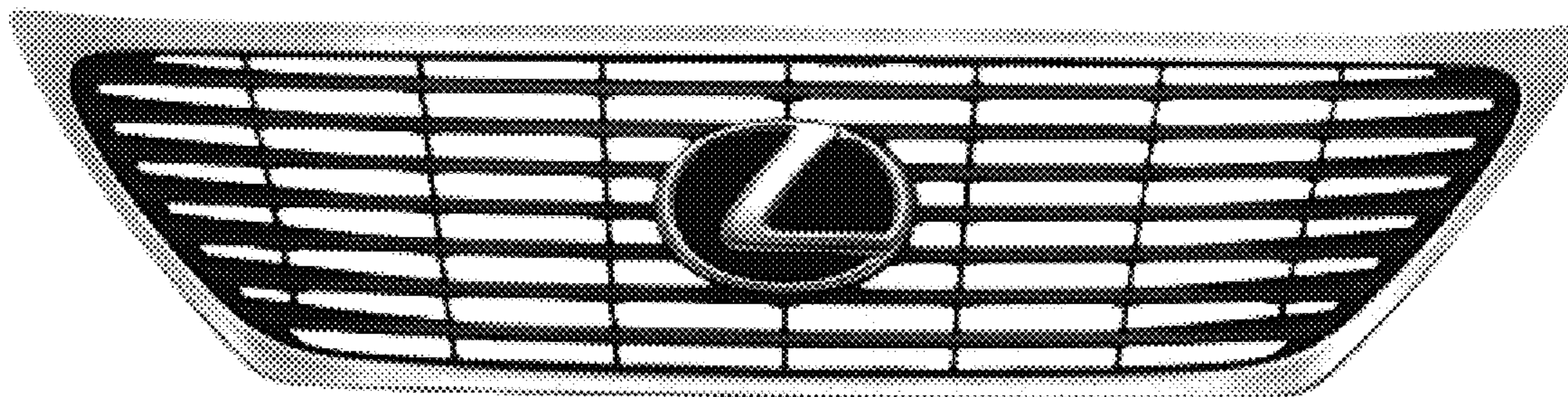
(56) **References Cited**

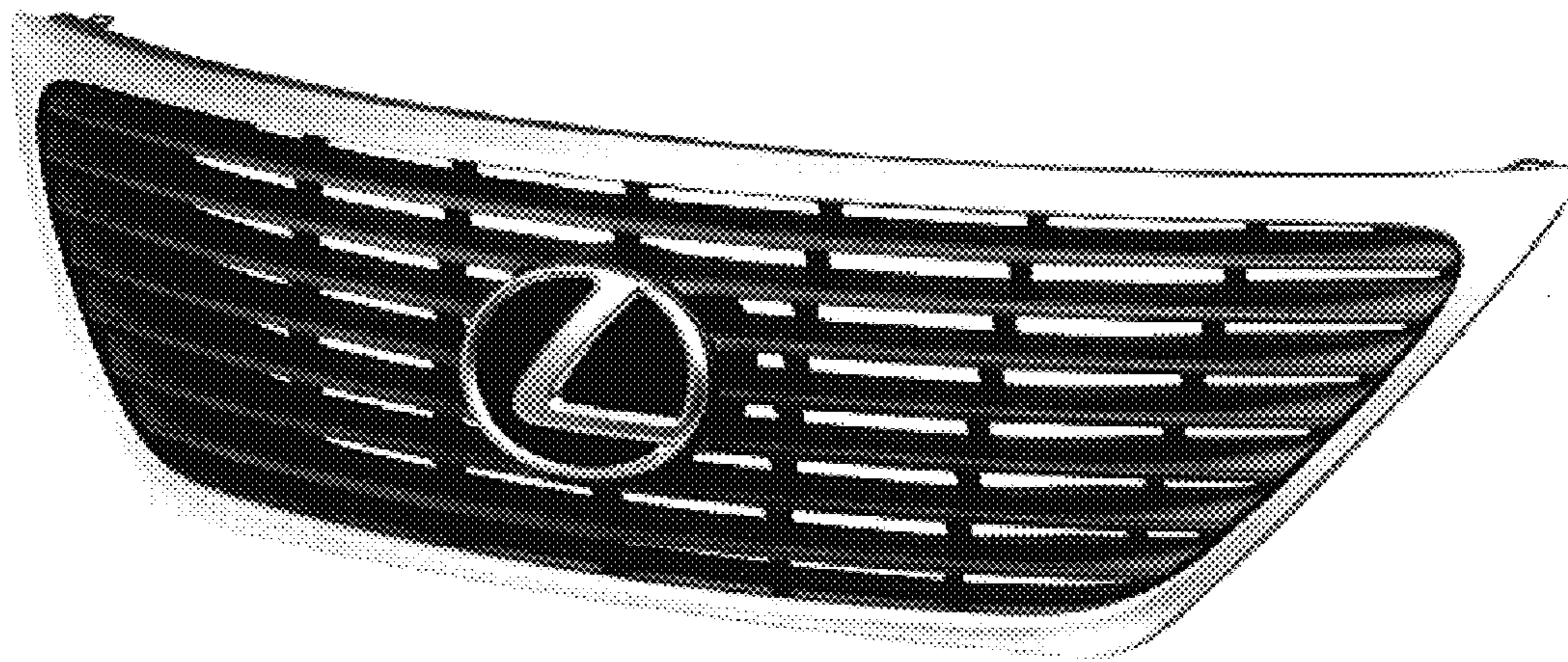
FIG. 1 is a front perspective view of a front grill for an automobile of my new design;  
FIG. 2 is a front view thereof;  
FIG. 3 is a rear view thereof;  
FIG. 4 is a top plan view thereof;  
FIG. 5 is a bottom plan view thereof; and,  
FIG. 6 is a right side view thereof, the left side view being a mirror image of FIG. 6.

**U.S. PATENT DOCUMENTS**

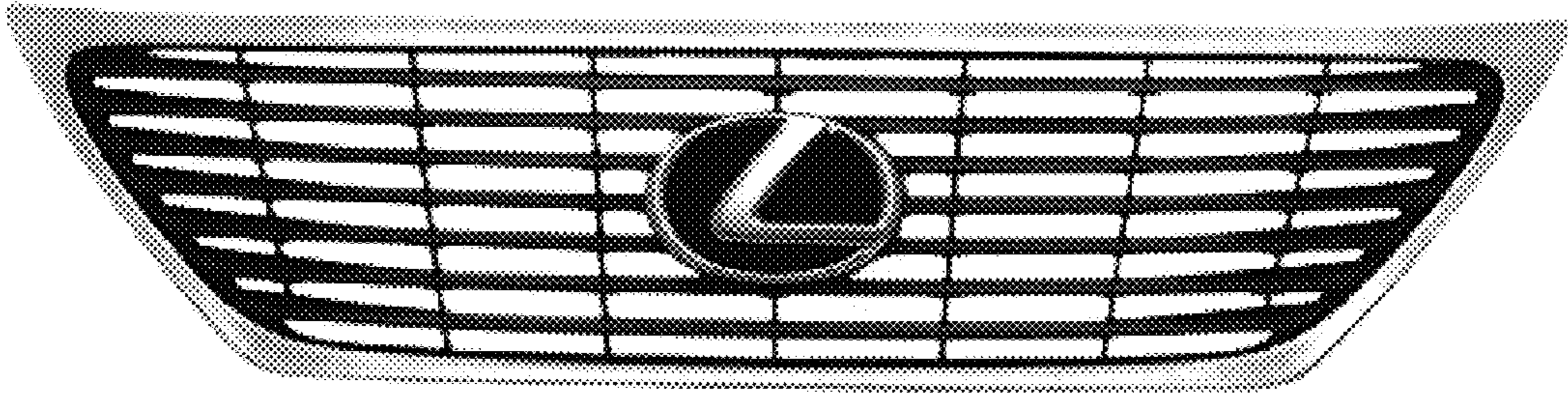
D494,513 S	*	8/2004	Ito	.....	D12/163
D494,514 S	*	8/2004	Pfeiffer	.....	D12/163
D498,187 S	*	11/2004	Platto et al.	.....	D12/163
D501,435 S	*	2/2005	Hosoda et al.	.....	D12/163
D505,099 S	*	5/2005	Suzuki	.....	D12/163
D510,302 S	*	10/2005	Sugimoto	.....	D12/163
D519,425 S	*	4/2006	Metsugi et al.	.....	D12/163
D519,890 S	*	5/2006	Sakae	.....	D12/163

**1 Claim, 3 Drawing Sheets**

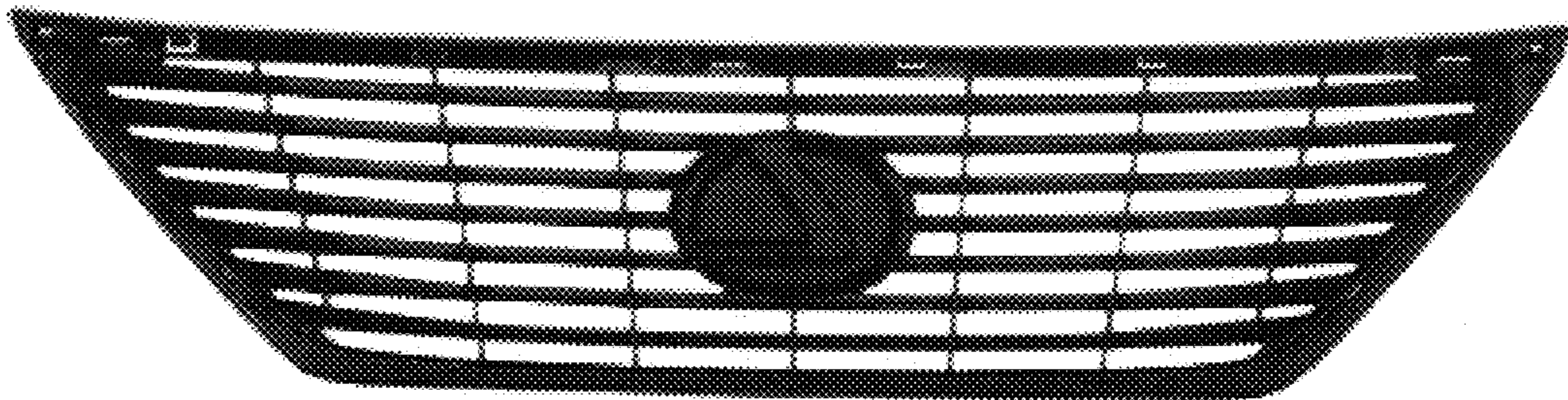




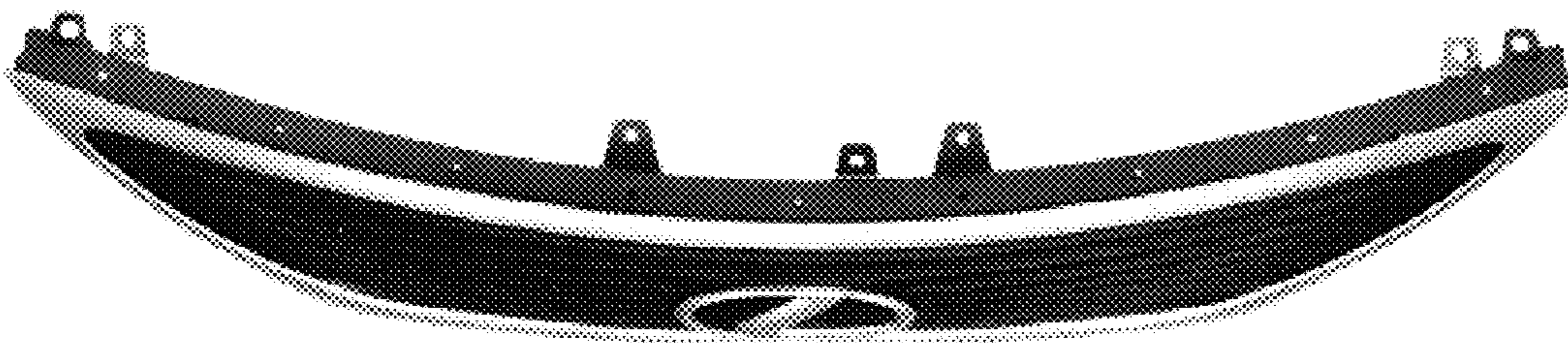
**FIG. 1**



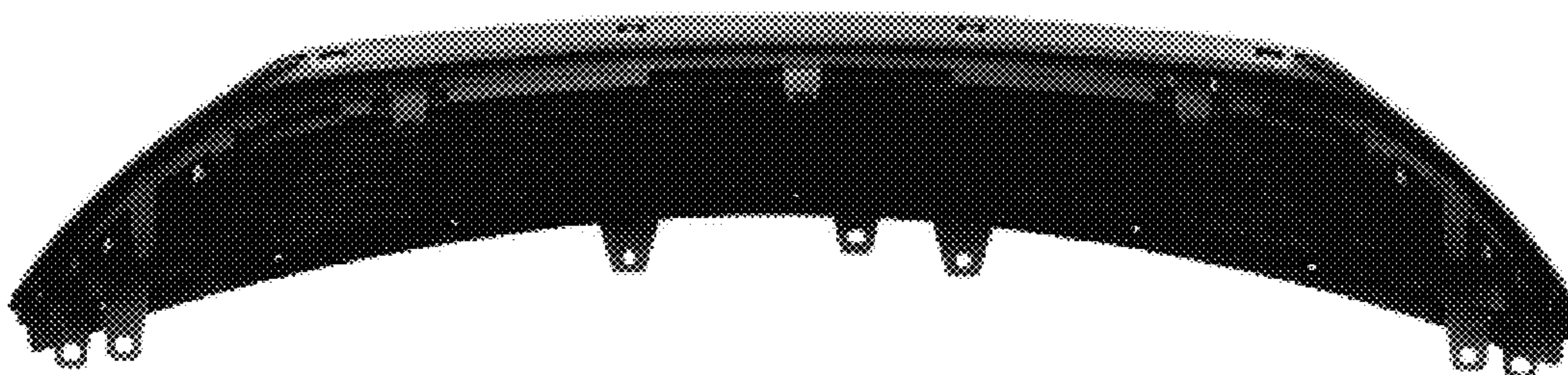
**FIG. 2**



**FIG. 3**



**FIG. 4**



**FIG. 5**



**FIG. 6**