



US00D531933S

(12) **United States Design Patent**
Delamour

(10) **Patent No.:** **US D531,933 S**

(45) **Date of Patent:** **** Nov. 14, 2006**

(54) **MOTOR BUS**

D442,888 S * 5/2001 Papke et al. D12/84
D503,126 S * 3/2005 Papke et al. D12/84

(75) Inventor: **Dominique Delamour**, Les Mesnuls
(FR)

* cited by examiner

(73) Assignee: **R&D Industries**, Galluis (FR)

Primary Examiner—Melody N. Brown

(74) *Attorney, Agent, or Firm*—Young & Thompson

(**) Term: **14 Years**

(57) **CLAIM**

(21) Appl. No.: **29/224,619**

The ornamental design for a motor bus, as shown.

(22) Filed: **Mar. 7, 2005**

DESCRIPTION

(51) **LOC (8) Cl.** **12-08**

The claimed motor bus is used for public transportation and is intended to sit on streets and roads.

(52) **U.S. Cl.** **D12/84**

(58) **Field of Classification Search** D12/84,
D12/82; 296/178

FIG. 1 is a front elevational view of a motor bus showing my new design;

See application file for complete search history.

FIG. 2 is a rear elevational view thereof;

FIG. 3 is a left side elevational view thereof;

(56) **References Cited**

U.S. PATENT DOCUMENTS

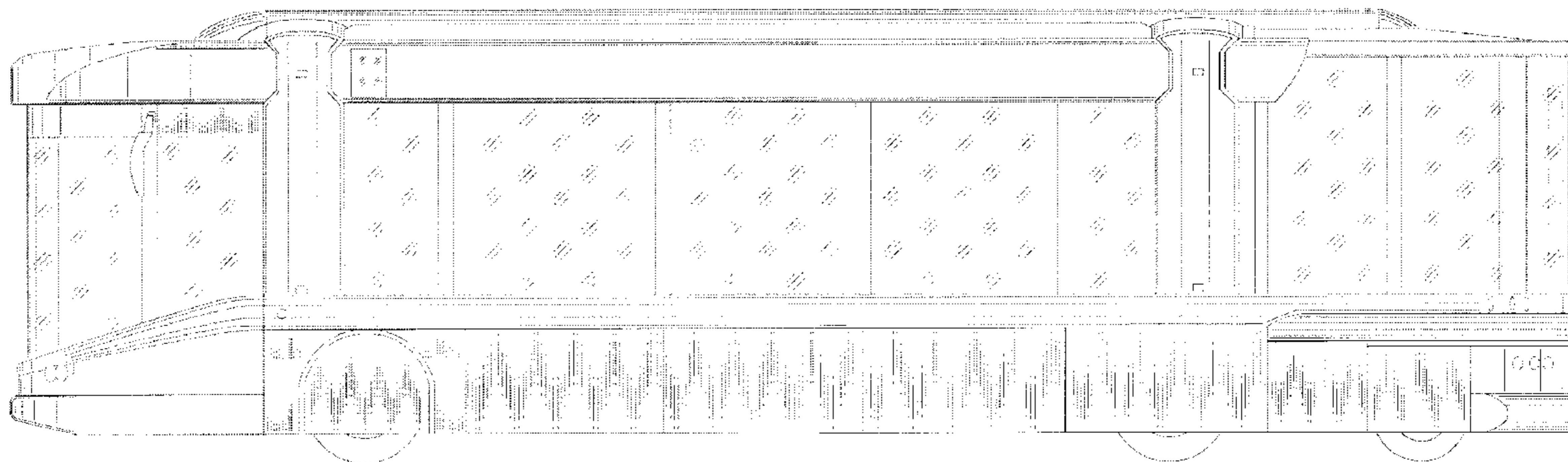
FIG. 4 is a right side elevational view thereof; and,

FIG. 5 is a top plan view thereof.

D345,120 S * 3/1994 Normand et al. D12/84

D376,562 S * 12/1996 Sealy et al. D12/84

1 Claim, 5 Drawing Sheets



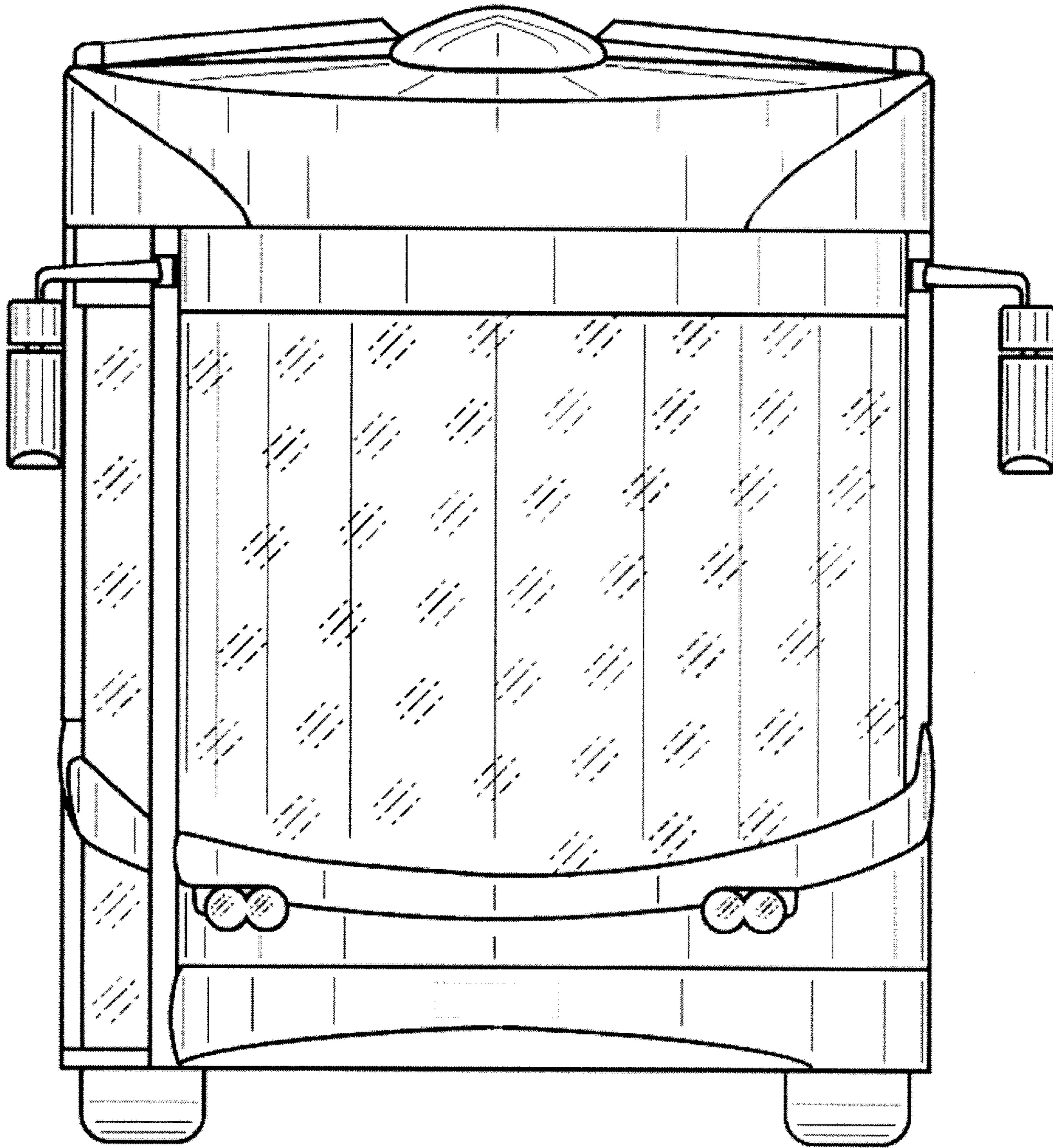


FIG. 1

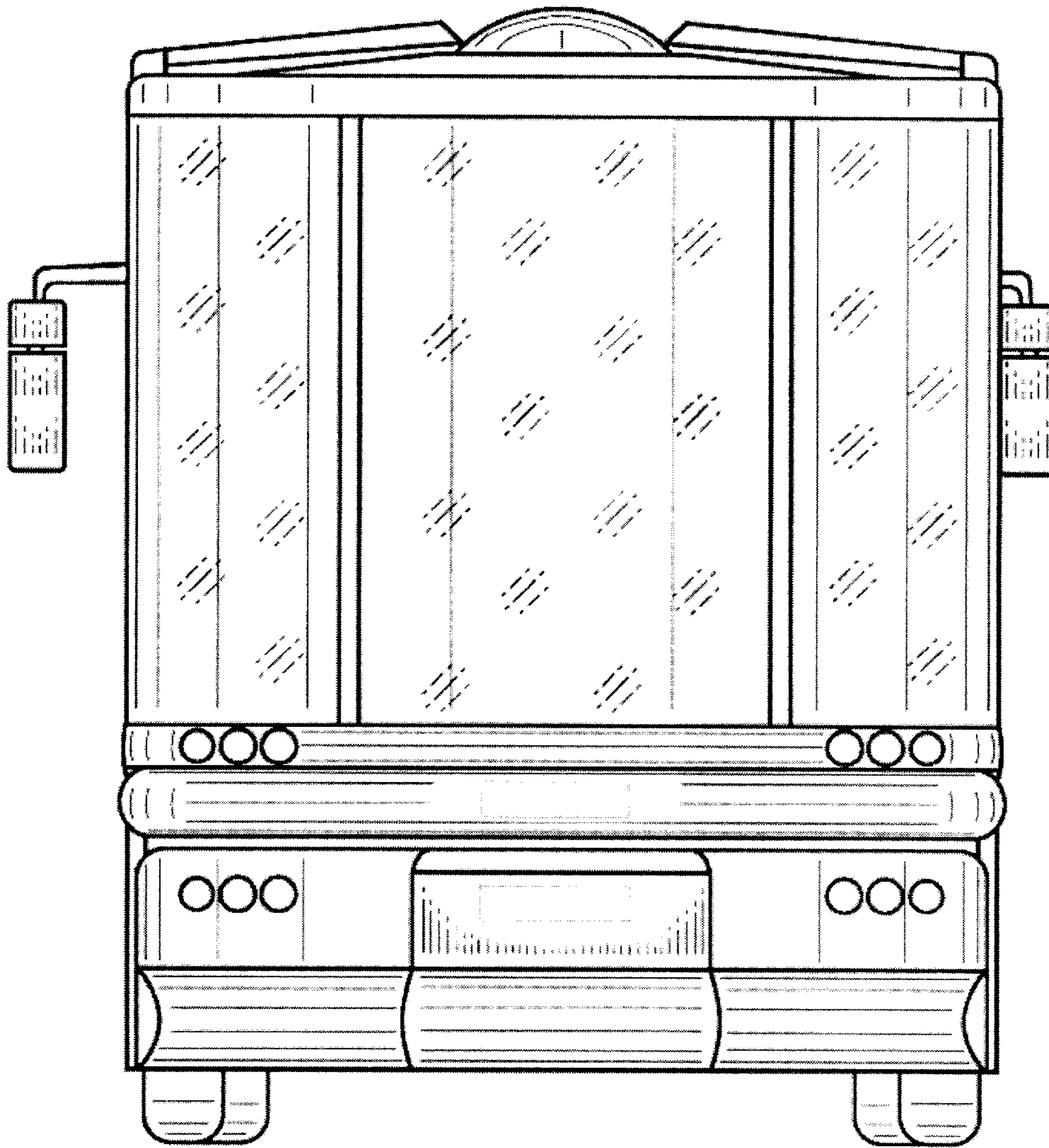


FIG. 2

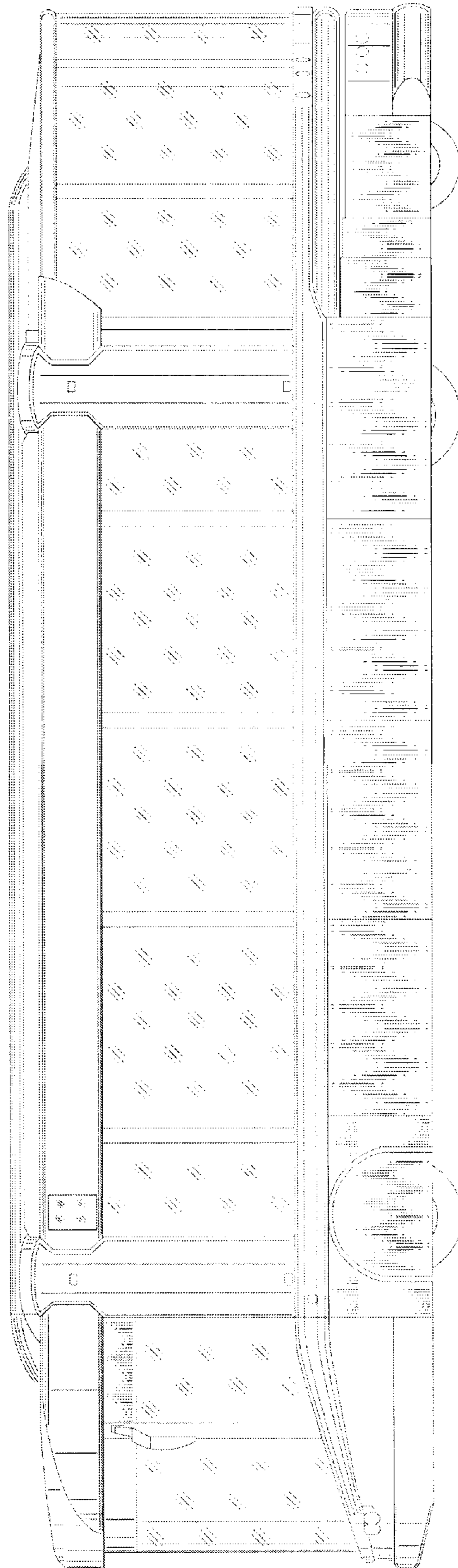


FIG. 3

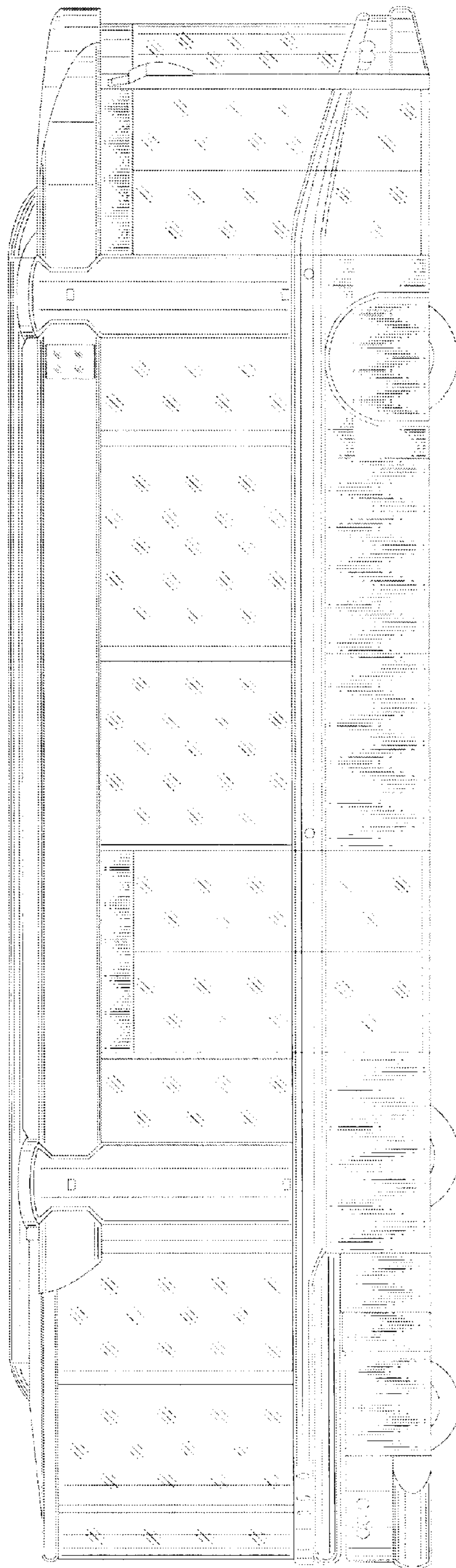


FIG. 4

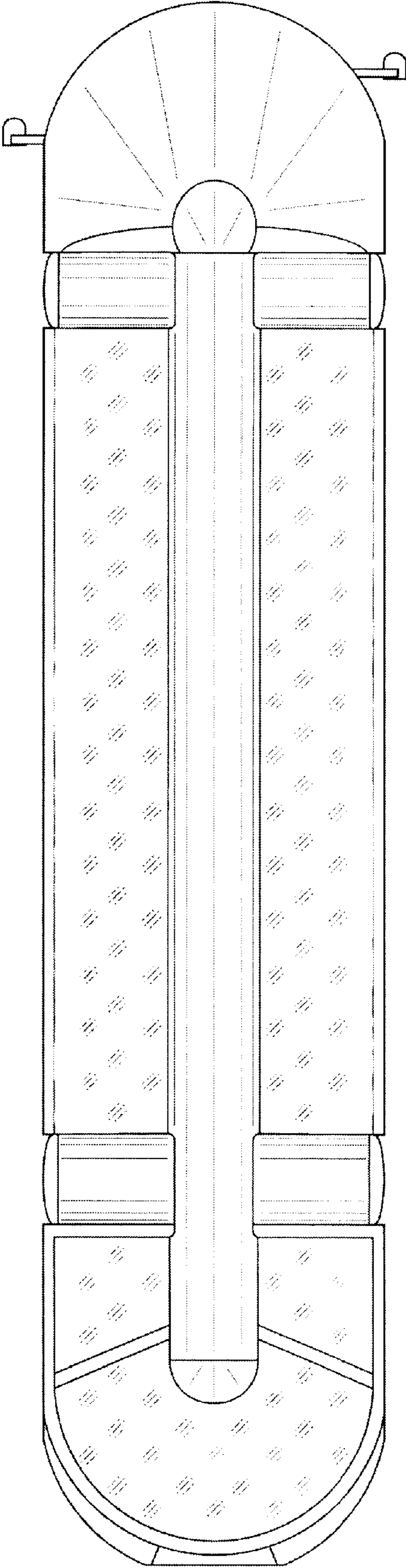


Fig. 5