



US00D531920S

(12) **United States Design Patent**  
**Mudd et al.**

(10) **Patent No.:** **US D531,920 S**

(45) **Date of Patent:** **\*\* Nov. 14, 2006**

(54) **POCKET SIZE NAVIGATION DEVICE**

(75) Inventors: **John J. Mudd**, Olathe, KS (US);  
**Jeffrey D. Minelli**, Olathe, KS (US);  
**David J. Laverick**, Overland Park, KS (US)

(73) Assignee: **Garmin Ltd.** (KY)

(\*\*) Term: **14 Years**

(21) Appl. No.: **29/229,291**

(22) Filed: **May 5, 2005**

(51) **LOC (8) Cl.** ..... **10-04**

(52) **U.S. Cl.** ..... **D10/65**

(58) **Field of Classification Search** ..... D10/65,  
D10/70; 340/539.13, 995.1; 342/357.13,  
342/357.06–357.09, 357.1; 343/702; 455/566,  
455/575.1, 150.1, 151.3, 90.1, 12.1, 456.1  
See application file for complete search history.

(56) **References Cited**

**U.S. PATENT DOCUMENTS**

D365,292 S	12/1995	Laverick et al. ....	D10/78
D366,220 S	* 1/1996	Sakamoto .....	D10/65
D409,927 S	5/1999	Wieggers et al. ....	D10/65
D426,481 S	6/2000	Laverick .....	D10/103
D427,919 S	7/2000	Laverick et al. ....	D10/65
D440,505 S	4/2001	Laverick .....	D10/65
D453,300 S	2/2002	Schoenfish et al. ....	D10/65
D453,481 S	2/2002	Schoenfish .....	D10/74
D455,665 S	4/2002	Schoenfish et al. ....	D10/74
D456,289 S	4/2002	Laverick .....	D10/65
D456,794 S	5/2002	Laverick et al. ....	D14/138
D457,445 S	5/2002	Schoenfish .....	D10/65

6,418,309 B1	*	7/2002	Moon et al. ....	455/418
6,501,429 B1	*	12/2002	Nakamura et al. ....	343/702
D469,367 S	*	1/2003	Mirabelli et al. ....	D10/65
D477,597 S		7/2003	Laverick et al. ....	D14/346
D486,083 S		2/2004	Laverick et al. ....	D10/65
6,781,551 B1	*	8/2004	Gerber .....	343/702
6,876,871 B1	*	4/2005	Hirayama et al. ....	455/566
6,912,463 B1	*	6/2005	Miwa .....	701/213
D506,937 S	*	7/2005	Lee et al. ....	D10/65
D508,213 S	*	8/2005	Silzer et al. ....	D10/65
D509,760 S	*	9/2005	Burrell et al. ....	D10/65
6,977,617 B1	*	12/2005	Asano et al. ....	343/702
D515,441 S	*	2/2006	Shindo .....	D10/65
D517,932 S	*	3/2006	Lum .....	D10/65
7,054,670 B1	*	5/2006	Wang et al. ....	455/566

\* cited by examiner

*Primary Examiner*—Antoine D. Davis

(74) *Attorney, Agent, or Firm*—David L. Terrell

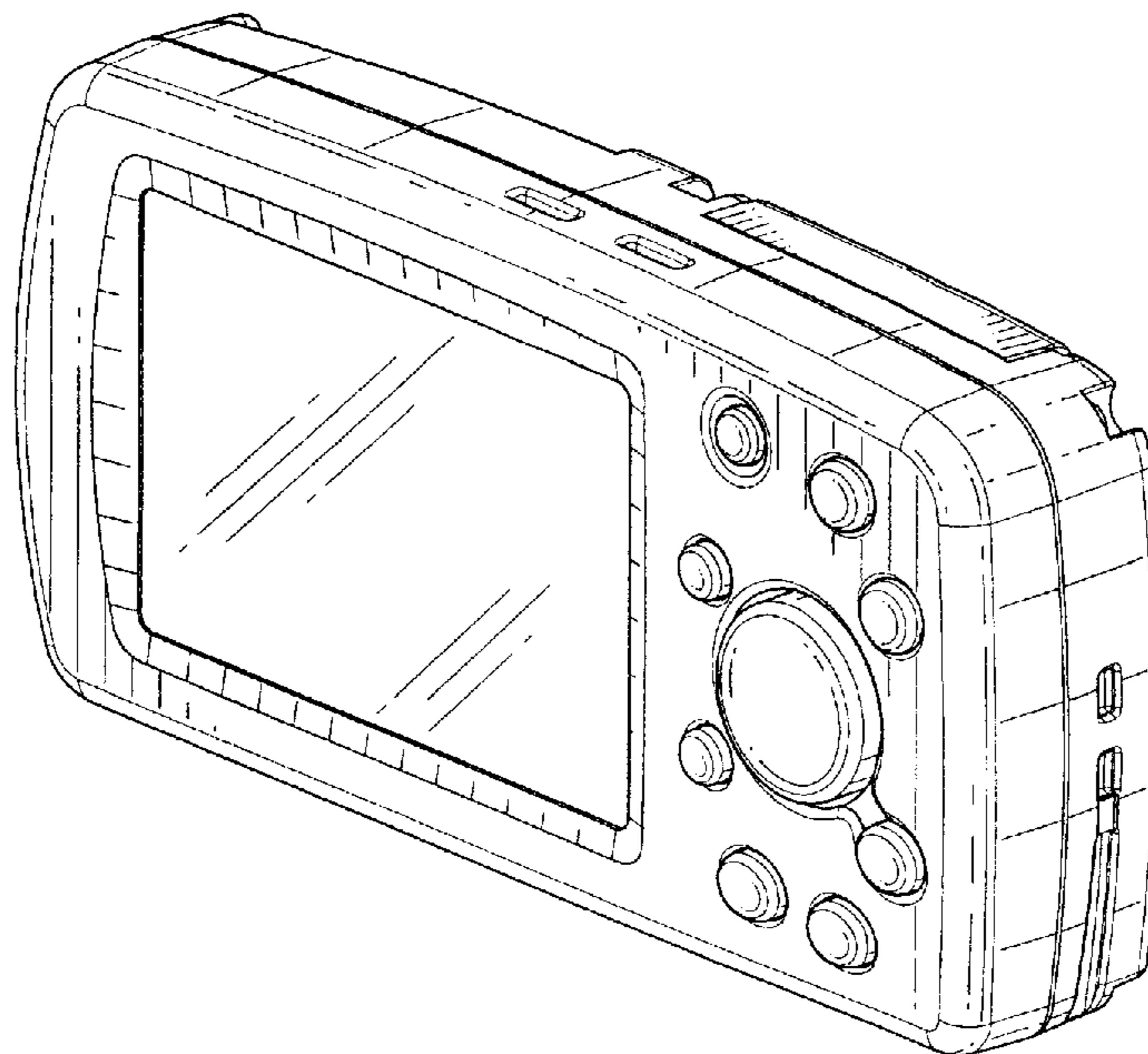
(57) **CLAIM**

The ornamental design for a pocket size navigation device, as shown and described.

**DESCRIPTION**

FIG. 1 is a front perspective view of a pocket size navigation device according to the present invention; FIG. 2 is a rear perspective view thereof; FIG. 3 is a top plan view thereof; FIG. 4 is a front elevational view thereof; FIG. 5 is a bottom plan view thereof; FIG. 6 is a rear elevational view thereof; FIG. 7 is a left side view thereof; and, FIG. 8 is a right side view thereof.

**1 Claim, 4 Drawing Sheets**



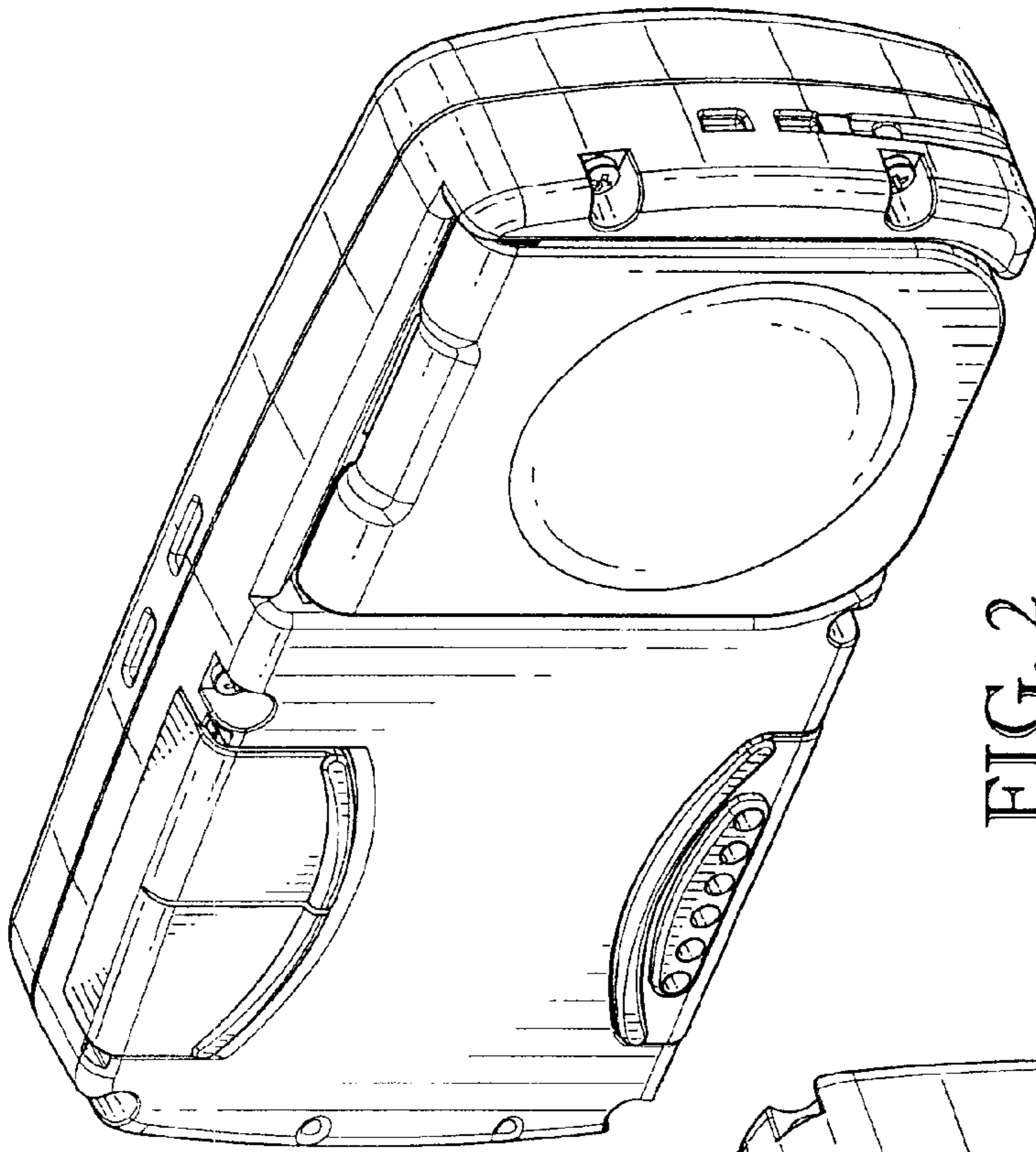


FIG. 2

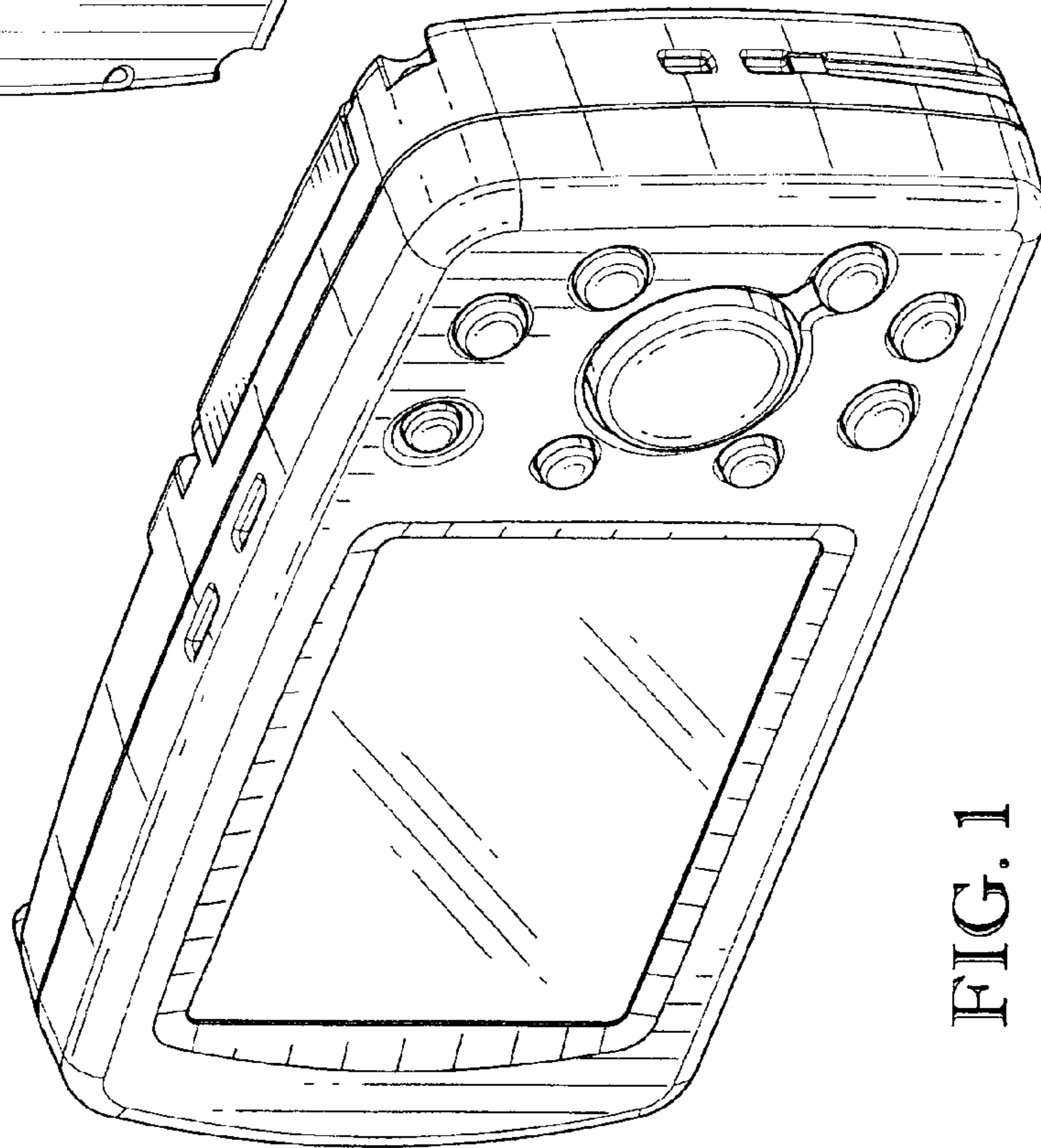


FIG. 1

FIG. 3

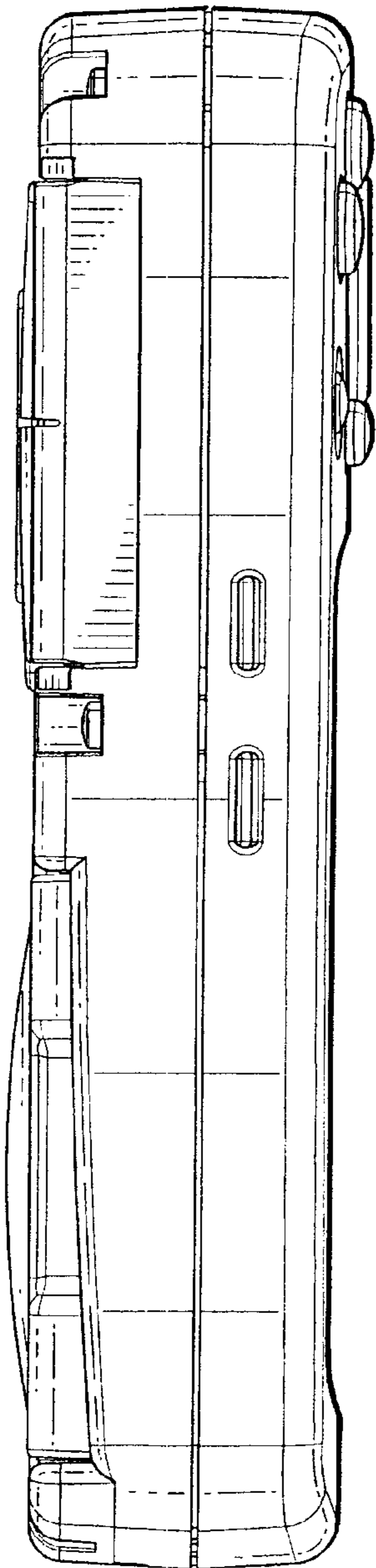


FIG. 4

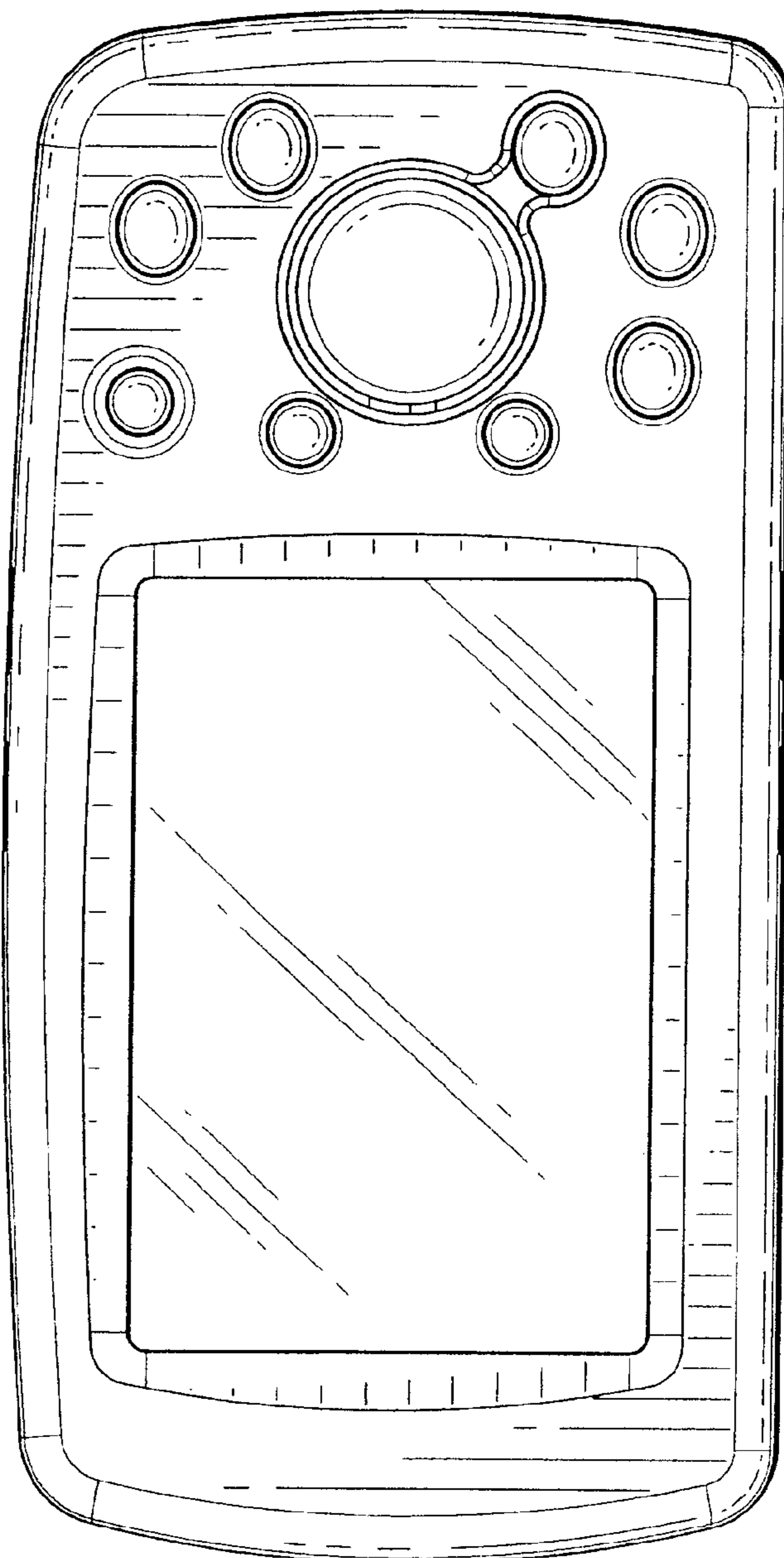


FIG. 5

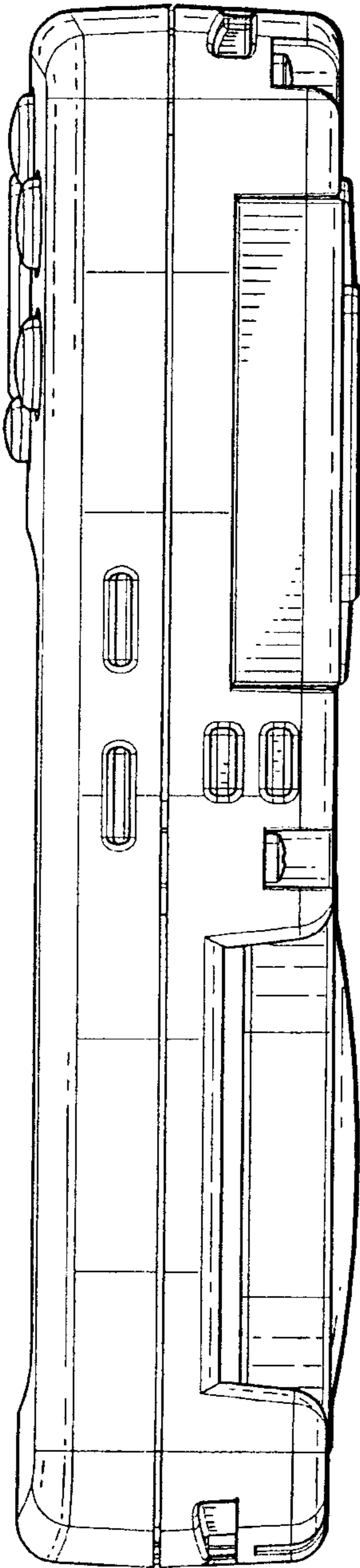
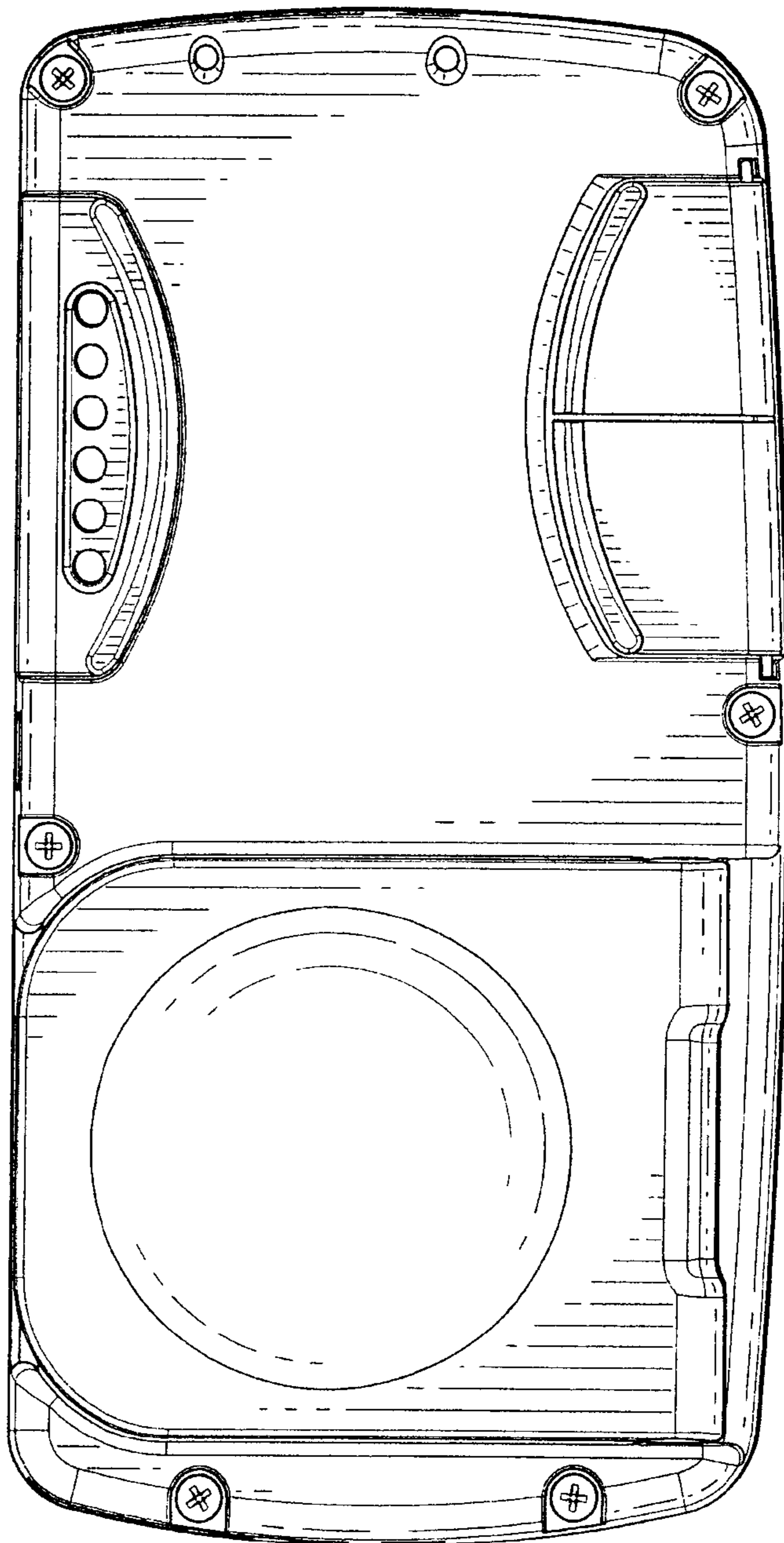


FIG. 6



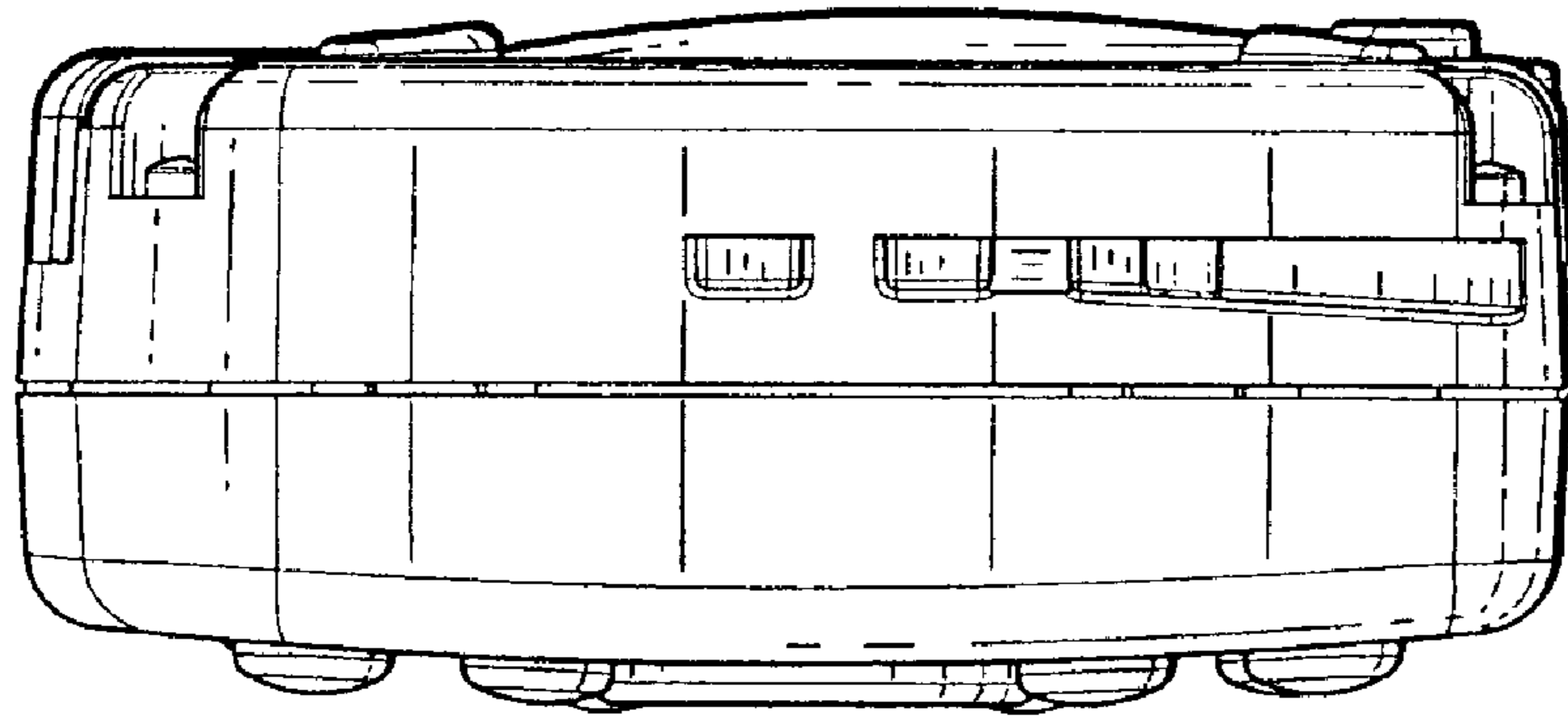


FIG. 8

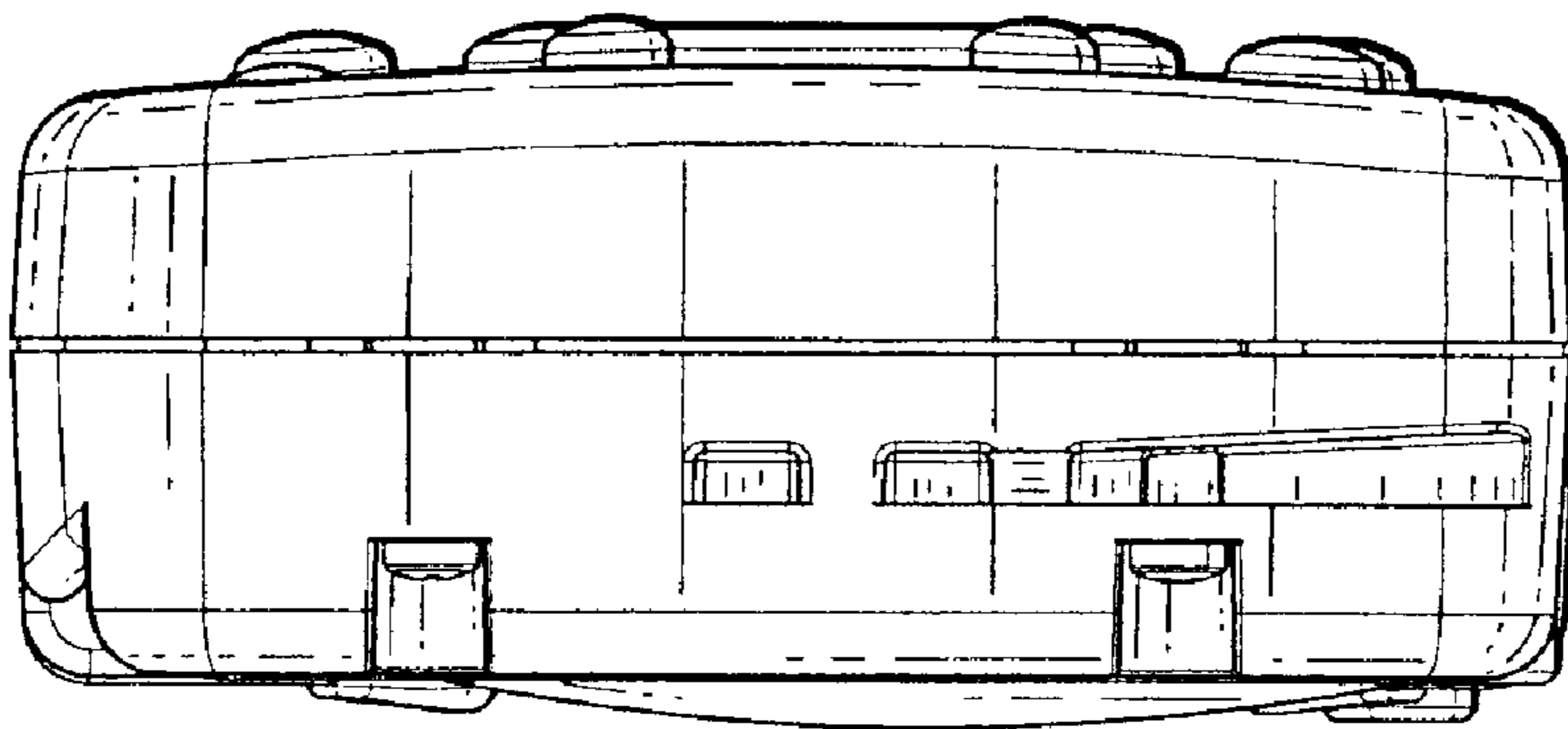


FIG. 7