



US00D531919S

(12) **United States Design Patent**  
**Ebinger**

(10) **Patent No.: US D531,919 S**

(45) **Date of Patent: \*\* Nov. 14, 2006**

(54) **SEARCH PROBE**

(75) Inventor: **Klaus Ebinger**, Cologne (DE)

(73) Assignee: **Company Ing. Klaus Ebinger**,  
Cologne (DE)

(\*\*) Term: **14 Years**

(21) Appl. No.: **29/232,111**

(22) Filed: **Jun. 15, 2005**

(30) **Foreign Application Priority Data**

Dec. 16, 2004 (EM) ..... 000268727-0001/0002

(51) **LOC (8) Cl.** ..... **10-04**

(52) **U.S. Cl.** ..... **D10/47**

(58) **Field of Classification Search** ..... D10/47;  
324/233, 236-239; 340/368

See application file for complete search history.

(56) **References Cited**

**U.S. PATENT DOCUMENTS**

D222,844 S	*	1/1972	Doss	.....	D10/47
3,662,255 A	*	5/1972	Garrett	.....	324/328
3,753,185 A	*	8/1973	Mahan	.....	336/84 R
4,862,316 A	*	8/1989	Smith et al.	.....	361/220
5,068,612 A	*	11/1991	Auslander et al.	.....	324/327
5,557,206 A	*	9/1996	Won	.....	324/329

**FOREIGN PATENT DOCUMENTS**

DE	G 88 11 496.1	12/1988
DE	43 39 419 C2	9/1997
EP	0 249 110 A2	12/1987
EP	0 607 605 A1	7/1994
EP	0 905 529 B1	3/1999
EP	0 764 856 B1	12/2001

\* cited by examiner

*Primary Examiner*—Antoine D. Davis

(74) *Attorney, Agent, or Firm*—Jacobson Holman PLLC

(57) **CLAIM**

The ornamental design for a search probe, as shown.

**DESCRIPTION**

FIG. 1 is a top plan view of a search probe showing my new design.

FIG. 2 is a bottom plan view of the search probe of FIG. 1.

FIG. 3 is a front elevational view of the search probe of FIG. 1.

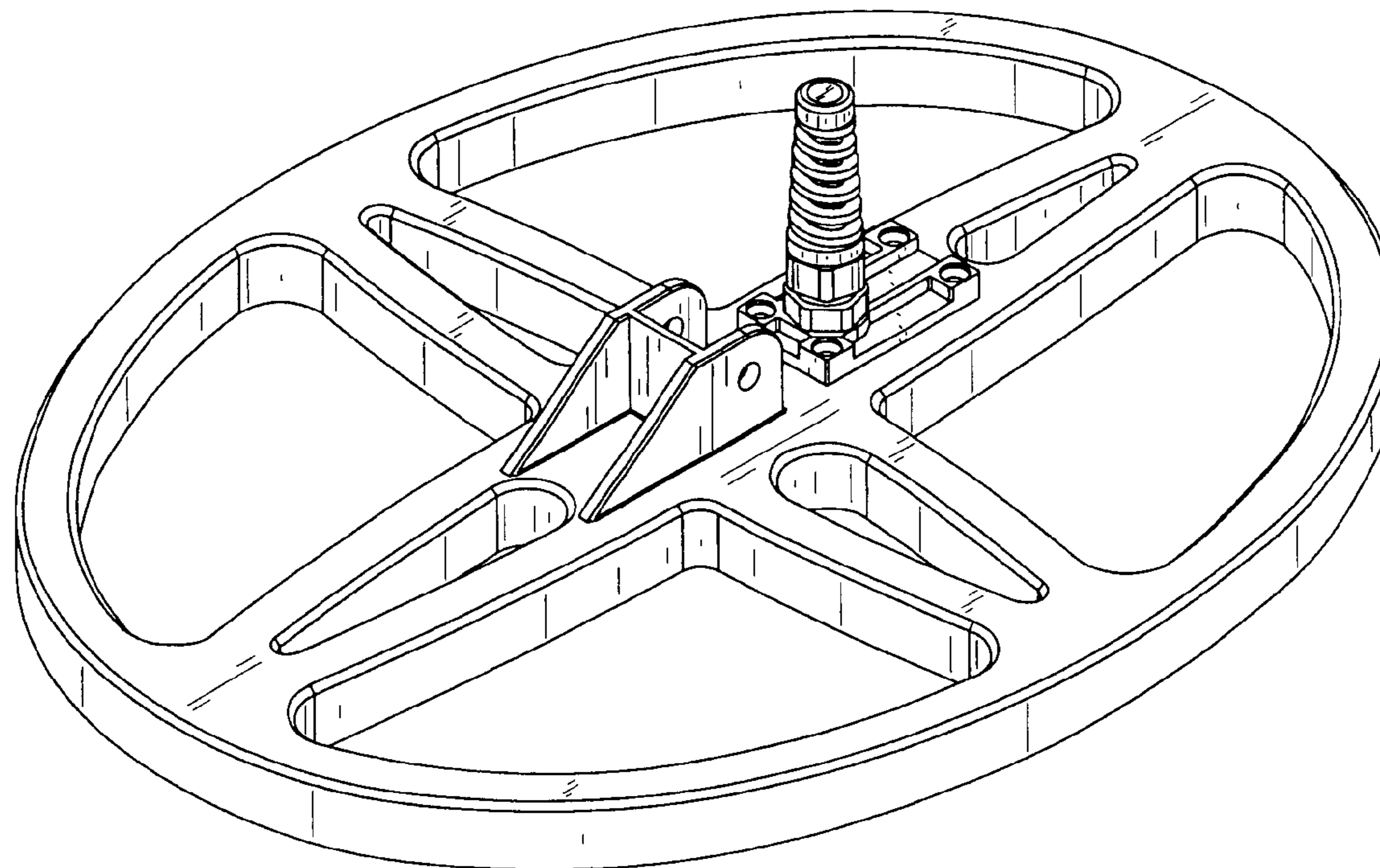
FIG. 4 is a left side elevational view of the search probe of FIG. 1.

FIG. 5 is a rear elevational view of the search probe of FIG. 1.

FIG. 6 is a right side elevational view of the search probe of FIG. 1; and,

FIG. 7 is a perspective view of the search probe of FIG. 1.

**1 Claim, 5 Drawing Sheets**



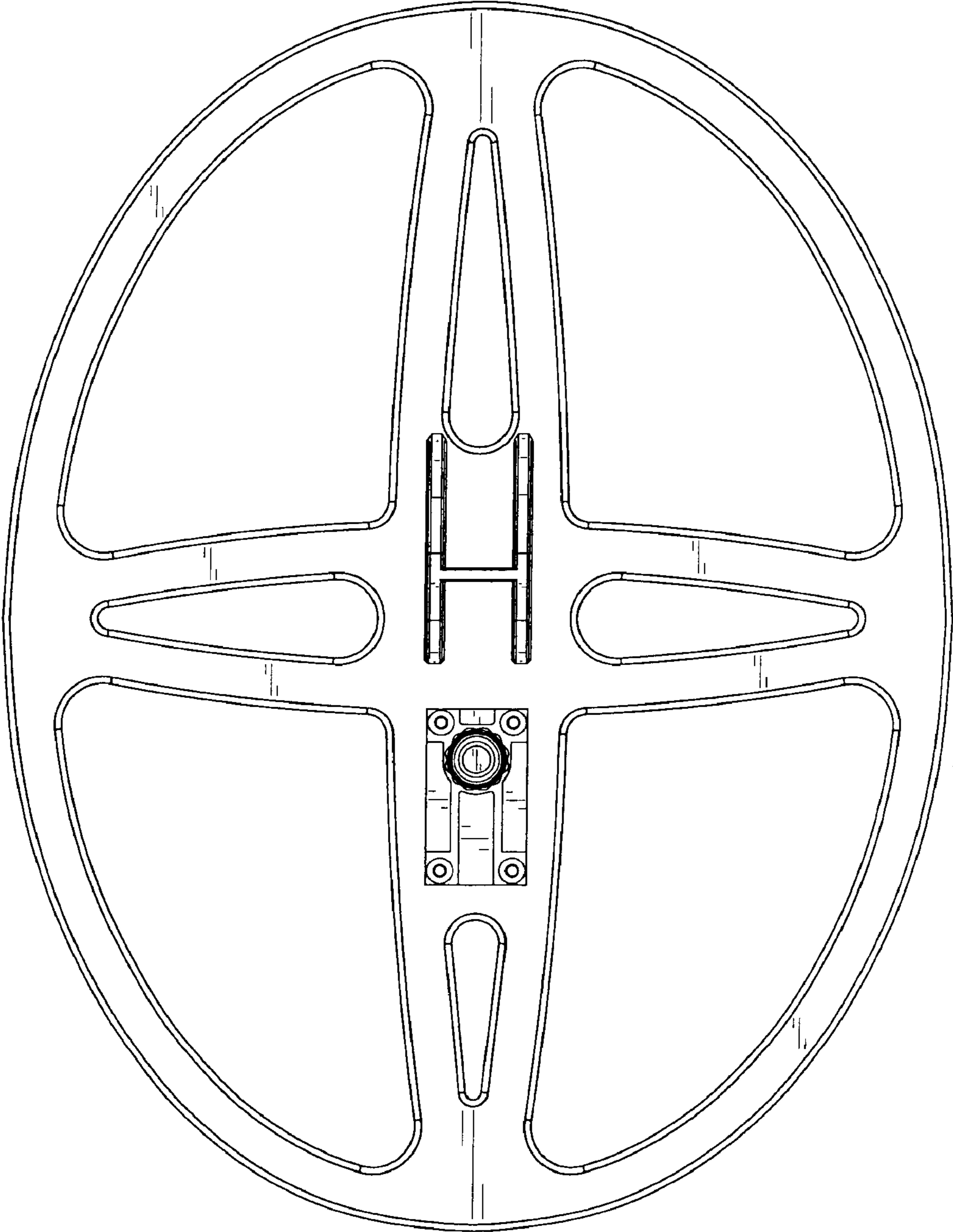


FIG. 1

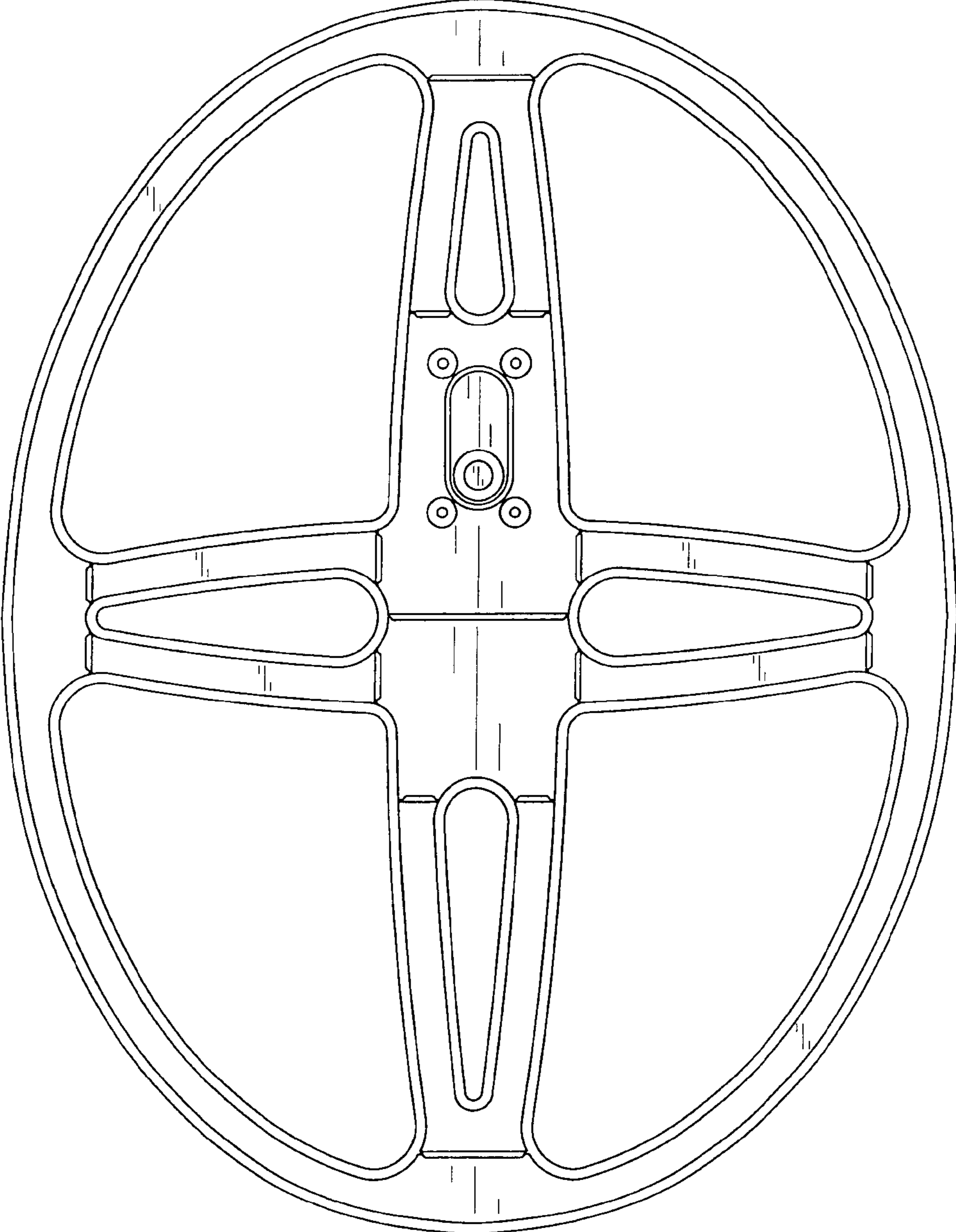


FIG. 2

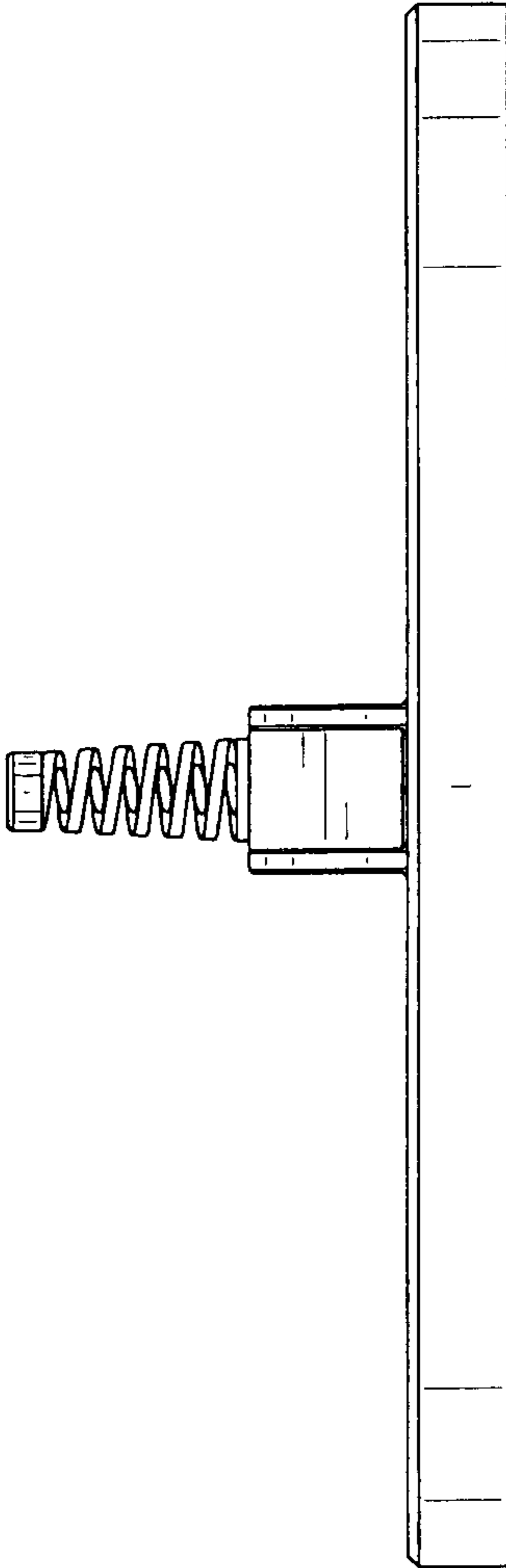


FIG. 3

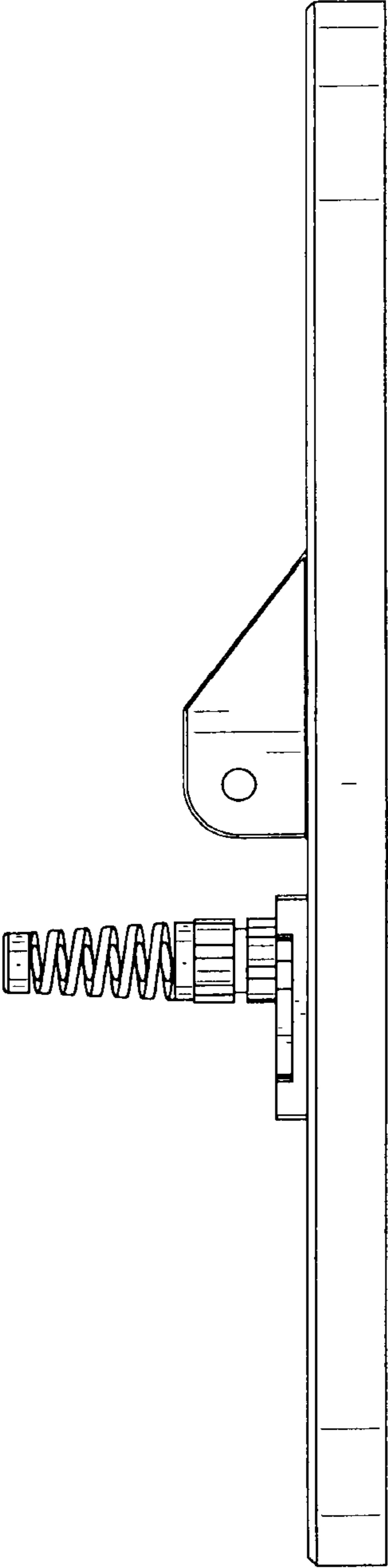


FIG. 4

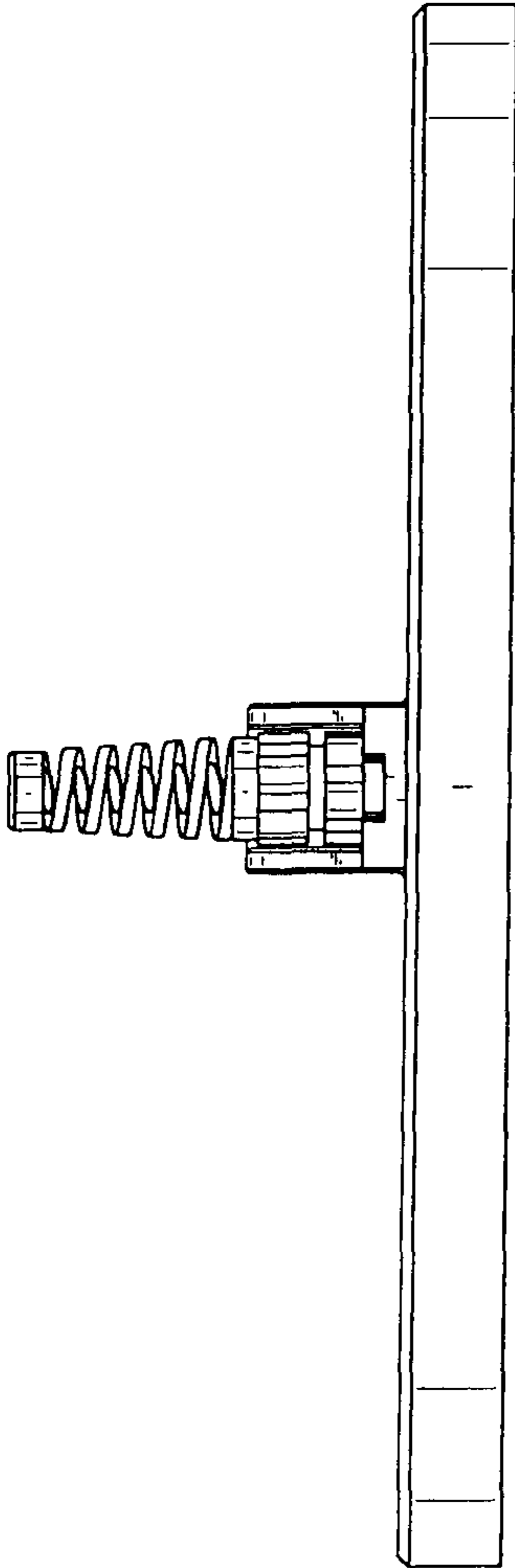


FIG. 5

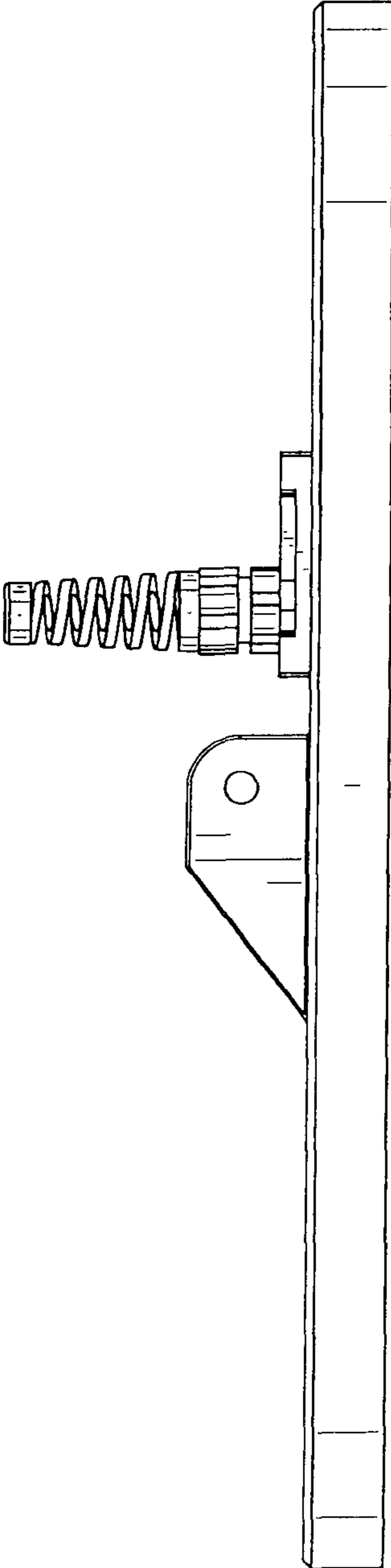


FIG. 6

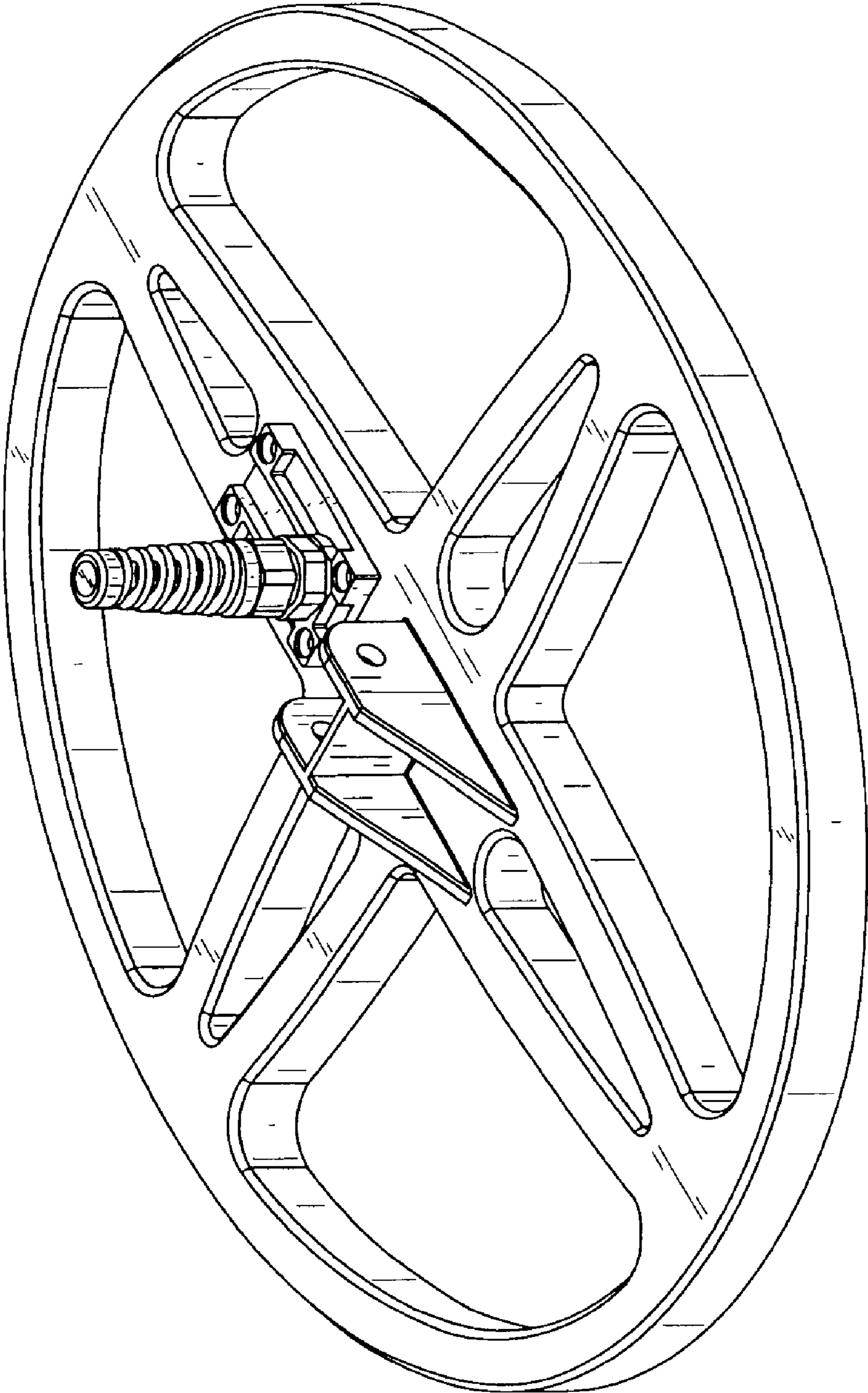


FIG. 7