



US00D531916S

(12) **United States Design Patent**
Galli

(10) **Patent No.:** **US D531,916 S**

(45) **Date of Patent:** **** Nov. 14, 2006**

(54) **WATCH CASING**

(75) Inventor: **Giorgio Galli**, Milan (IT)

(73) Assignee: **Callanen International, Inc.**, Norwalk, CT (US)

(**) Term: **14 Years**

(21) Appl. No.: **29/241,058**

(22) Filed: **Oct. 21, 2005**

(51) **LOC (8) Cl.** **10-02**

(52) **U.S. Cl.** **D10/31; D10/38**

(58) **Field of Classification Search** D10/30-39,
D10/123-126; 368/276-278, 281-283, 285,
368/21, 28-30, 223, 228, 232, 80, 239-242,
368/82-84

See application file for complete search history.

(56) **References Cited**

U.S. PATENT DOCUMENTS

1,980,207	A	*	11/1934	Kehl	206/301
2,044,808	A	*	6/1936	Povelsen	368/28
D256,561	S	*	8/1980	Muramatsu	D10/39
D311,693	S	*	10/1990	Woomer	D10/39
D317,873	S	*	7/1991	Woomer	D10/39
D317,874	S	*	7/1991	Woomer	D10/39
D318,807	S	*	8/1991	Lambert	D10/30
D377,612	S	*	1/1997	Lee	D10/31
5,854,773	A	*	12/1998	Lee	368/10
D453,690	S	*	2/2002	D'Origny	D10/39
D504,333	S	*	4/2005	Arabov	D10/39

FOREIGN PATENT DOCUMENTS

FR	2326729	*	3/1977
WO	DM 049360	*	4/1999
WO	DM 053315	*	9/2000

OTHER PUBLICATIONS

Hong Kong Enterprise, Nov. 1987, p. 339, item FL-S01, watch.*

Jeweler's Circular Keystone, Jan. 1982, p. 158, Pulsar two-faced quartz watch.*

* cited by examiner

Primary Examiner—Lucy Lieberman

(74) *Attorney, Agent, or Firm*—Carmody & Torrance LLP

(57) **CLAIM**

The ornamental design for a watch casing, as shown and described.

DESCRIPTION

FIG. 1 is a top plan view of a watch casing showing my new design;

FIG. 2 is a left side elevational view thereof;

FIG. 3 is a right side elevational view thereof;

FIG. 4 is a first end elevational view thereof;

FIG. 5 is a second end elevational view thereof;

FIG. 6 is a bottom plan view; and

FIG. 7 is a top plan view of a watch casing showing an alternate embodiment of my invention;

FIG. 8 is a left side elevational view of this alternate embodiment;

FIG. 9 is a right side elevational view of this alternate embodiment;

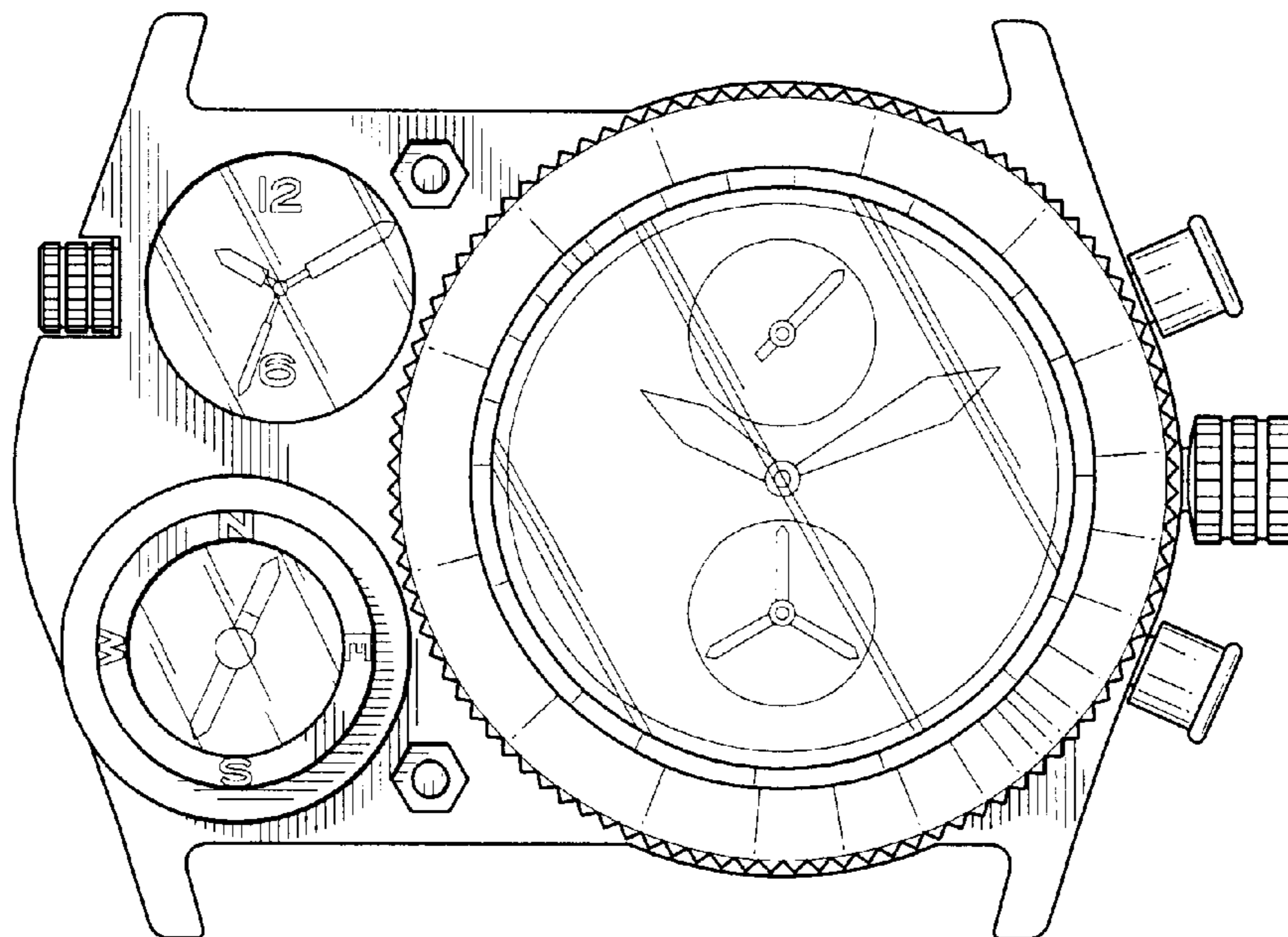
FIG. 10 is a first end elevational view of this alternate embodiment;

FIG. 11 is a second end elevational view of this alternate embodiment; and,

FIG. 12 is a bottom plan view of this alternate embodiment.

The broken line showings are environmental only and form no part of the claimed design.

1 Claim, 2 Drawing Sheets



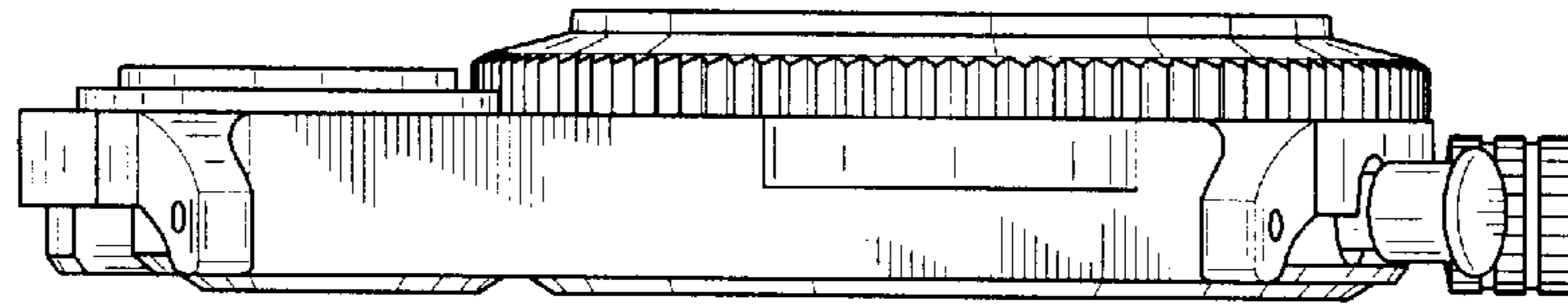


FIG. 4

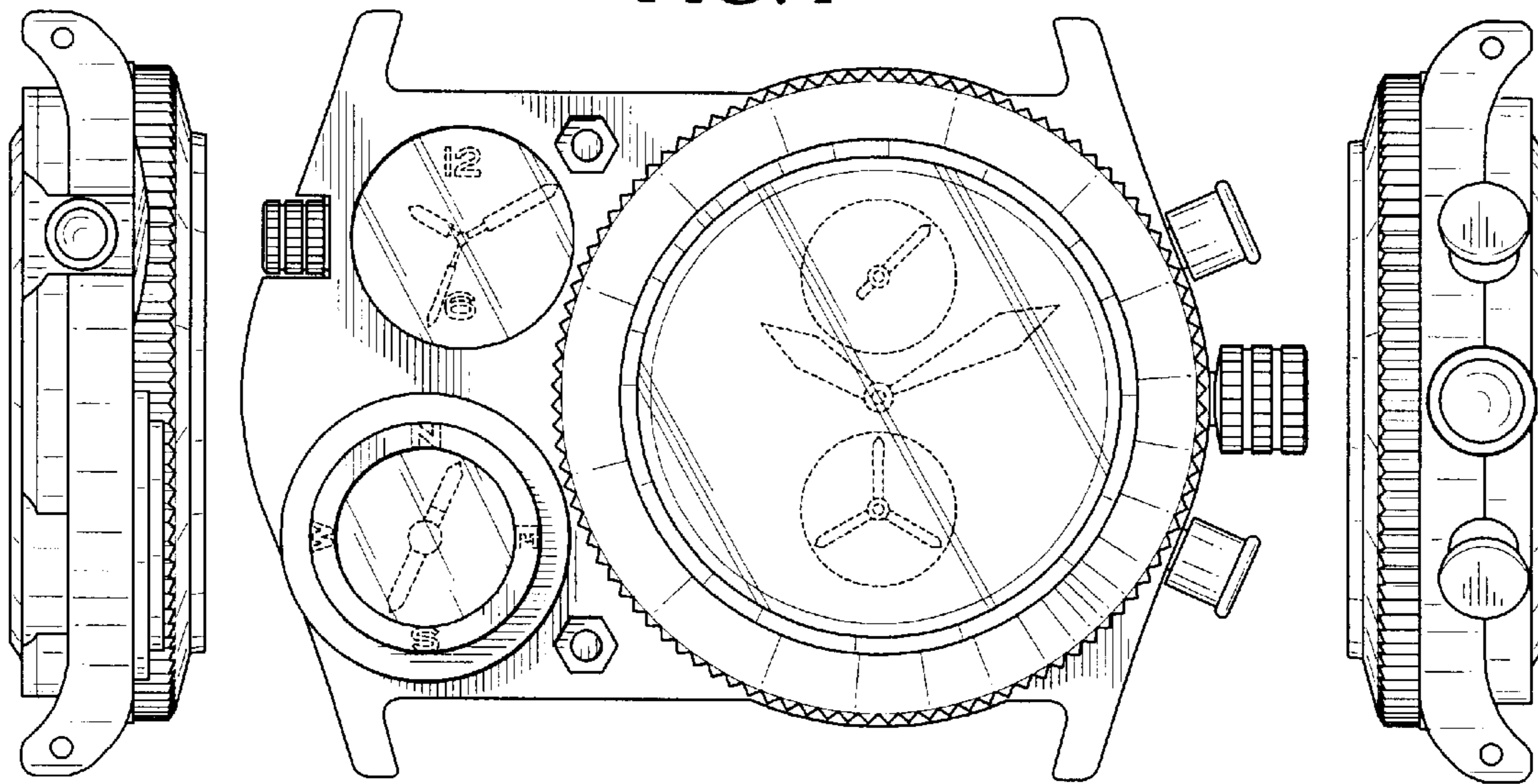


FIG. 1

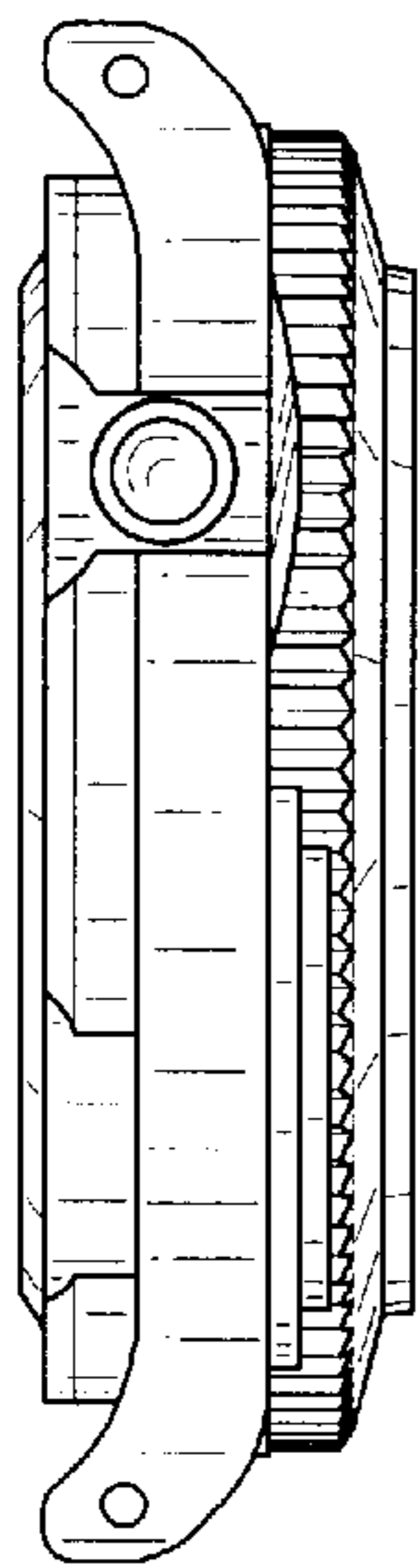


FIG. 2

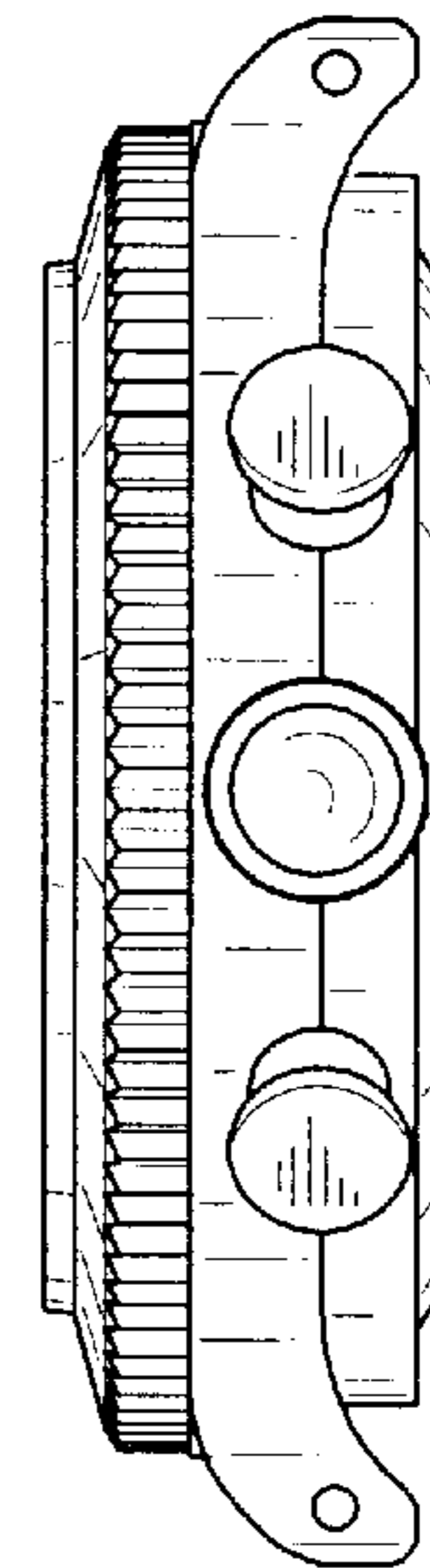


FIG. 3

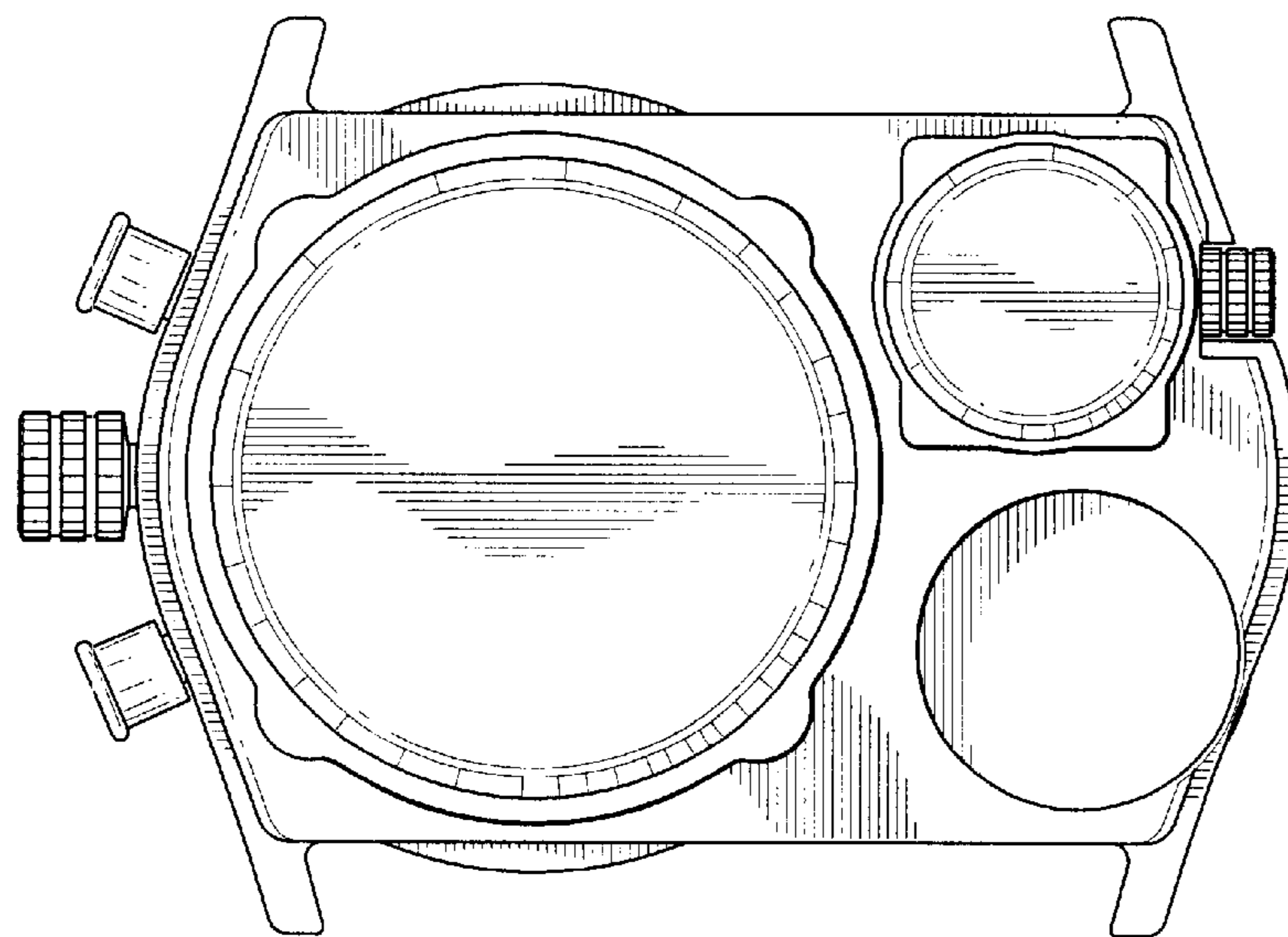


FIG. 6

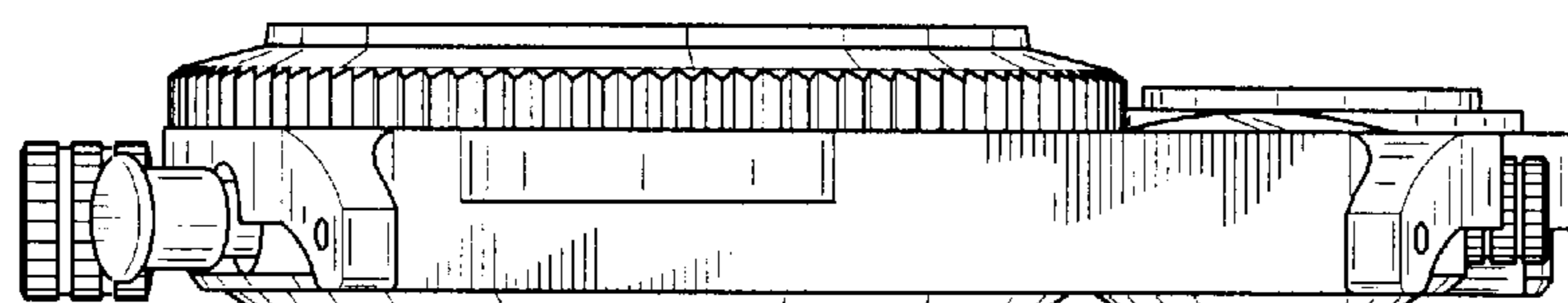


FIG. 5

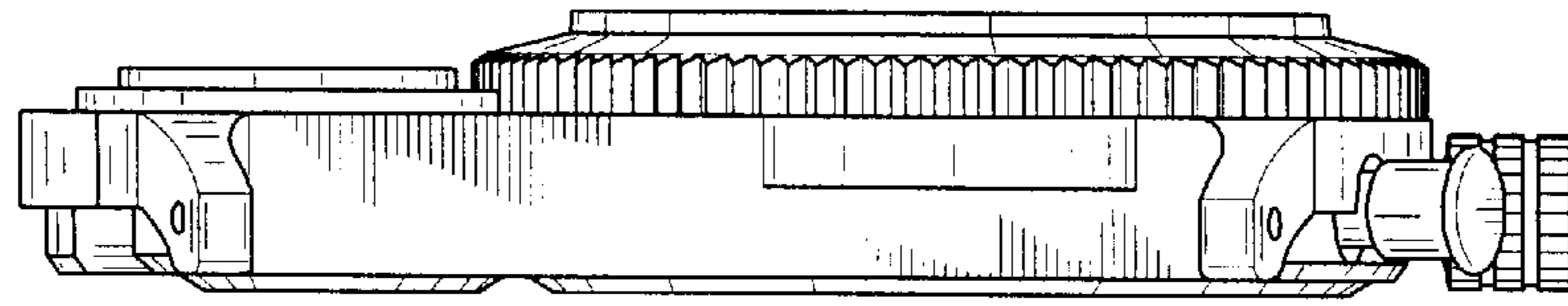


FIG. 10

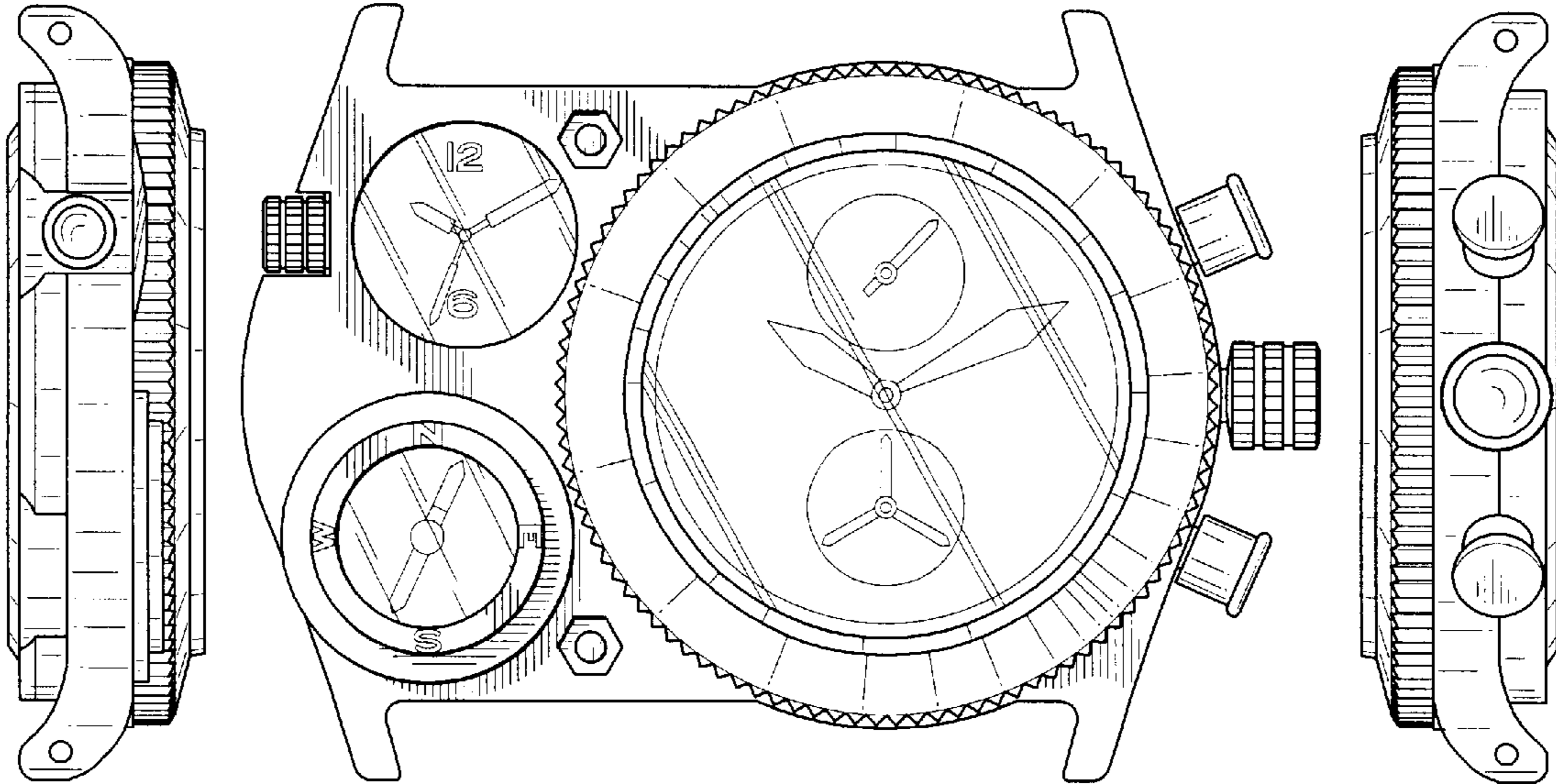


FIG. 8

FIG. 7

FIG. 9

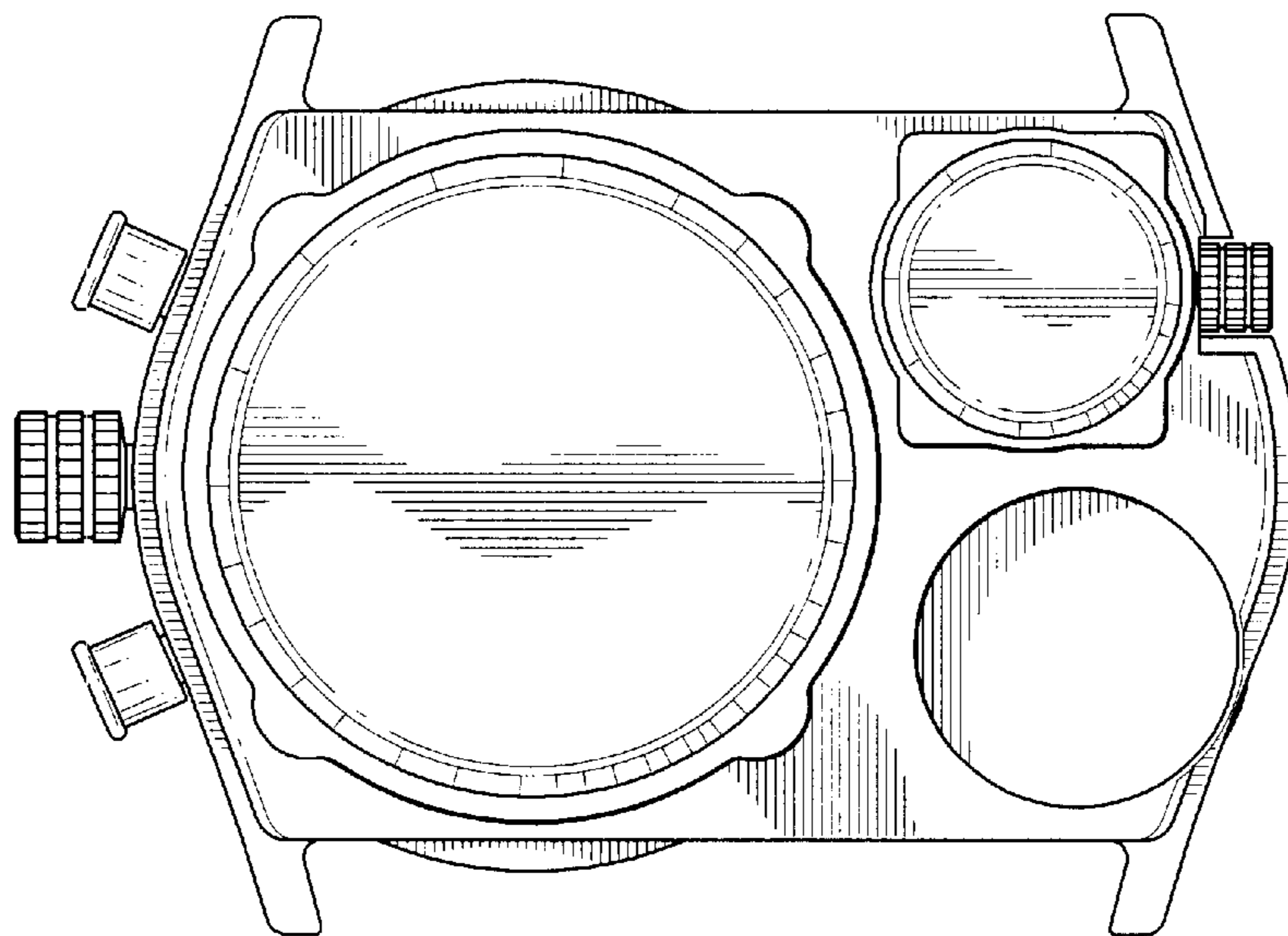


FIG. 12

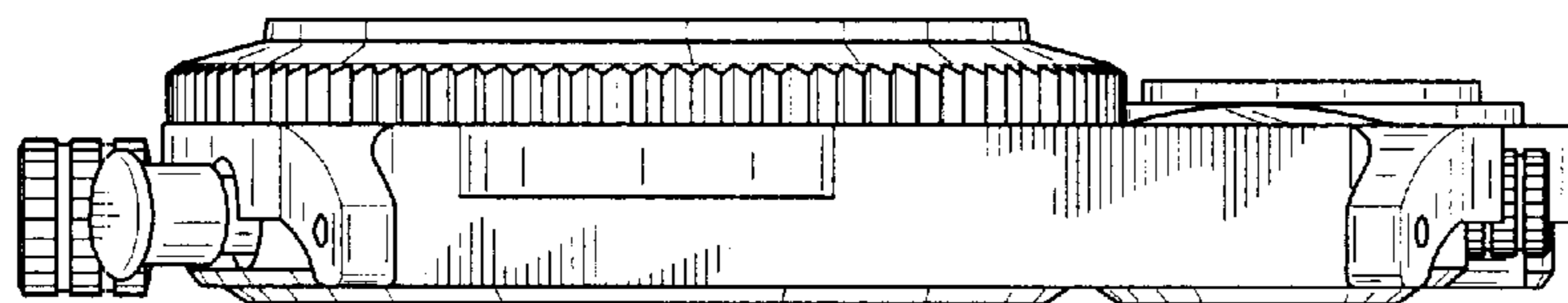


FIG. 11