

US00D531915S

(12) **United States Design Patent**  
**Bhavnani**

(10) **Patent No.:** **US D531,915 S**

(45) **Date of Patent:** **\*\* Nov. 14, 2006**

(54) **CLOCK WITH PENDULUM**

(75) Inventor: **Dilip Bhavnani**, Beverly Hills, CA  
(US)

(73) Assignee: **Sun Coast Merchandise Corporation**,  
Commerce, CA (US)

(\*\*) Term: **14 Years**

(21) Appl. No.: **29/256,082**

(22) Filed: **Mar. 14, 2006**

(51) **LOC (8) Cl.** ..... **10-01**

(52) **U.S. Cl.** ..... **D10/22**

(58) **Field of Classification Search** ..... D10/1-29;  
368/276, 285, 316, 317, 179-183, 278, 10,  
368/79, 239-242, 82-84, 277

See application file for complete search history.

(56) **References Cited**

U.S. PATENT DOCUMENTS

177,137	A	*	5/1876	Lourdelet	.....	368/179
248,716	A	*	10/1881	Davies	.....	368/179
3,762,155	A	*	10/1973	Marble	.....	368/10
D276,895	S	*	12/1984	Masuda	.....	D10/22
D315,683	S	*	3/1991	Odaka	.....	D10/24
D319,589	S	*	9/1991	Unruh et al.	.....	D10/23
D335,633	S	*	5/1993	Wada	.....	D10/28
D364,356	S	*	11/1995	Moore	.....	D10/29

D378,989	S	*	4/1997	Odaka	.....	D10/26
D422,921	S	*	4/2000	Hargrove, III	.....	D10/22
D443,830	S	*	6/2001	Young	.....	D10/2

OTHER PUBLICATIONS

Housewares, Oct. 21-27, 1986, p. 11, Seiko pendulum clock.\*

\* cited by examiner

*Primary Examiner*—Lucy Lieberman

(74) *Attorney, Agent, or Firm*—The Soni Law Firm

(57) **CLAIM**

The ornamental design for a clock with pendulum, as shown and described.

**DESCRIPTION**

FIG. 1 is a front side perspective view thereof with the phantom lines depicting environmental structure and forming no part of the claimed design;

FIG. 2 is a front elevational view thereof with the phantom lines depicting environmental structure and forming no part of the claimed design;

FIG. 3 is a side elevational view thereof;

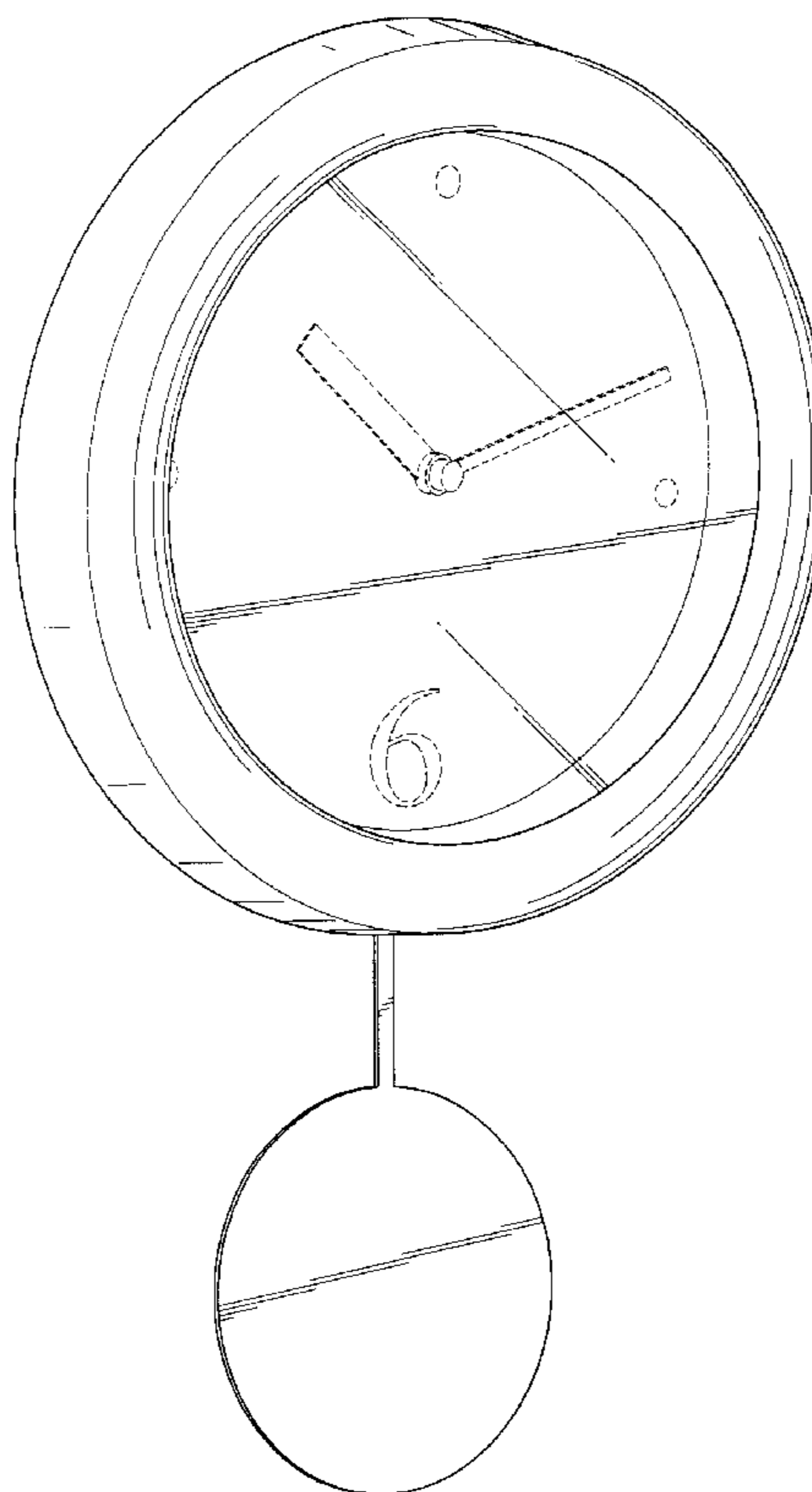
FIG. 4 is a side elevational view thereof;

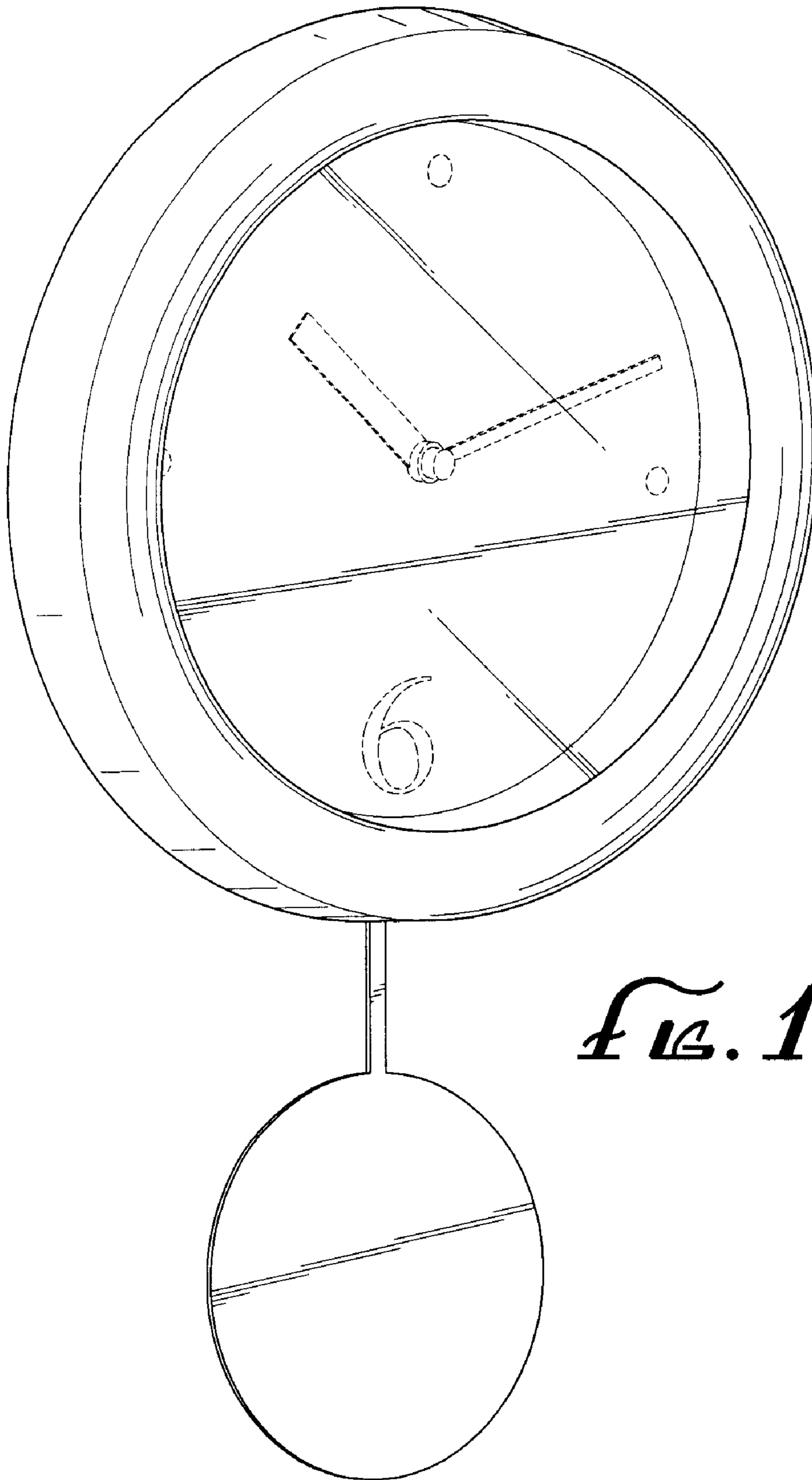
FIG. 5 is a top plan view thereof;

FIG. 6 is a bottom plan view thereof; and,

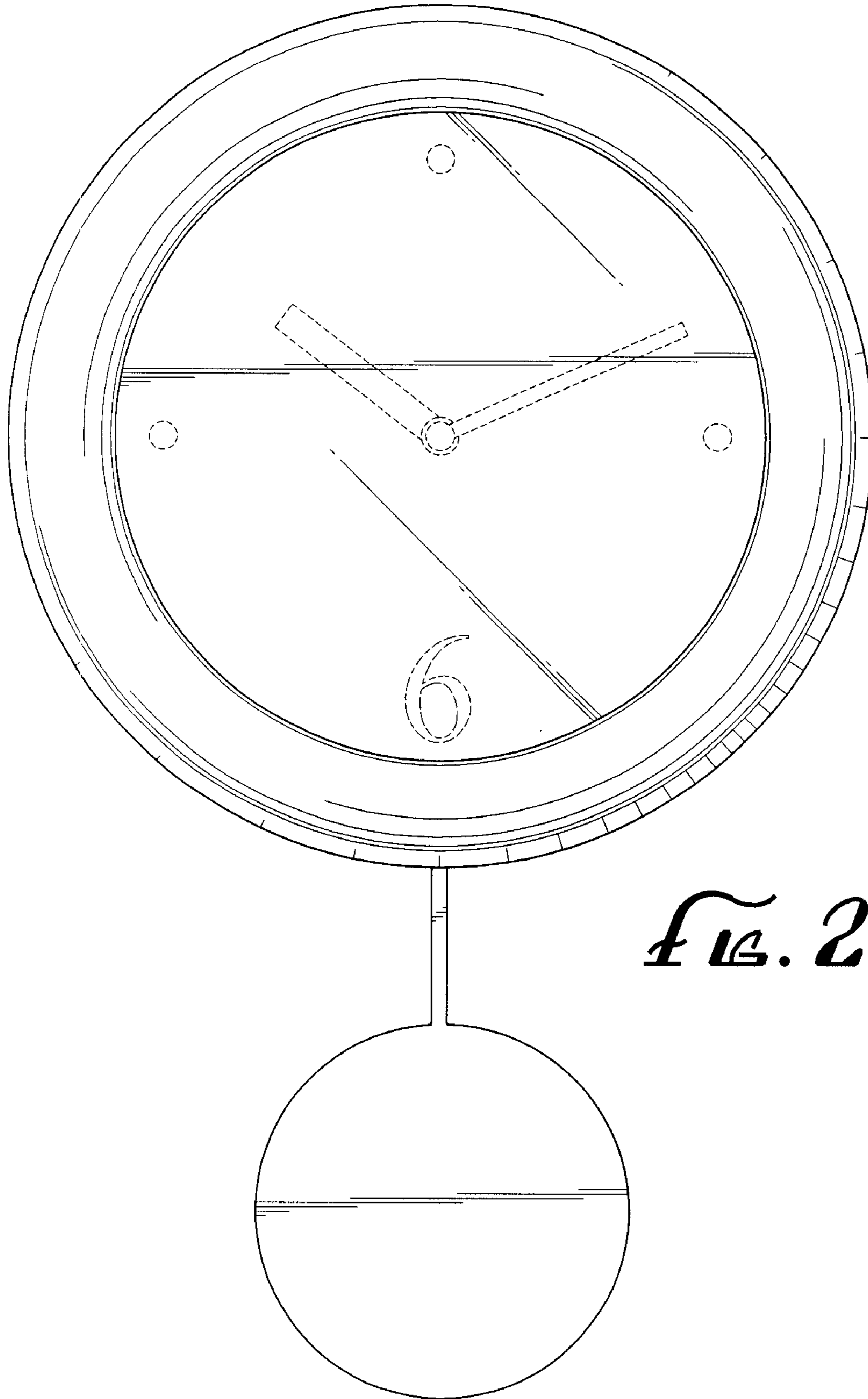
FIG. 7 is a back elevational view thereof.

**1 Claim, 5 Drawing Sheets**

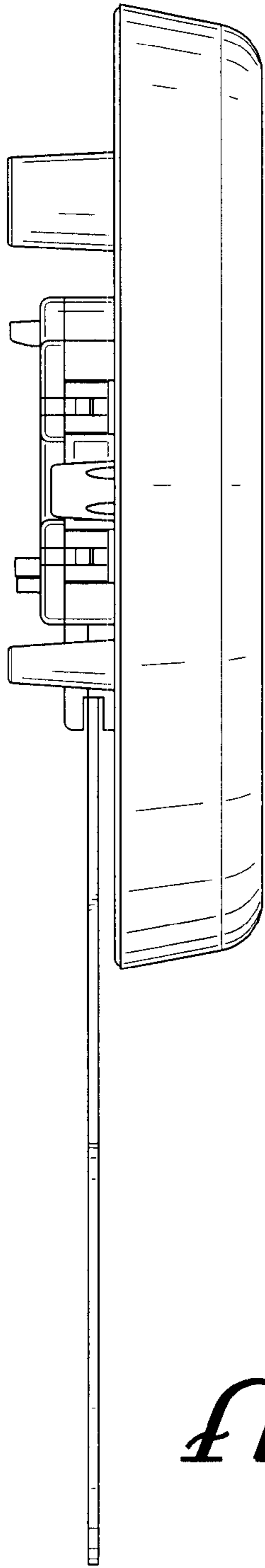




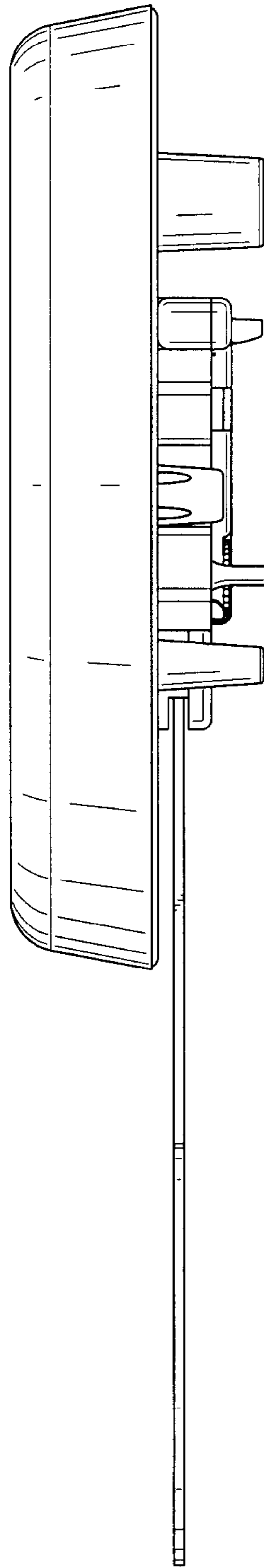
*FIG. 1*



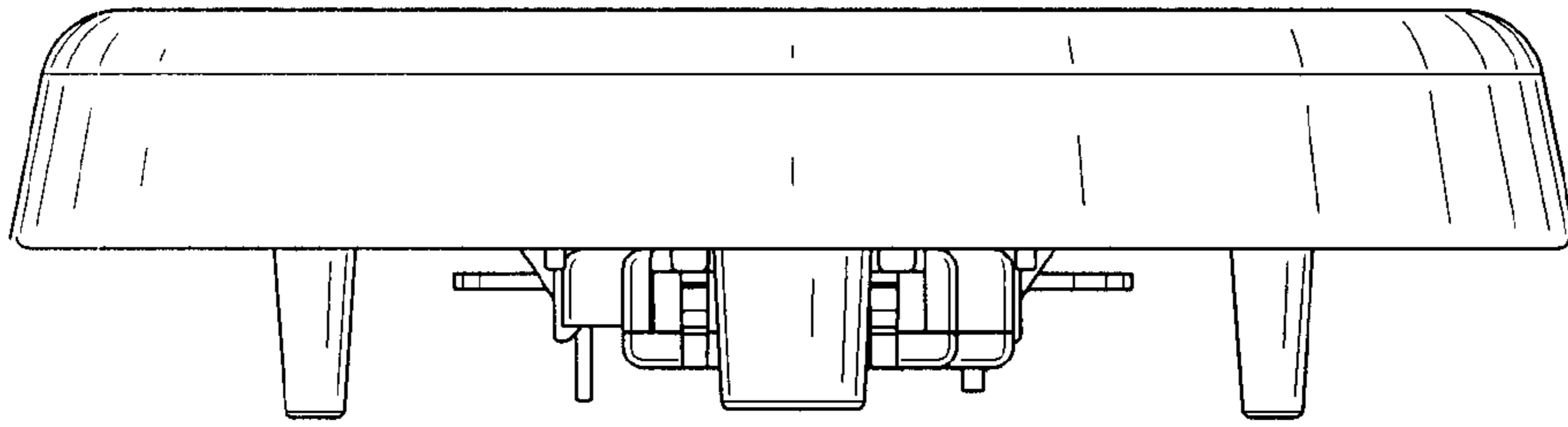
*Fig. 2*



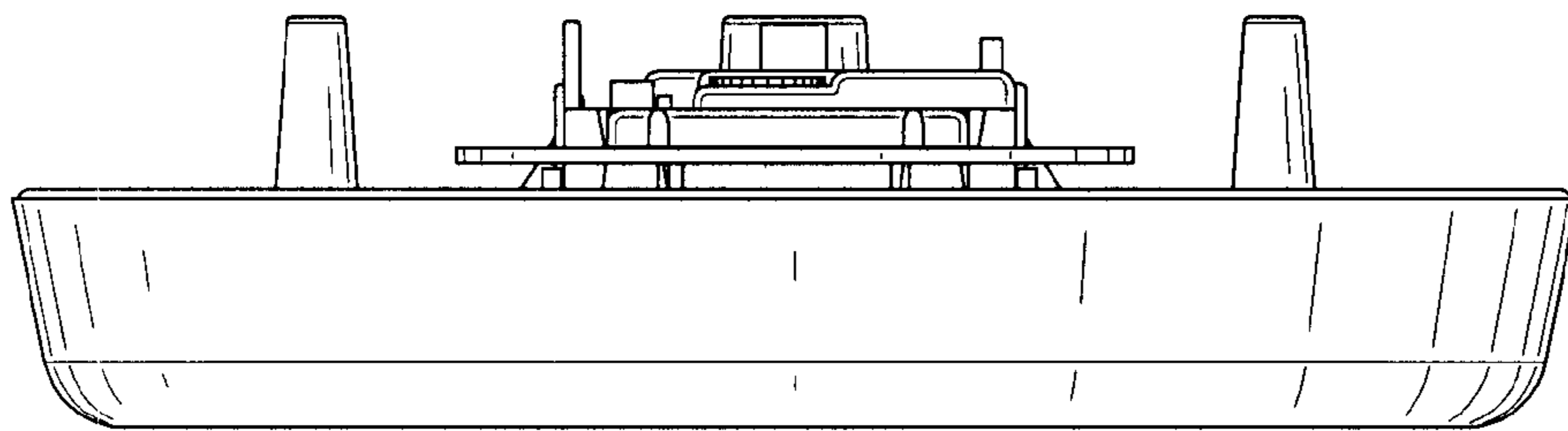
*FIG. 3*



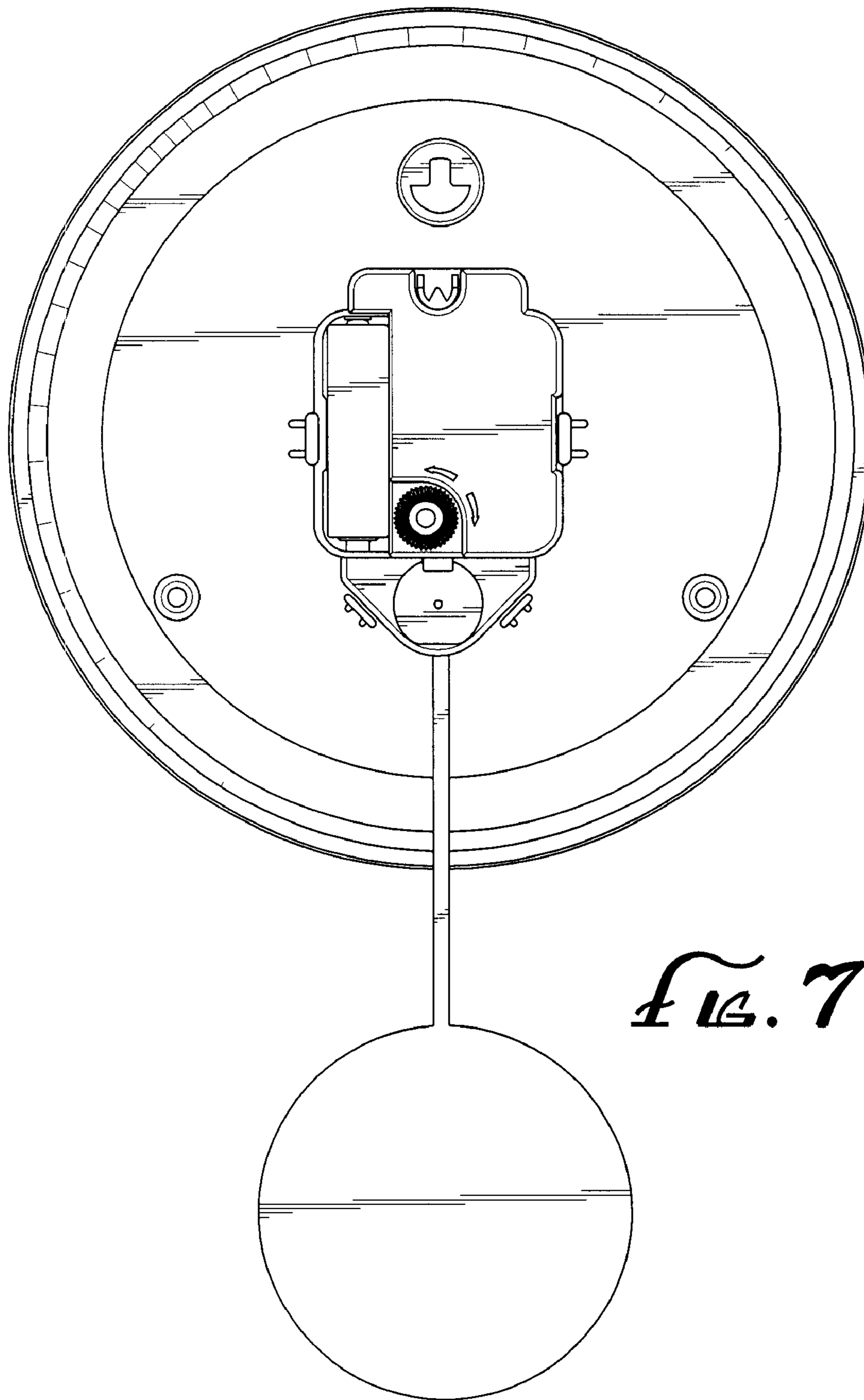
*FIG. 4*



*FIG. 5*



*FIG. 6*



*FIG. 7*