



US00D531910S

(12) **United States Design Patent**
Melrose

(10) **Patent No.:** **US D531,910 S**

(45) **Date of Patent:** **** Nov. 14, 2006**

(54) **BOTTLE**

(76) **Inventor:** **David Murray Melrose**, 90 Bairmoral Road, Mt. Eden, Auckland (NZ)

(**) **Term:** **14 Years**

(21) **Appl. No.:** **29/221,152**

(22) **Filed:** **Jan. 12, 2005**

(30) **Foreign Application Priority Data**

Jul. 20, 2004 (NZ) 405061
Aug. 18, 2004 (NZ) 405182

(51) **LOC (8) Cl.** **09-01**

(52) **U.S. Cl.** **D9/538**

(58) **Field of Classification Search** D6/417,
D6/502, 516, 530, 537-543, 549, 551, 556-558;
D7/312, 314, 316, 597, 608; 215/379, 381-385,
215/387; 220/660, 662, 665-666, 675
See application file for complete search history.

(56) **References Cited**

U.S. PATENT DOCUMENTS

5,971,184 A * 10/1999 Krishnakumar et al. 215/384
D423,940 S * 5/2000 Chimetto D9/541
D435,453 S * 12/2000 Krishnakumar et al. D9/537
D441,659 S * 5/2001 Di Canio et al. D9/550

D442,492 S * 5/2001 Krishnakumar et al. D9/537
6,273,282 B1 * 8/2001 Ogg et al. 215/381
D448,664 S * 10/2001 Lichtman et al. D9/539
D464,267 S * 10/2002 Mixon D9/539
D466,023 S * 11/2002 Eickmeier D9/556
D469,359 S * 1/2003 Bryant et al. D9/538
D480,650 S * 10/2003 Moore et al. D9/540
D482,976 S * 12/2003 Melrose D9/537

* cited by examiner

Primary Examiner—Ian Simmons

Assistant Examiner—Dana Sipos

(74) *Attorney, Agent, or Firm*—Henricks, Slavin & Holmes

(57) **CLAIM**

The ornamental design for a bottle, as shown and described.

DESCRIPTION

FIG. 1 is a front side view of a bottle showing my new design;
FIG. 2 is a side view thereof;
FIG. 3 is perspective view thereof; and,
FIG. 4 is an underneath view thereof.
The portions of the article not shown in the drawings form no part of the claimed design. The broken lines are for illustrative purposes only and form no part of the claimed design.

1 Claim, 4 Drawing Sheets

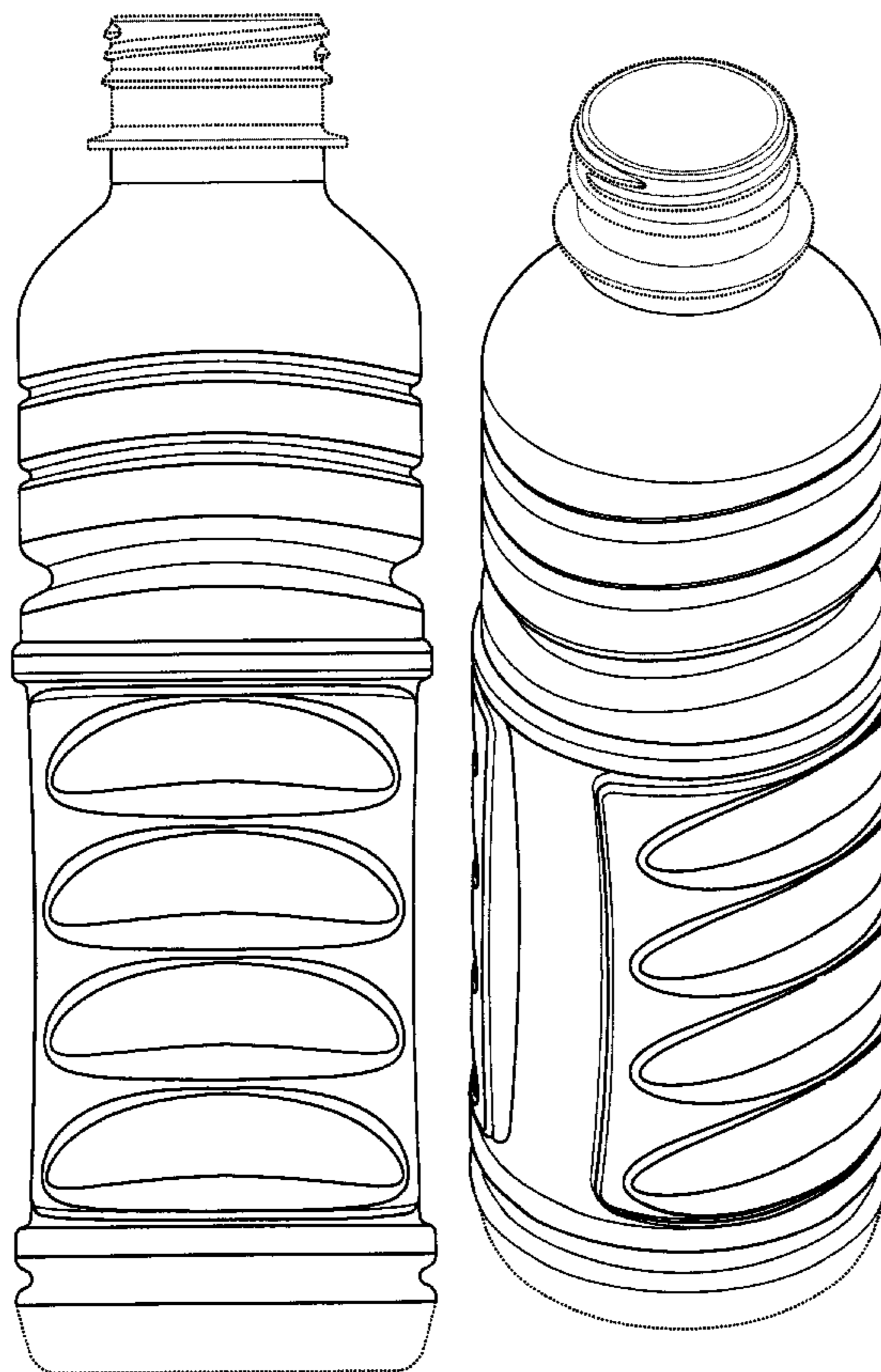


FIG 1

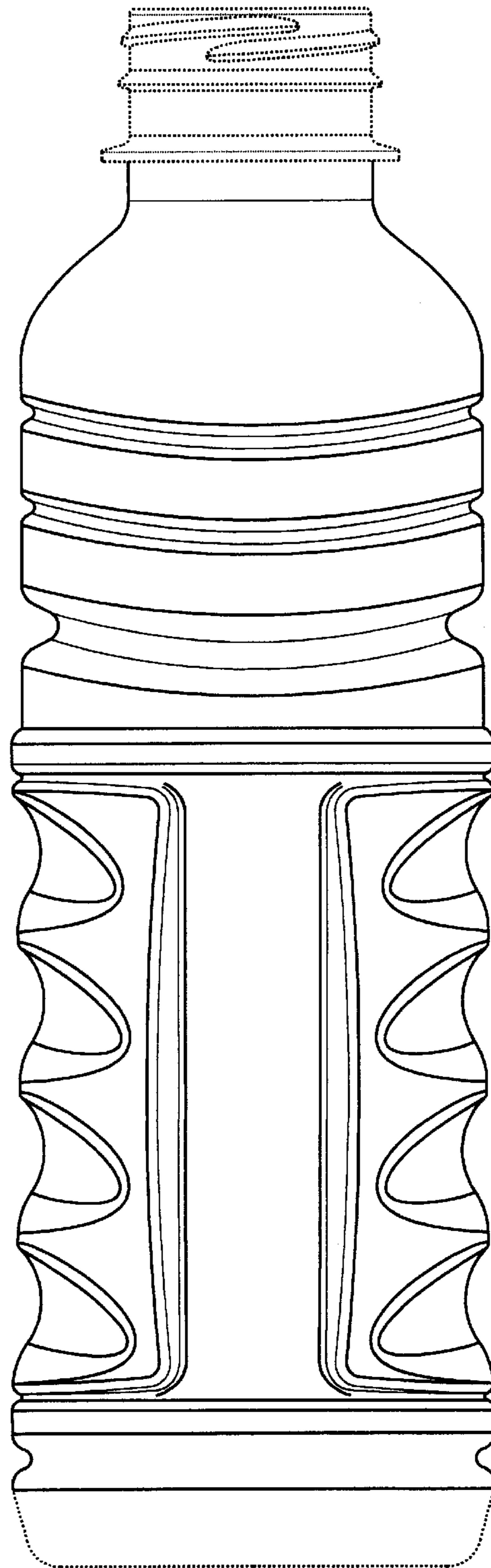


FIG 2

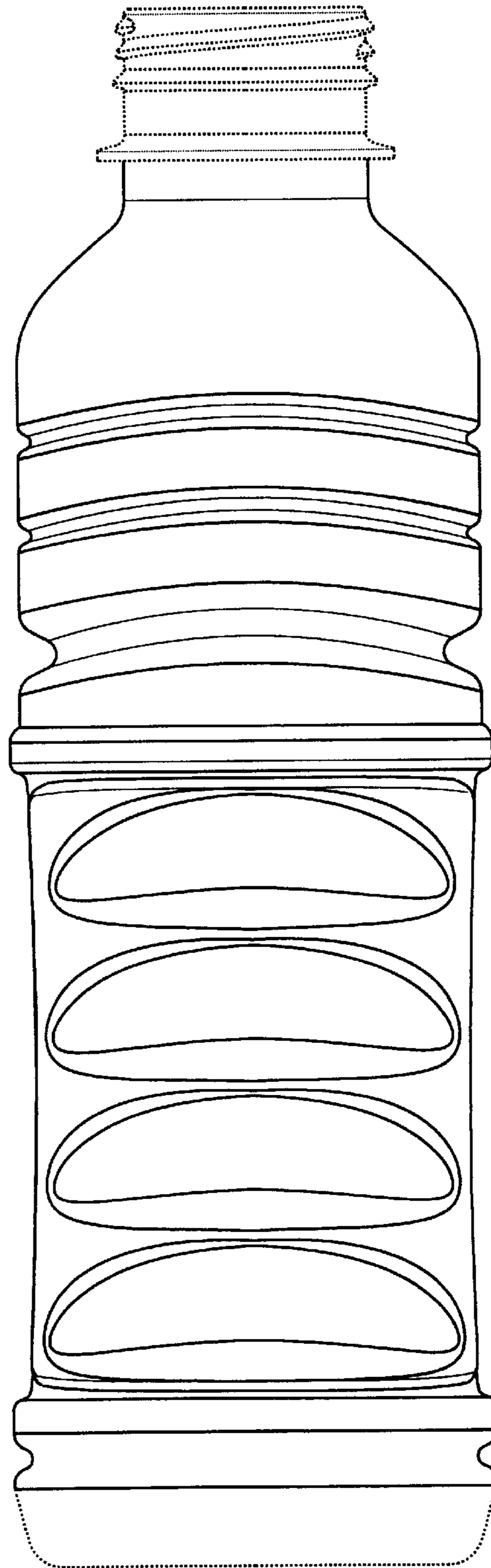


FIG 3

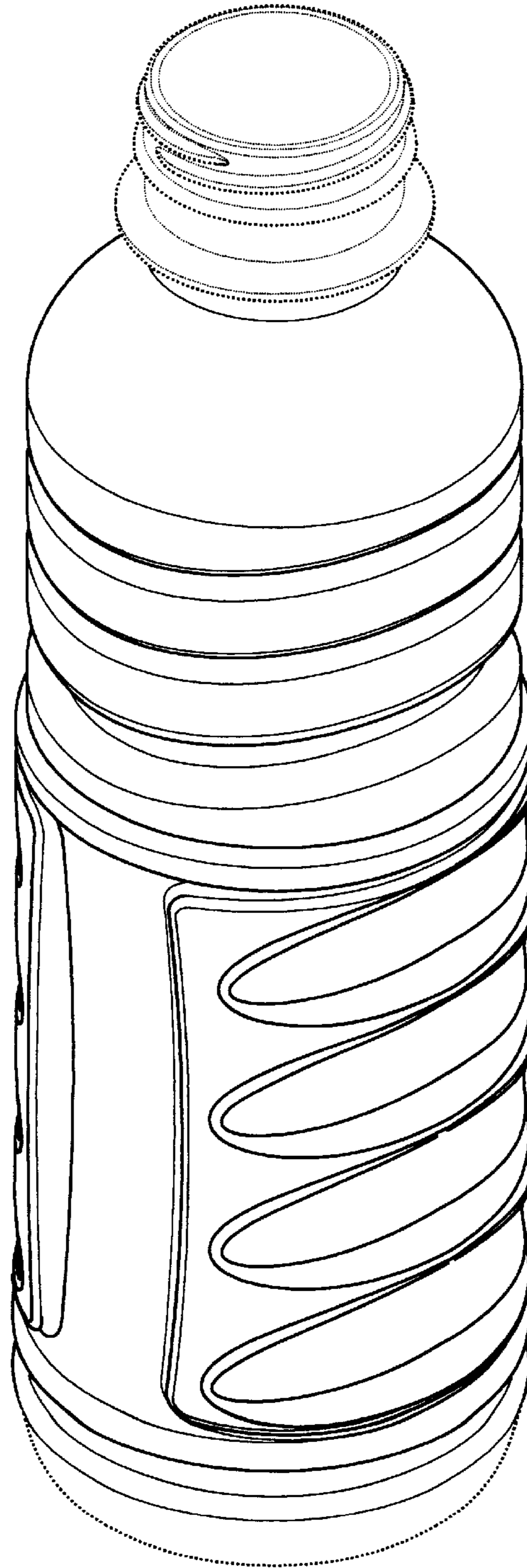
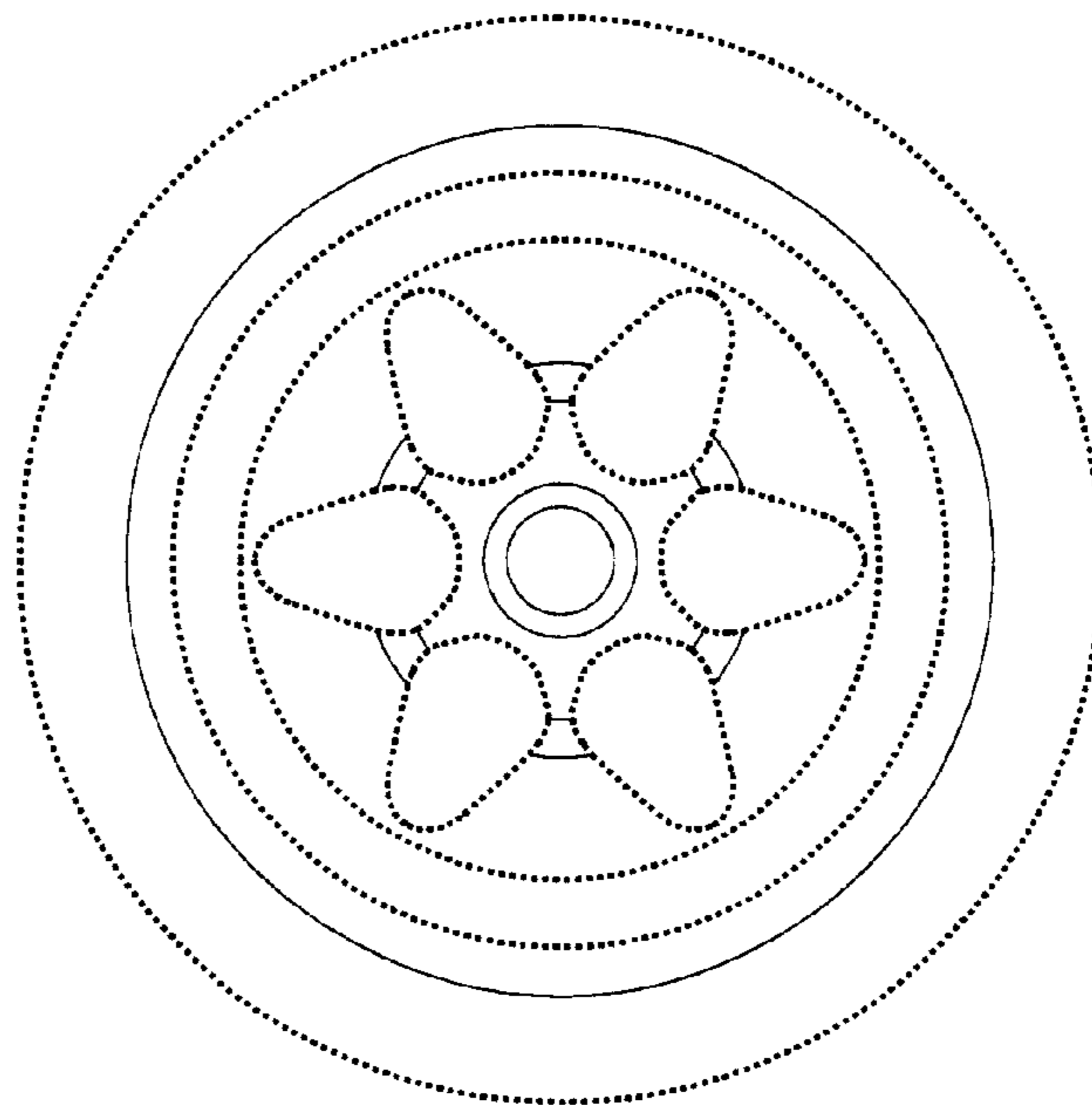


FIG 4



UNITED STATES PATENT AND TRADEMARK OFFICE
CERTIFICATE OF CORRECTION

PATENT NO. : Des. 531,910 S
APPLICATION NO. : 29/221152
DATED : November 14, 2006
INVENTOR(S) : David Murray Melrose

Page 1 of 1

It is certified that error appears in the above-identified patent and that said Letters Patent is hereby corrected as shown below:

On Title page item (76)
Please change "Bairnoval" to read

--90 Balmoral Road, Mt. Eden, Auckland (NZ).

Signed and Sealed this

Sixteenth Day of January, 2007

A handwritten signature in black ink on a dotted background. The signature reads "Jon W. Dudas" in a cursive style.

JON W. DUDAS

Director of the United States Patent and Trademark Office