



US00D531900S

(12) **United States Design Patent**
Mavin et al.

(10) **Patent No.:** **US D531,900 S**

(45) **Date of Patent:** **** Nov. 14, 2006**

(54) **CLOSURE FOR CONTAINER**
(75) Inventors: **Gerry Mavin**, Ashington (GB);
Timothy Stephenson, Doncaster (GB)

D204,103 S * 3/1966 Lydon D9/447
D335,449 S * 5/1993 Appla D9/447
D336,430 S * 6/1993 Maguire et al. D9/448
D513,180 S * 12/2005 Lindsey et al. D9/447

(73) Assignee: **Portola Packaging, Limited**, Doncaster (GB)

* cited by examiner

(**) Term: **14 Years**

Primary Examiner—Robert M. Spear
Assistant Examiner—Susan Bennett Hattan
(74) *Attorney, Agent, or Firm*—Dorsey & Whitney LLP

(21) Appl. No.: **29/238,587**

(22) Filed: **Sep. 16, 2005**

(57) **CLAIM**

(30) **Foreign Application Priority Data**

The ornamental design for a closure for container, as shown and described.

Mar. 17, 2005 (EM) 000316377-0001

DESCRIPTION

(51) **LOC (8) Cl.** **09-07**

(52) **U.S. Cl.** **D9/447**

(58) **Field of Classification Search** D9/453,
D9/452, 449, 447, 443, 440, 439, 435; D7/415,
D7/398, 397, 312; 401/90; 251/353; 239/337;
222/557, 556, 548, 402, 402.21, 402.13
See application file for complete search history.

FIG. 1 is an upper perspective view of a closure for container showing our new design;
FIG. 2 is a top plan view thereof;
FIG. 3 is a front elevational view thereof, with the rear being a mirror image; and,
FIG. 4 is a right side elevational view thereof, with the other side being a mirror image.

(56) **References Cited**

U.S. PATENT DOCUMENTS

3,206,060 A * 9/1965 Turner 220/611

1 Claim, 4 Drawing Sheets

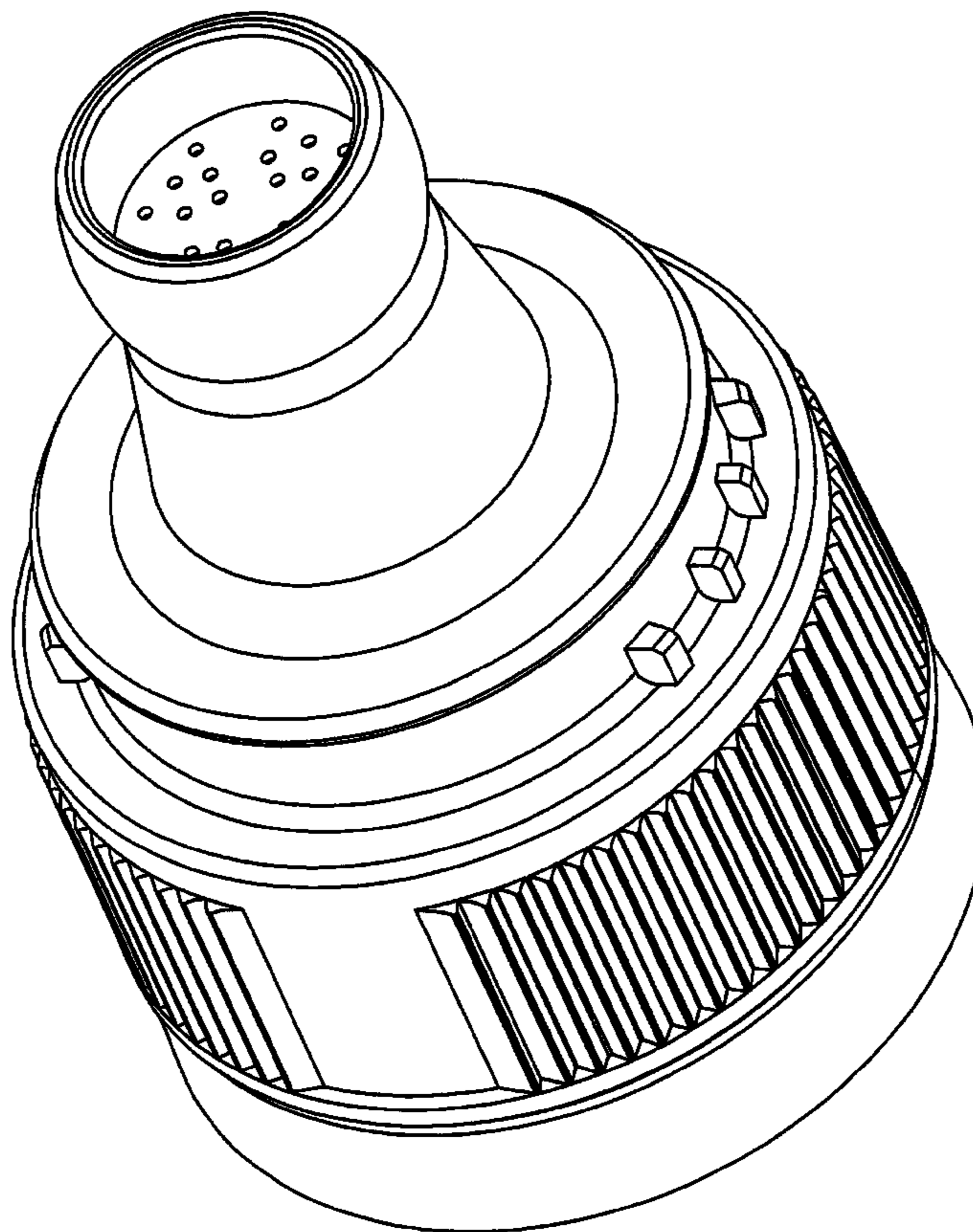


Fig. 1

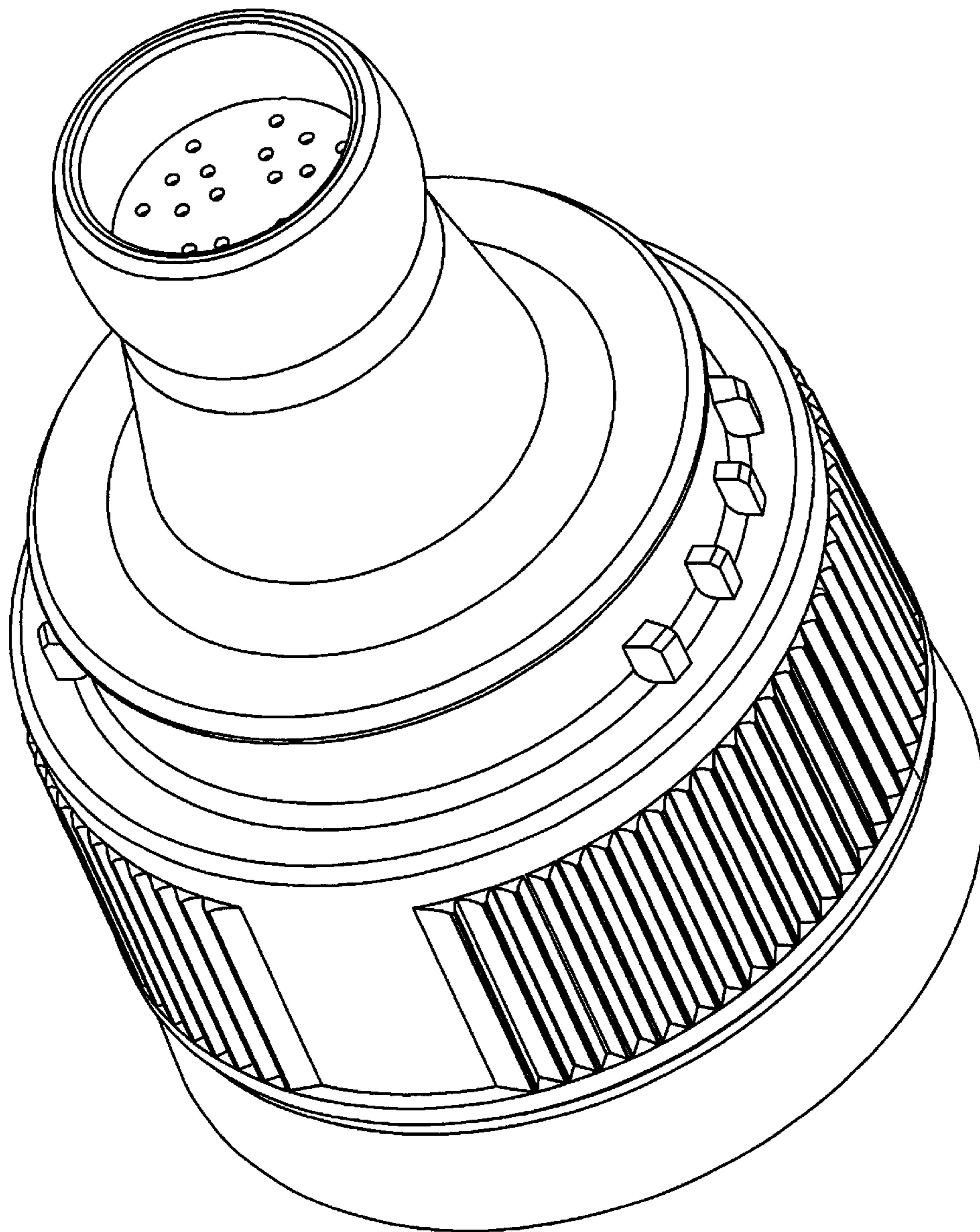


Fig. 2

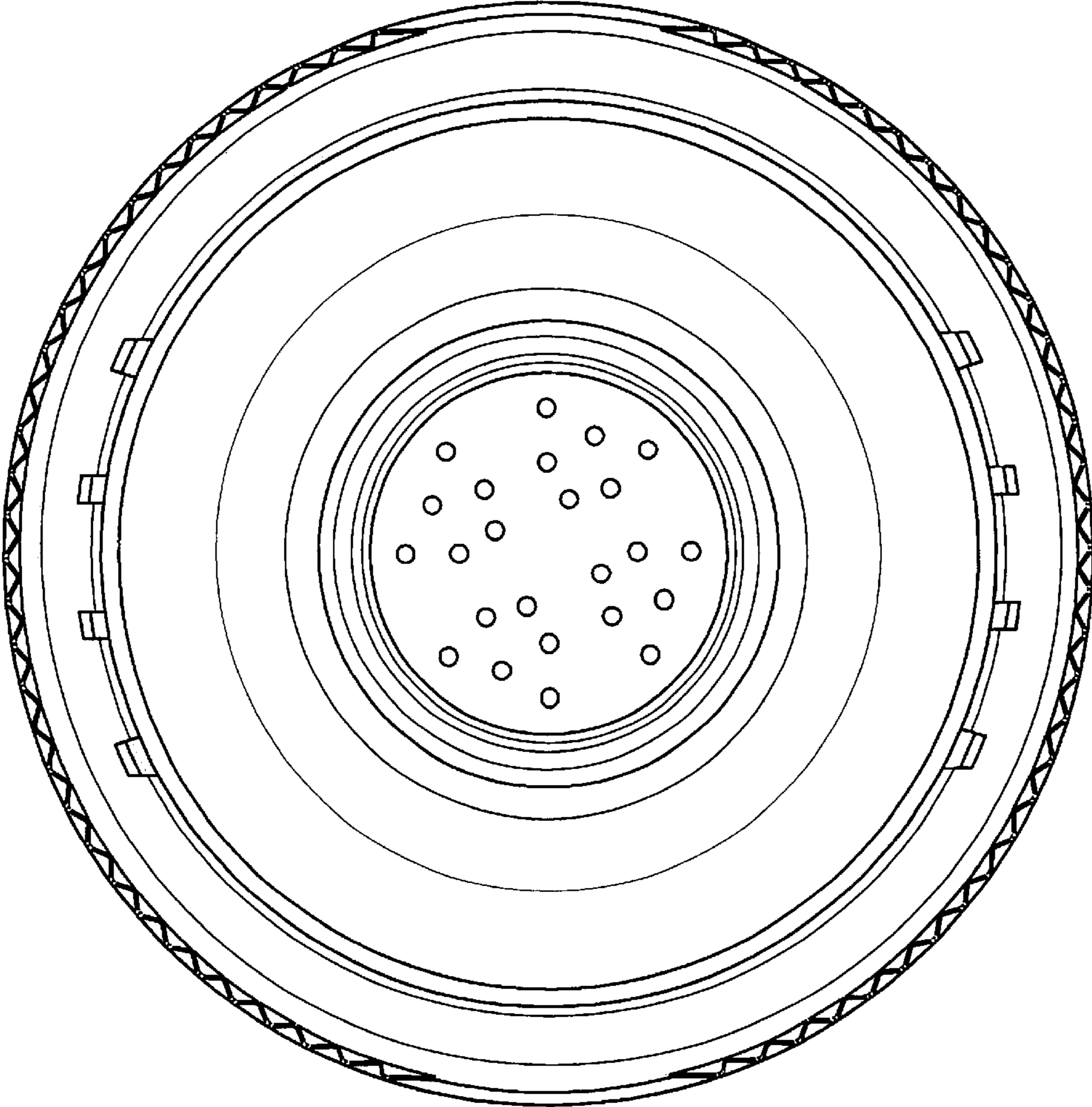


Fig. 3

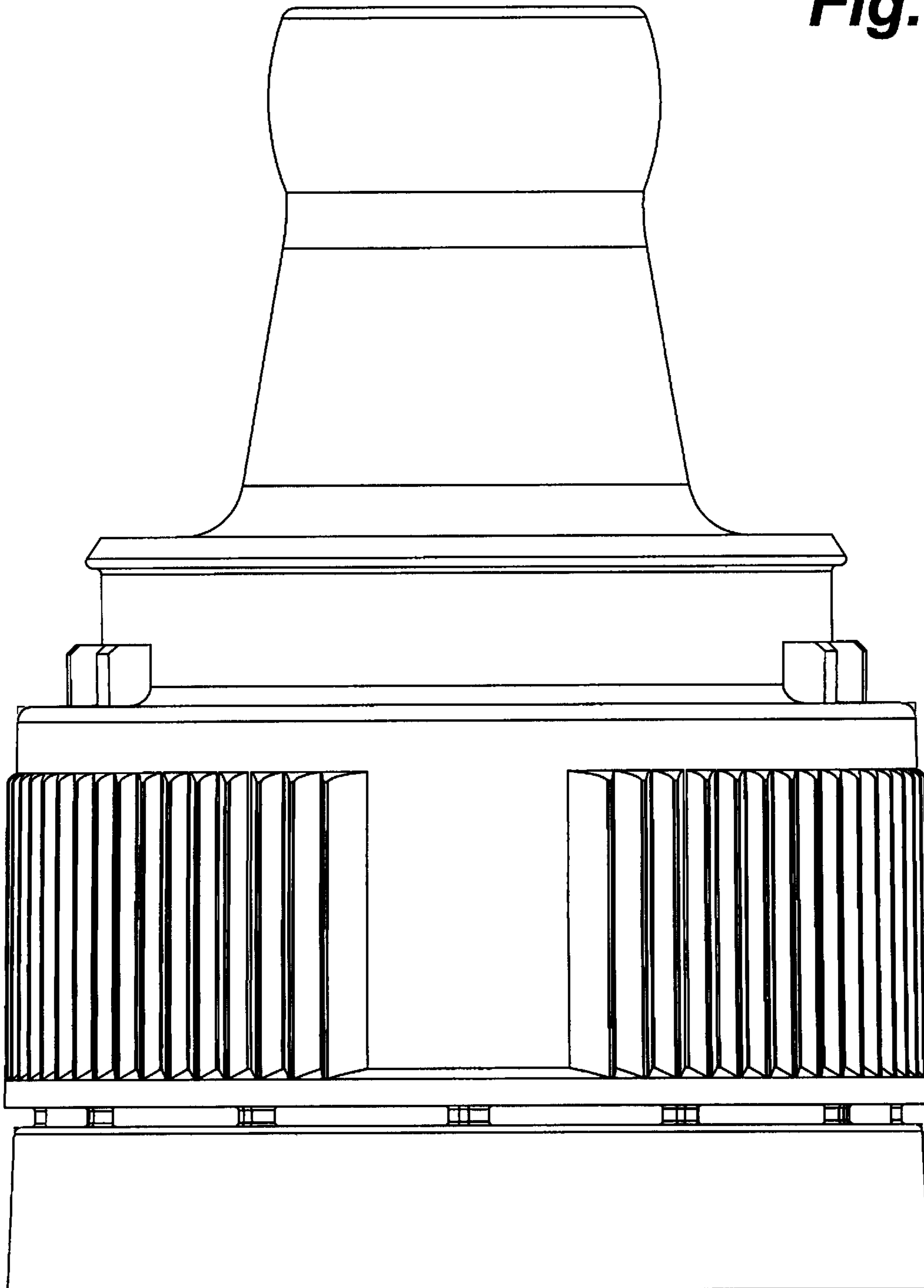


Fig. 4

