



US00D531898S

(12) **United States Design Patent**  
**Correll**

(10) **Patent No.:** **US D531,898 S**

(45) **Date of Patent:** **\*\* Nov. 14, 2006**

(54) **COVER PANEL OF A BOX BLANK**

(76) Inventor: **John D. Correll**, 8459 Holly Dr.,  
Canton, MI (US) 48187-4237

(\*\*) Term: **14 Years**

(21) Appl. No.: **29/239,840**

(22) Filed: **Oct. 5, 2005**

(51) **LOC (8) Cl.** ..... **09-07**

(52) **U.S. Cl.** ..... **D9/435**

(58) **Field of Classification Search** ..... D9/753,  
D9/632, 457, 456, 435, 434, 433, 423, 418;  
D5/63; D3/63; D2/869; 221/63; 206/197,  
206/188, 182, 173

See application file for complete search history.

(56) **References Cited**

**U.S. PATENT DOCUMENTS**

86,544	A	*	2/1869	Howells	.....	206/337
687,968	A	*	12/1901	Reber	.....	229/113
D371,296	S	*	7/1996	Correll	.....	D9/456
5,918,797	A		7/1999	Correll		

D502,031 S \* 2/2005 Cassidy et al. .... D6/511  
D505,809 S \* 6/2005 Cassidy et al. .... D6/491

\* cited by examiner

*Primary Examiner*—Robert M. Spear  
*Assistant Examiner*—Susan Bennett Hattan

(57) **CLAIM**

I claim the ornamental design for a cover panel of a box blank, as shown and described.

**DESCRIPTION**

FIG. 1 is a top perspective view of a cover panel of a box blank showing my new design, the broken line showing of the adjacent appended components is for illustrative purposes only and forms no part of the claimed design;

FIG. 2 is a top plan view of the cover panel; the bottom view being identical.

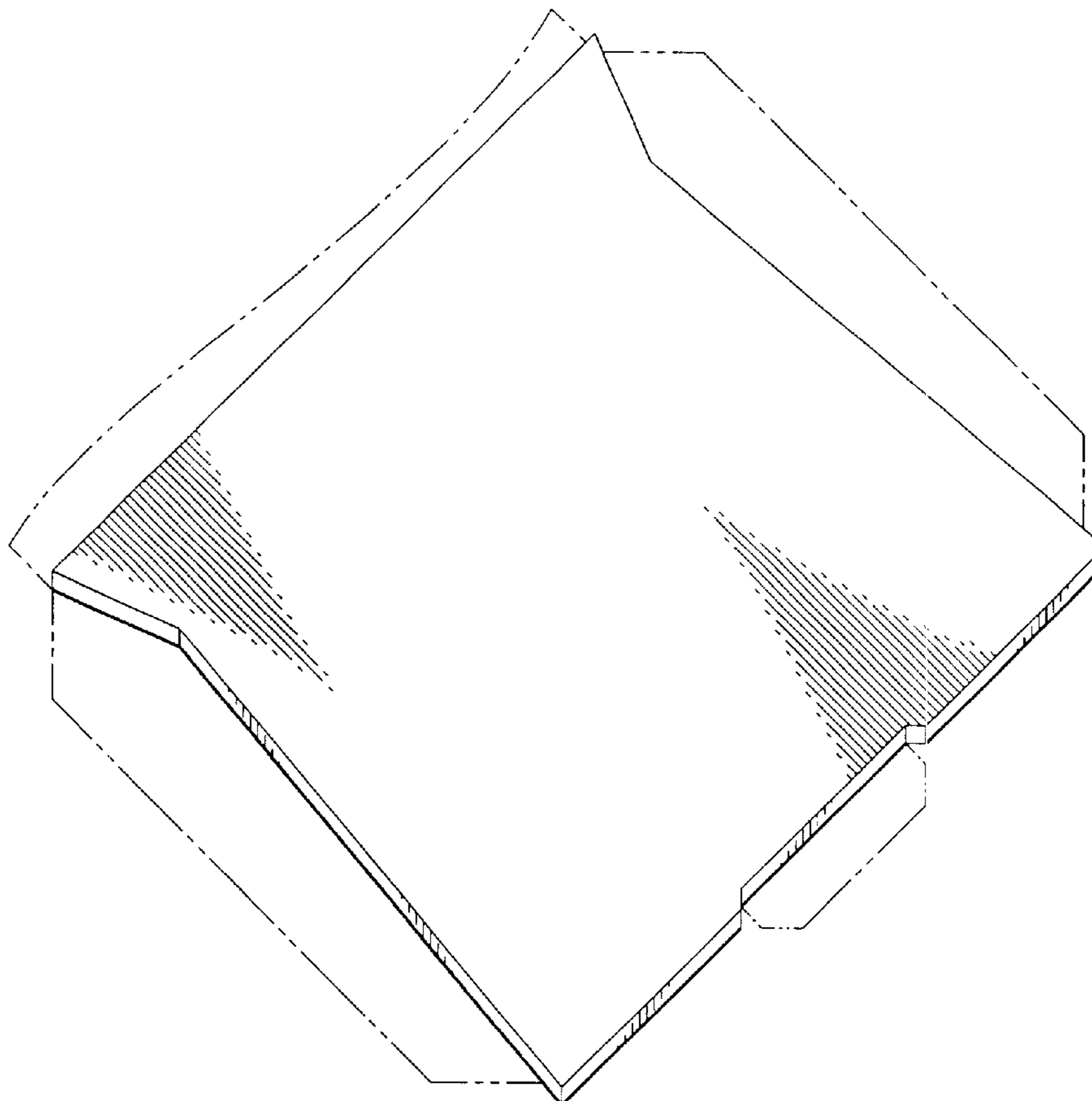
FIG. 3 is a front elevation view of the cover panel;

FIG. 4 is a right side elevation view of the cover panel;

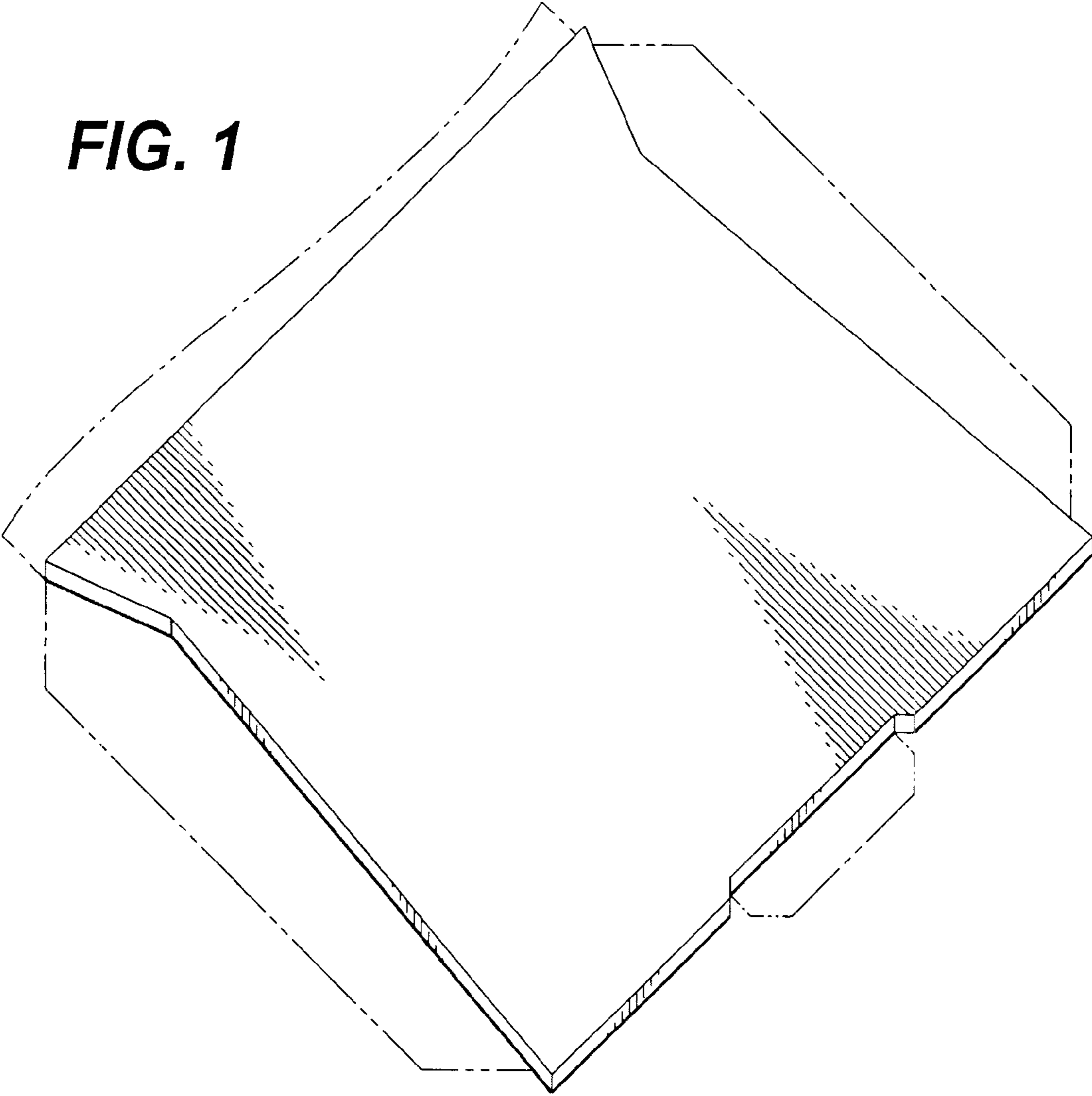
FIG. 5 is a left side elevation view of the cover panel; and,

FIG. 6 is a rear elevation view of the cover panel.

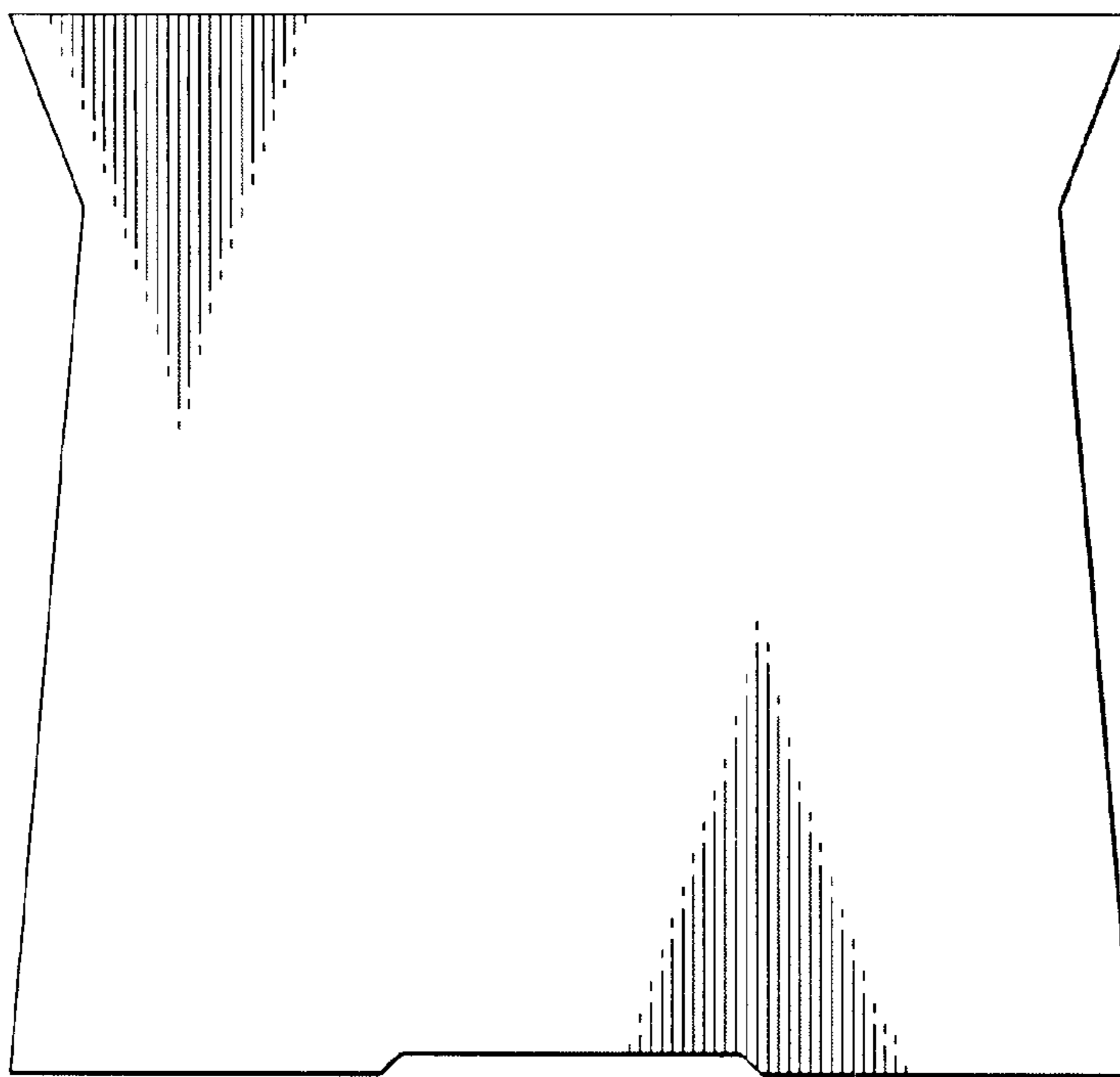
**1 Claim, 2 Drawing Sheets**



**FIG. 1**



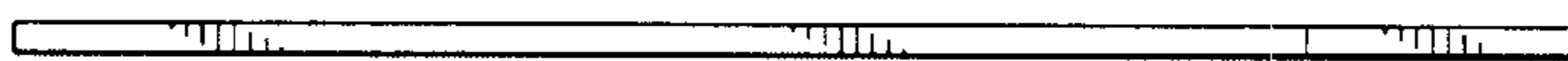
**FIG. 2**



**FIG. 3**



**FIG. 4**



**FIG. 5**



**FIG. 6**

