



US00D531895S

(12) **United States Design Patent**  
**Mao et al.**

(10) **Patent No.:** **US D531,895 S**

(45) **Date of Patent:** **\*\* Nov. 14, 2006**

(54) **CONTAINER FOR FOODSTUFFS**  
(75) Inventors: **Nolwenn Mao**, Staffordshire (GB);  
**Mark Newton**, Derbyshire (GB);  
**Sylvain Finel**, Agon Coutainville (FR)

4,446,969 A \* 5/1984 Tyler ..... 206/519  
D300,294 S \* 3/1989 Pozzi ..... D7/603  
D337,413 S \* 7/1993 Kraner ..... D3/312  
D468,200 S \* 1/2003 Kim et al. .... D9/428

\* cited by examiner

(73) Assignee: **Soleco Societe Legumiere du**  
**Contentin**, Lessay (FR)

*Primary Examiner*—Stella Reid  
*Assistant Examiner*—Derrick Holland

(\*\*) Term: **14 Years**

(74) *Attorney, Agent, or Firm*—Young & Thompson

(21) Appl. No.: **29/205,003**

(57) **CLAIM**

(22) Filed: **May 10, 2004**

The ornamental design for a container for foodstuffs, as shown and described.

(30) **Foreign Application Priority Data**

**DESCRIPTION**

Nov. 11, 2003 (EM) ..... 102215

(51) **LOC (8) Cl.** ..... **09-03**

(52) **U.S. Cl.** ..... **D9/428**

(58) **Field of Classification Search** ..... D9/418,  
D9/414, 428, 429, 555–557; D7/604; 206/508,  
206/510; 229/117.09, 117.21, 117.25, 117.26  
See application file for complete search history.

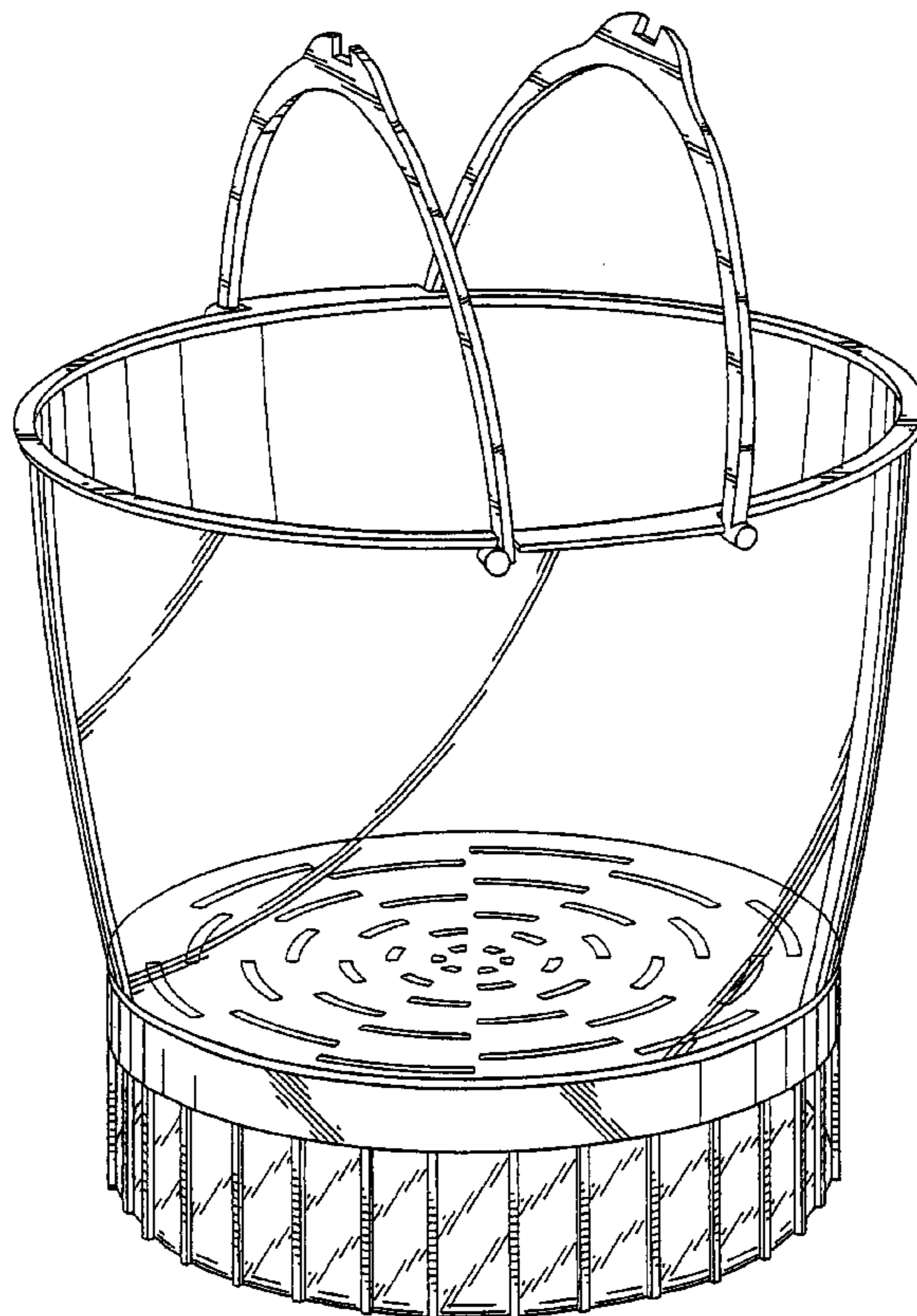
FIG. 1 is a top and side perspective view of a container for foodstuffs, showing my new design, with the handles raised; FIG. 2 is a side view thereof with the handles lowered; FIG. 3 is a top and side view thereof with the handles lowered; FIG. 4 is a another top and side thereof, with the handles lowered; FIG. 5 is a side and bottom view thereof, with the handles lowered; FIG. 6 is a top and side view thereof similar to FIG. 1, but rotated about a vertical axis, with the handles raised; and, FIG. 7 is a top view thereof, with the handles lowered.

(56) **References Cited**

**U.S. PATENT DOCUMENTS**

D195,740 S \* 7/1963 Kulow ..... D9/429  
D196,332 S \* 9/1963 Lynch ..... D9/429  
D197,094 S \* 12/1963 Eicholtz ..... D9/429

**1 Claim, 7 Drawing Sheets**



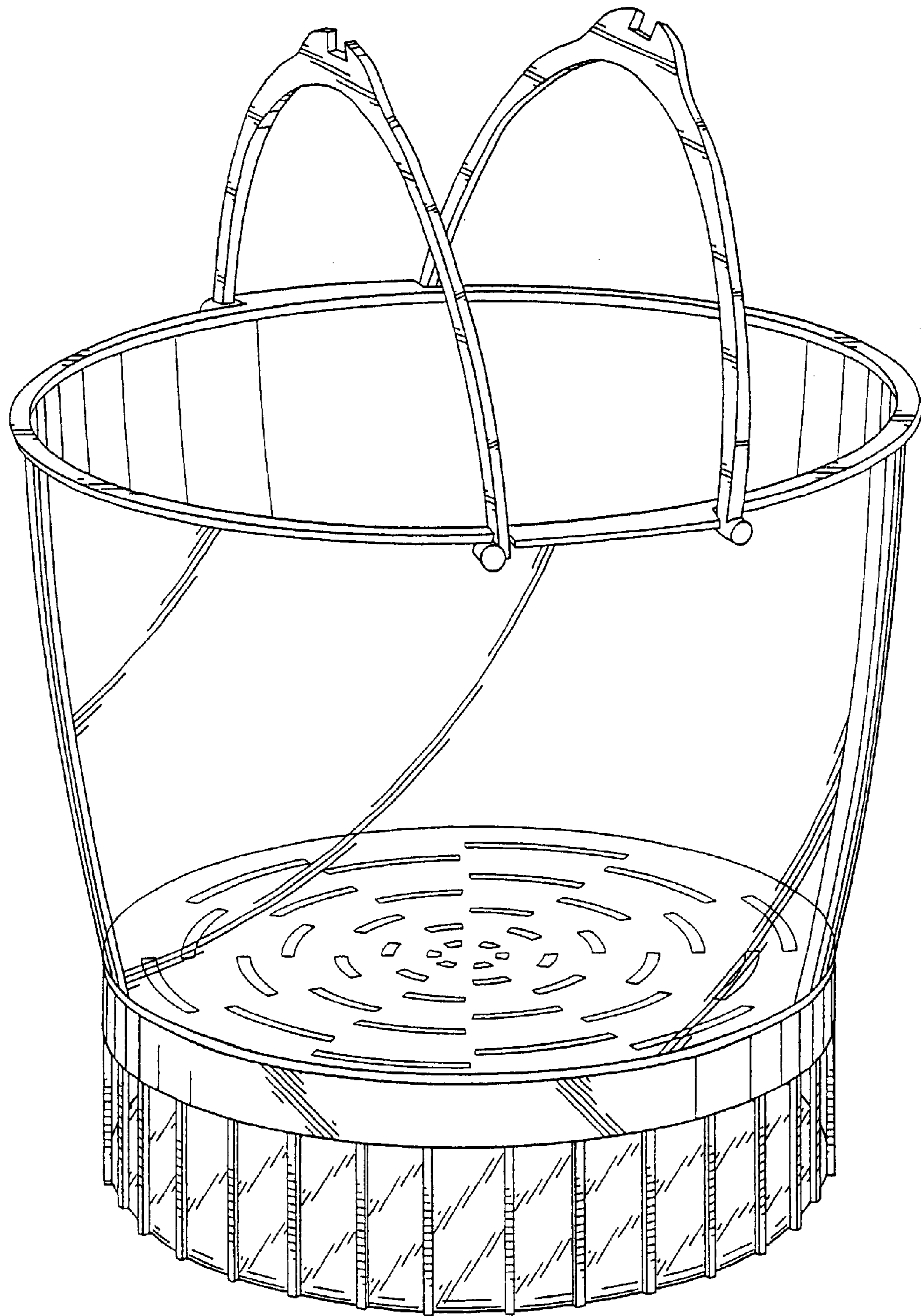


FIG. 1

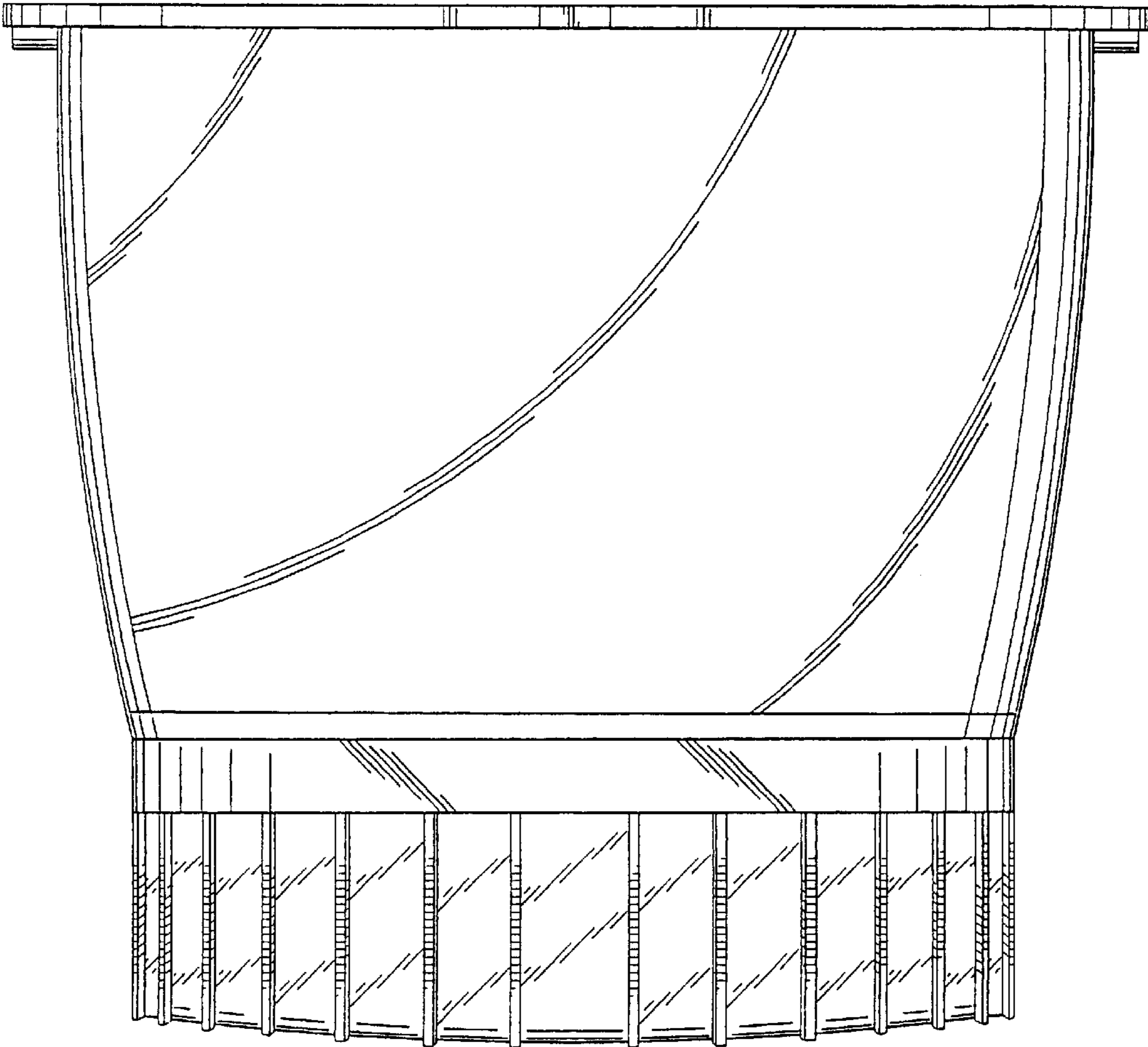


FIG. 2

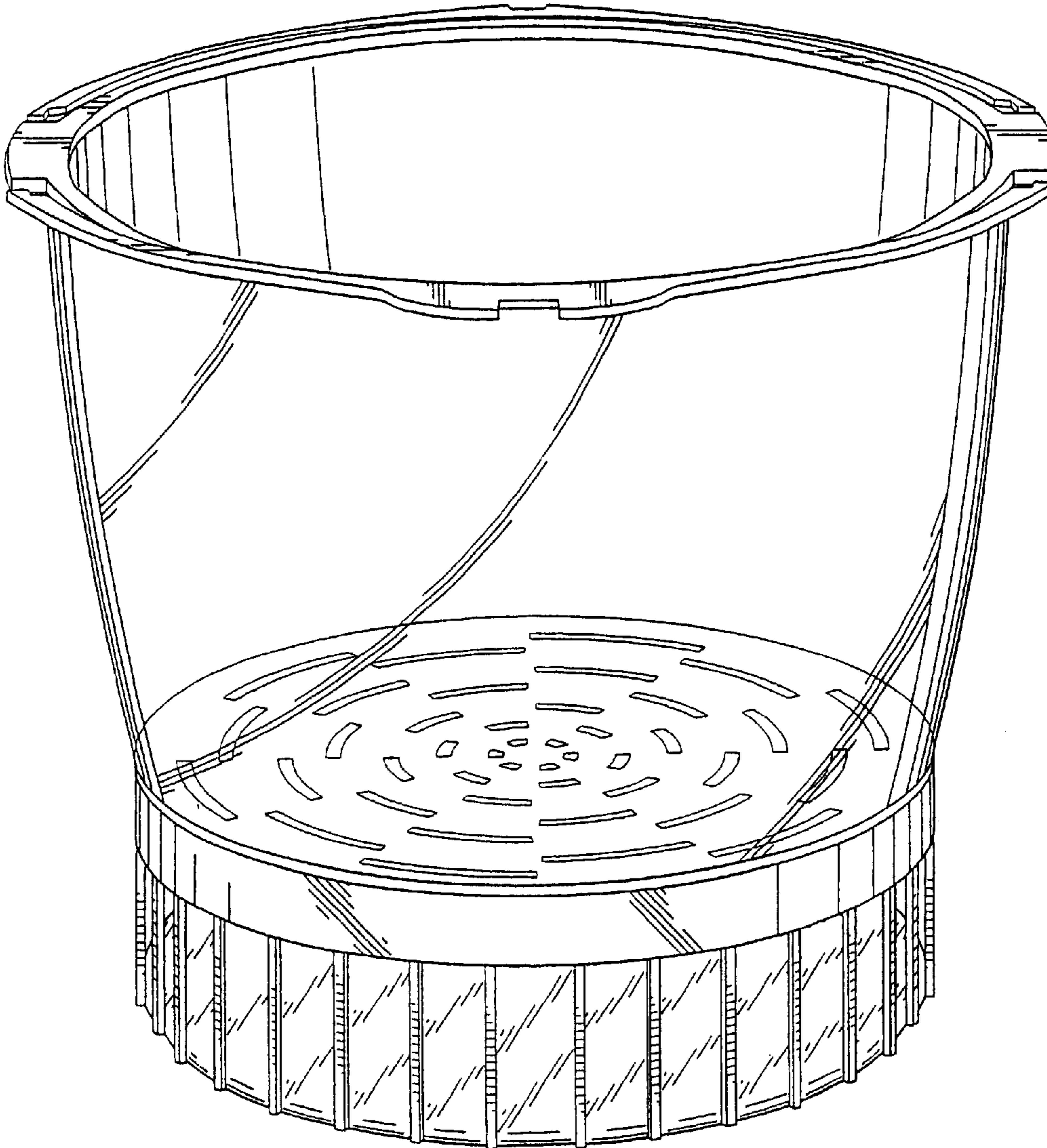


FIG. 3

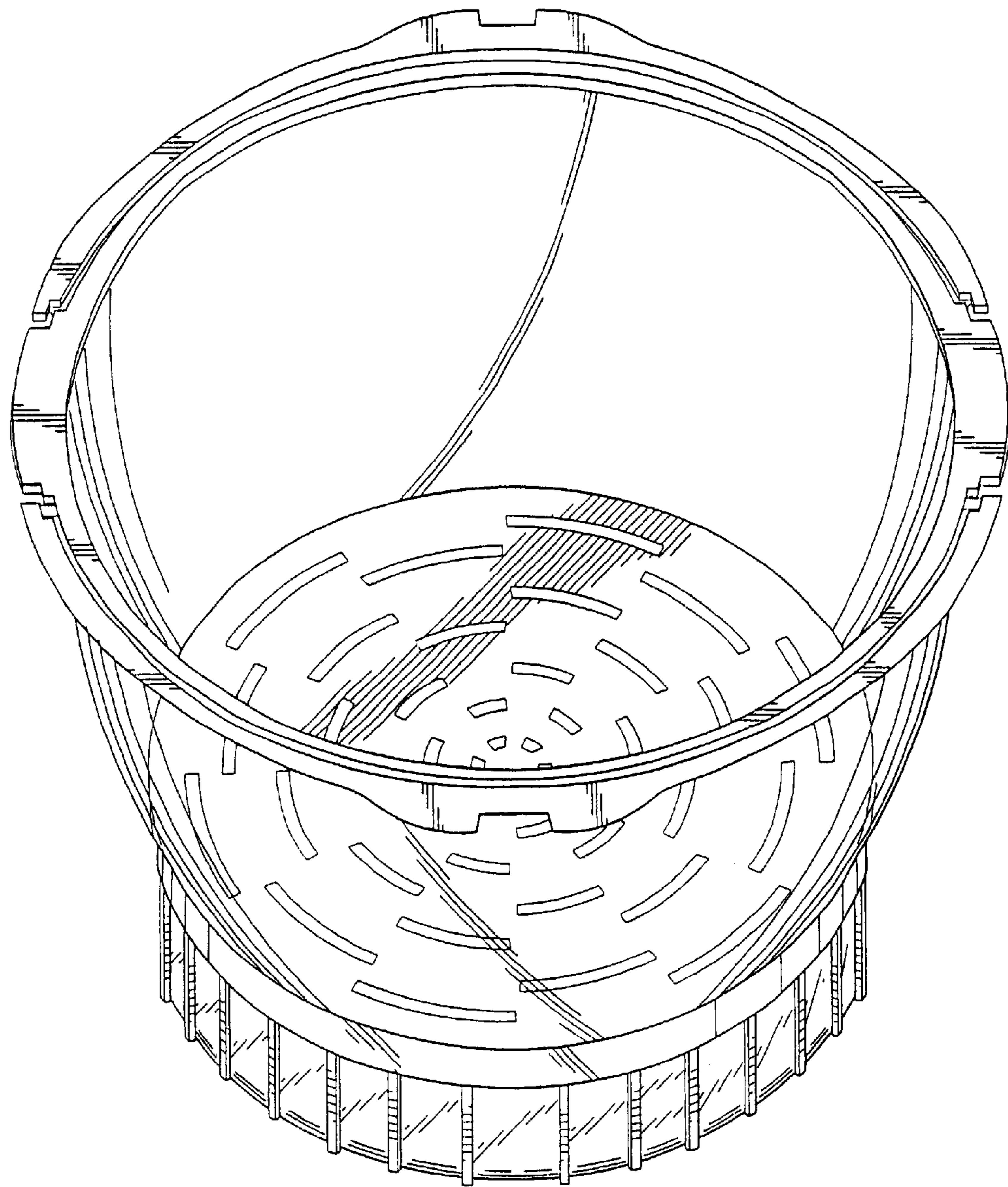


FIG.4

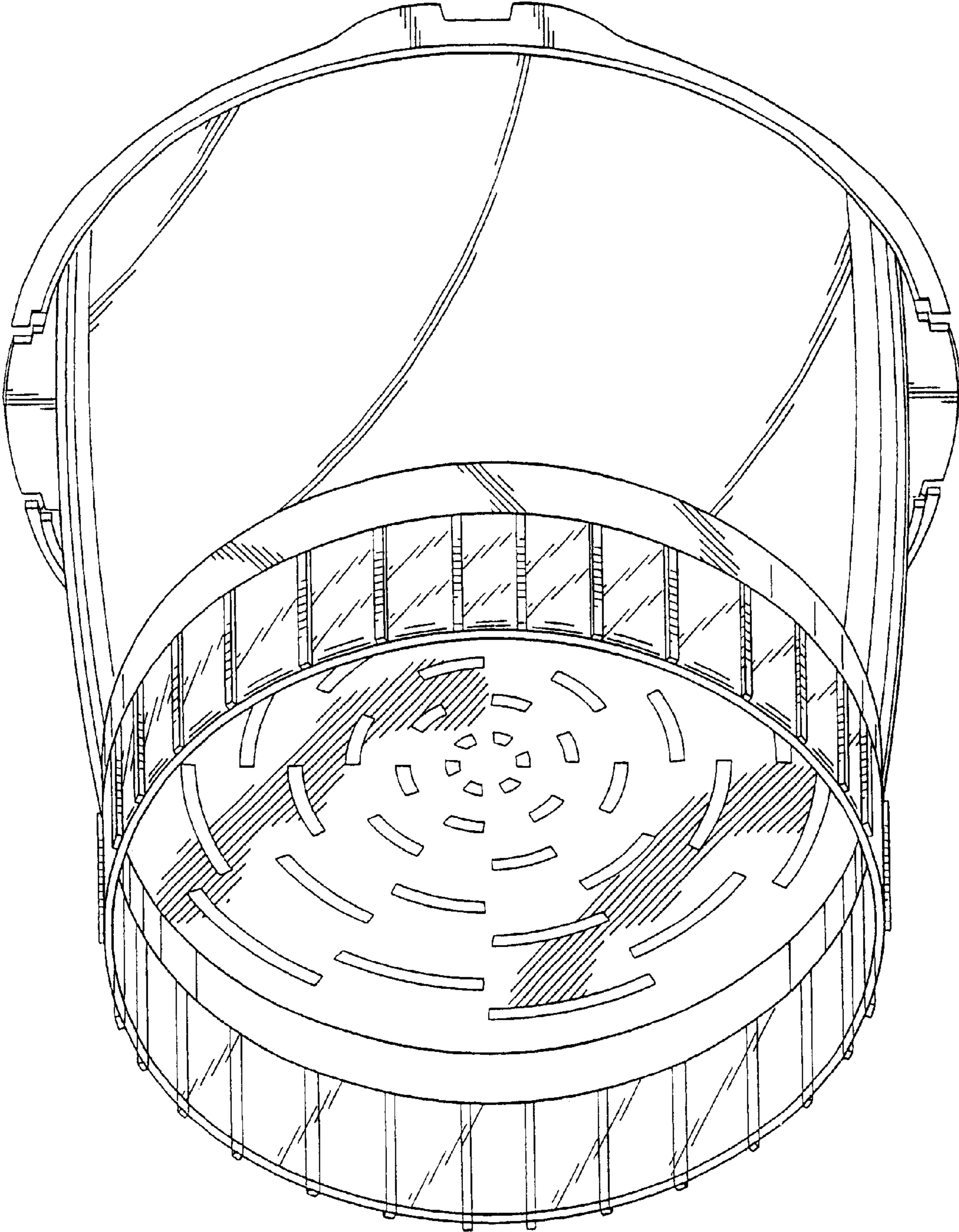


FIG. 5

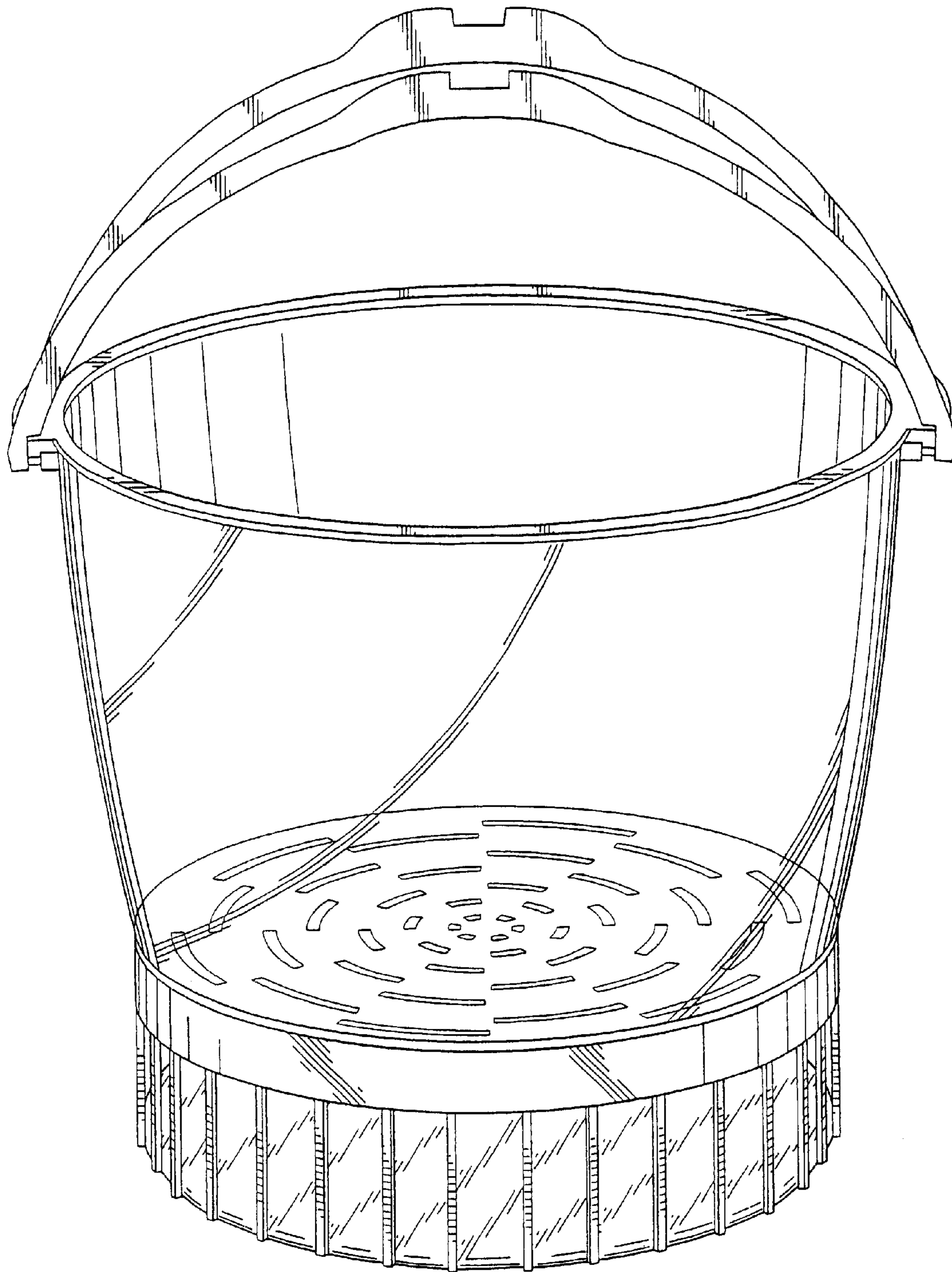


FIG. 6

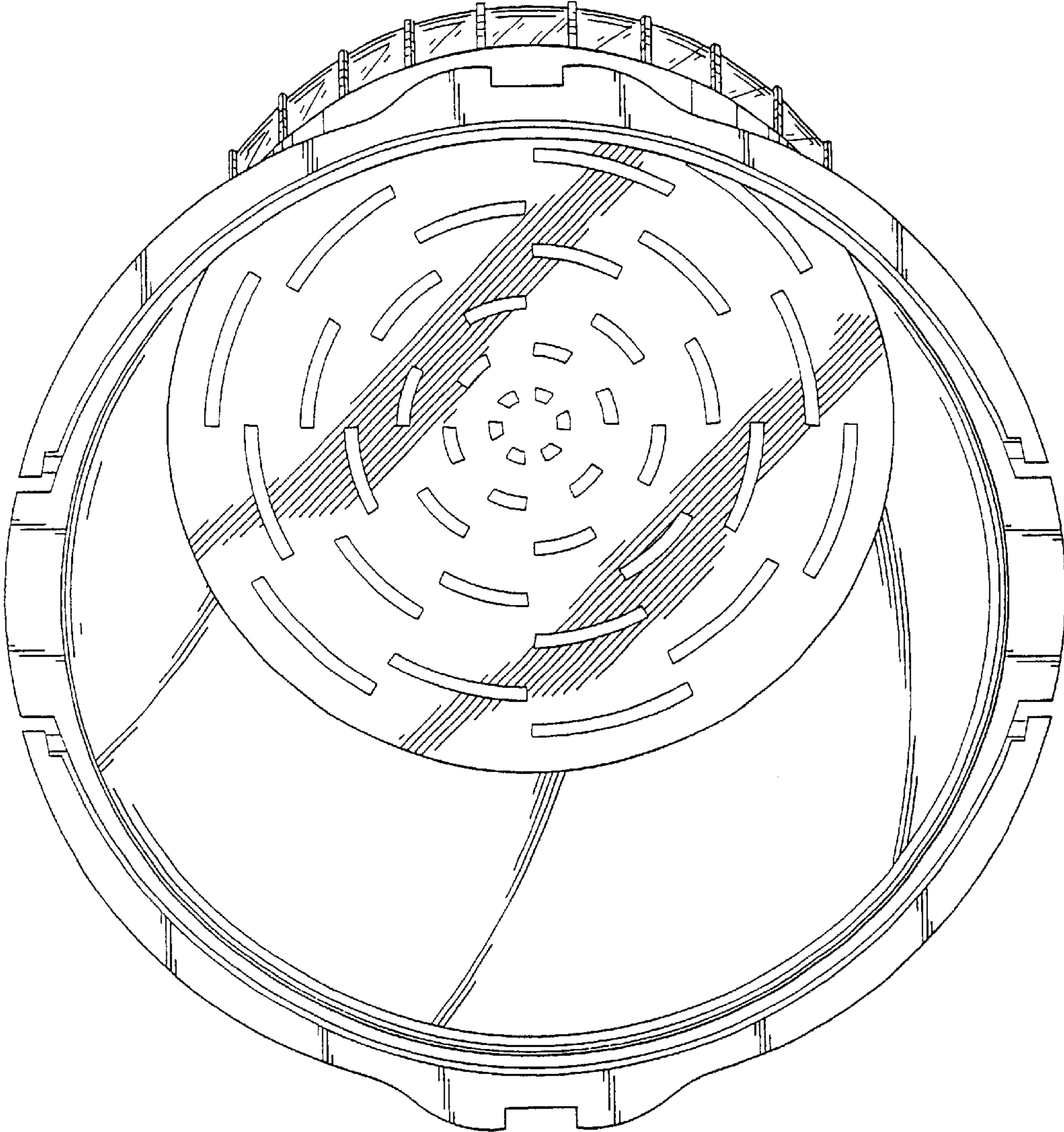


FIG.7