



US00D531894S

(12) **United States Design Patent**
Ramirez et al.

(10) **Patent No.: US D531,894 S**

(45) **Date of Patent: ** Nov. 14, 2006**

(54) **ONE-COMPARTMENT CONTAINER**

D282,245 S * 1/1986 Yeung D9/425
D344,022 S * 2/1994 Lesquir D9/423
D408,734 S * 4/1999 McCann D9/423

(75) Inventors: **Richard L. Ramirez**, Lawrenceville,
GA (US); **Mark A. Bergeron**, Lithonia,
GA (US)

* cited by examiner

(73) Assignee: **Tekni-Plex, Inc.**, Somerville, NJ (US)

Primary Examiner—Stella Reid

Assistant Examiner—Derrick Holland

(**) Term: **14 Years**

(74) *Attorney, Agent, or Firm*—Pitney Hardin LLP

(21) Appl. No.: **29/201,418**

(57) **CLAIM**

(22) Filed: **Mar. 15, 2004**

The ornamental design for a one-compartment container, as shown and described.

(51) **LOC (8) Cl.** **09-03**

DESCRIPTION

(52) **U.S. Cl.** **D9/423**

(58) **Field of Classification Search** D9/423,
D9/414, 416, 419, 420, 424, 425, 426, 429,
D9/432; D7/602, 629; 206/541; 229/902,
229/406, 407

FIG. 1 is a top plan view of a one-compartment container, showing our new design;

FIG. 2 is a front elevational view thereof;

FIG. 3 is a left-side elevational view thereof, the right-side view being a mirror image of FIG. 3;

FIG. 4 is a rear elevational view thereof;

FIG. 5 is a bottom plan view thereof;

FIG. 6 is a perspective view thereof;

FIG. 7 is a perspective view thereof, in a partially opened condition; and,

FIG. 8 is a plan view of the interior thereof, in a fully opened condition.

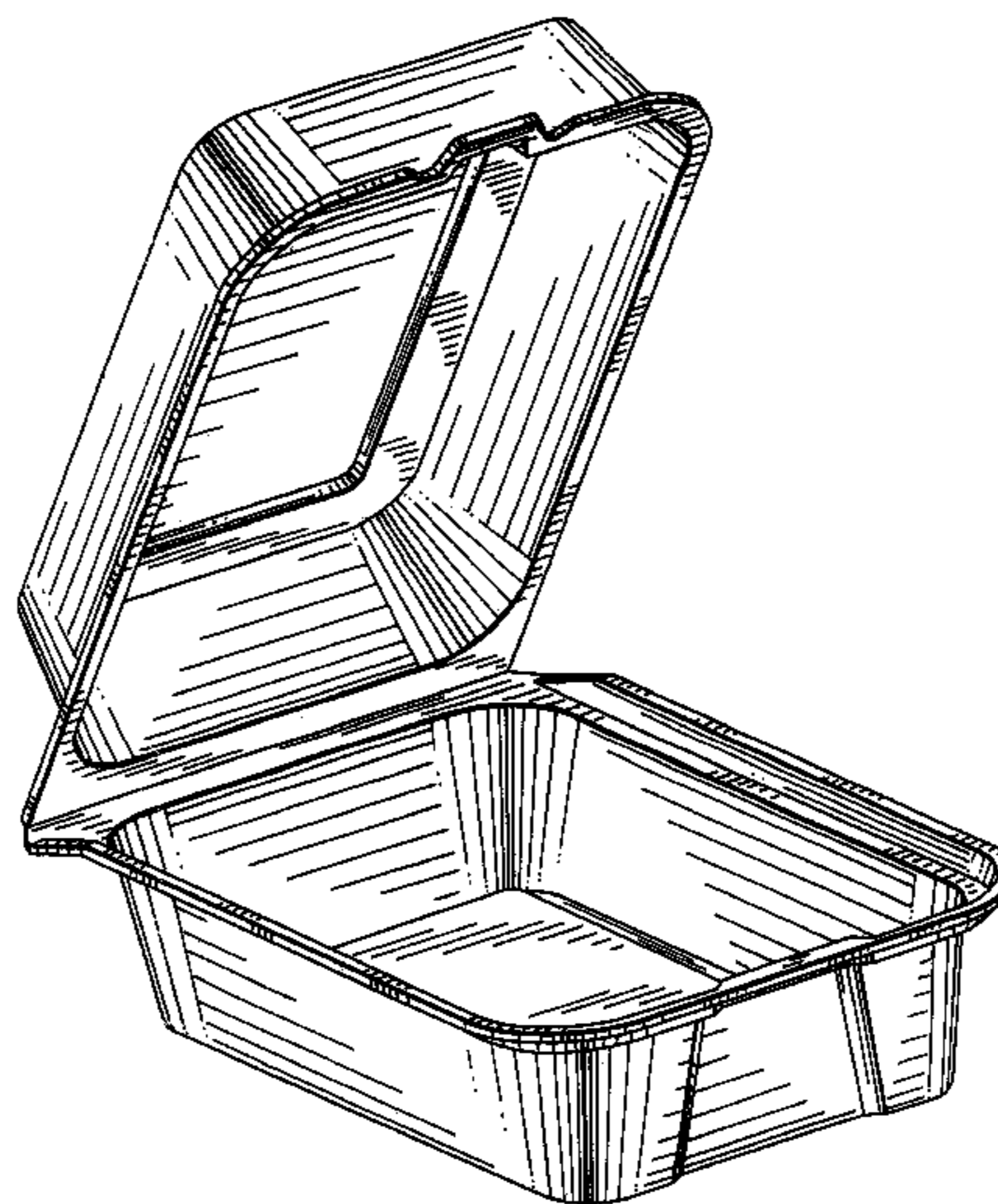
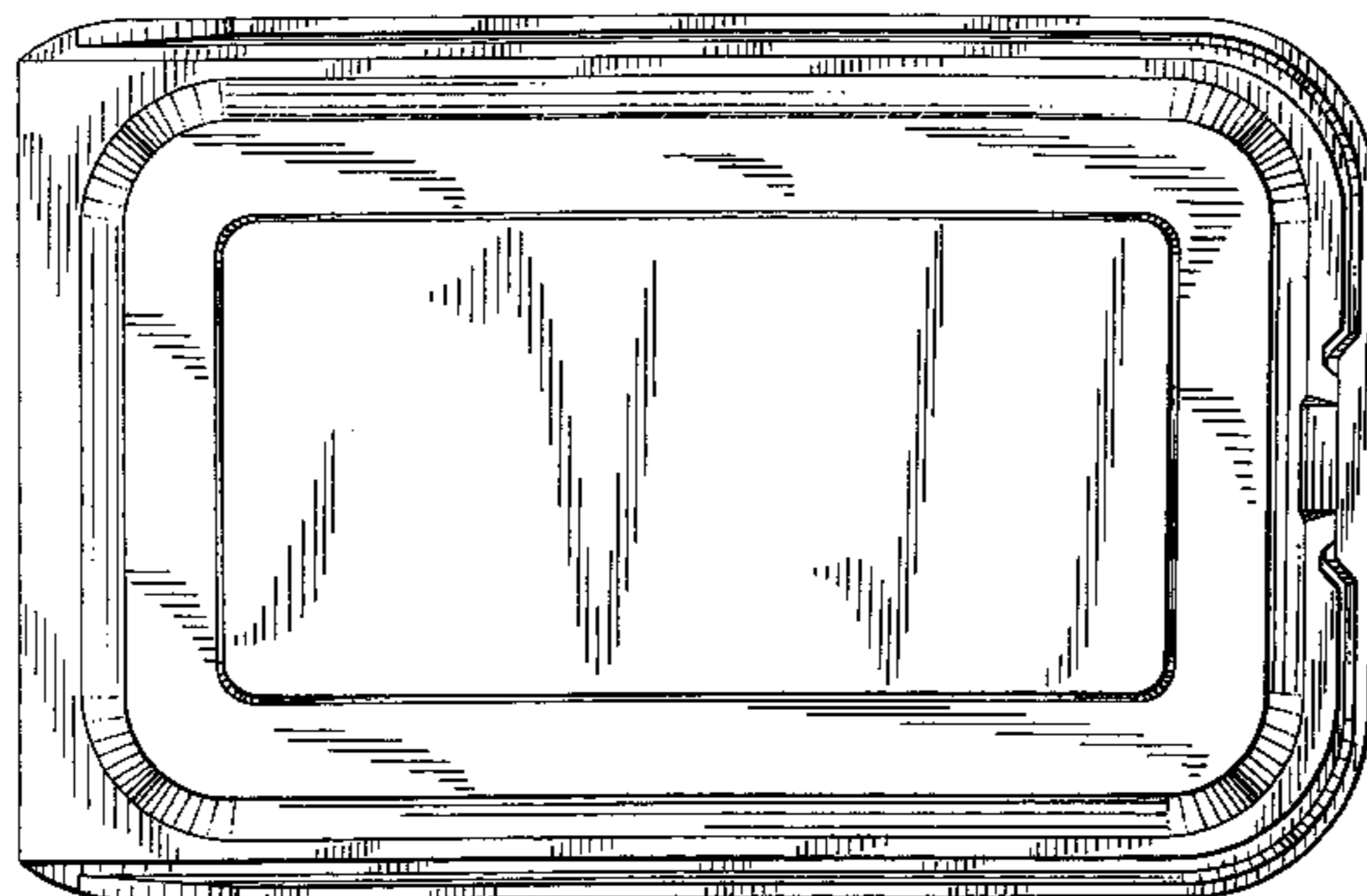
See application file for complete search history.

(56) **References Cited**

U.S. PATENT DOCUMENTS

D230,569 S * 3/1974 Fallowfield D9/423
3,968,921 A * 7/1976 Jewell 229/406
4,079,880 A * 3/1978 Edwards 220/4.21
D251,657 S * 4/1979 Jewell D9/426
D263,798 S * 4/1982 Edwards D9/426

1 Claim, 8 Drawing Sheets



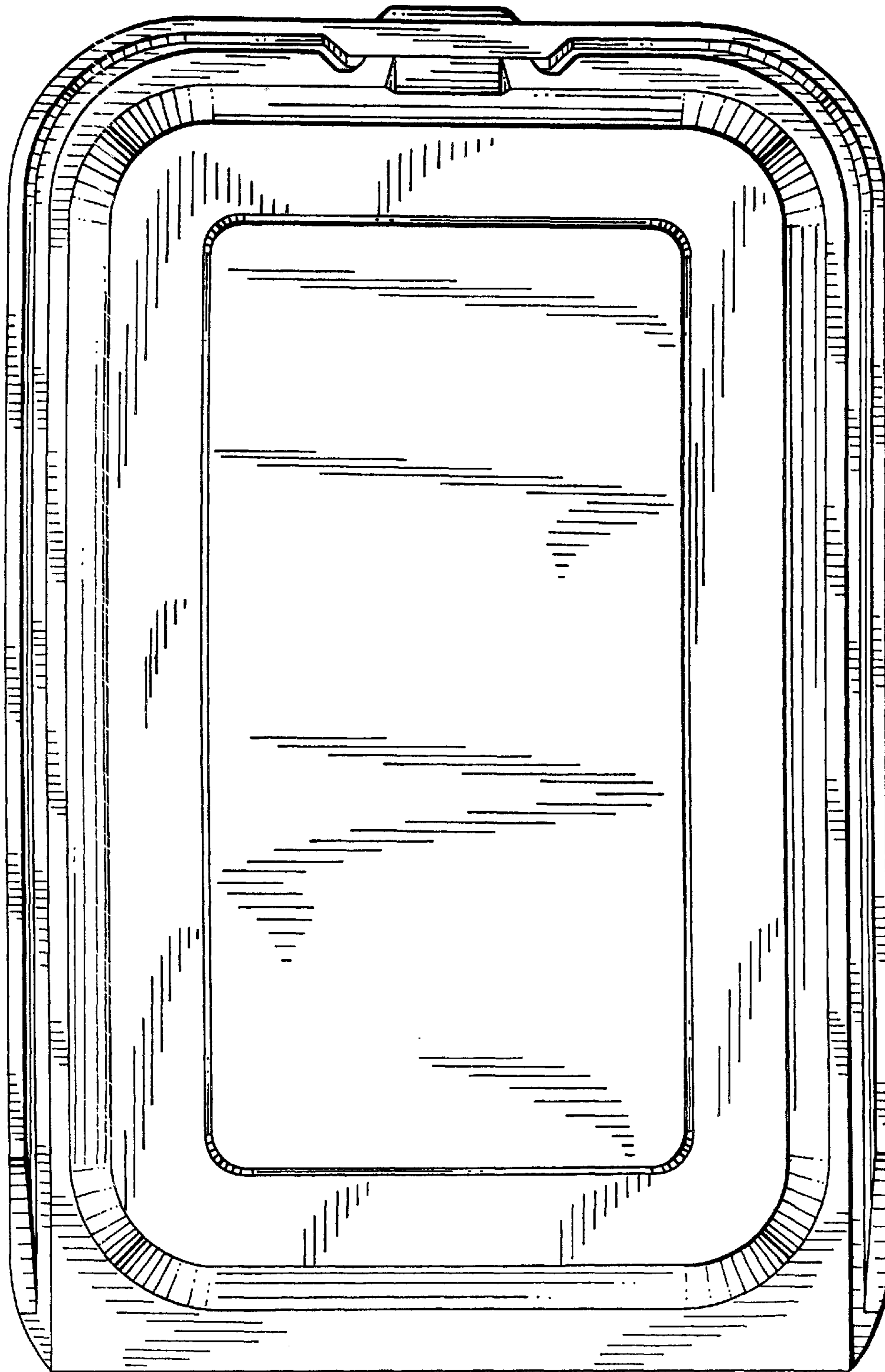


FIG. 1

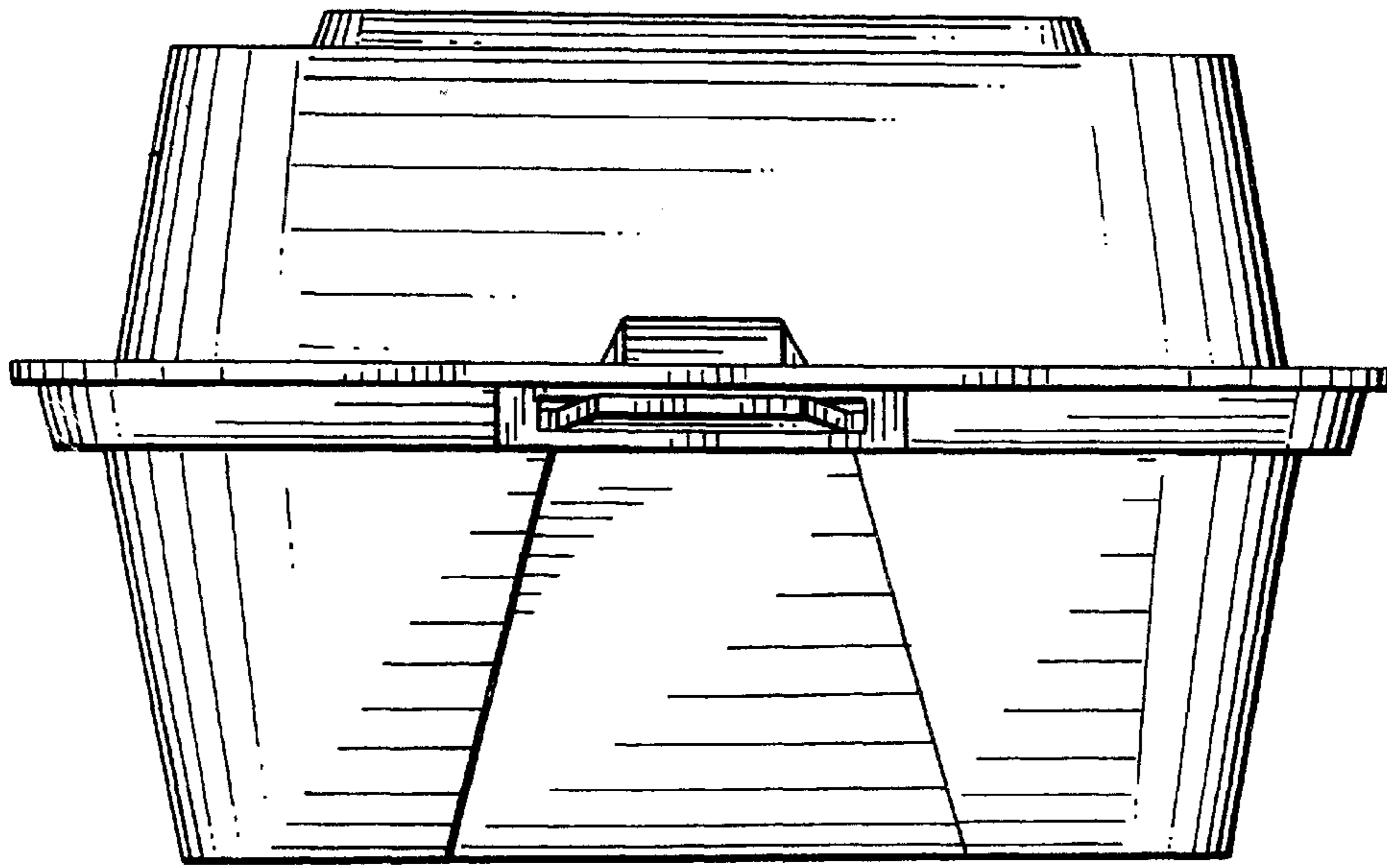


FIG. 2

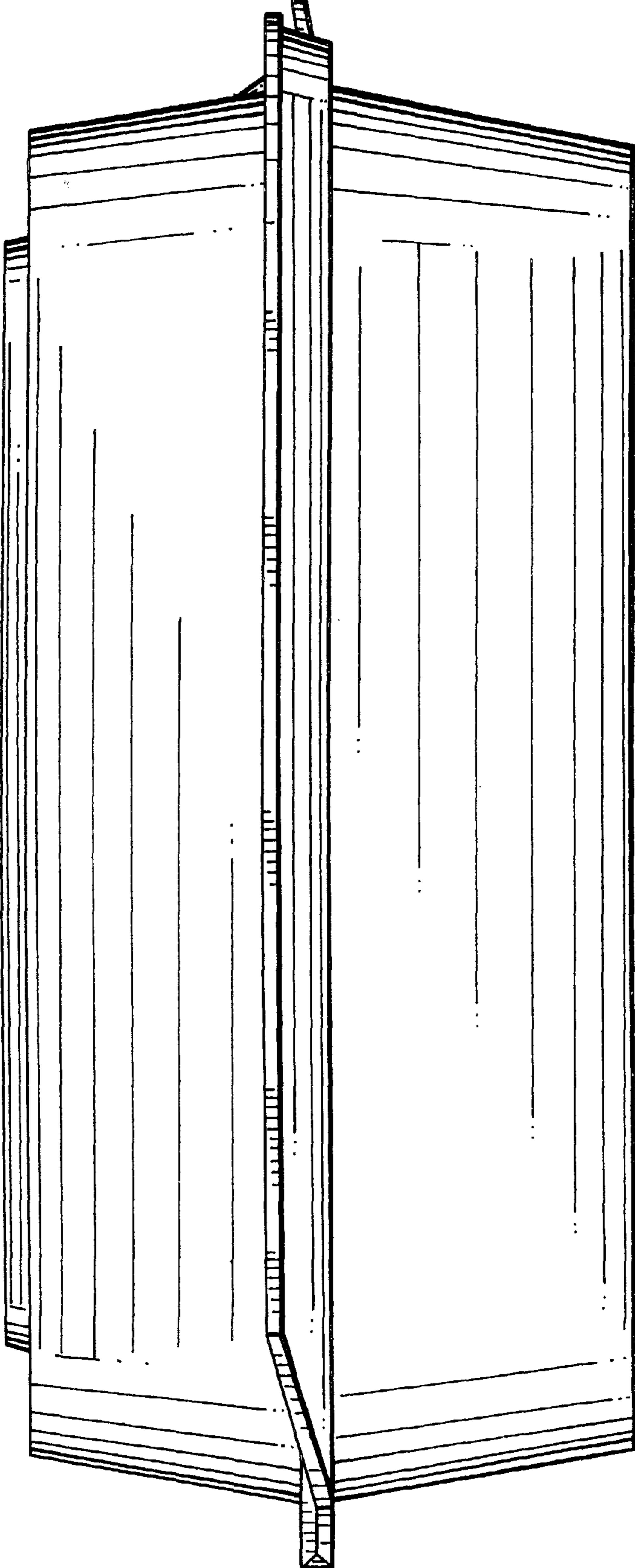


FIG. 3

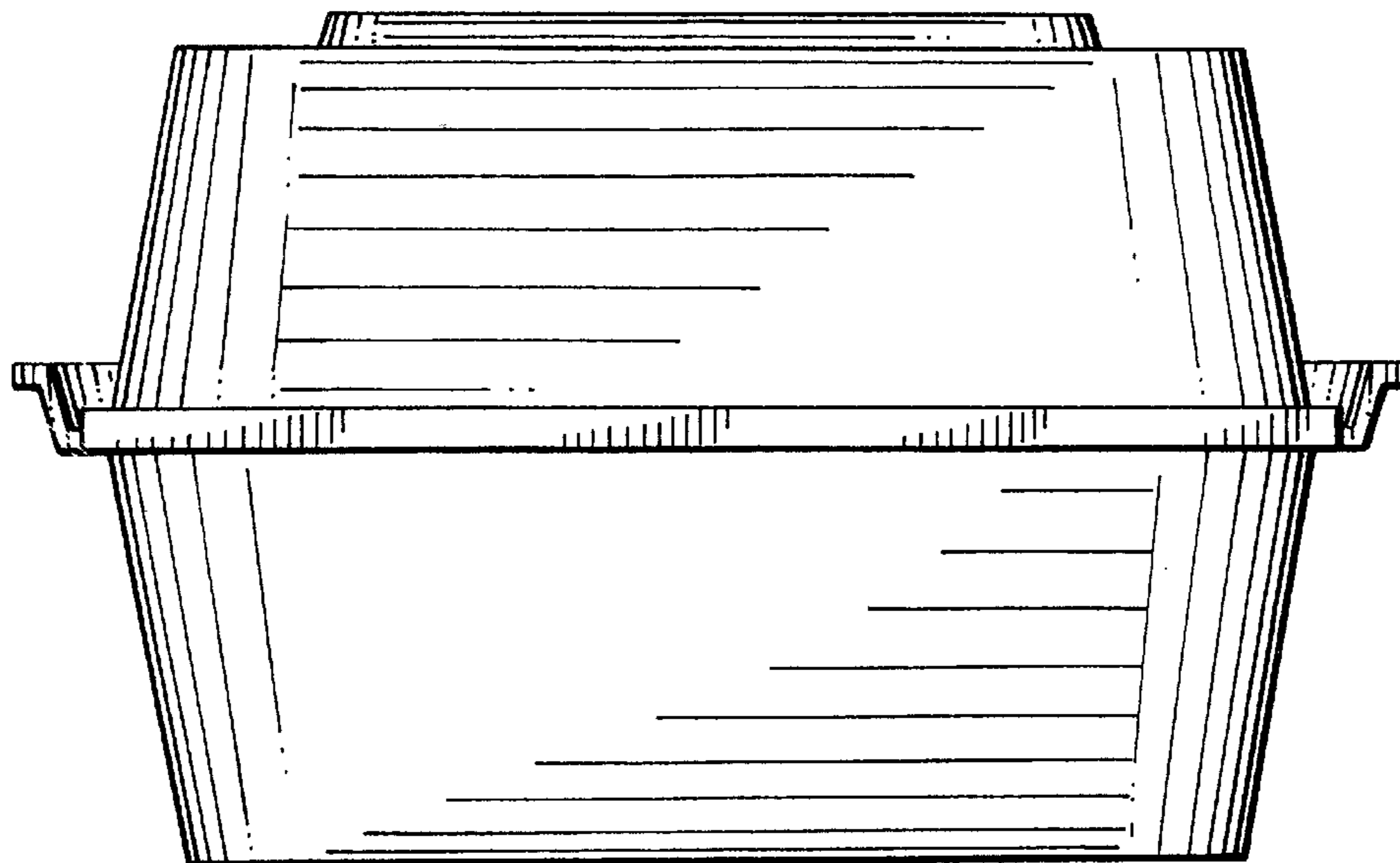


FIG. 4

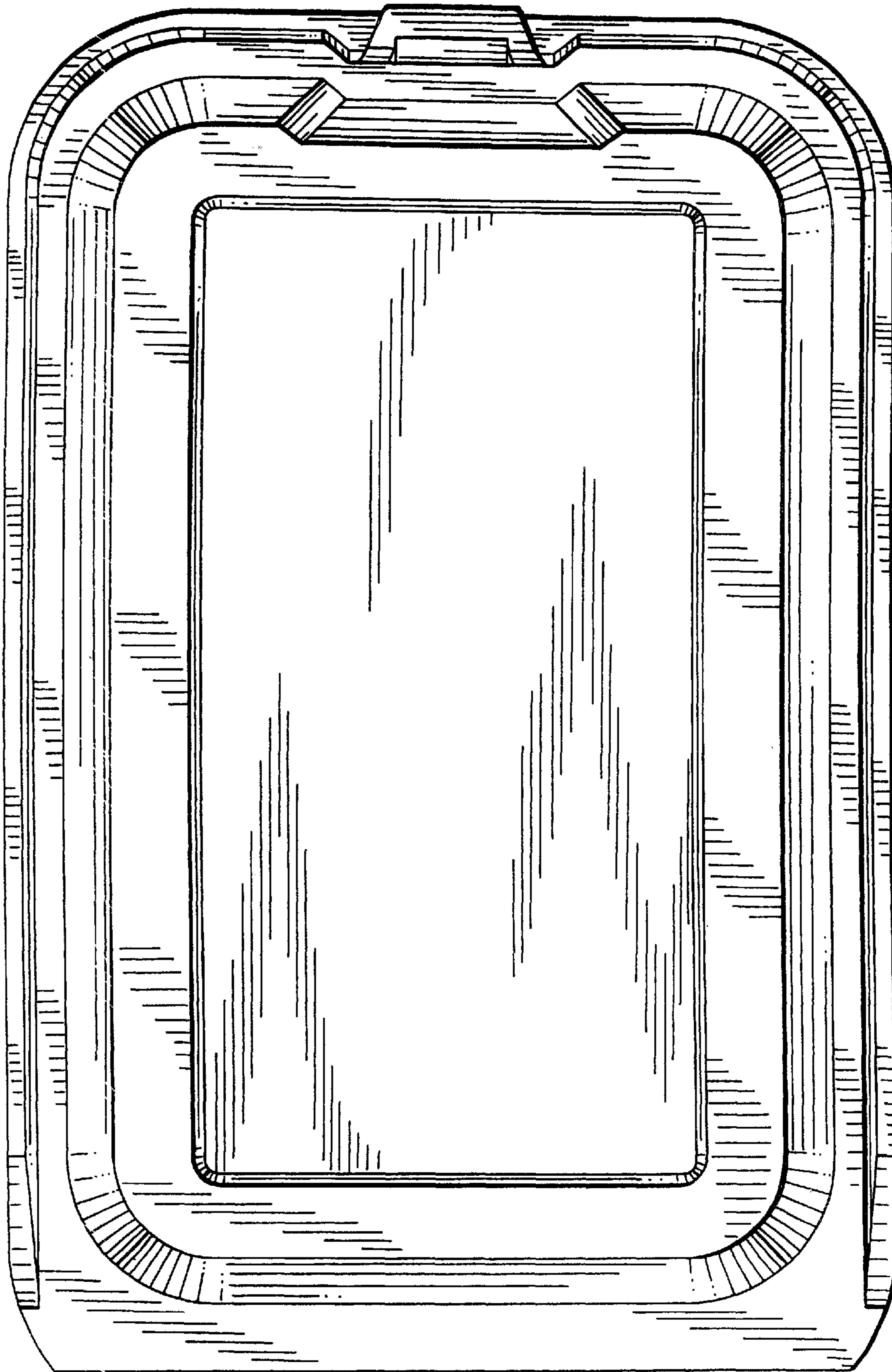


FIG. 5

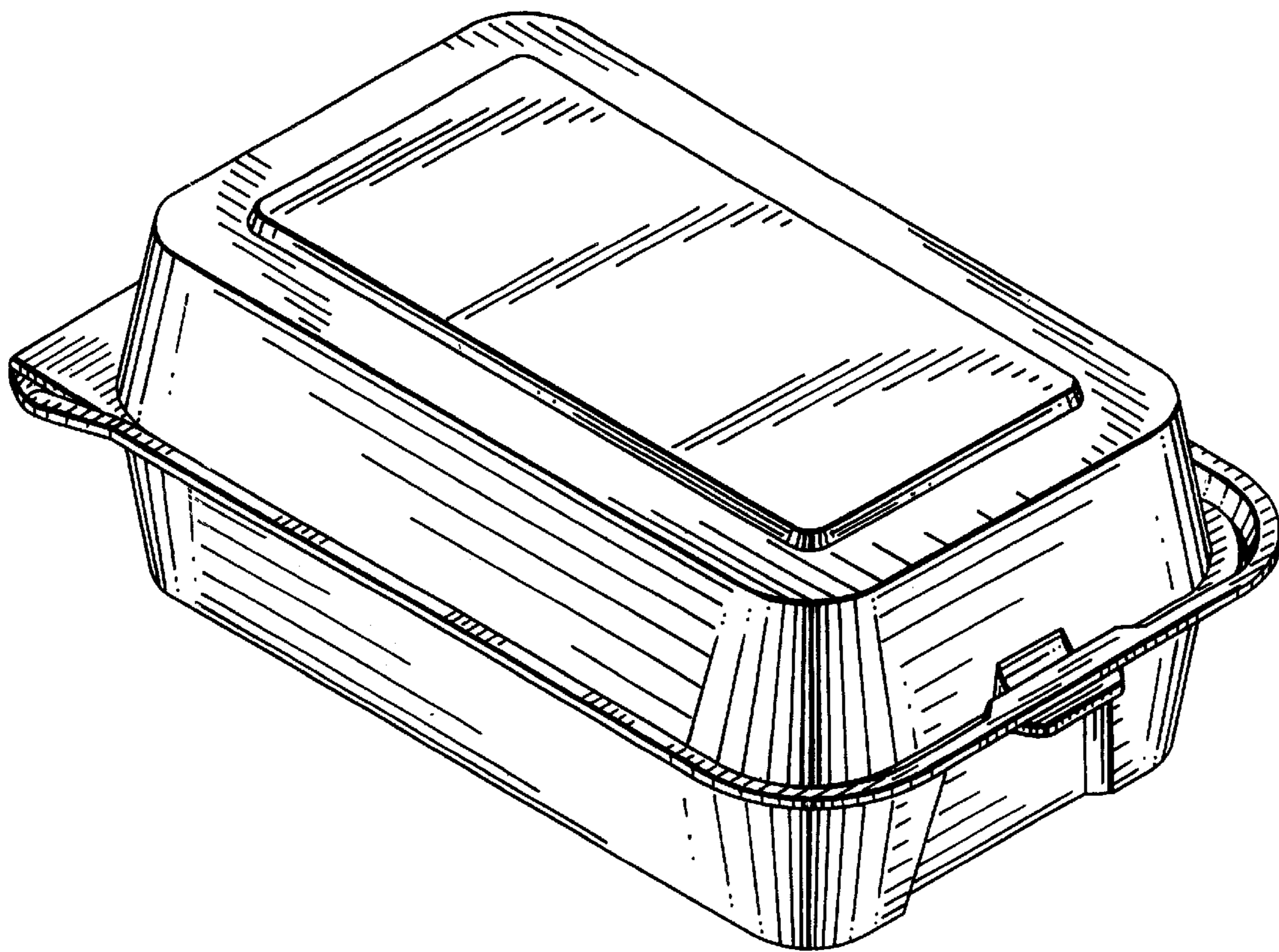


FIG. 6

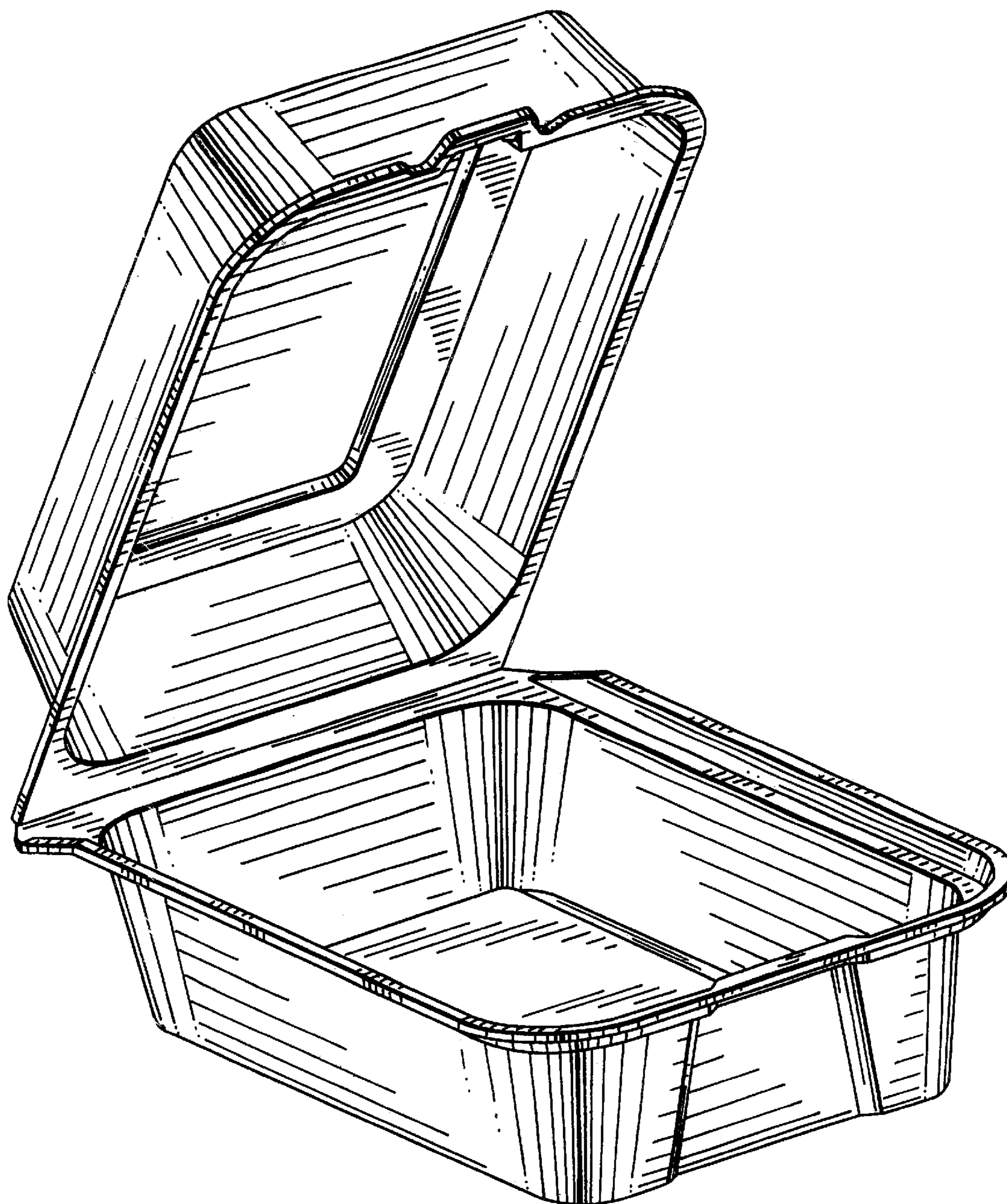


FIG. 7

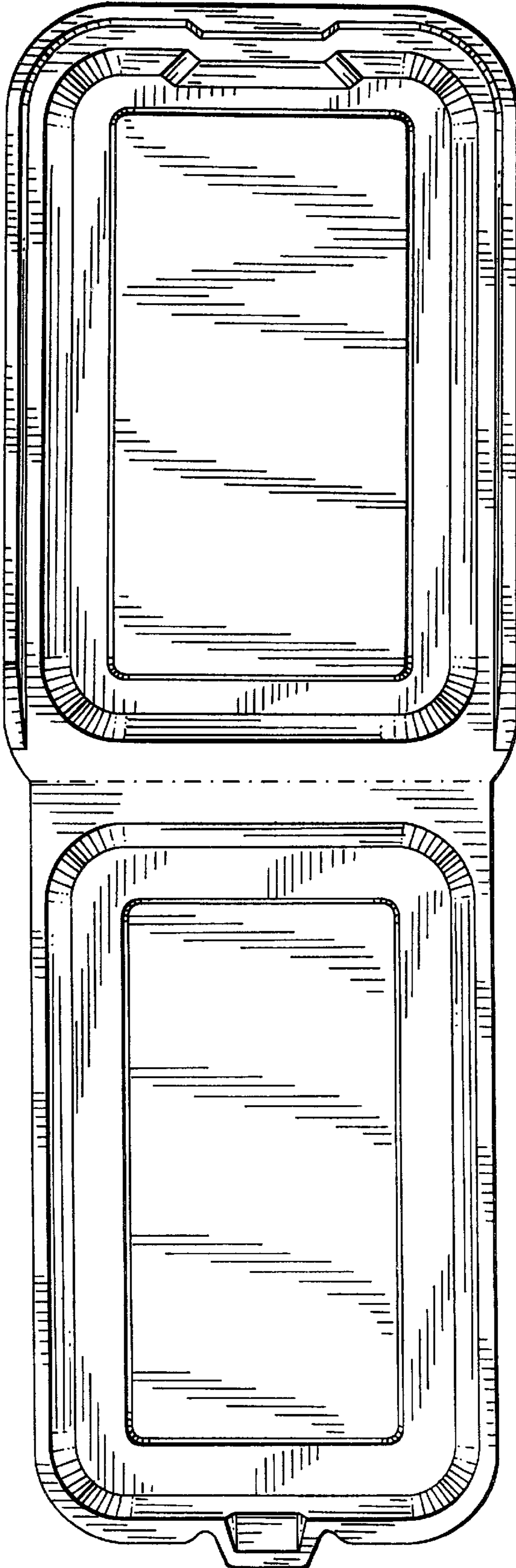


FIG. 8