



US00D531893S

(12) **United States Design Patent** (10) **Patent No.:** **US D531,893 S**
Fahey (45) **Date of Patent:** **** Nov. 14, 2006**

(54) **PACKAGE FOR T-SHIRTS**

(75) Inventor: **Kevin Fahey**, Wheaton, IL (US)

(73) Assignee: **Town Tees**

(**) Term: **14 Years**

(21) Appl. No.: **29/237,712**

(22) Filed: **Sep. 6, 2005**

(51) **LOC (8) Cl.** **09-03**

(52) **U.S. Cl.** **D9/415**

(58) **Field of Classification Search** D9/415,
D9/414, 416, 418, 423, 432; 206/278, 279,
206/280, 294; 229/103.2, 103.3, 117.28,
229/210, 221, 247, 162.1, 174, 939
See application file for complete search history.

(56) **References Cited**

U.S. PATENT DOCUMENTS

2,046,751	A	*	7/1936	Ferdinand	206/745
3,507,442	A	*	4/1970	Vandam et al.	229/240
4,224,358	A		9/1980	Hare		
4,284,456	A		8/1981	Hare		
D262,191	S	*	12/1981	Quillen	D9/416
4,685,984	A		8/1987	Powers et al.		
D346,960	S	*	5/1994	Bennett	D9/418
5,316,139	A	*	5/1994	Judd et al.	206/278
D377,144	S	*	1/1997	Sawa	D9/432

5,718,331	A	*	2/1998	Smith	206/292
D434,256	S	*	11/2000	Shimbo et al.	D6/515
6,232,041	B1		5/2001	Roberts et al.		
D462,264	S	*	9/2002	Barr et al.	D9/416

* cited by examiner

Primary Examiner—Stella Reid
Assistant Examiner—Derrick Holland

(74) *Attorney, Agent, or Firm*—Michael P. Mazza

(57) **CLAIM**

The ornamental design for a package for t-shirts, as shown and described.

DESCRIPTION

FIG. 1 is a top and side perspective view of a package for T-shirts, showing my new design;
FIG. 2 is a rear view thereof;
FIG. 3 is a front view thereof;
FIG. 4 is a top view thereof;
FIG. 5 is a side view thereof;
FIG. 6 is a rear view thereof;
FIG. 7 is a side view thereof;
FIG. 8 is a top view thereof; and,
FIG. 9 is a top view thereof, in a fully opened condition.
The broken lines showing is for illustrative purposes only and forms no part of the claimed design.

1 Claim, 4 Drawing Sheets

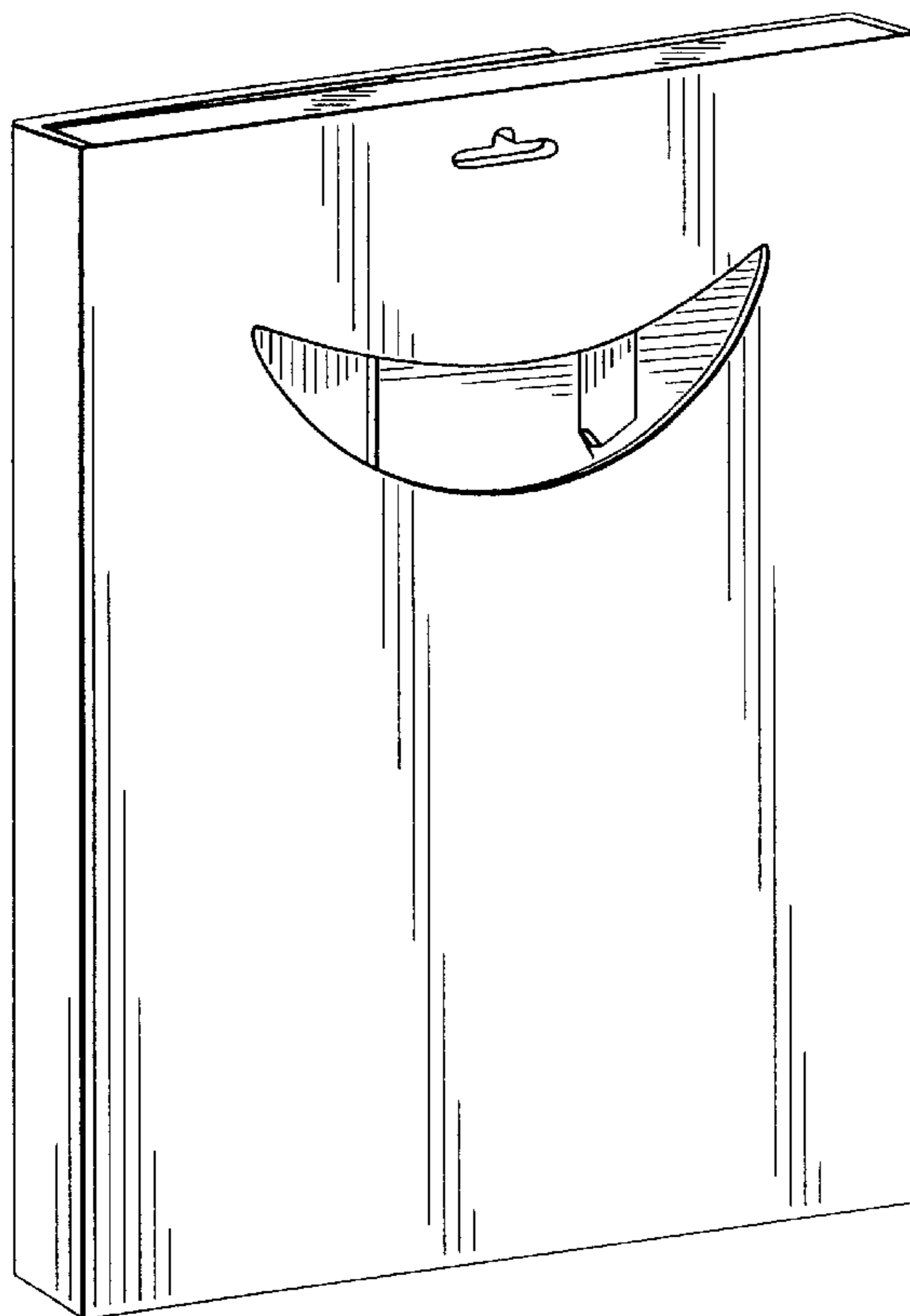


Fig. 1

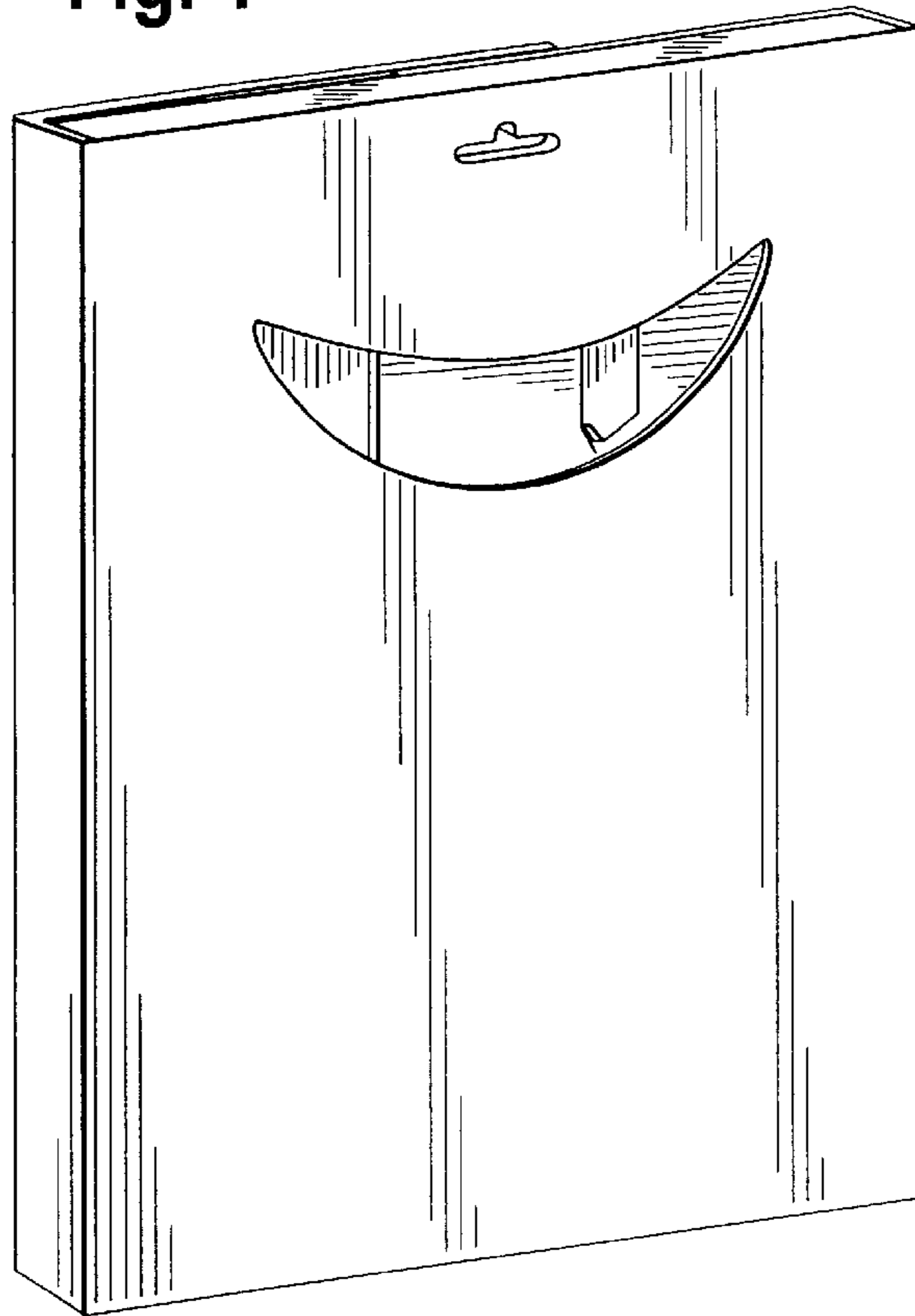


Fig. 2

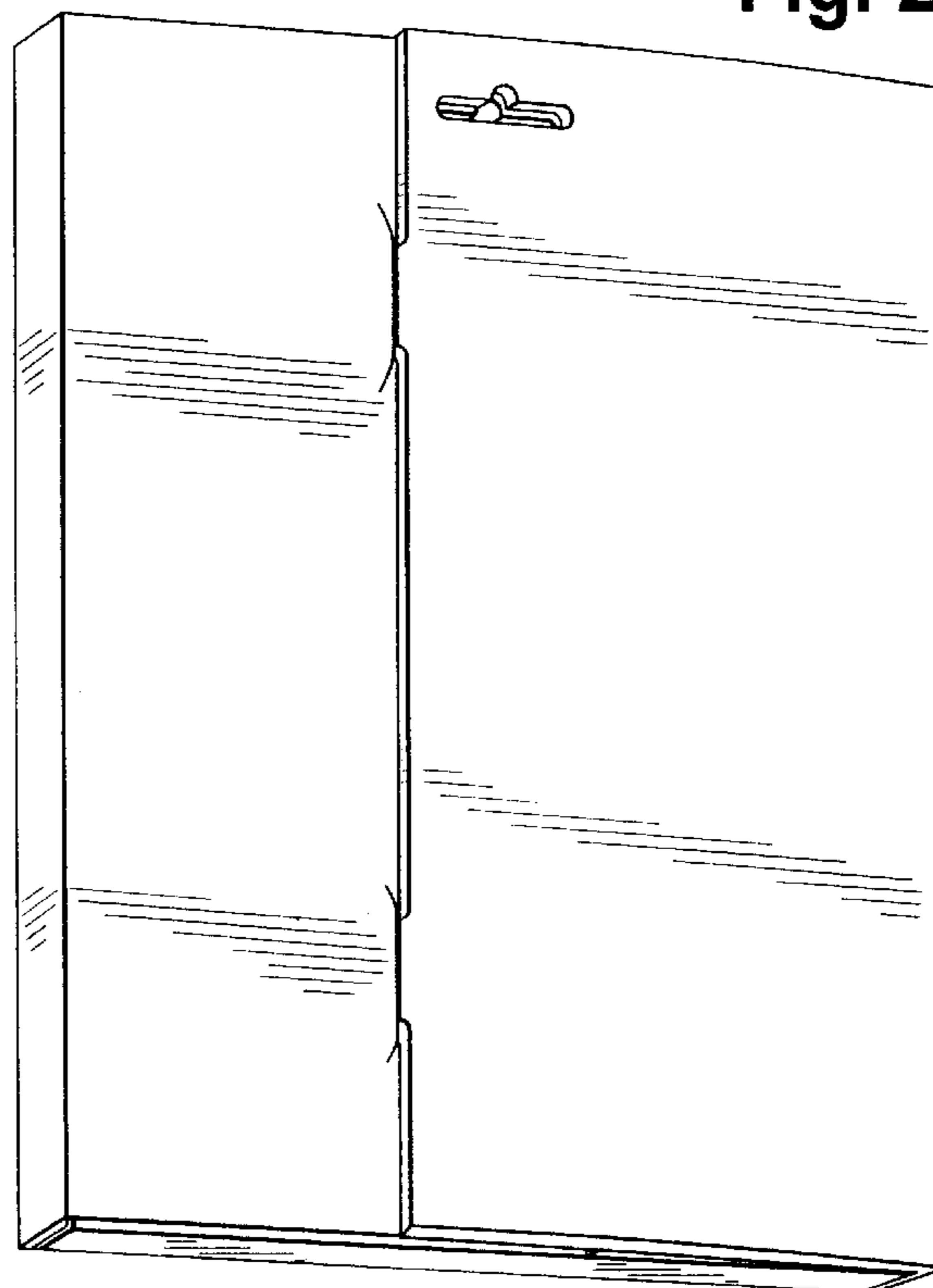


Fig. 4

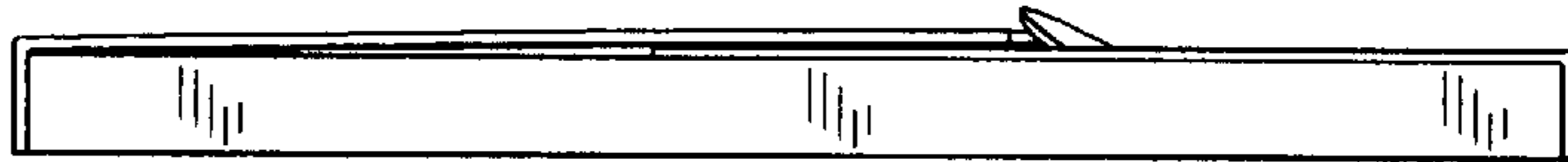


Fig. 5



Fig. 3

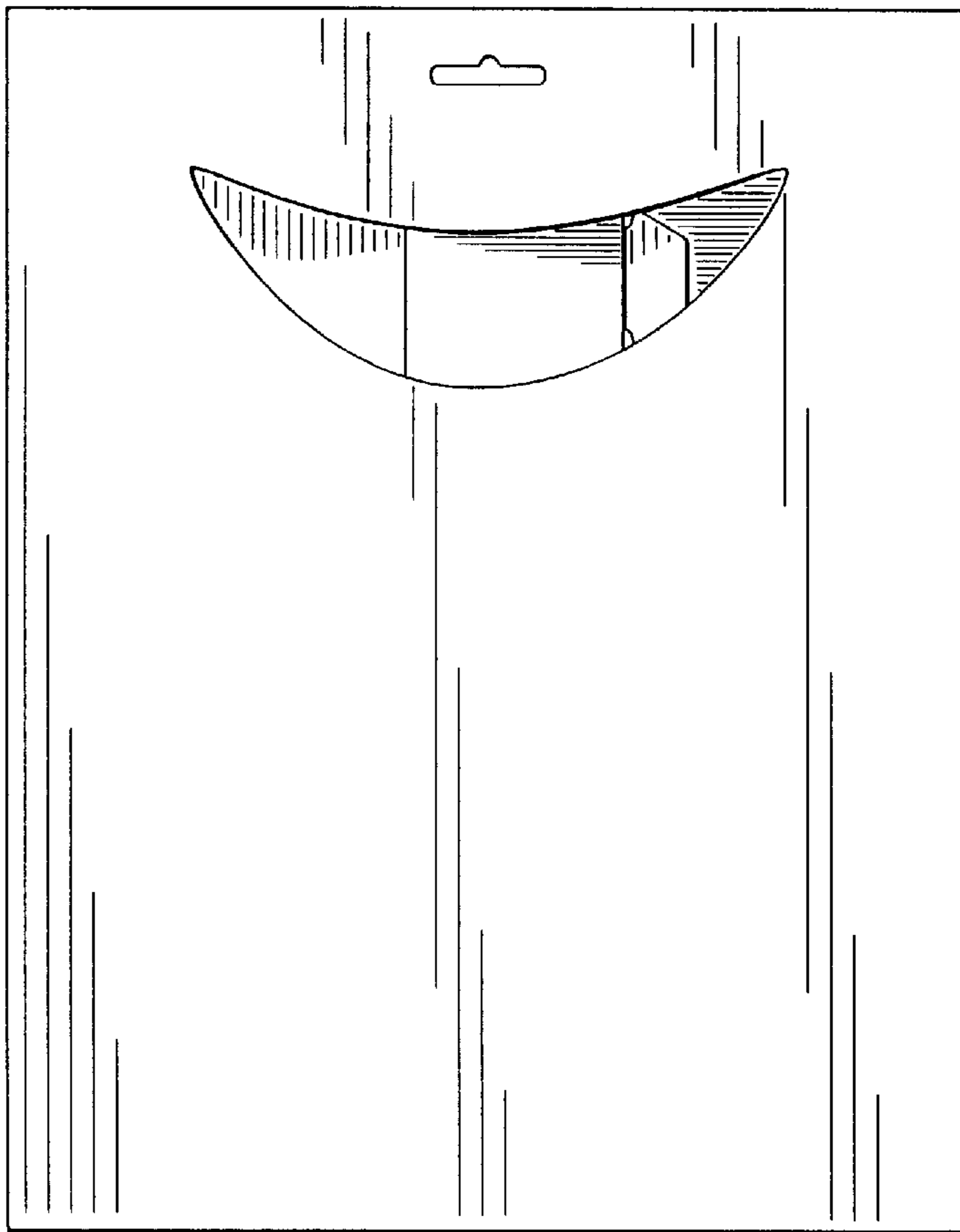


Fig. 6

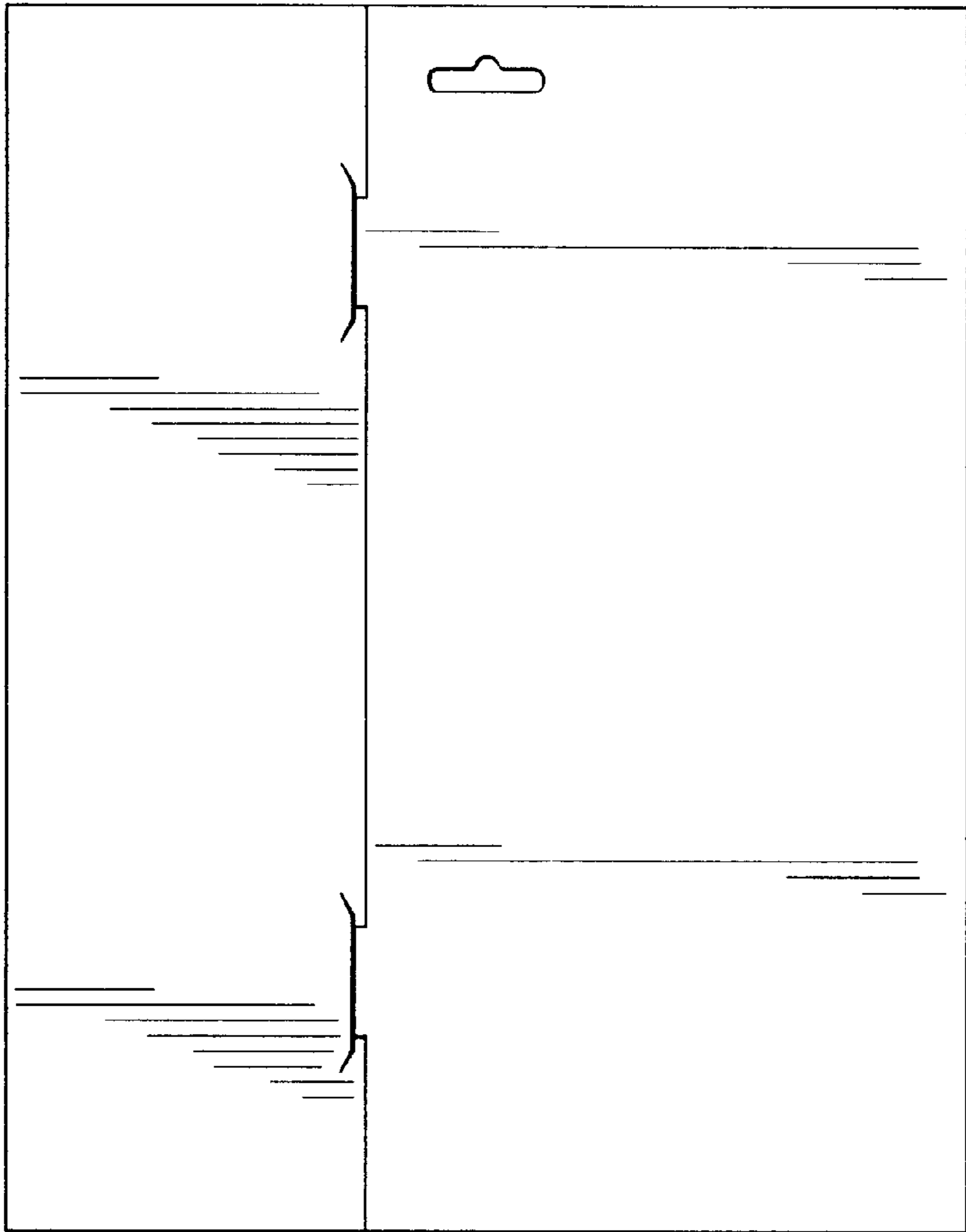


Fig. 7

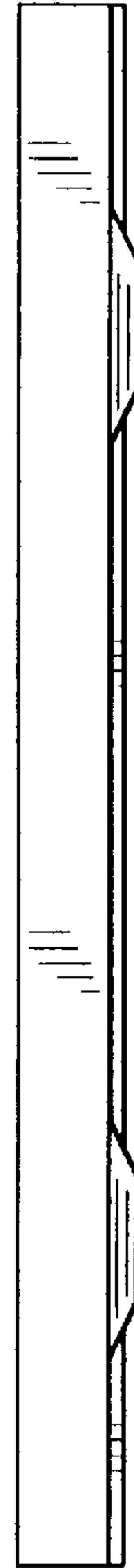
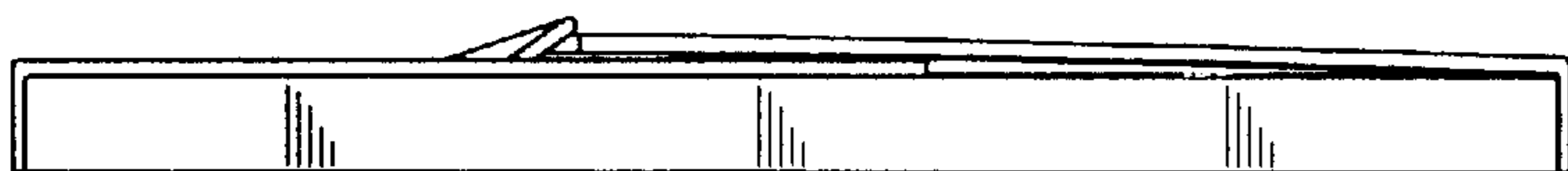


Fig. 8



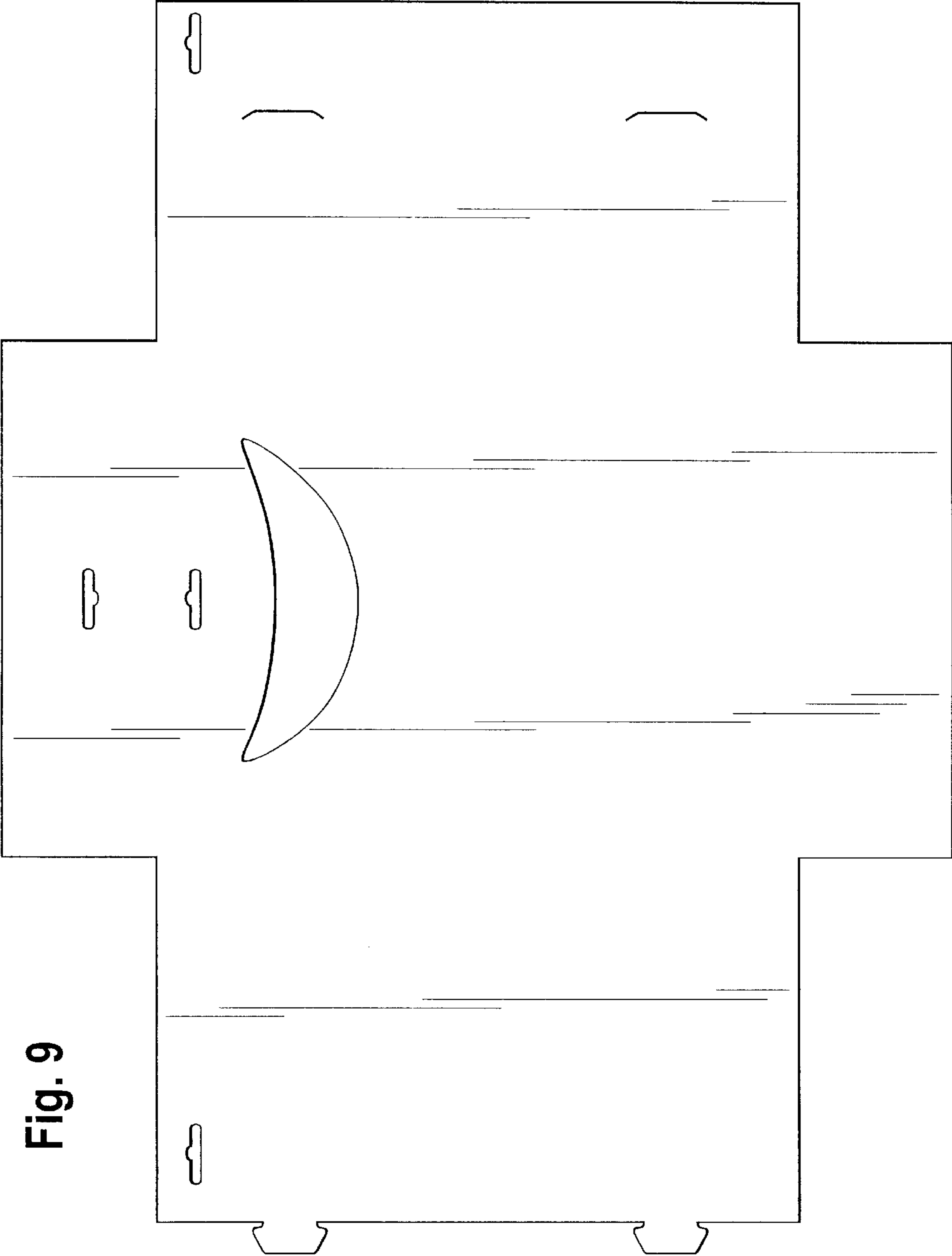


Fig. 9

UNITED STATES PATENT AND TRADEMARK OFFICE
CERTIFICATE OF CORRECTION

PATENT NO. : Des. 531,893 S
APPLICATION NO. : 29/237712
DATED : November 14, 2006
INVENTOR(S) : Fahey

Page 1 of 9

It is certified that error appears in the above-identified patent and that said Letters Patent is hereby corrected as shown below:

Please **delete** Title Page and **insert** the Title Page as attached.

The Title Page showing and illustrative figure, should be **deleted** and **substitute** therefor the attached Title Page.

Delete Drawing Sheets 1-4 and **substitute** therefor the Drawings Sheets, consisting of Figs 1-14, as shown on the attached pages.

Signed and Sealed this

Twenty-fifth Day of March, 2008

A handwritten signature in black ink that reads "Jon W. Dudas". The signature is written in a cursive style with a large, looped initial "J".

JON W. DUDAS

Director of the United States Patent and Trademark Office

(12) **United States Design Patent** (10) **Patent No.:** **US D531,893 S**
Fahey (45) **Date of Patent:** **** Nov. 14, 2006**

(54) **PACKAGE FOR T-SHIRTS**

(75) **Inventor:** **Kevin Fahey, Wheaton, IL (US)**

(73) **Assignee:** **Town Tees**

(**) **Term:** **14 Years**

(21) **Appl. No.:** **29/237,712**

(22) **Filed:** **Sep. 6, 2005**

(51) **LOC (8) Cl.** **09-03**

(52) **U.S. Cl.** **D9/415**

(58) **Field of Classification Search** **D9/415,**
D9/414, 416, 418, 423, 432; 206/278, 279,
206/280, 294; 229/103.2, 103.3, 117.28,
229/210, 221, 247, 162.1, 174, 939
 See application file for complete search history.

(56) **References Cited**

U.S. PATENT DOCUMENTS

2,046,751 A *	7/1936	Ferdinand	206/745
3,507,442 A *	4/1970	Vandam et al.	229/240
4,224,358 A	9/1980	Hare	
4,284,456 A	8/1981	Hare	
D262,191 S *	12/1981	Quillen	D9/416
4,685,984 A	8/1987	Powers et al.	
D346,960 S *	5/1994	Bennett	D9/418
5,316,139 A *	5/1994	Judd et al.	206/278
D377,144 S *	1/1997	Sawa	D9/432
5,718,331 A *	2/1998	Smith	206/292
D434,256 S *	11/2000	Shimbo et al.	D6/515
6,232,041 B1	5/2001	Roberts et al.	
D462,264 S *	9/2002	Barr et al.	D9/416

* cited by examiner

Primary Examiner---Stella Reid

Assistant Examiner---Derrick Holland

(74) *Attorney, Agent, or Firm*---Michael P. Mazza

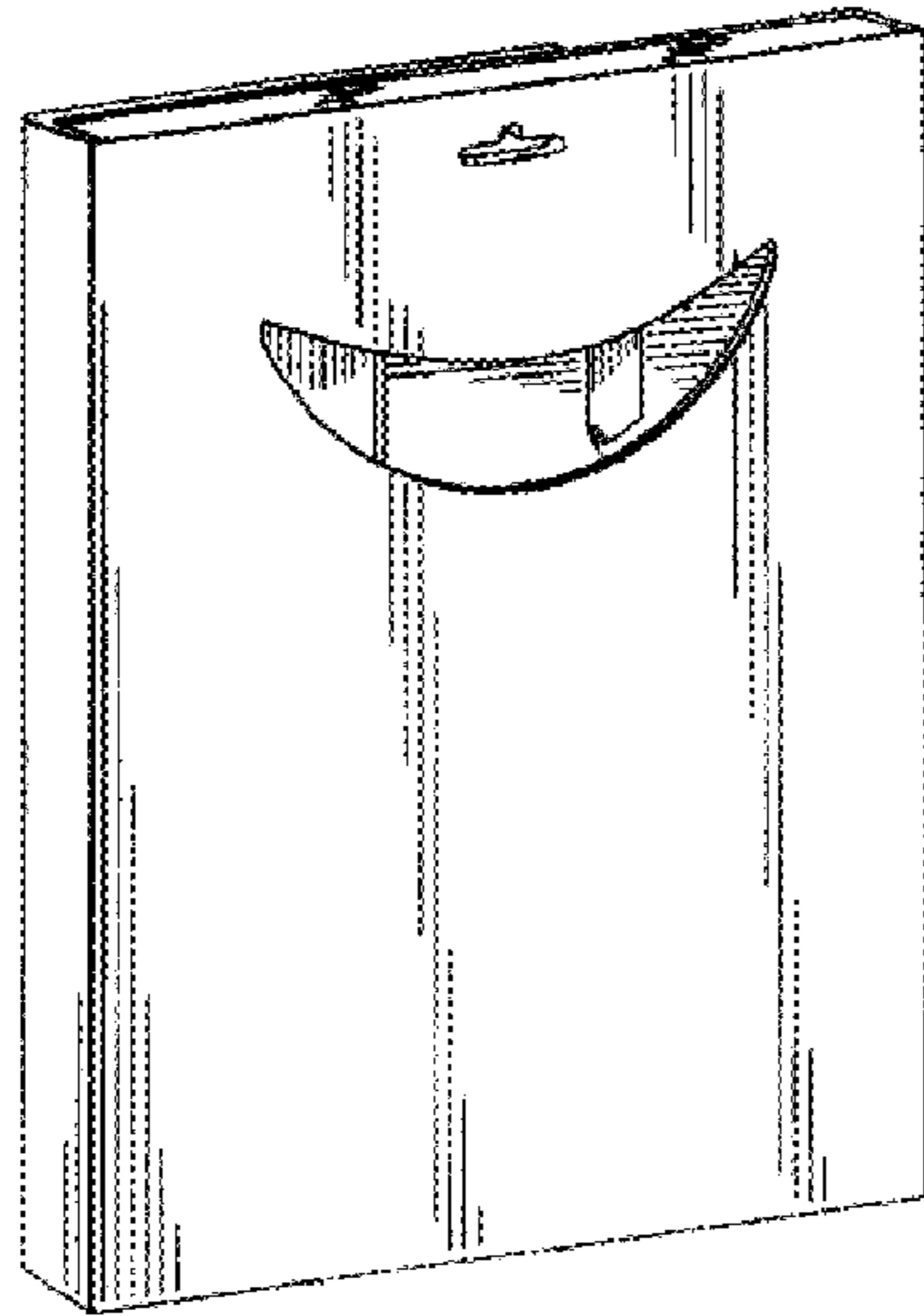
(57) **CLAIM**

I claim a package for t-shirts, as well as possibly other materials associated with applying graphics to t-shirts such as iron-on transfer paper and the like, as shown in the drawings.

DESCRIPTION

FIG. 1 is a top and side perspective view of a preferred embodiment of the t-shirt package of the present invention; FIG. 2 is a rear view of the package shown in FIG. 1; FIG. 3 is a front view of the package shown in FIG. 1; FIG. 4 is a top view of the package shown in FIG. 3; FIG. 5 is a side view of the package shown in FIG. 3; FIG. 6 is a rear view of the package shown in FIG. 1; FIG. 7 is a side view of the package shown in FIG. 6; FIG. 8 is a top view of the package shown in FIG. 6; FIG. 9 is a top view of the package embodiment shown in FIGS. 1-8, in a fully opened condition; FIG. 10 is a top and side perspective view of an alternative embodiment of the t-shirt package of the present invention; FIG. 11 is a front view of the package embodiment shown in FIG. 10; FIG. 12 is a top and side perspective view of yet another alternative embodiment of the t-shirt package of the present invention; FIG. 13 is a front view of the package embodiment shown in FIG. 12; and, FIG. 14 is a top and side perspective view of the embodiment shown in FIGS. 1-9, with the t-shirt shown in dotted lines and not forming a part of the invention.

1 Claim, 7 Drawing Sheets



U.S. Patent

Nov. 14, 2006

Sheet 1 of 7

D531,893 S

Fig. 1

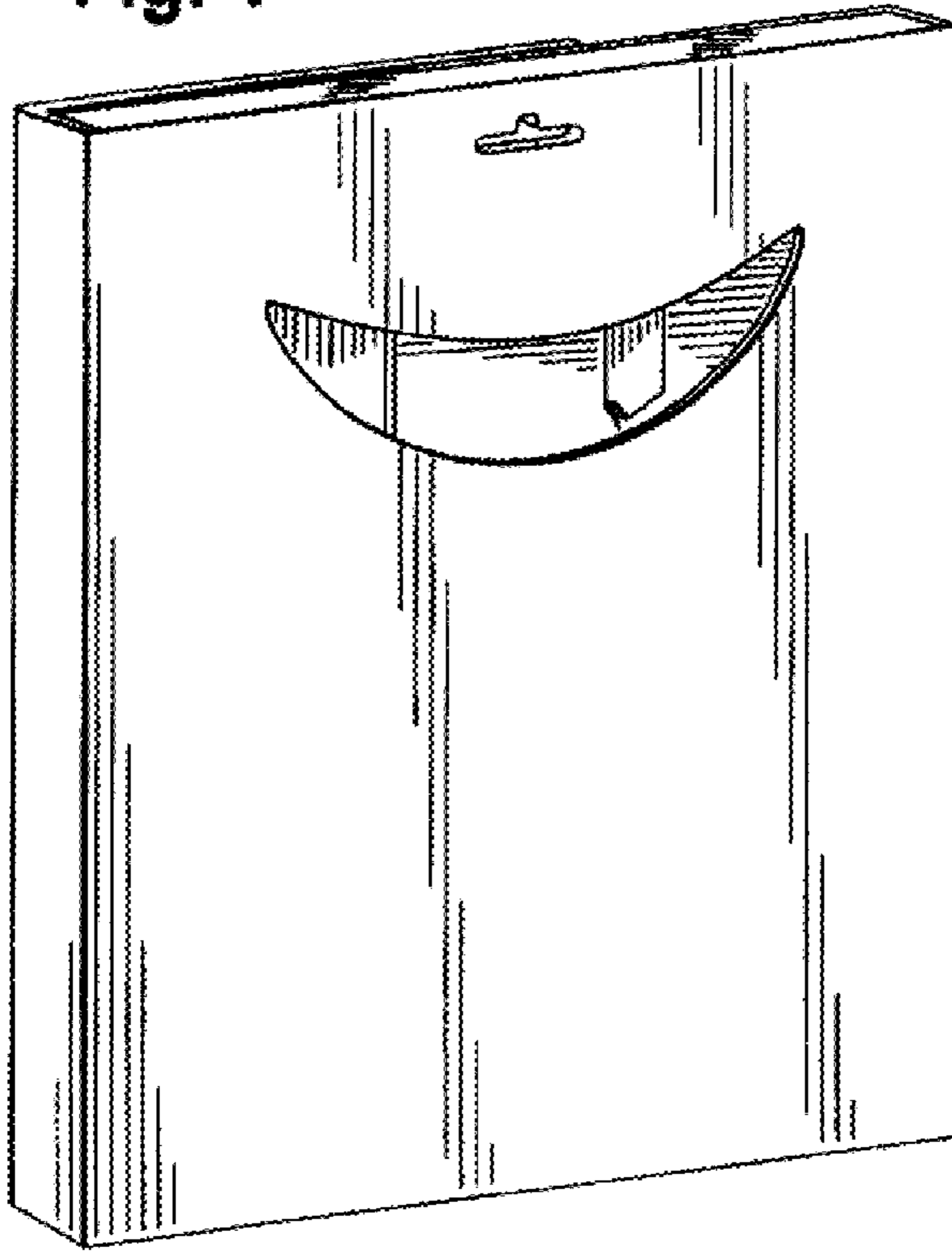


Fig. 2

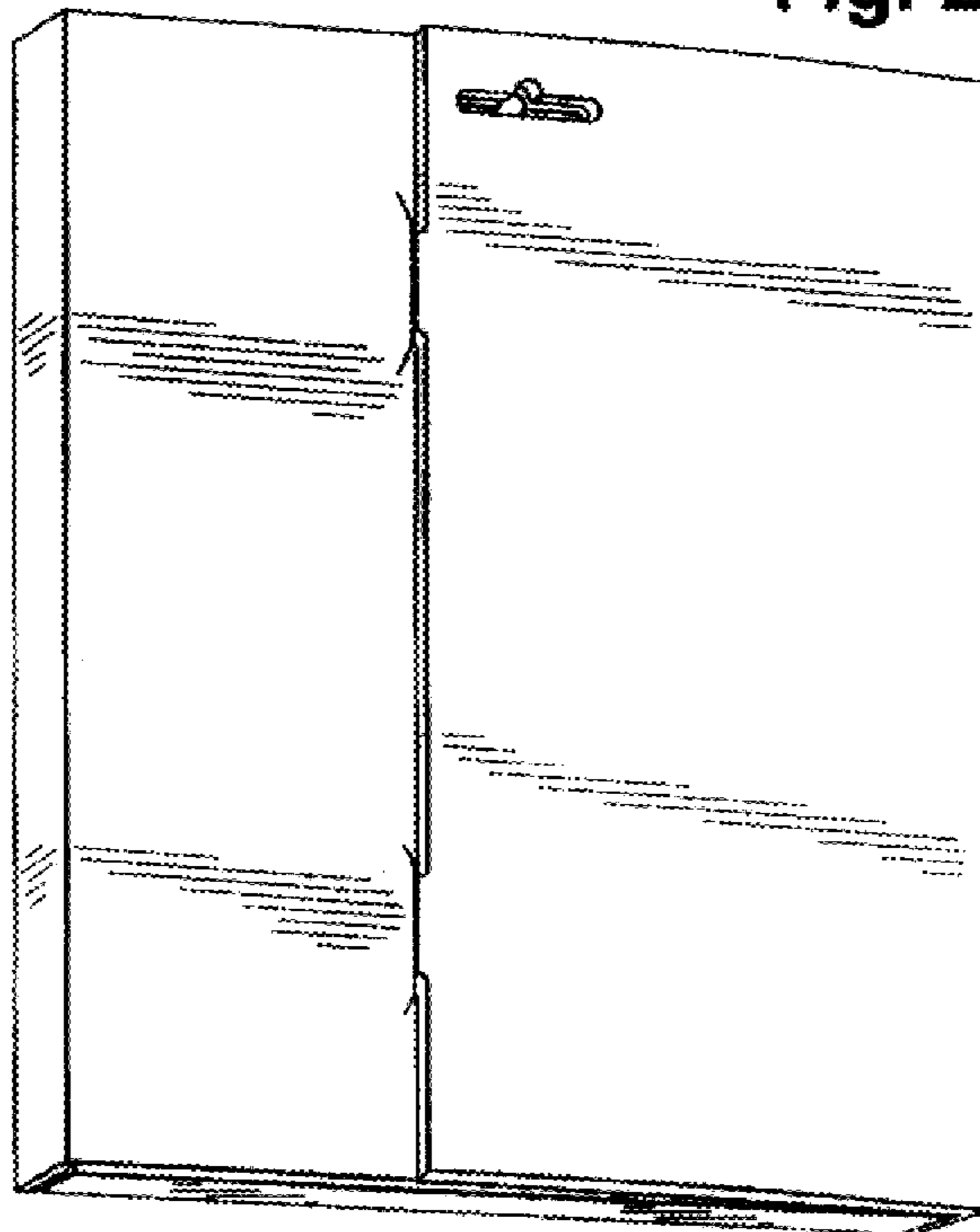


Fig. 4

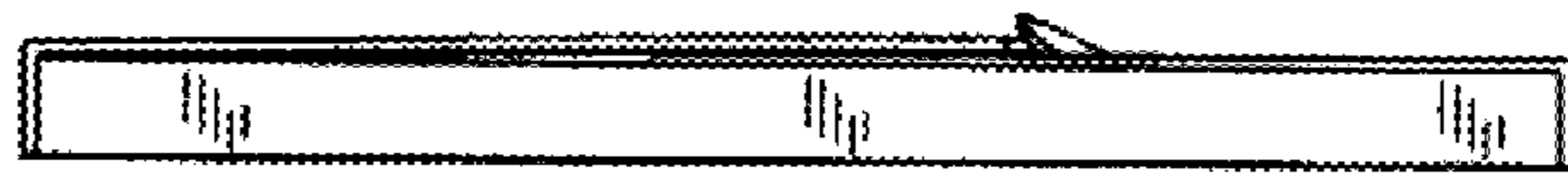


Fig. 5

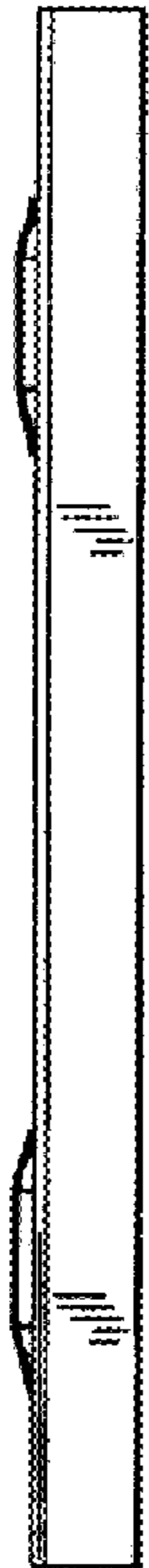


Fig. 3

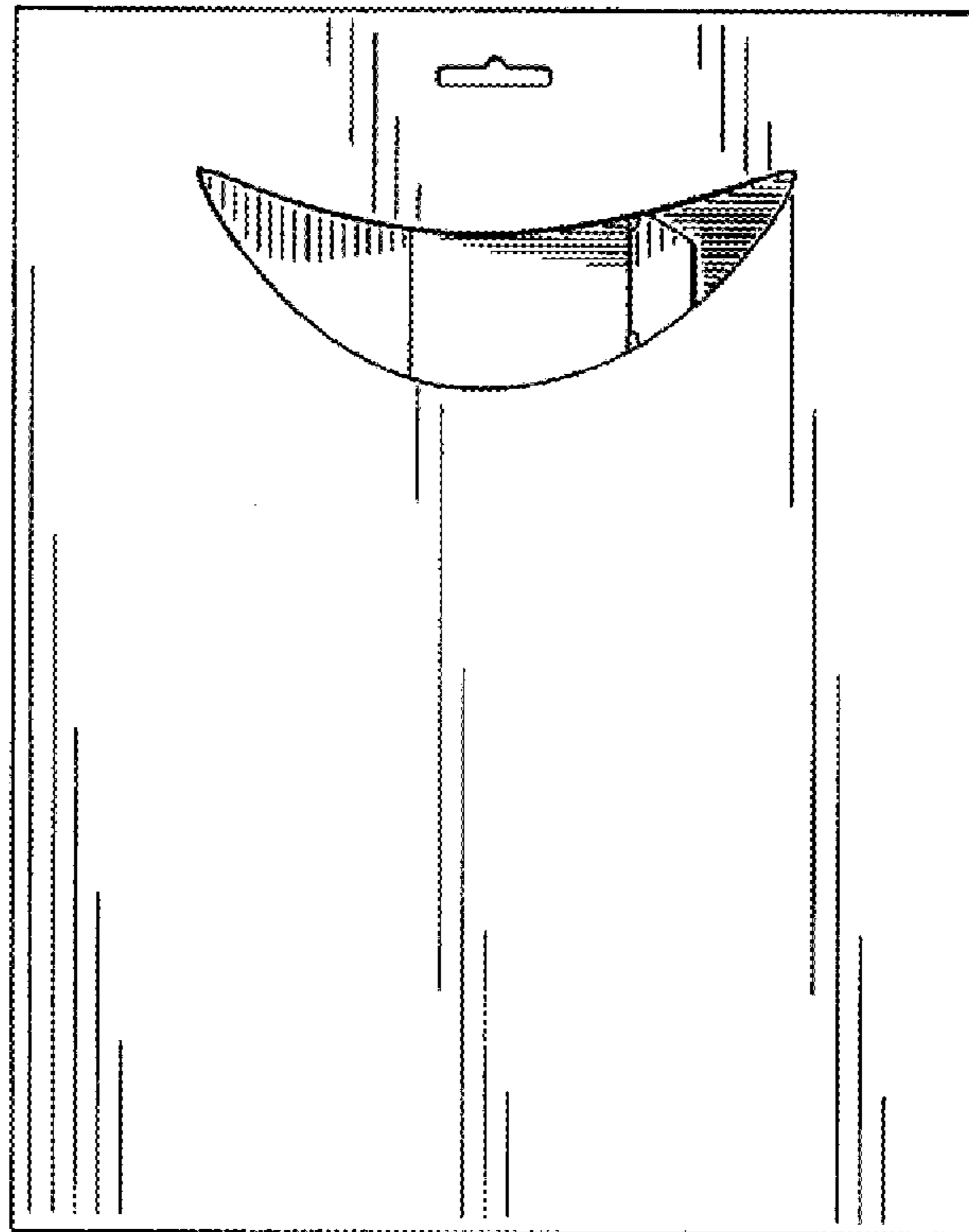


Fig. 6

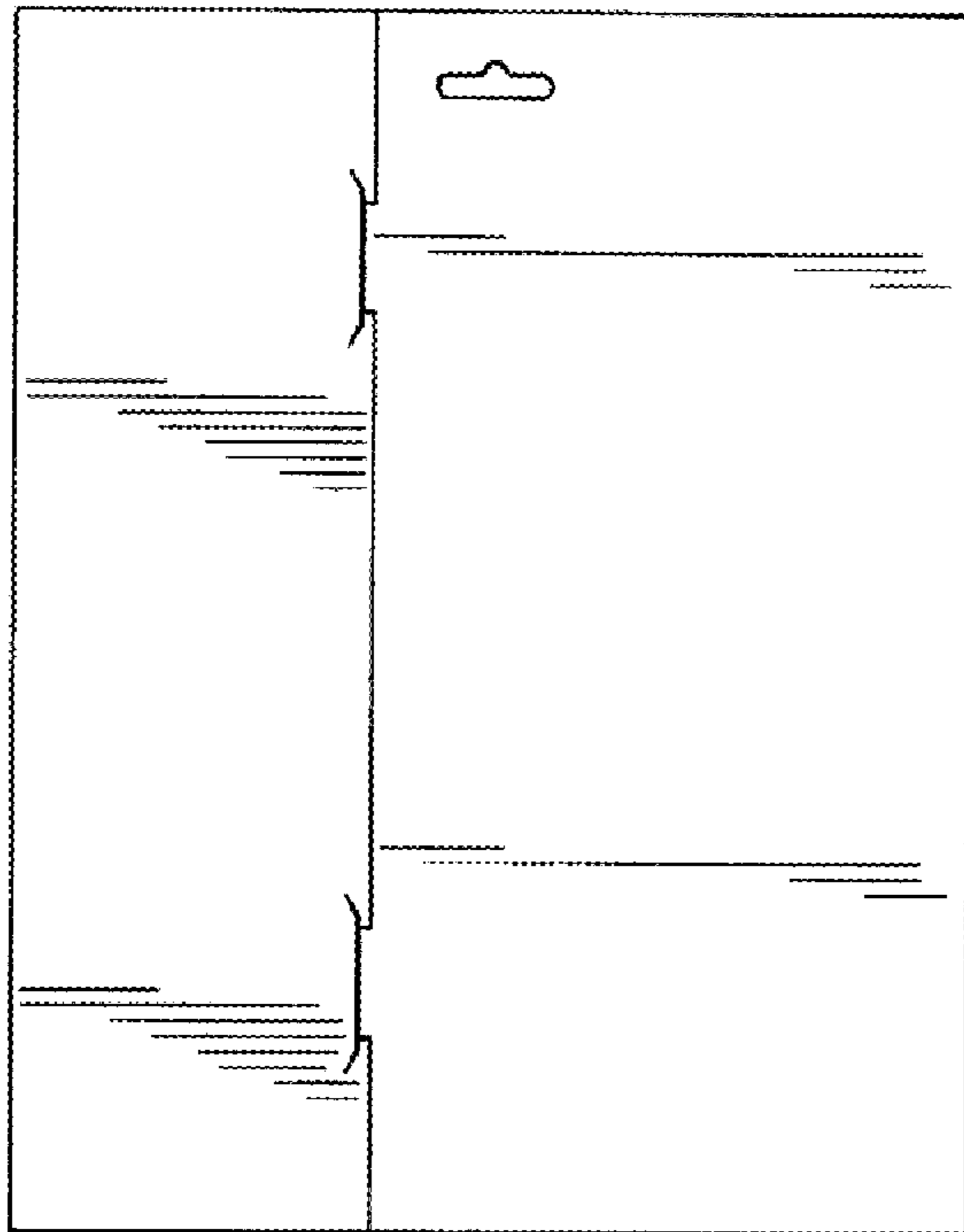
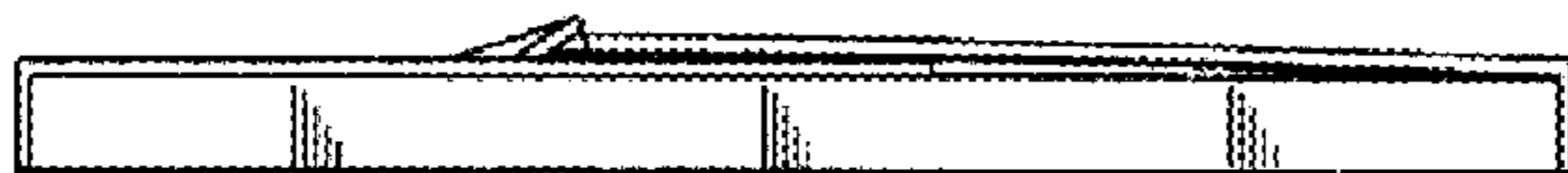


Fig. 7



Fig. 8



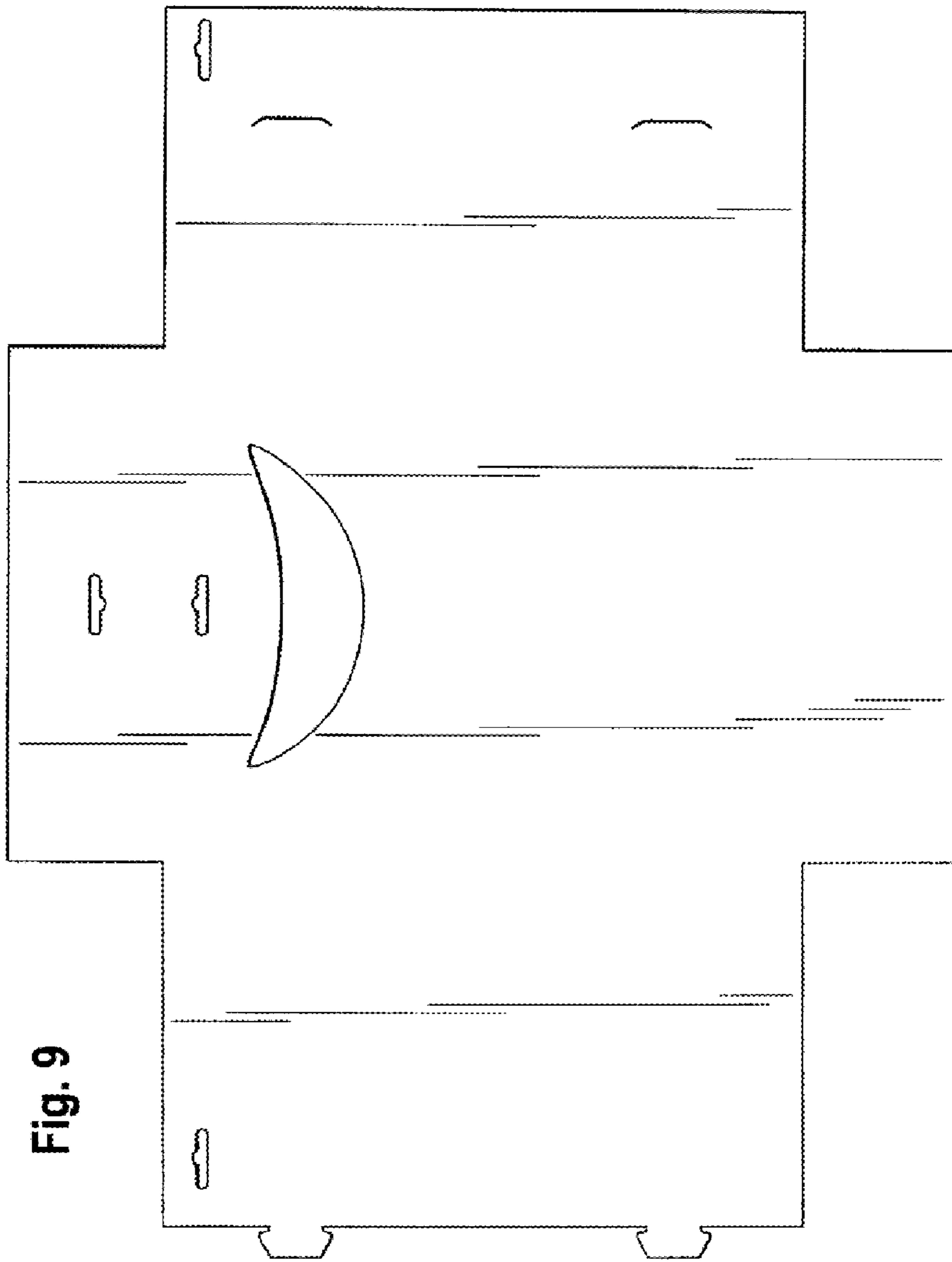


Fig. 9

Fig. 10

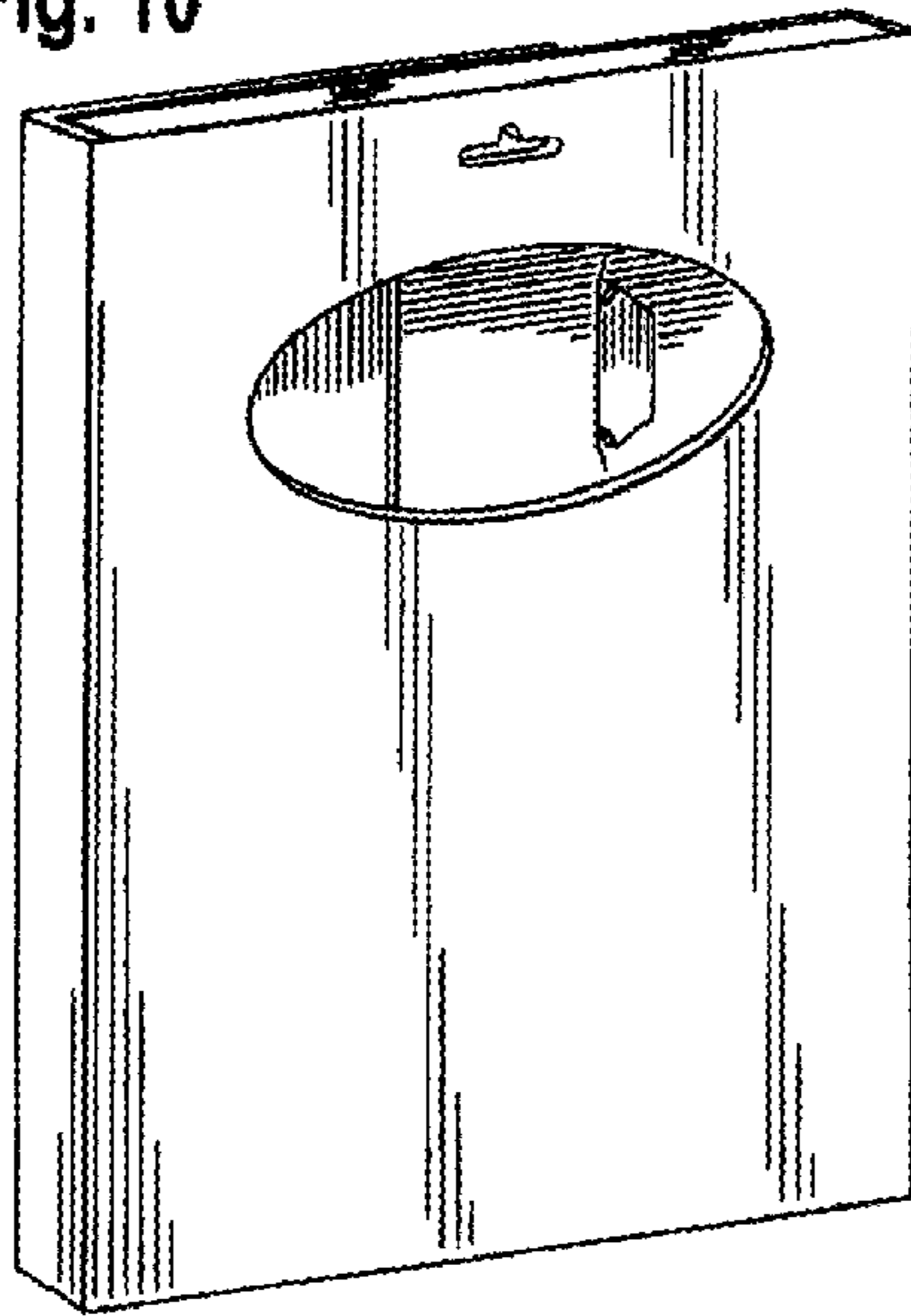
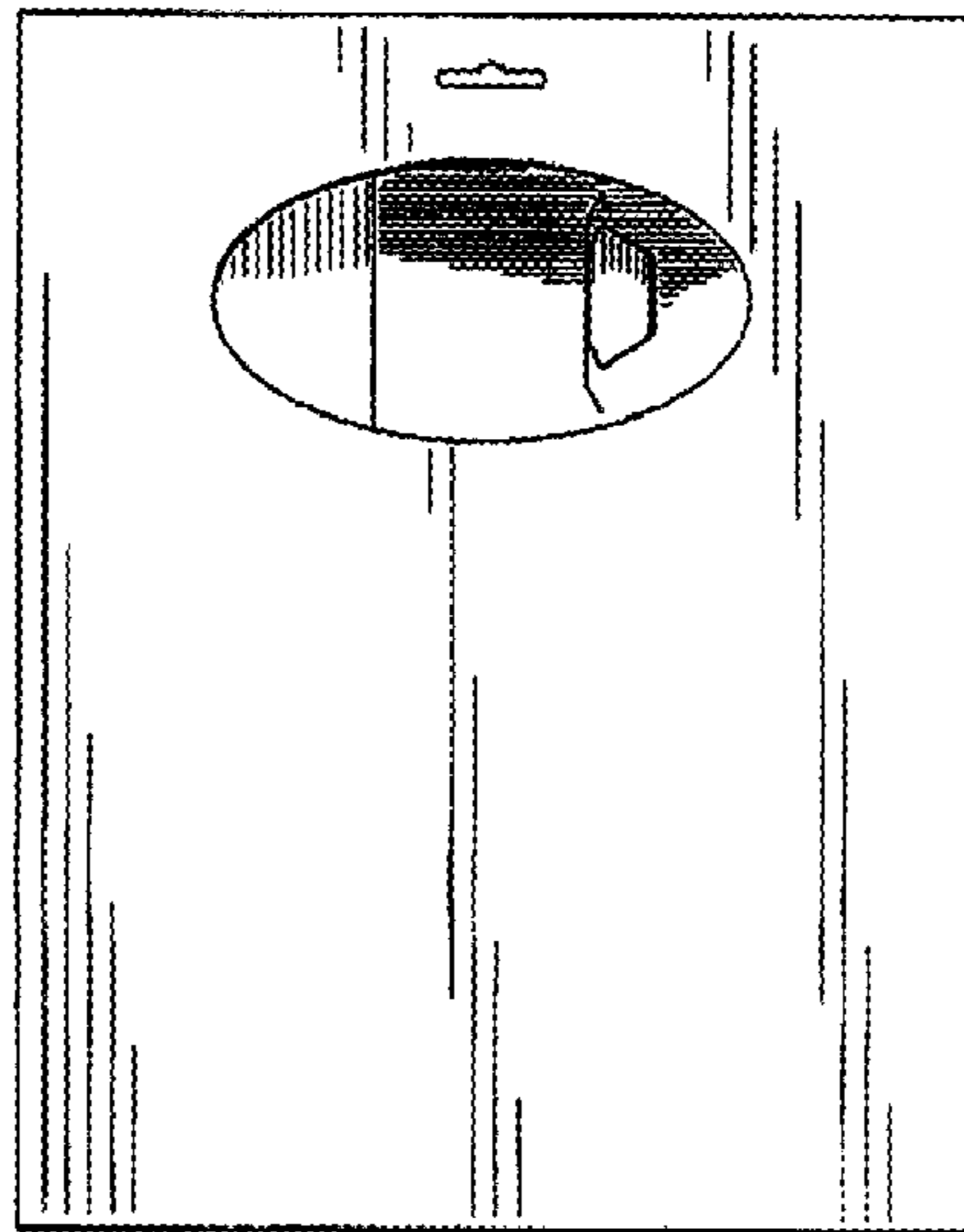


Fig. 11



U.S. Patent

Nov. 14, 2006

Sheet 6 of 7

D531,893 S

Fig. 12

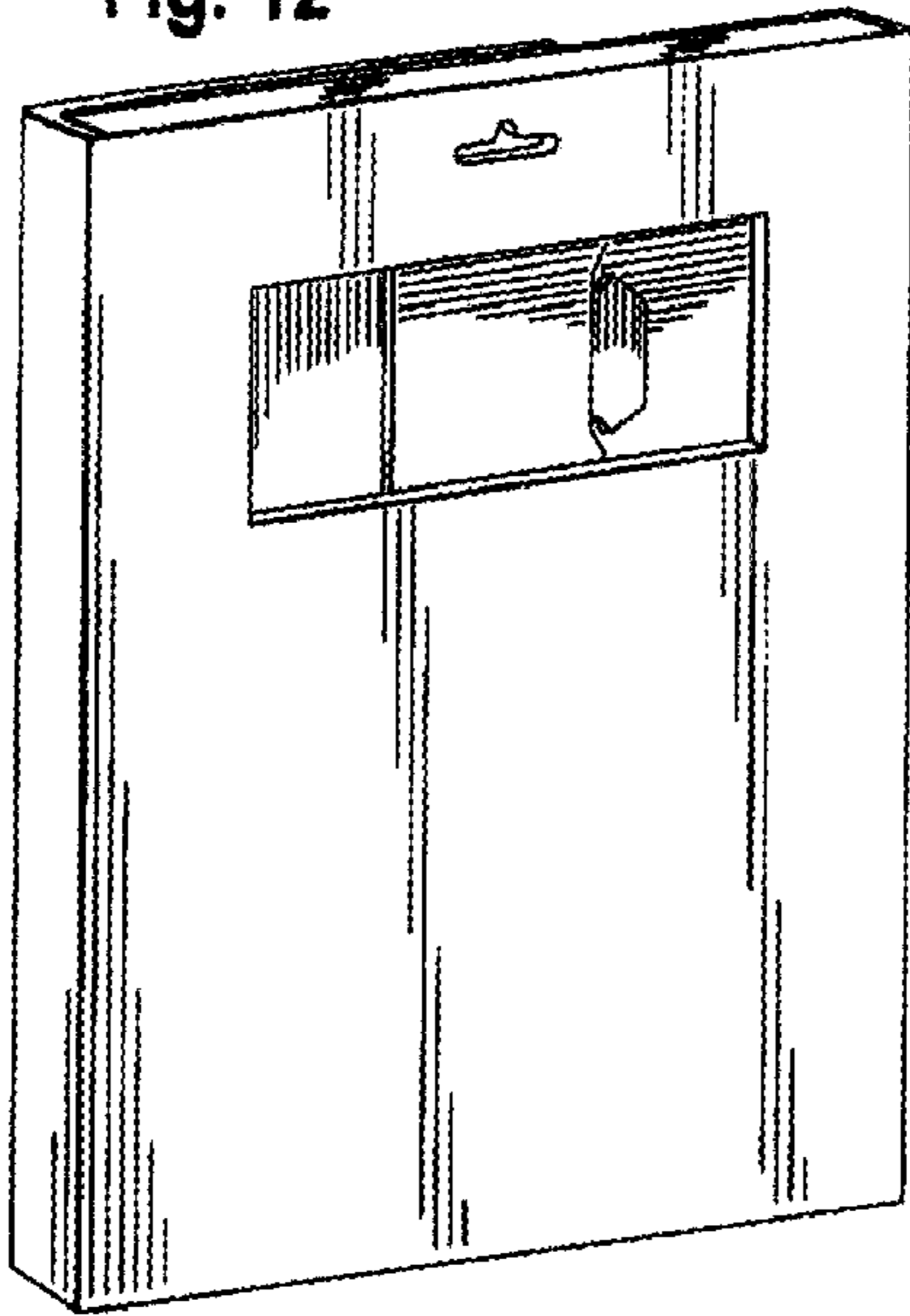


Fig. 13

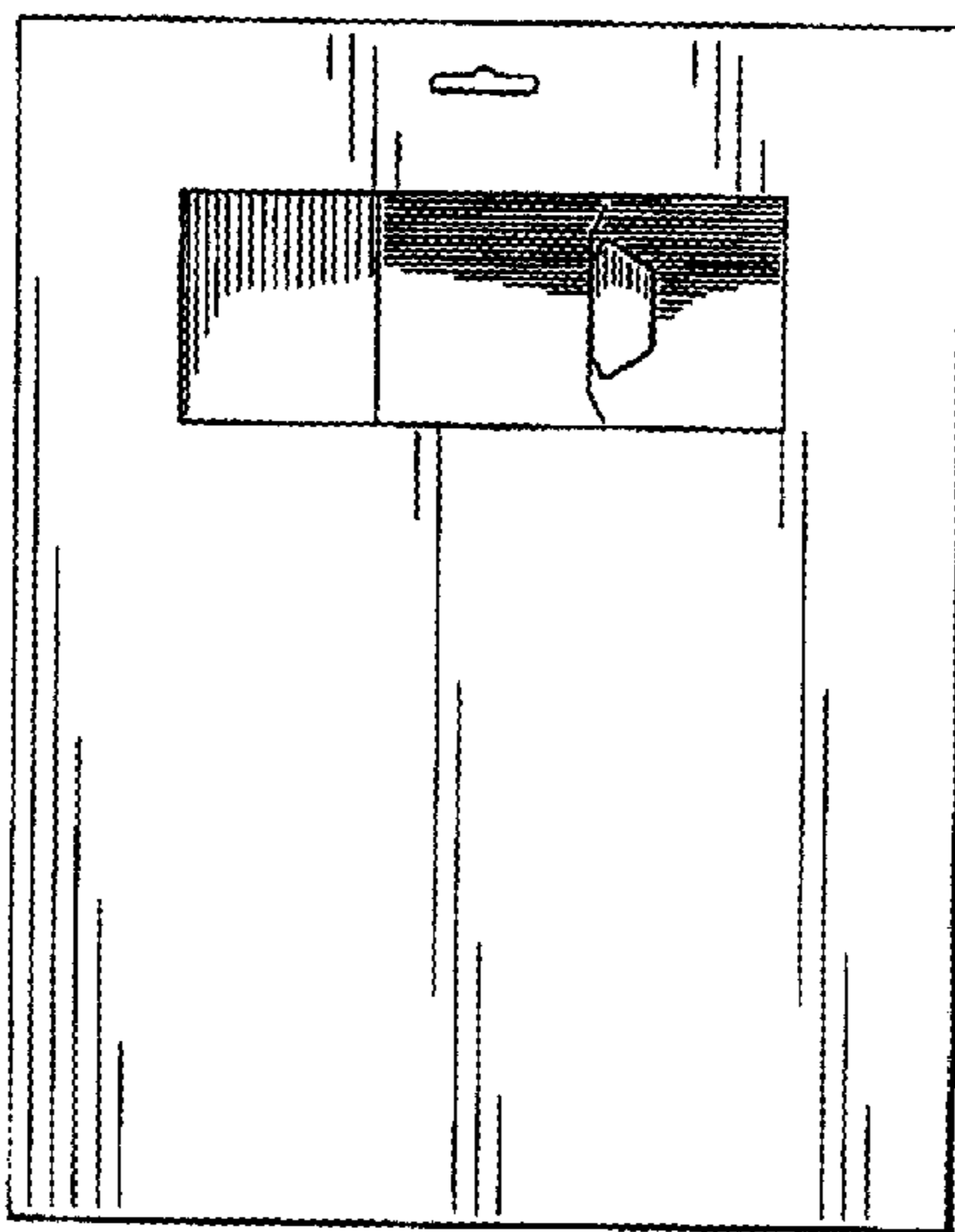


Fig. 14

