

US00D531891S

(12) **United States Design Patent**
Nawrocki

(10) **Patent No.:** **US D531,891 S**

(45) **Date of Patent:** **** Nov. 14, 2006**

(54) **DOVETAIL RETAINER CLIP**

D519,023 S * 4/2006 Wall D8/382
D520,350 S * 5/2006 Wall D8/382
D521,364 S * 5/2006 Wall D8/382

(75) Inventor: **John Richard Nawrocki**, Ocala, FL
(US)

FOREIGN PATENT DOCUMENTS

(73) Assignee: **Clairson, Inc.**, Newark, DE (US)

EP 0 365 197 4/1990

(**) Term: **14 Years**

* cited by examiner

(21) Appl. No.: **29/235,072**

Primary Examiner—Holly H. Baynham

Assistant Examiner—Cynthia M. Chin

(22) Filed: **Jul. 27, 2005**

(74) *Attorney, Agent, or Firm*—Harness, Dickey & Pierce,
P.L.C.

(51) **LOC (8) Cl.** **08-08**

(57) **CLAIM**

(52) **U.S. Cl.** **D8/395**

(58) **Field of Classification Search** D8/349,
D8/356, 371, 382, 394–396; D28/39; 24/327,
24/334, 546, 563; 248/74.2, 300, 301, 316.7,
248/229.26

The ornamental design for a dovetail retainer clip, as shown
and described.

See application file for complete search history.

DESCRIPTION

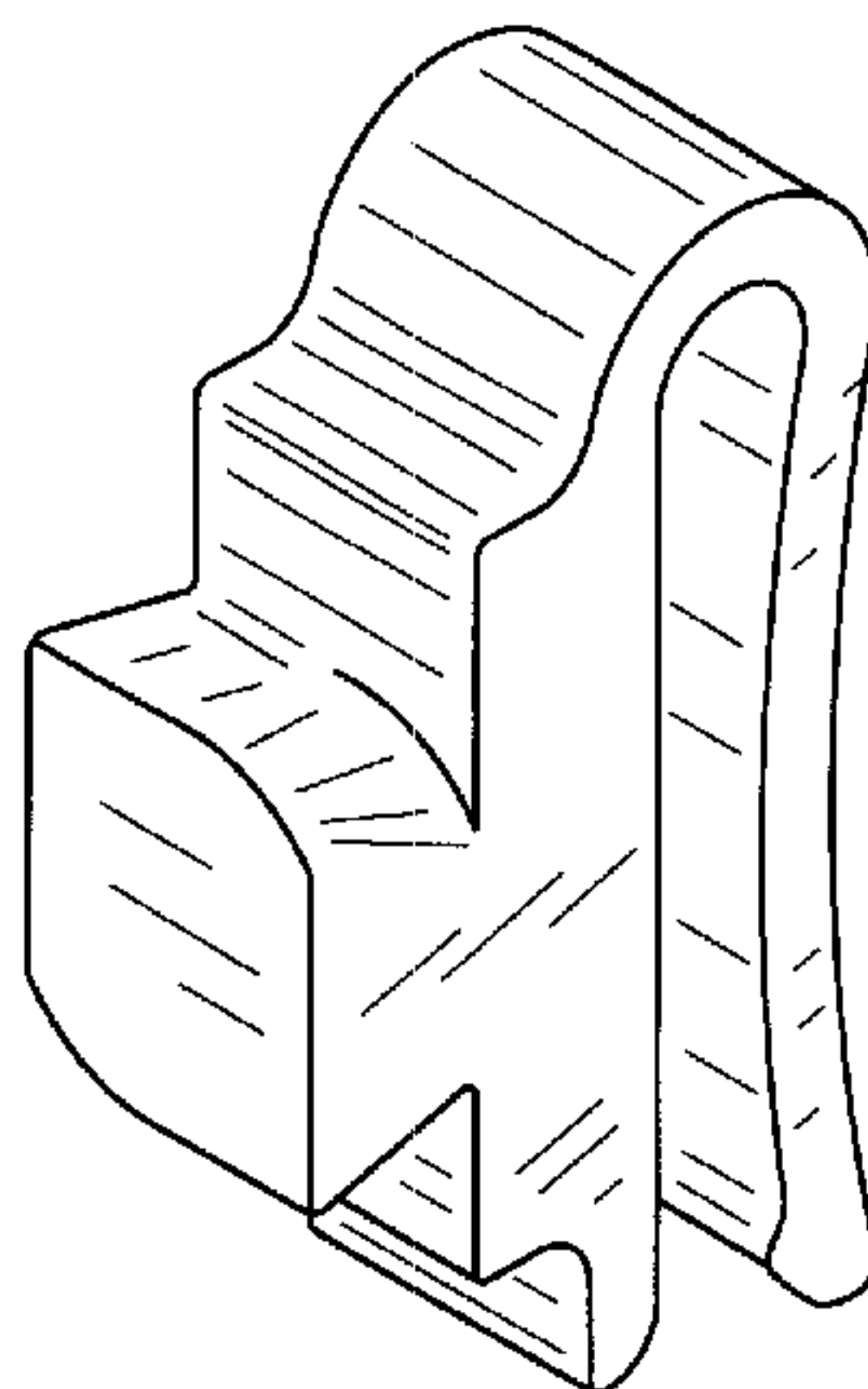
(56) **References Cited**

U.S. PATENT DOCUMENTS

D23,446 S	7/1894	Kiefer	
4,094,415 A	6/1978	Larson	
D286,980 S	12/1986	Jonsson	
4,635,801 A	1/1987	Oren	
4,728,068 A	3/1988	Rivkin	
4,805,784 A	2/1989	Solheim et al.	
D300,089 S	3/1989	Edwards	
4,927,020 A	5/1990	Randy	
5,109,576 A *	5/1992	Teekell et al.	24/30.5 R
5,205,420 A	4/1993	Petryszak	
5,356,104 A	10/1994	Rosenberg et al.	
5,375,802 A	12/1994	Branham, II	
D361,506 S *	8/1995	Rumpel	D8/395
5,531,416 A	7/1996	Remmers	
5,669,515 A	9/1997	Tisbo et al.	
5,711,435 A	1/1998	Morison et al.	
5,758,851 A	6/1998	Remmers	
5,829,103 A	11/1998	Allen	
6,393,675 B1 *	5/2002	Gaetke	24/563
6,481,679 B1	11/2002	Bennett et al.	
6,585,204 B1	7/2003	Haertzen	
6,644,483 B1	11/2003	-Lai	
6,702,128 B1	3/2004	Winig et al.	
6,915,913 B1	7/2005	Cardinell	
D510,019 S *	9/2005	Davis	D8/395
D516,904 S *	3/2006	Kendrick	D8/395

FIG. 1 is a perspective view of a dovetail retainer clip, showing my new design;
 FIG. 2 is a back perspective view of the dovetail retainer clip shown in FIG. 1;
 FIG. 3 is a lower perspective view of the dovetail retainer clip shown in FIG. 1;
 FIG. 4 is a lower back perspective view of the dovetail retainer clip shown in FIG. 1;
 FIG. 5 is a left side elevation view of the dovetail retainer clip shown in FIG. 1;
 FIG. 6 is a right side elevation view of the dovetail retainer clip shown in FIG. 1;
 FIG. 7 is a back elevation view of the dovetail retainer clip shown in FIG. 1;
 FIG. 8 is a front elevation view of the of the dovetail retainer clip shown in FIG. 1;
 FIG. 9 is a bottom plan view of the dovetail retainer clip shown in FIG. 1;
 FIG. 10 is a top plan view of the dovetail retainer clip shown in FIG. 1;
 FIG. 11 is a perspective view of the dovetail retainer clip shown in FIG. 1 and engaged with a dovetail slot of a trim piece; and,
 FIG. 12 is a perspective view of the dovetail retainer clip shown in FIG. 1 being used to attach a trim piece to a shelf. The details shown in broken lines are for illustrative purposes only and form no part of the claimed design.

1 Claim, 3 Drawing Sheets



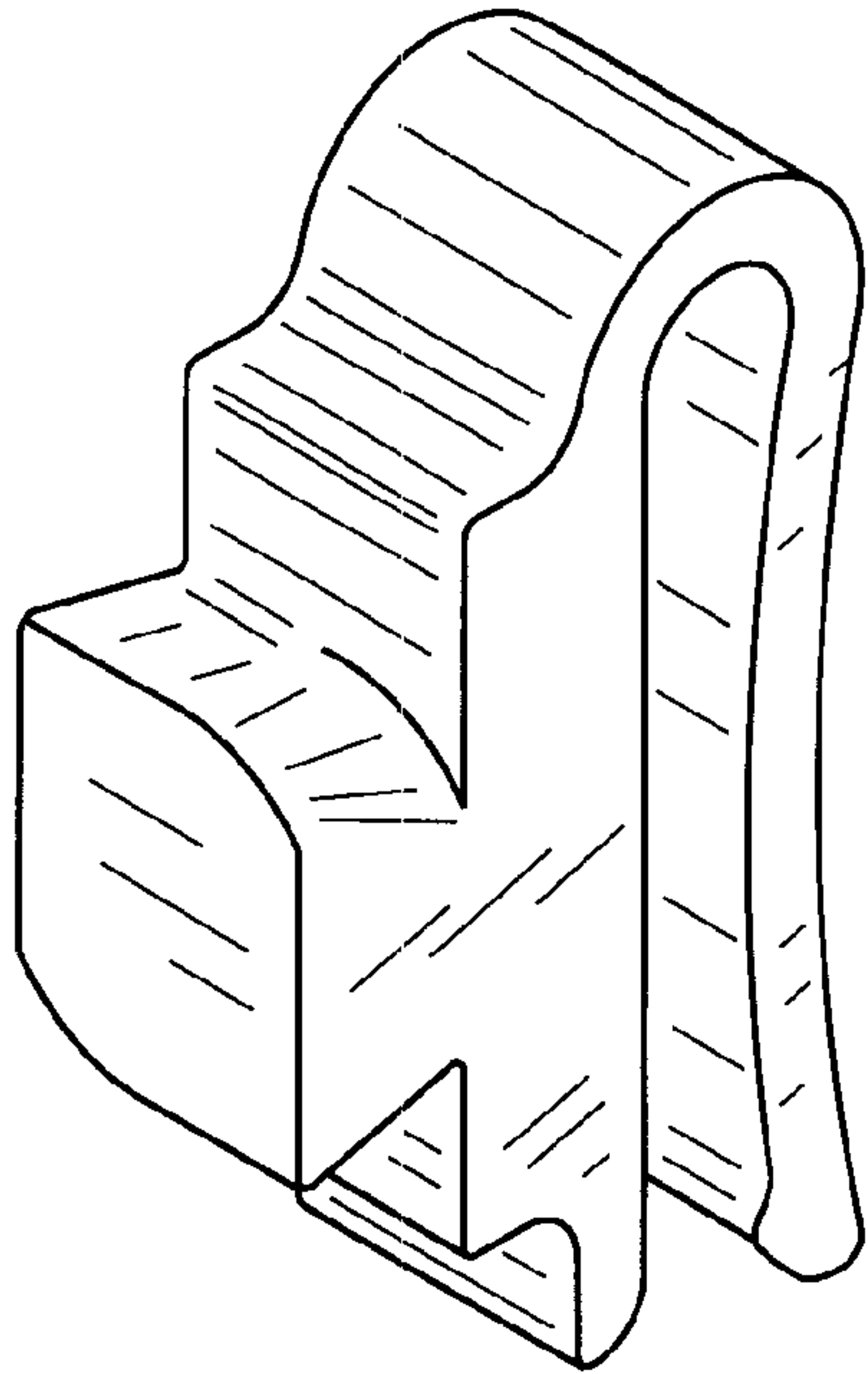


FIG. 1

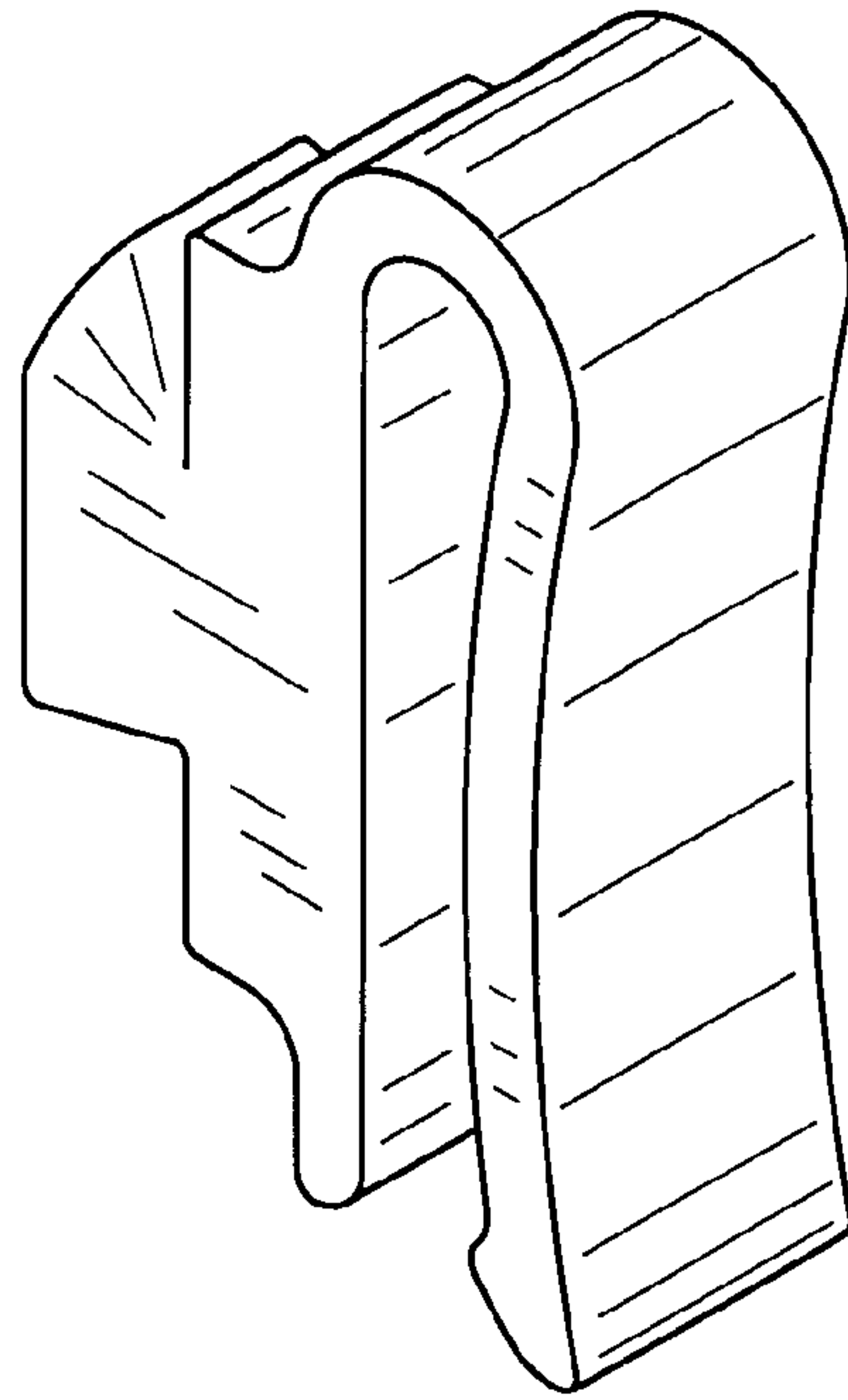


FIG. 2

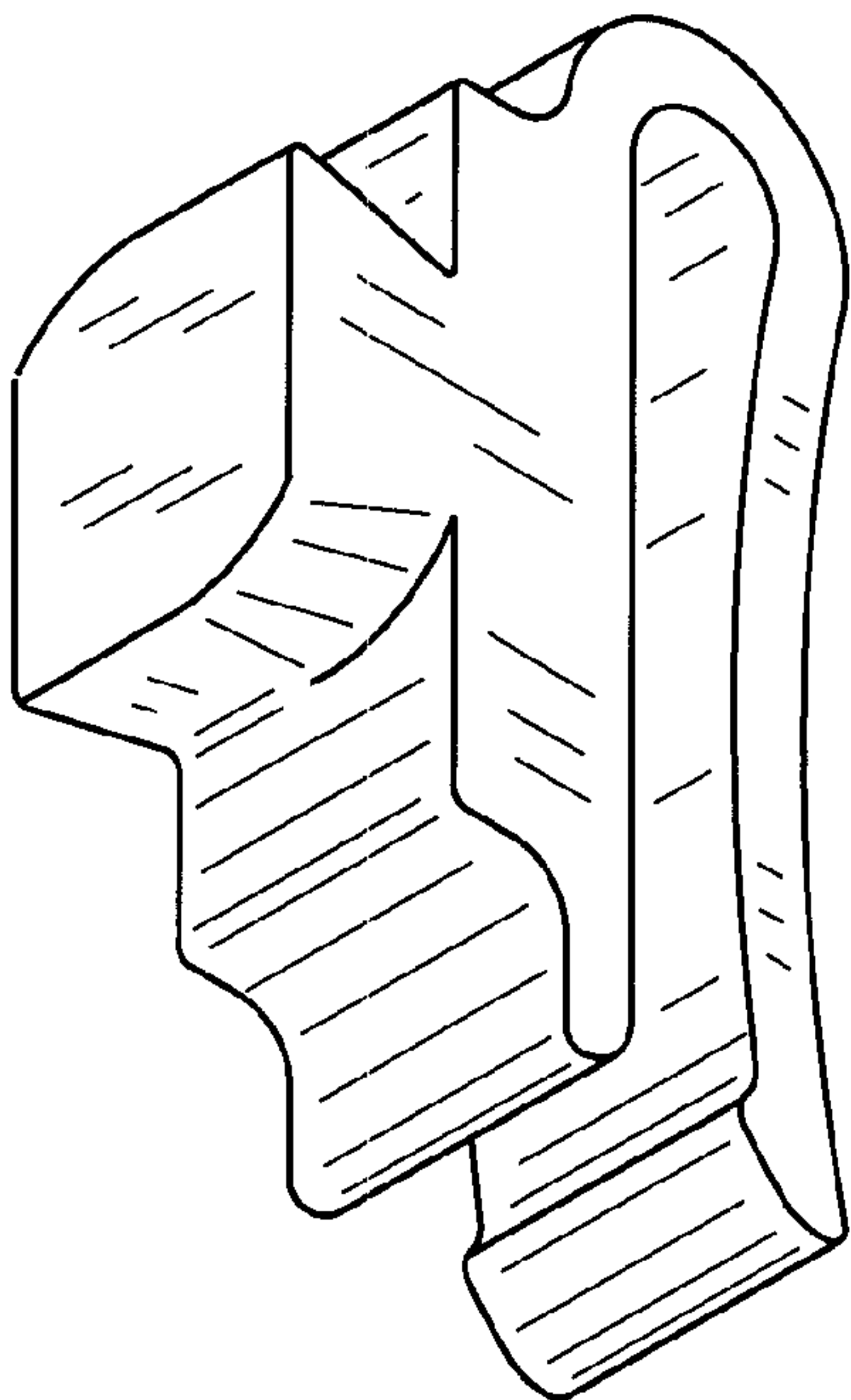


FIG. 3

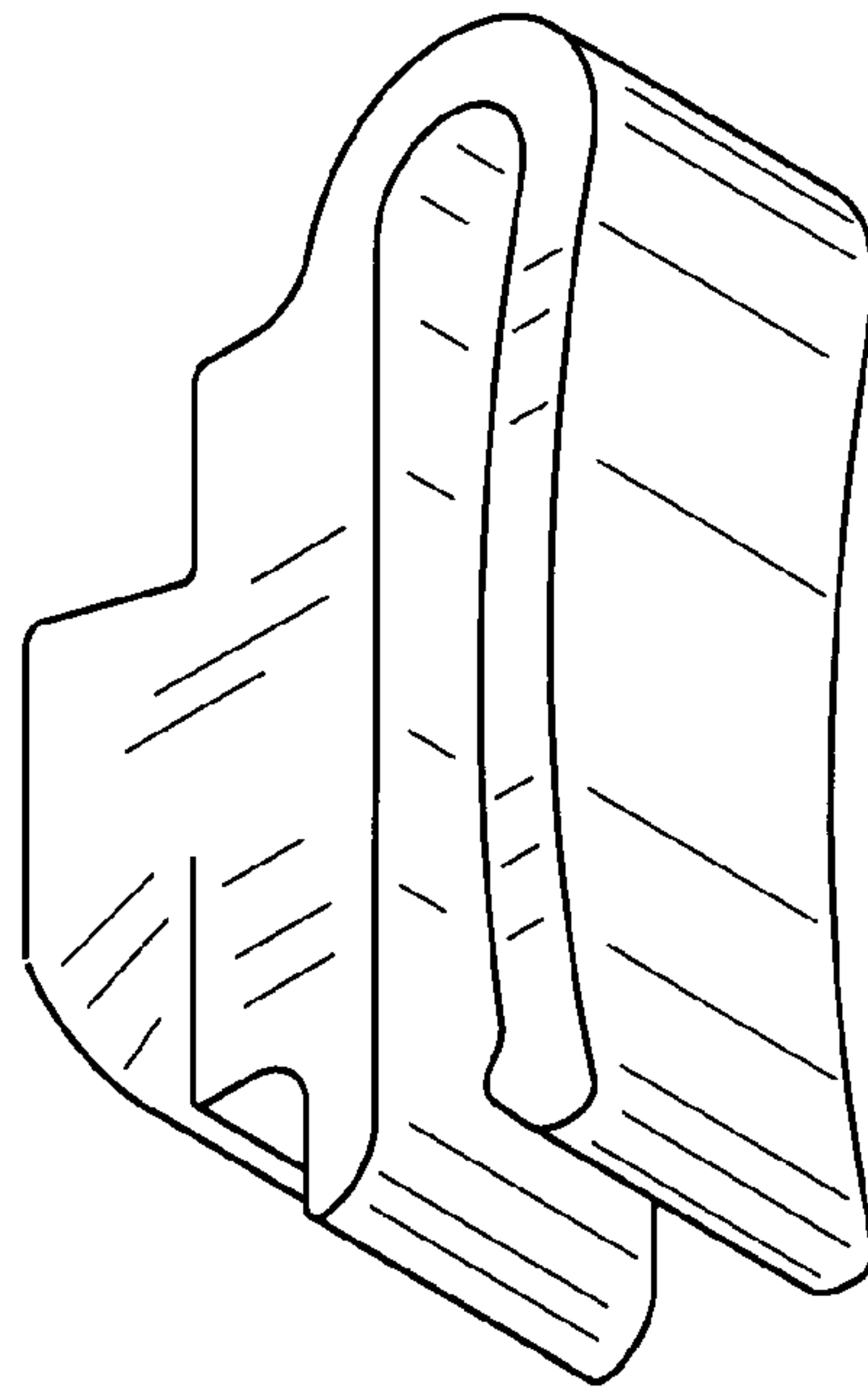


FIG. 4

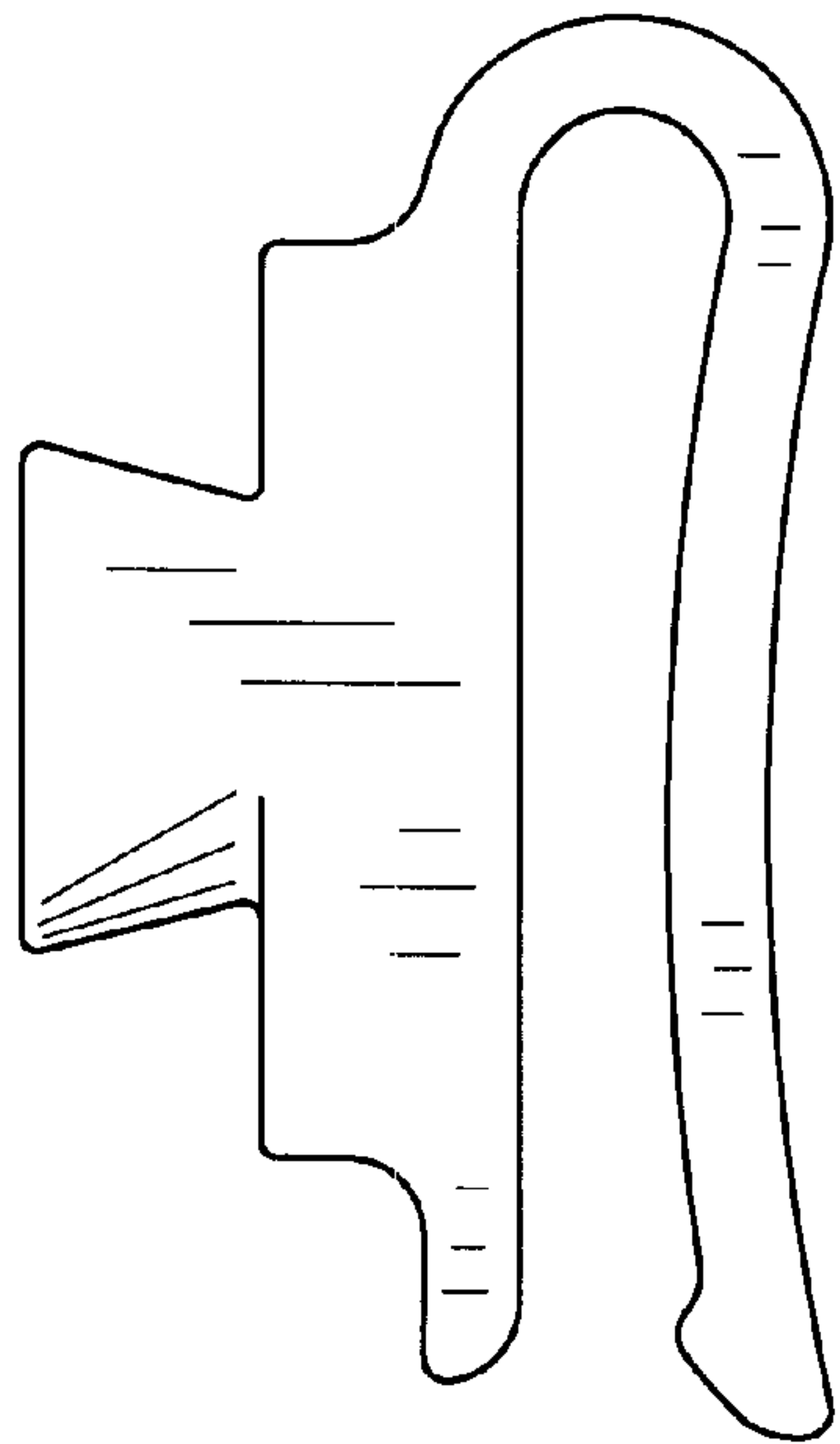


FIG. 5



FIG. 6

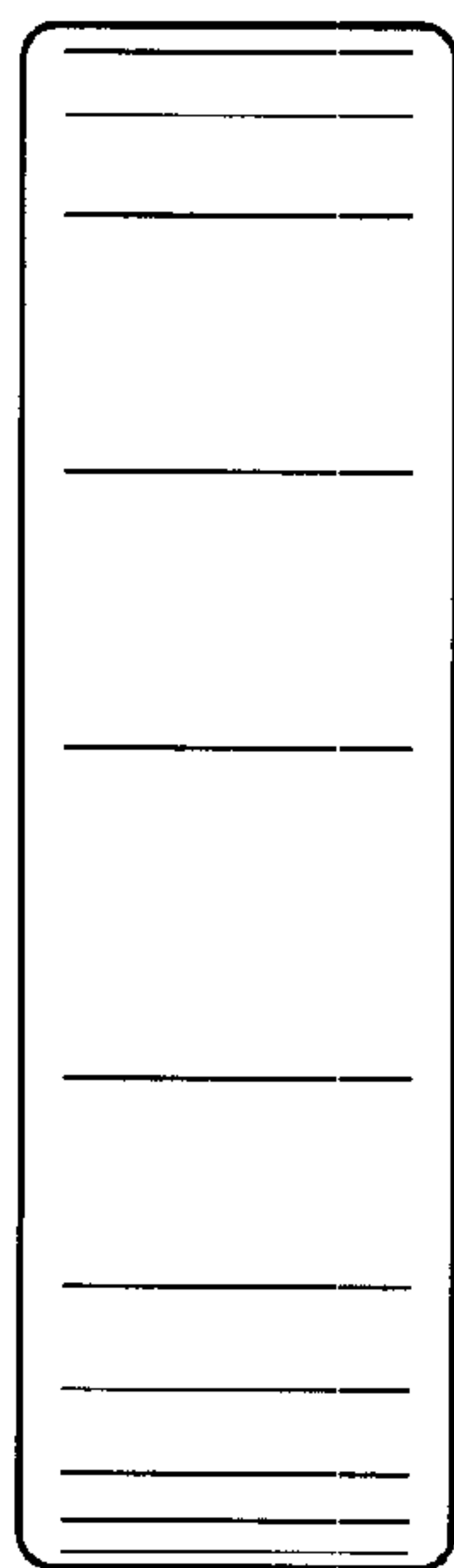


FIG. 7

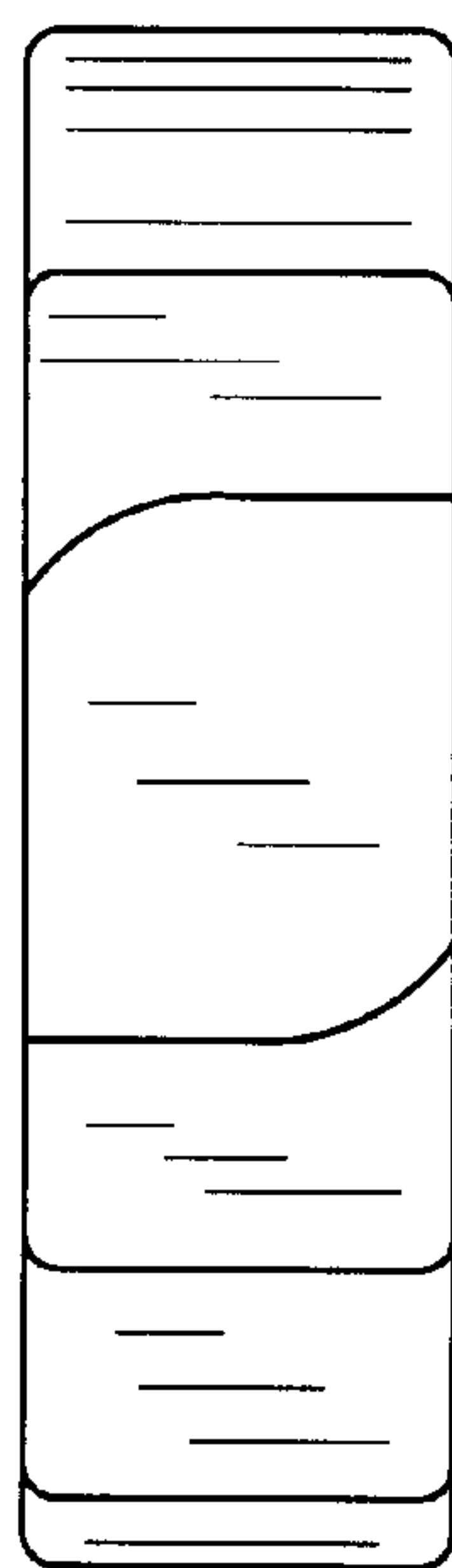


FIG. 8

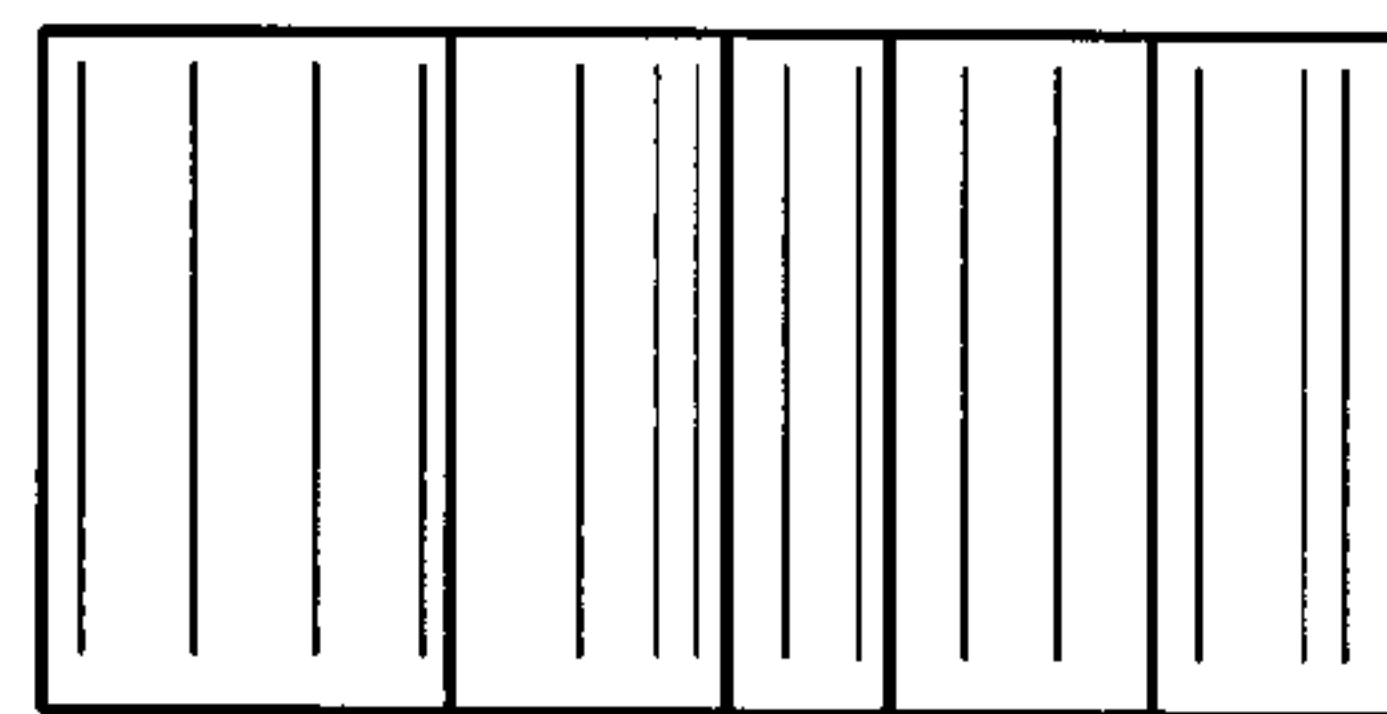


FIG. 9

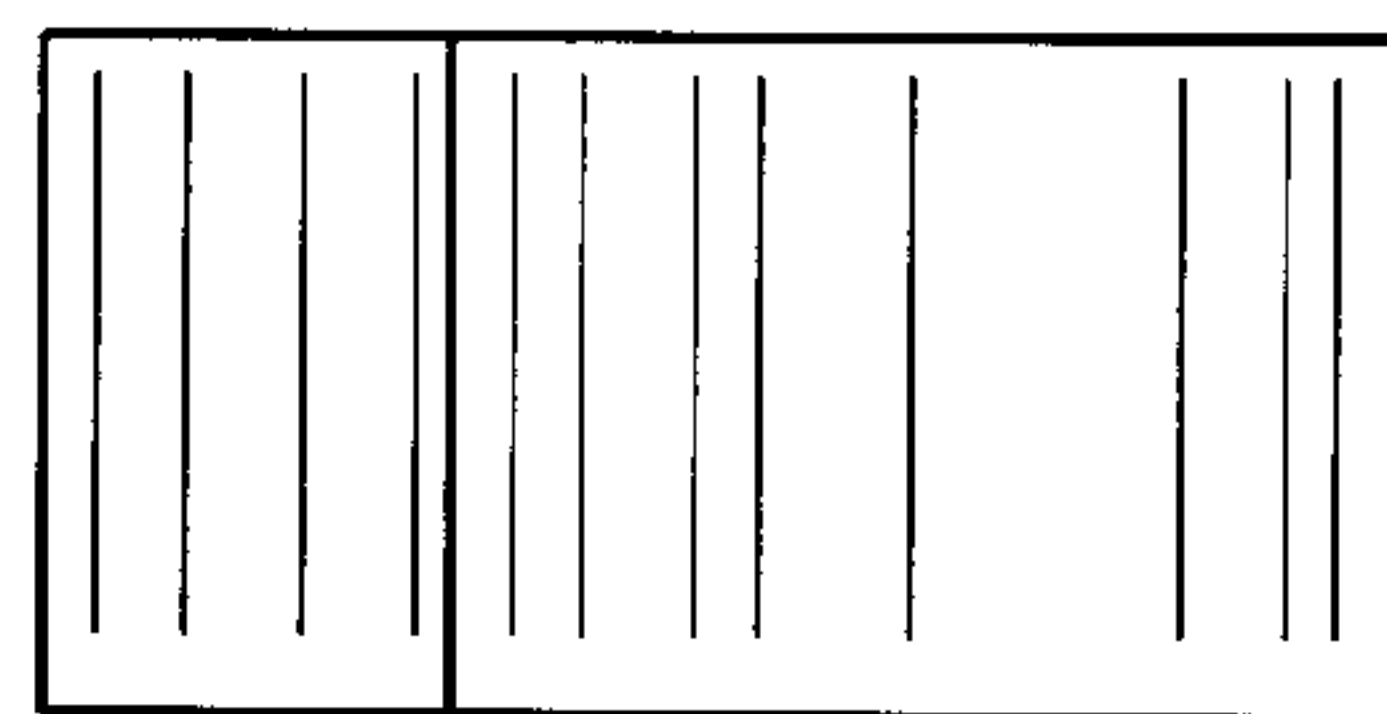


FIG. 10

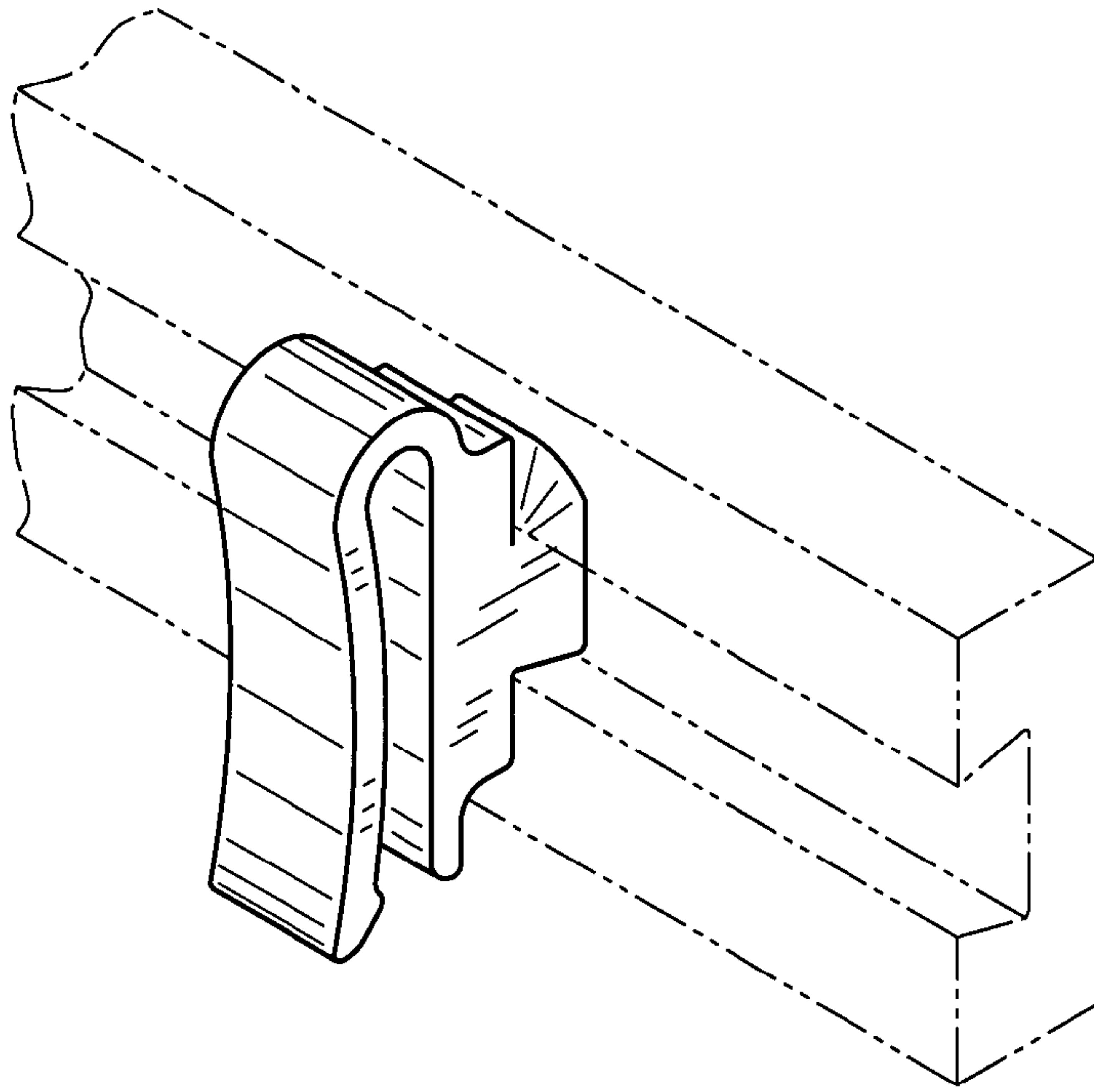


FIG. 11

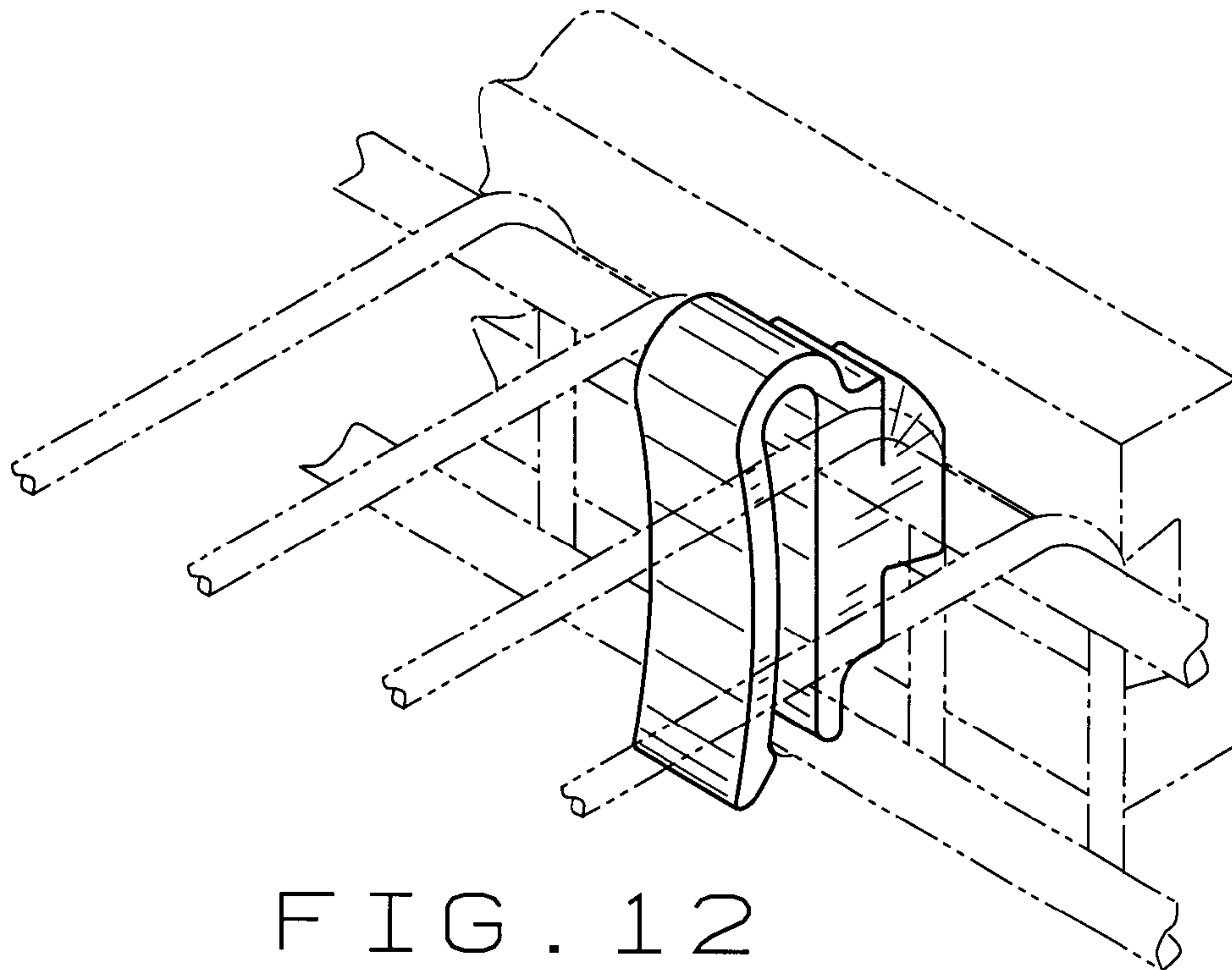


FIG. 12