



US00D531890S

(12) **United States Design Patent**
Bentrim

(10) **Patent No.:** **US D531,890 S**

(45) **Date of Patent:** **** Nov. 14, 2006**

(54) **CIRCUIT BOARD MOUNTING BRACKET**

(75) Inventor: **Brian G. Bentrim**, Doylestown, PA
(US)

(73) Assignee: **PEM Management, Inc.**, Wilmington,
DE (US)

(**) Term: **14 Years**

(21) Appl. No.: **29/232,647**

(22) Filed: **Jun. 23, 2005**

(51) **LOC (8) Cl.** **08-08**

(52) **U.S. Cl.** **D8/382**

(58) **Field of Classification Search** D8/349,
D8/382, 396; 248/71, 74.1, 74.2, 231.9; 24/339
See application file for complete search history.

(56) **References Cited**

U.S. PATENT DOCUMENTS

4,291,855	A	*	9/1981	Schenkel et al.	248/74.1
D271,467	S	*	11/1983	Sakaguchi	D8/382
D273,659	S	*	5/1984	Sakaguchi	D8/396
D336,731	S	*	6/1993	Nichols, Jr.	D8/382
D357,171	S	*	4/1995	Studdiford	D8/349

D358,085	S	*	5/1995	Siragusa et al.	D8/382
5,810,501	A		9/1998	Ross		
D404,996	S		2/1999	Ross		
6,158,095	A	*	12/2000	Lassiter	24/339
D467,790	S	*	12/2002	Roberts et al.	D8/356
D494,043	S	*	8/2004	Neil	D8/356
2002/0109050	A1		8/2002	Winton, III		
2003/0080261	A1		5/2003	Winton, III		

* cited by examiner

Primary Examiner—Holly H. Baynham

Assistant Examiner—Cynthia M. Chin

(74) *Attorney, Agent, or Firm*—Gregory J. Gore

(57) **CLAIM**

The ornamental design for a circuit board mounting bracket,
as shown and described.

DESCRIPTION

FIG. 1 is a front elevational view showing my new design
for a circuit board mounting bracket;

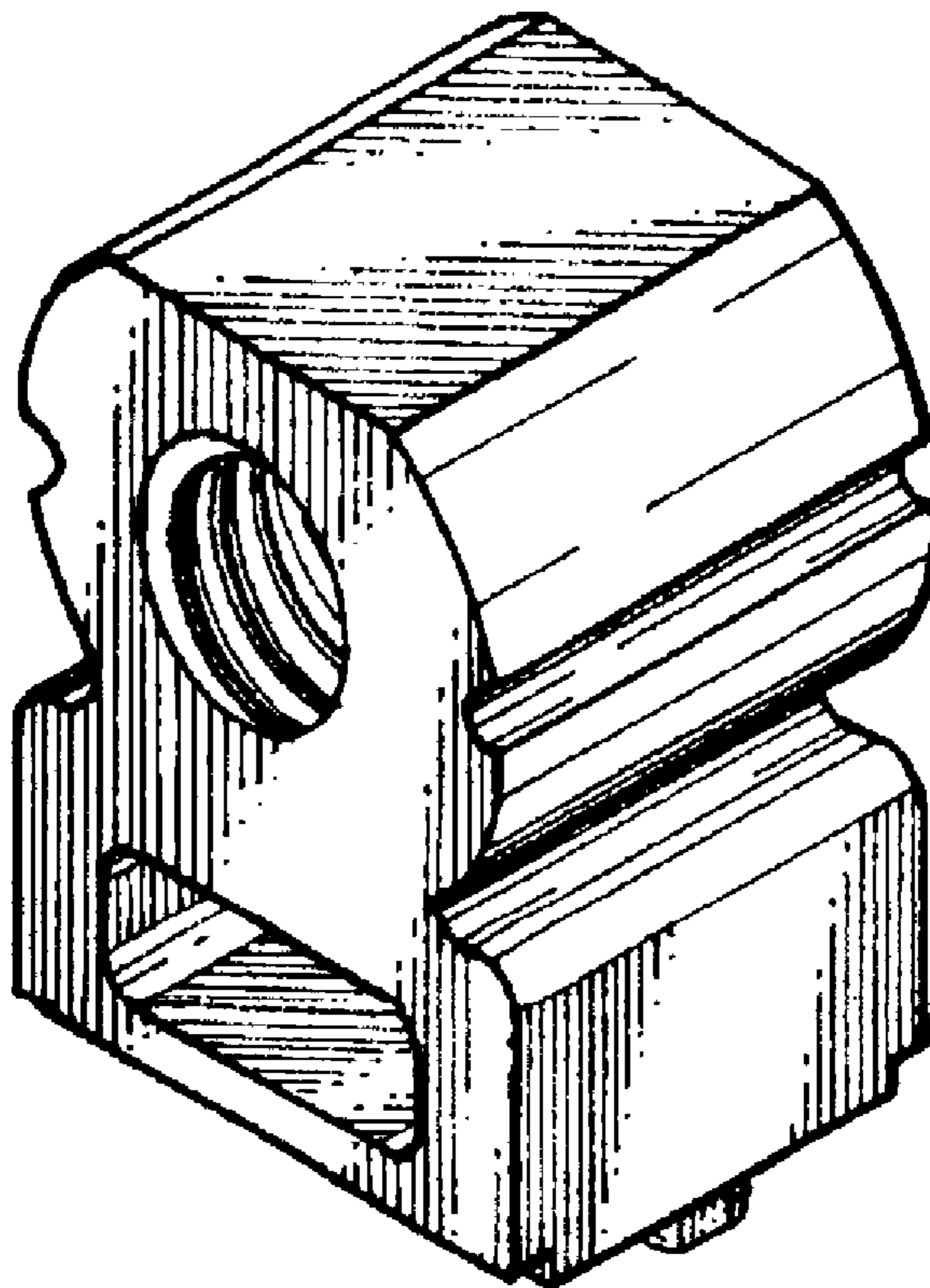
FIG. 2 is a side elevational view thereof;

FIG. 3 is a top plan view thereof;

FIG. 4 is a bottom plan view thereof; and,

FIG. 5 is a top right front perspective view thereof.

1 Claim, 1 Drawing Sheet



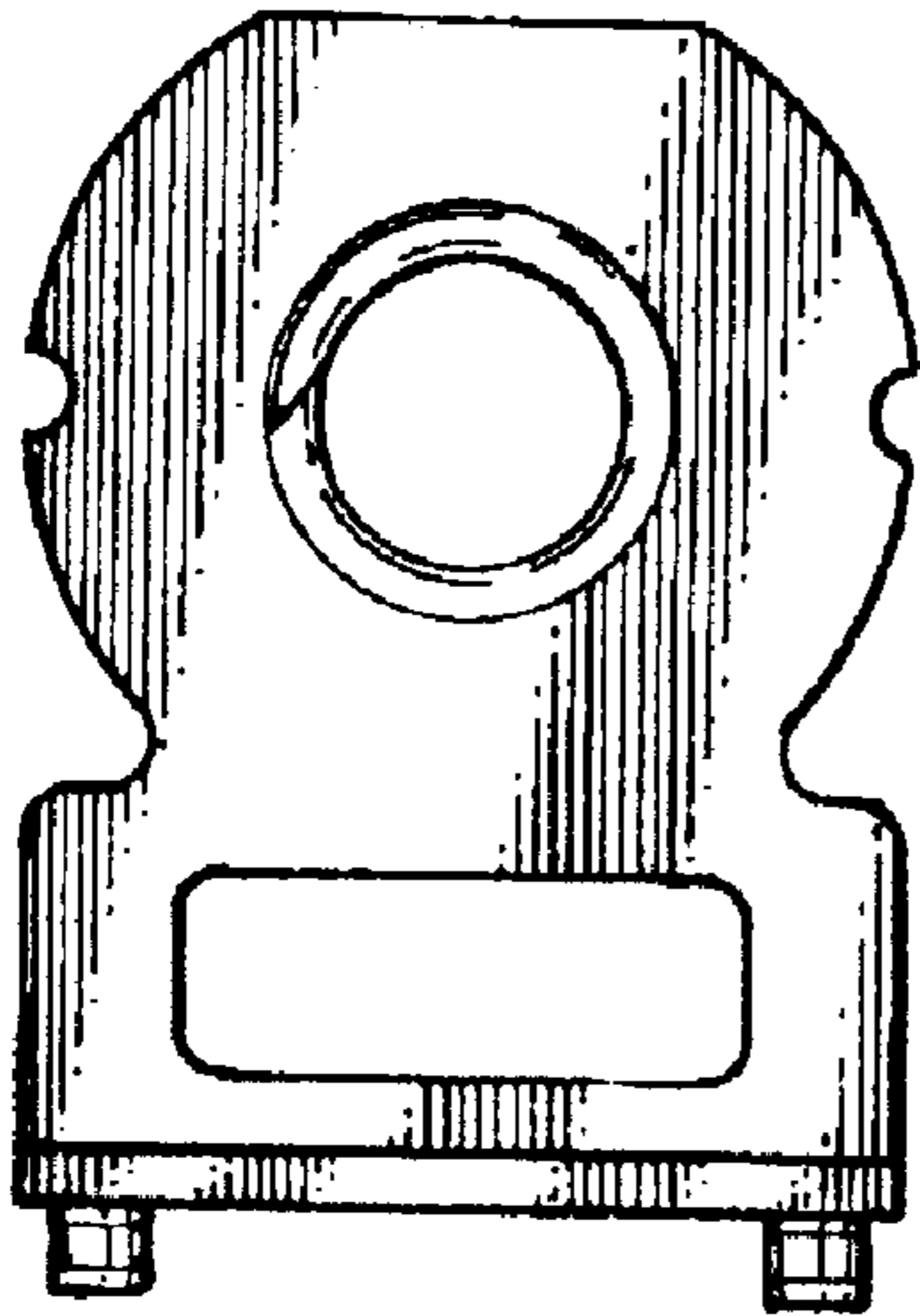


FIG. 1

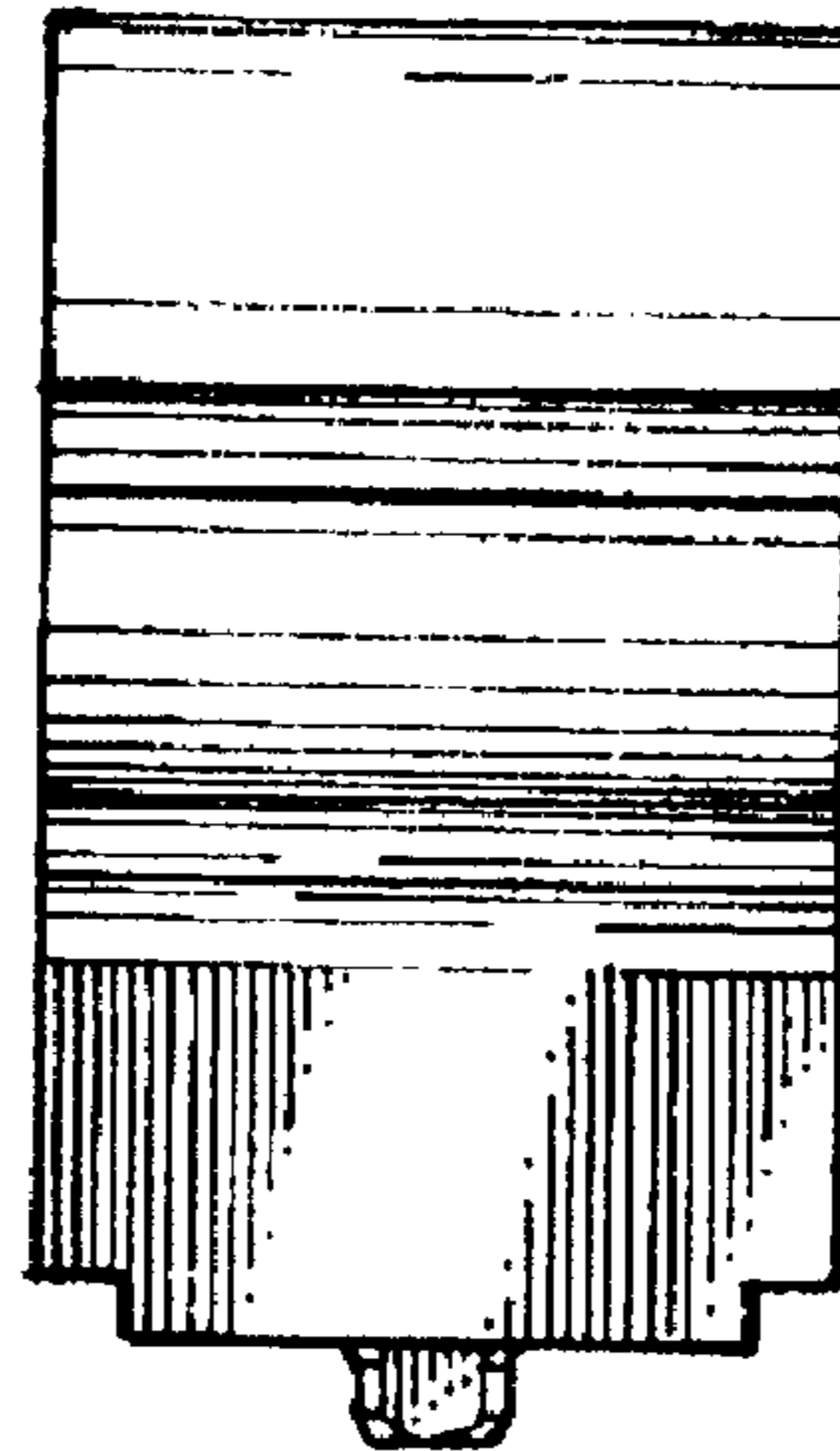


FIG. 2

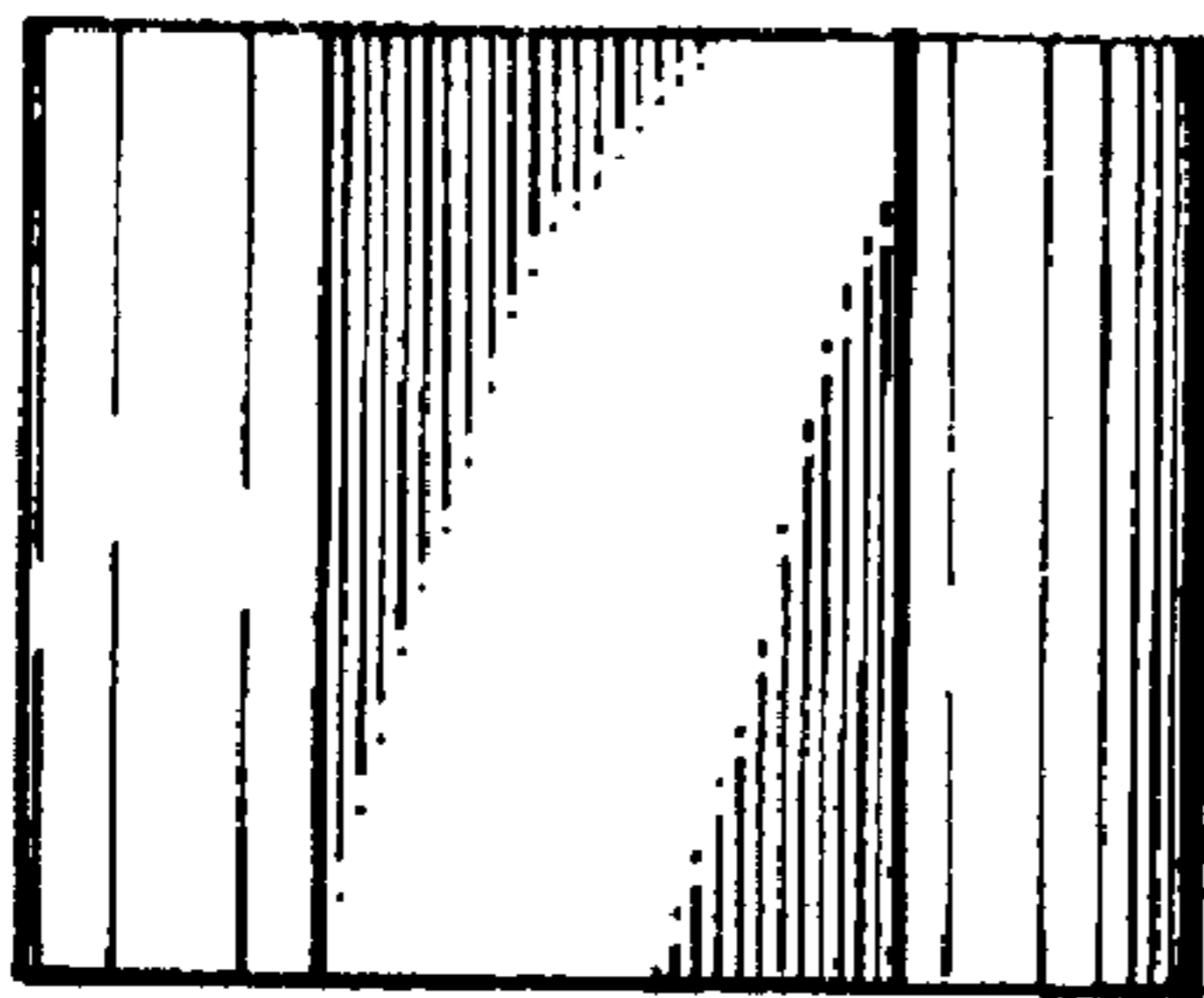


FIG. 3

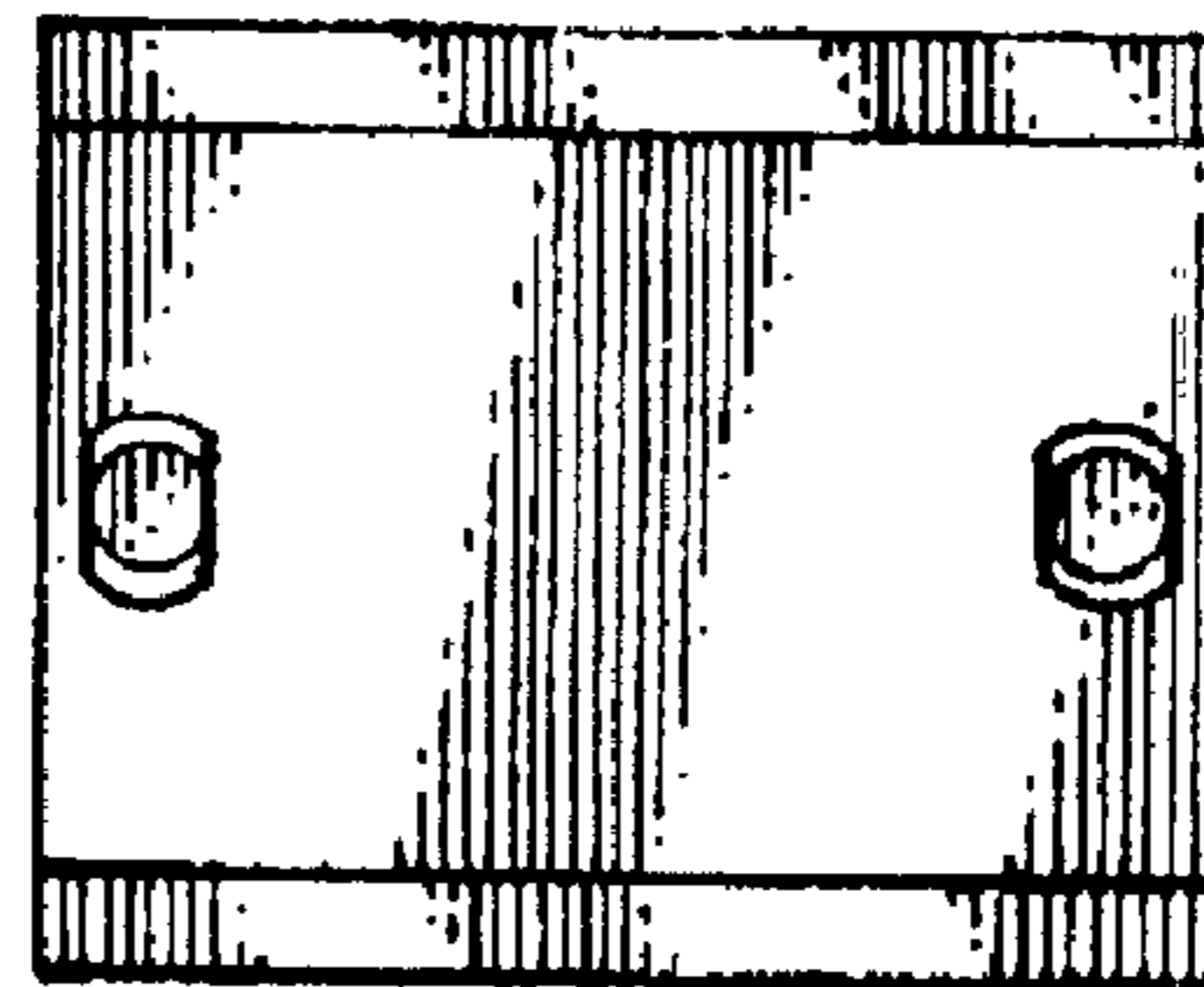


FIG. 4

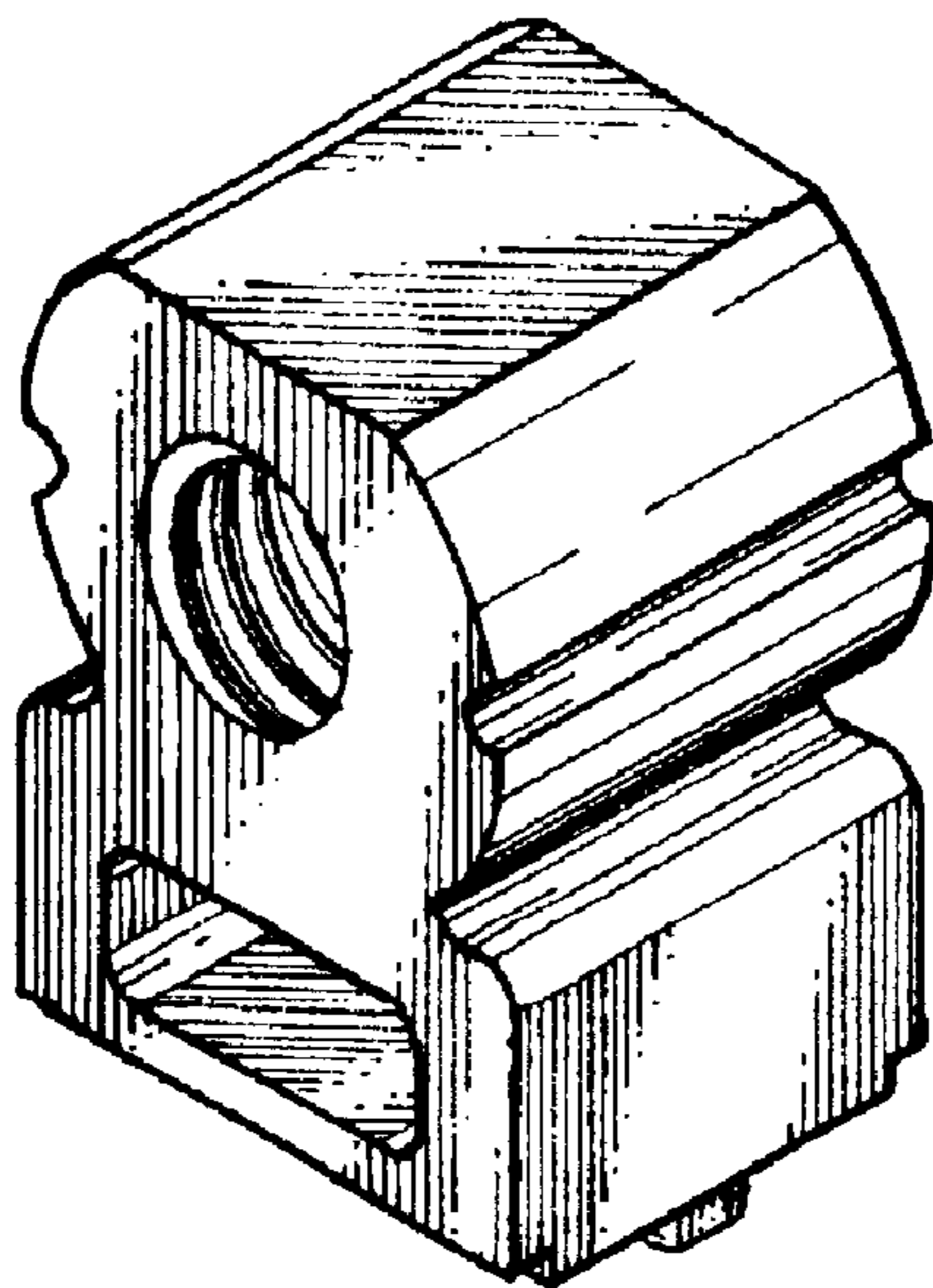


FIG. 5