



US00D531888S

(12) **United States Design Patent**
Barnes

(10) **Patent No.:** **US D531,888 S**

(45) **Date of Patent:** **** Nov. 14, 2006**

(54) **CONNECTOR WITH SLOTS TRANSVERSE TO THREADED SECTION**

(75) Inventor: **Steven R. Barnes**, Phoenix, AZ (US)

(73) Assignee: **Paramount Leisure Industries**, Tempe, AZ (US)

(**) Term: **14 Years**

(21) Appl. No.: **29/209,573**

(22) Filed: **Jul. 16, 2004**

(51) **LOC (8) Cl.** **08-08**

(52) **U.S. Cl.** **D8/382; D8/387**

(58) **Field of Classification Search** D8/349,
D8/382, 397, 399; 403/180, 287, 295, 296,
403/405.1

See application file for complete search history.

(56) **References Cited**

U.S. PATENT DOCUMENTS

149,373 A	4/1874	Clapp	
1,584,453 A	5/1926	Hess	
1,792,345 A	2/1931	Williams	
2,003,770 A	6/1935	Goodhart	182/31
2,695,073 A	11/1954	Sisk	182/31
2,695,678 A	11/1954	Sisk	182/31
2,749,999 A	6/1956	Schmid	182/31
2,777,532 A	1/1957	Sisk	182/31
D208,428 S	* 8/1967	Holliday	D8/397
3,378,858 A	4/1968	Jacuzzi	4/172
3,703,302 A	11/1972	Demler	285/161

4,276,163 A	6/1981	Gordon	210/136
4,391,005 A	7/1983	Goettl	4/490
4,505,814 A	3/1985	Marshall	210/166
4,561,134 A	12/1985	Mathews	4/496
4,910,811 A	3/1990	Izzi, Sr.	4/292
4,939,797 A	7/1990	Goettl	4/490
D324,648 S	* 3/1992	Hebert, Sr.	D8/382
5,408,706 A	4/1995	Barnes	4/507
D369,958 S	* 5/1996	Huang et al.	D8/387
D383,378 S	* 9/1997	Schrader et al.	D8/382
D425,782 S	* 5/2000	Sato et al.	D8/382
D430,482 S	* 9/2000	Stout, Jr.	D8/382
D464,253 S	* 10/2002	Nimberger et al.	D8/387
D484,036 S	* 12/2003	Koch	D8/397
6,726,395 B1	* 4/2004	Yu	403/296

* cited by examiner

Primary Examiner—Holly H. Baynham

Assistant Examiner—Cynthia M. Chin

(74) *Attorney, Agent, or Firm*—Cahill, von Hellens & Glazer P.L.C.

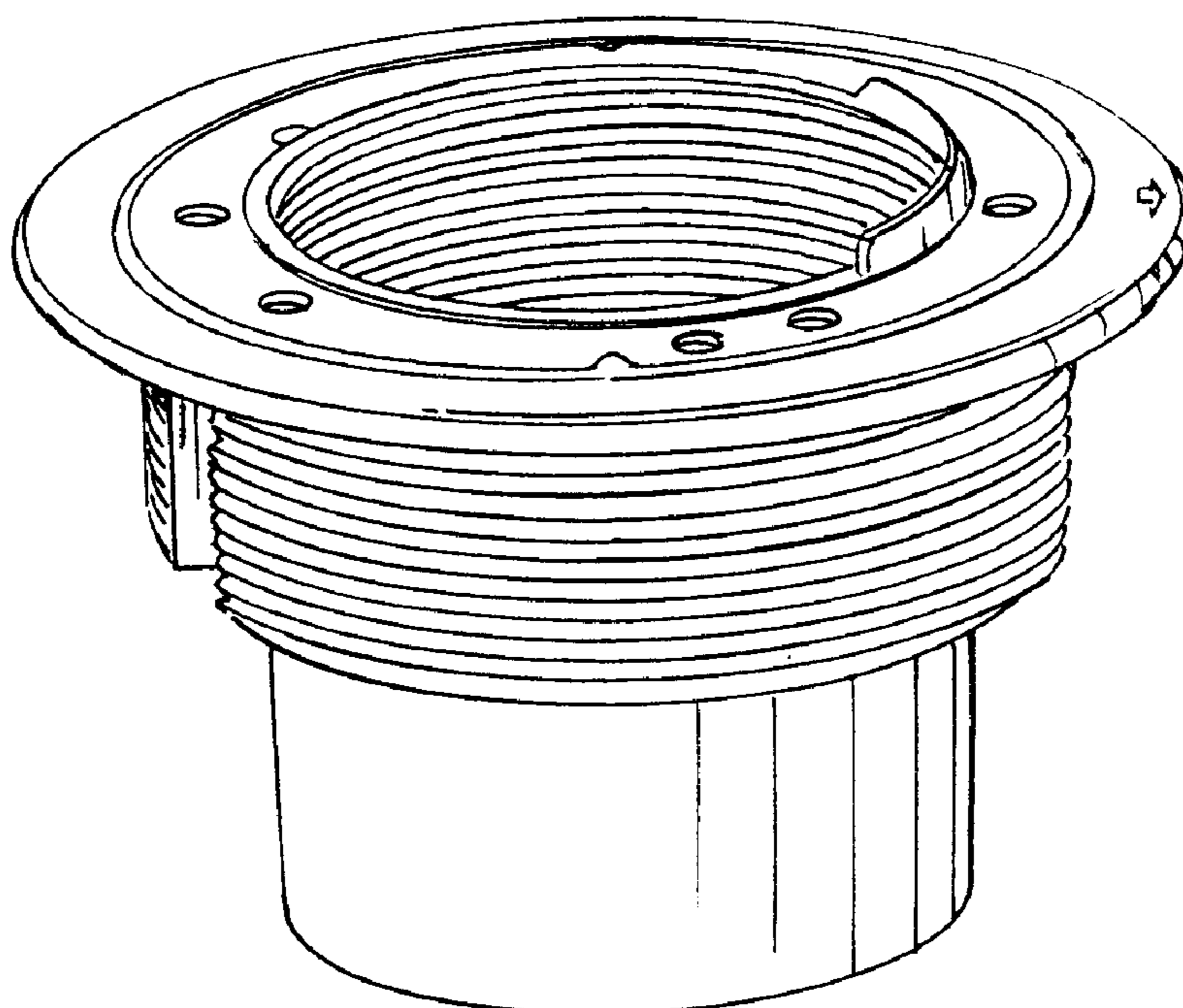
(57) **CLAIM**

An ornamental design for a connector with slots transverse to threaded section, as shown and described.

DESCRIPTION

FIG. 1 is a rear, left, top perspective view of a connector with slots transverse to threaded section showing my new design; FIG. 2 is a top view thereof; FIG. 3 is a front elevational view thereof; and, FIG. 4 is a bottom view thereof.

1 Claim, 1 Drawing Sheet



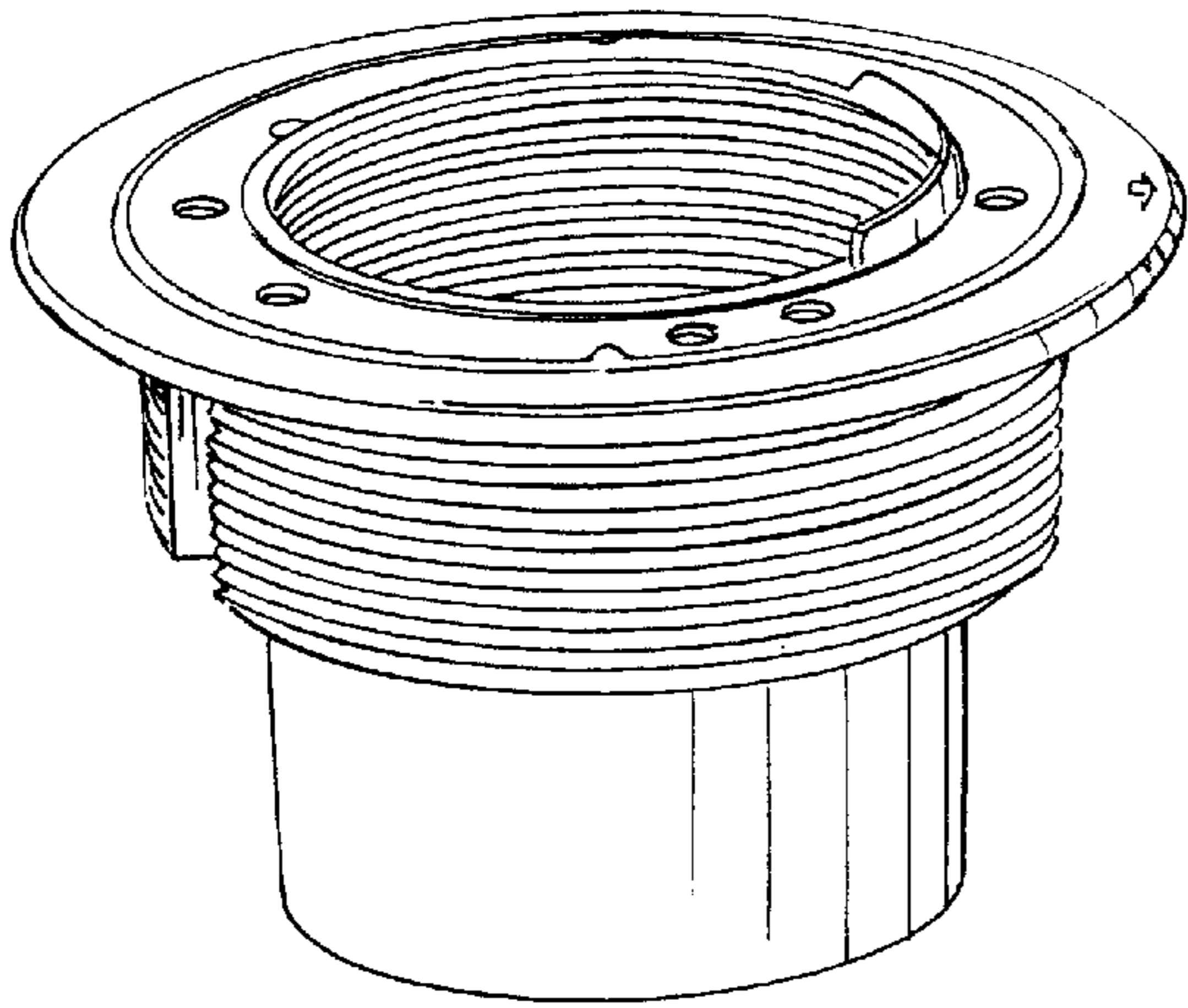


FIG. 1

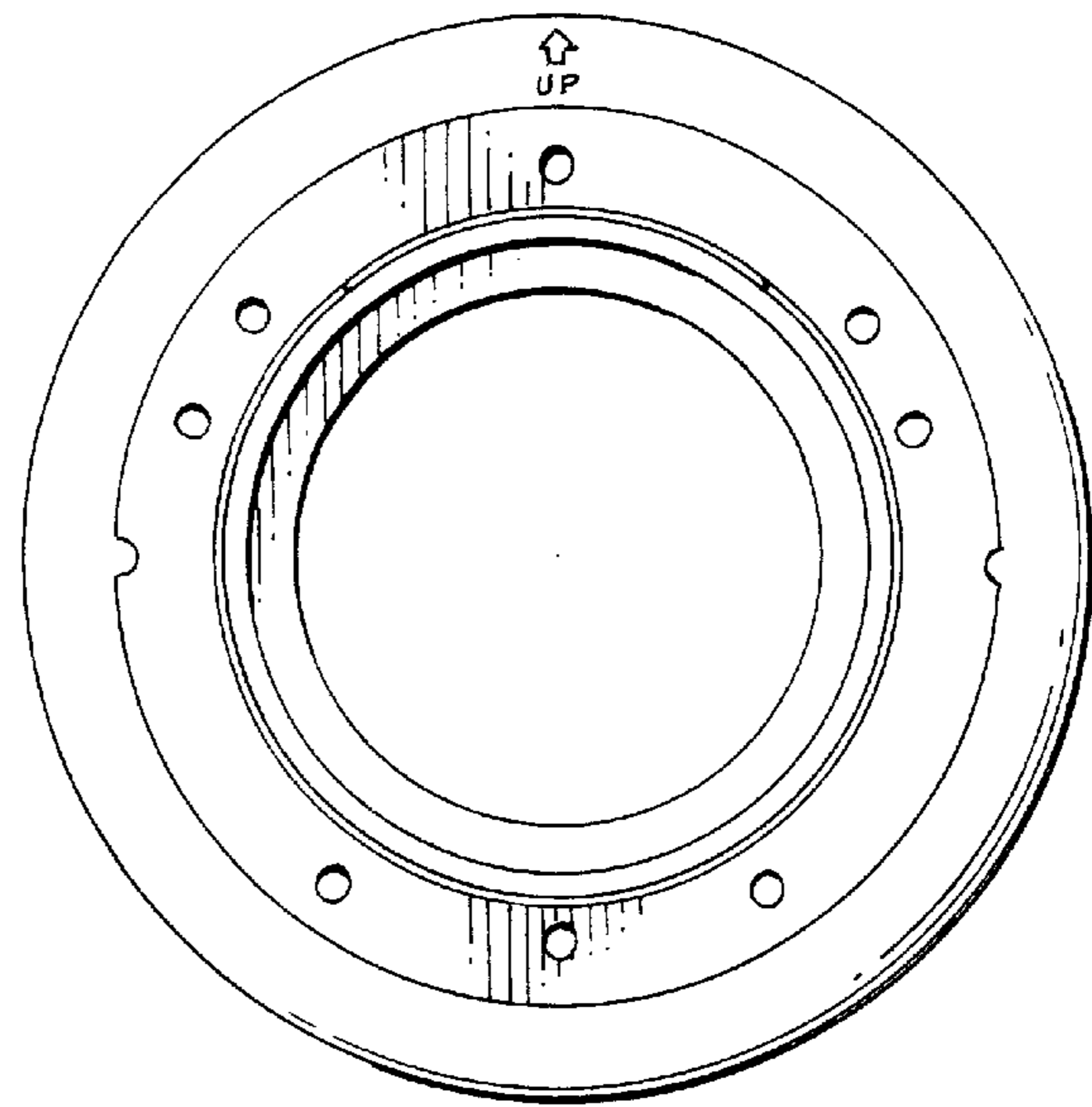


FIG. 2

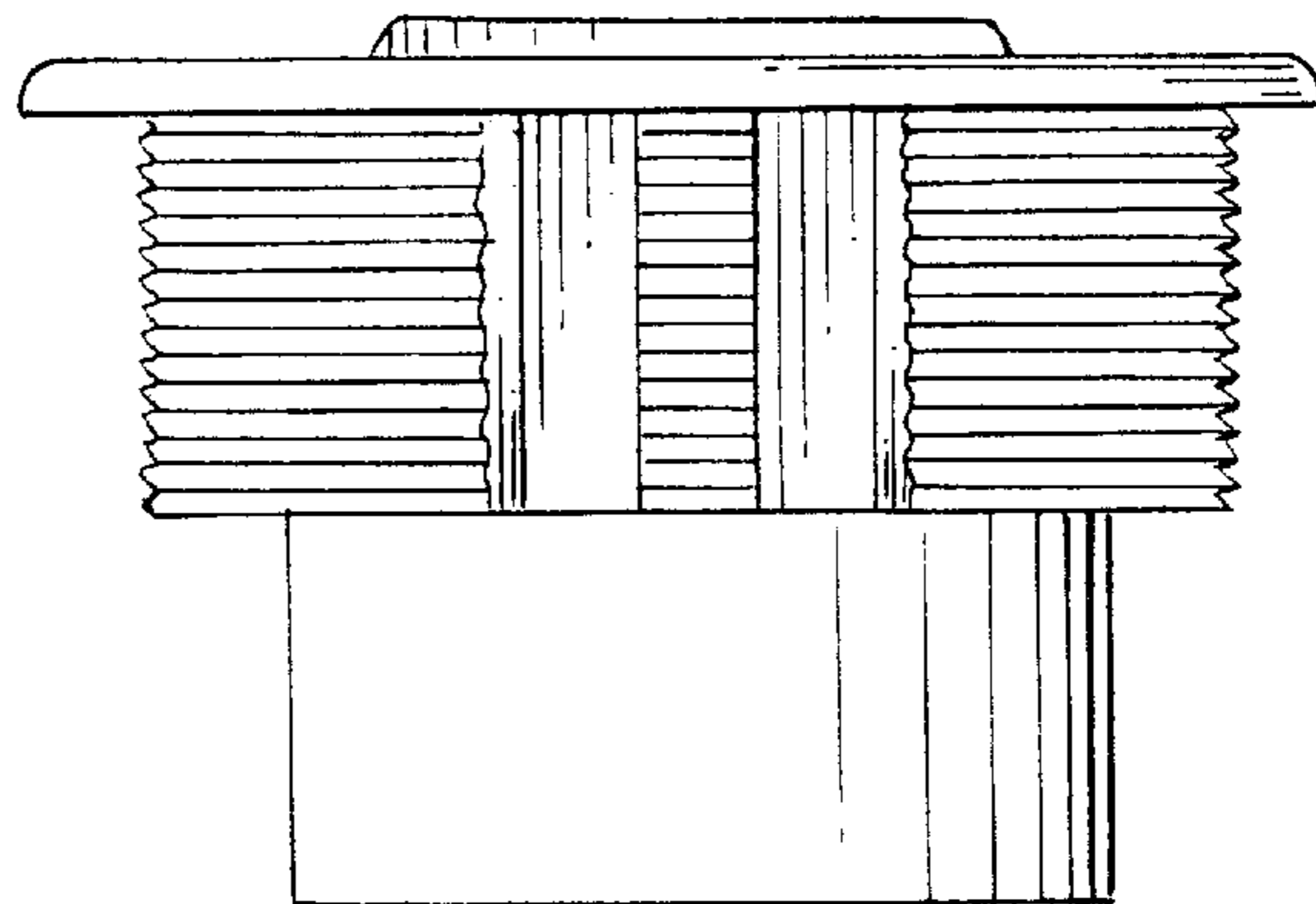


FIG. 3

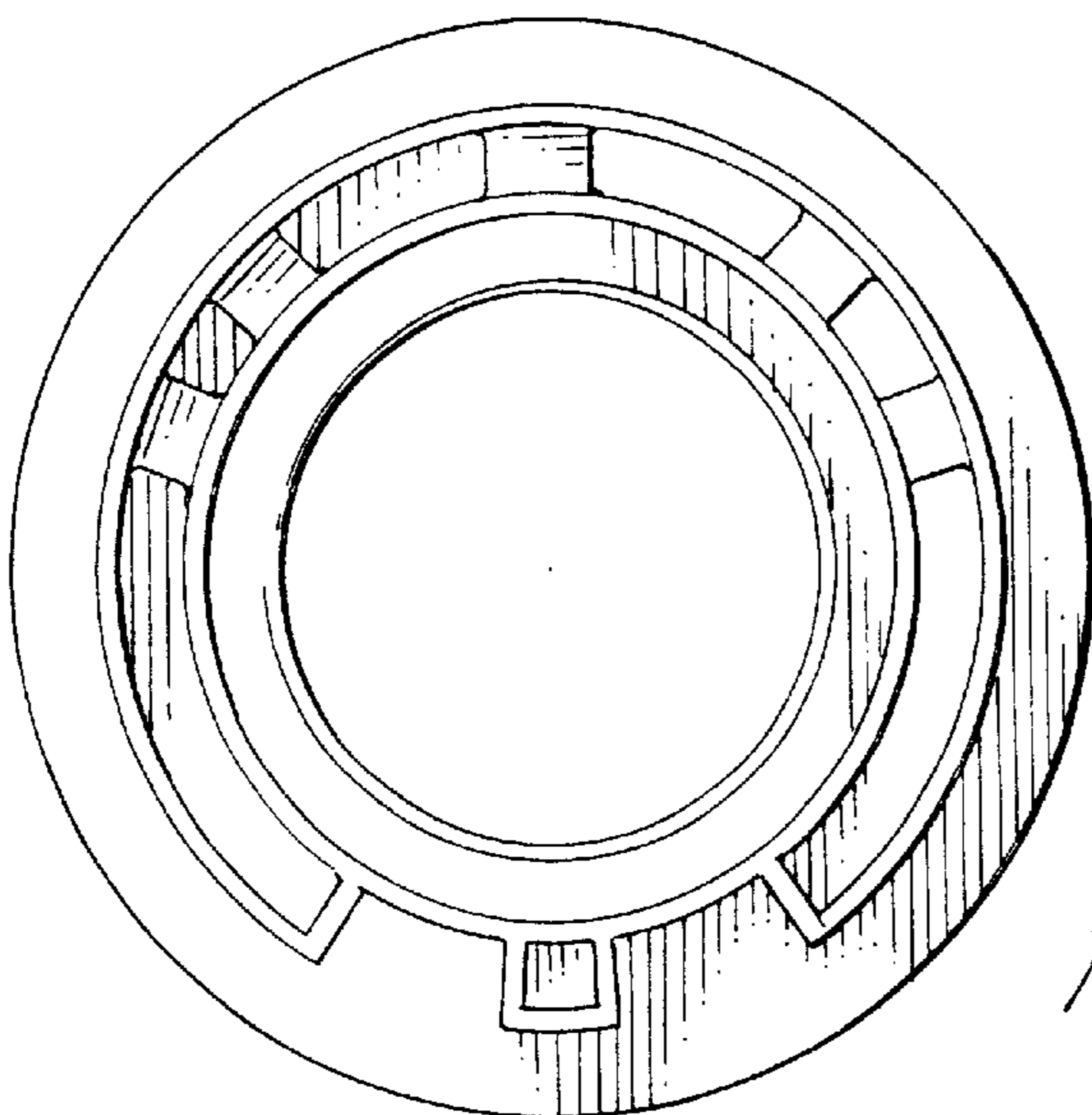


FIG. 4