

US00D531887S

(12) **United States Design Patent**
Rimer, Jr.

(10) **Patent No.:** **US D531,887 S**

(45) **Date of Patent:** **** Nov. 14, 2006**

(54) **TENSIONER WITH TEETH**

(76) **Inventor:** **Elmer C. Rimer, Jr.**, 2907 29th Ave.,
Bradenton, FL (US) 34208

(**) **Term:** **14 Years**

(21) **Appl. No.:** **29/209,415**

(22) **Filed:** **Jul. 15, 2004**

(51) **LOC (8) Cl.** **08-08**

(52) **U.S. Cl.** **D8/382**

(58) **Field of Classification Search** D8/349,
D8/356, 382, 383, 388, 389, 394; 24/16,
24/115 R, 115 G, 129 R

See application file for complete search history.

(56) **References Cited**

U.S. PATENT DOCUMENTS

- 3,257,767 A * 6/1966 Lassy 52/649.8
- D243,062 S * 1/1977 Malloy D8/382
- D280,595 S * 9/1985 Wilk D8/354
- D336,284 S * 6/1993 Pruett et al. D13/154

- D512,301 S * 12/2005 Byers D8/382
- D512,905 S * 12/2005 Byers D8/382
- D513,170 S * 12/2005 Byers D8/382

* cited by examiner

Primary Examiner—Holly H. Baynham

Assistant Examiner—Cynthia M. Chin

(74) *Attorney, Agent, or Firm*—Dorothy S. Morse

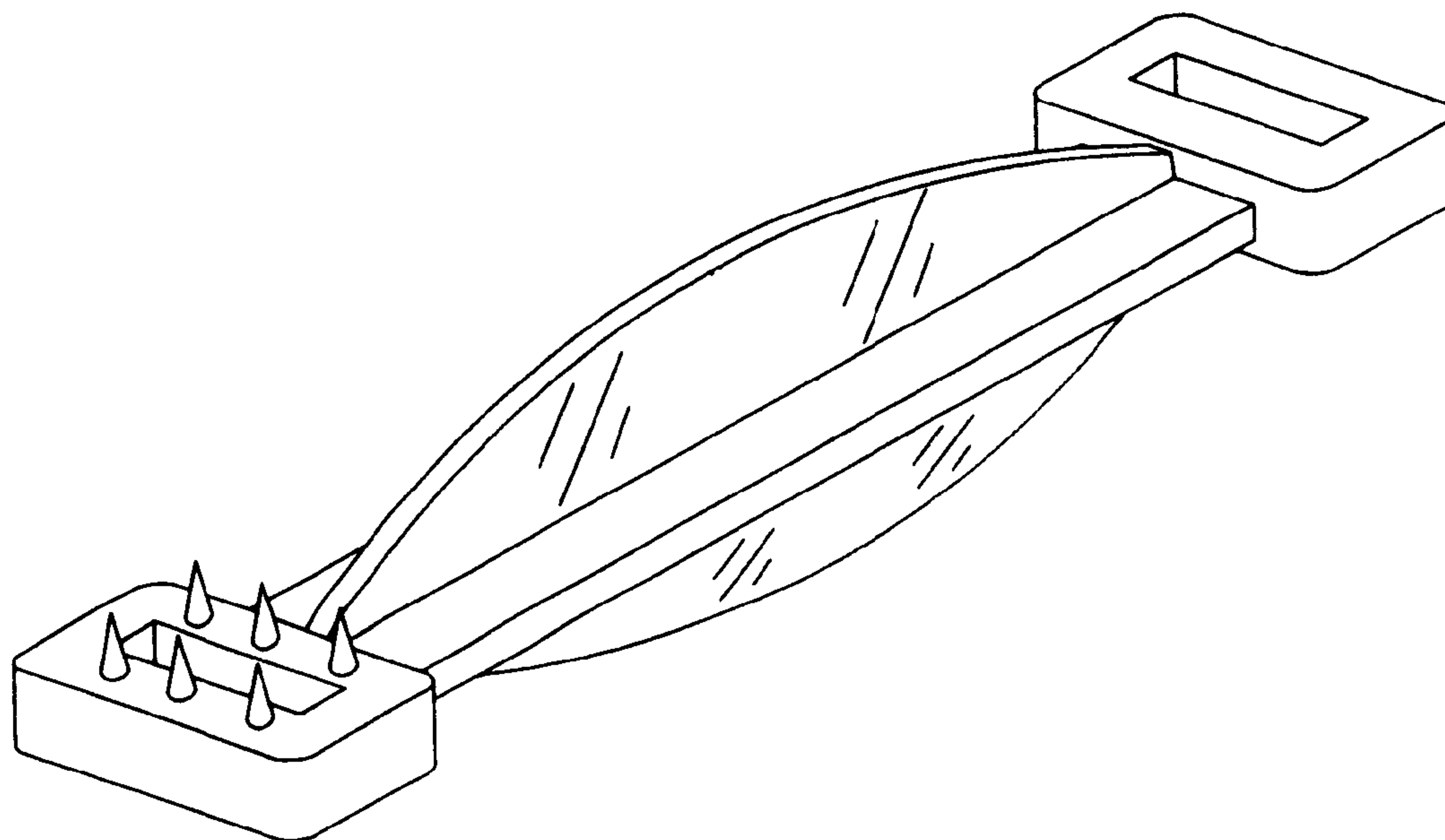
(57) **CLAIM**

The ornamental design for a tensioner with teeth, as shown and described herein.

DESCRIPTION

- FIG. 1 is a front view of the present invention.
- FIG. 2 is a back view of the present invention.
- FIG. 3 is a top end view of the present invention.
- FIG. 4 is a bottom end view of the present invention.
- FIG. 5 is a left side view of the present invention.
- FIG. 6 is a right side view of the present invention; and,
- FIG. 7 is a perspective view of the present invention.

1 Claim, 2 Drawing Sheets



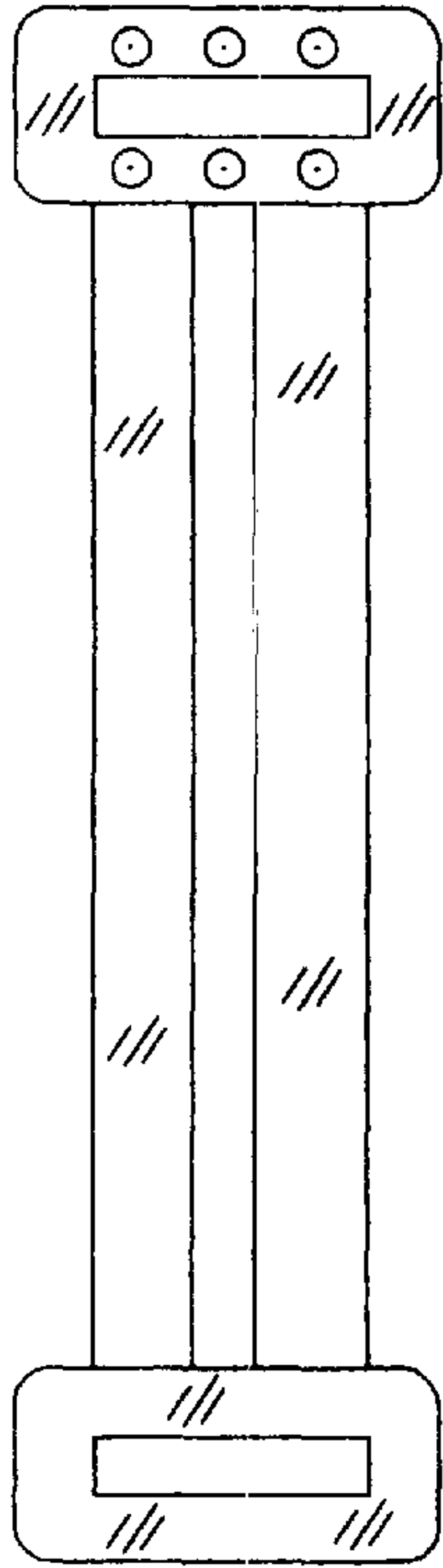


Fig. 1

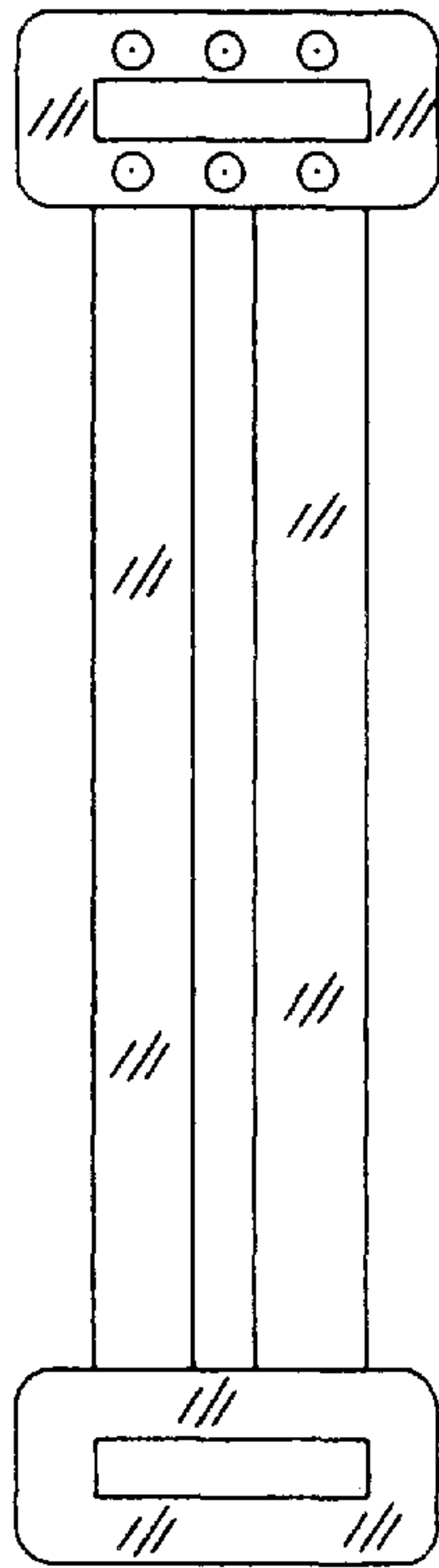


Fig. 2

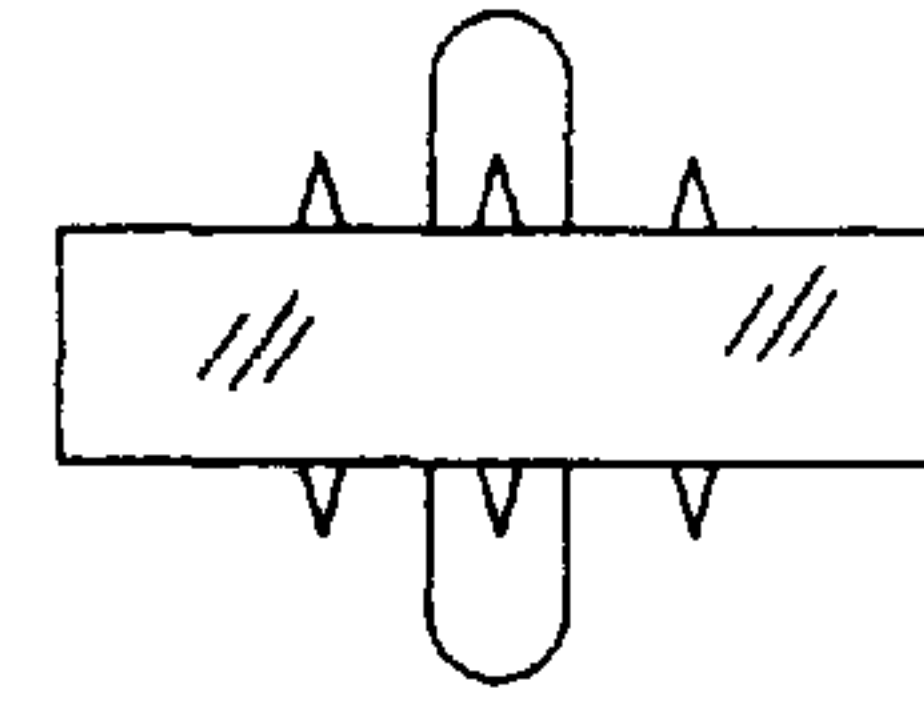


Fig. 3

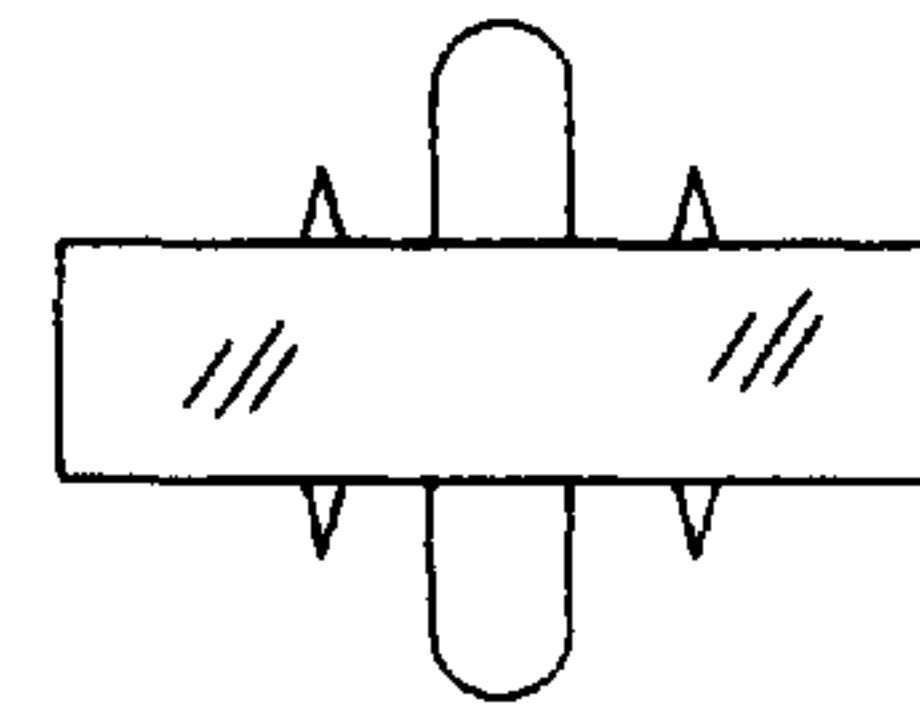


Fig. 4

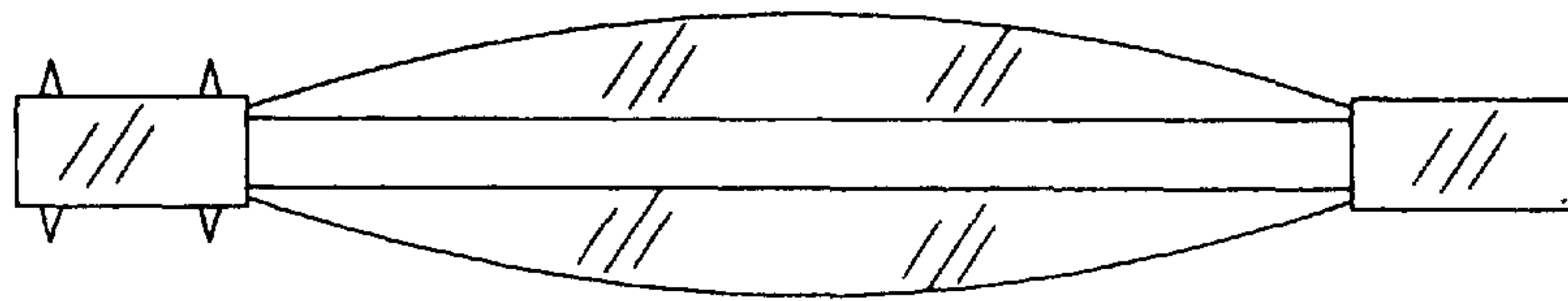


Fig. 5

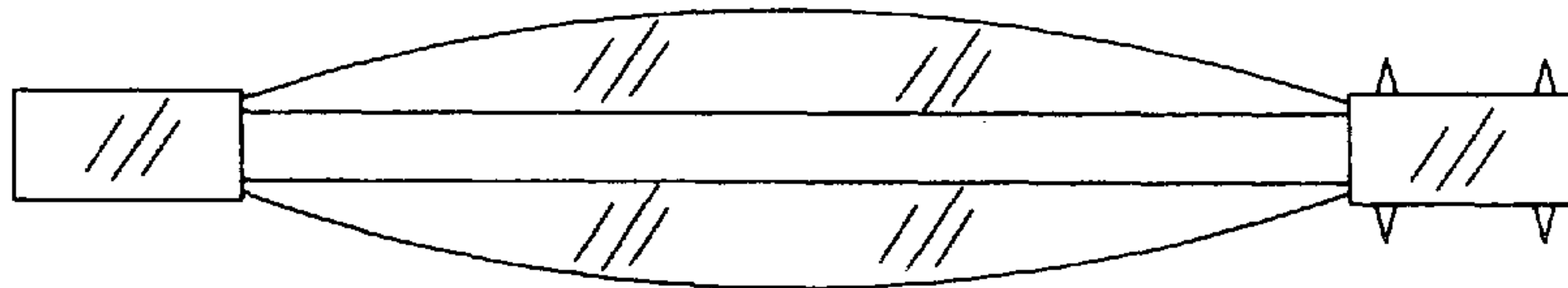


Fig. 6

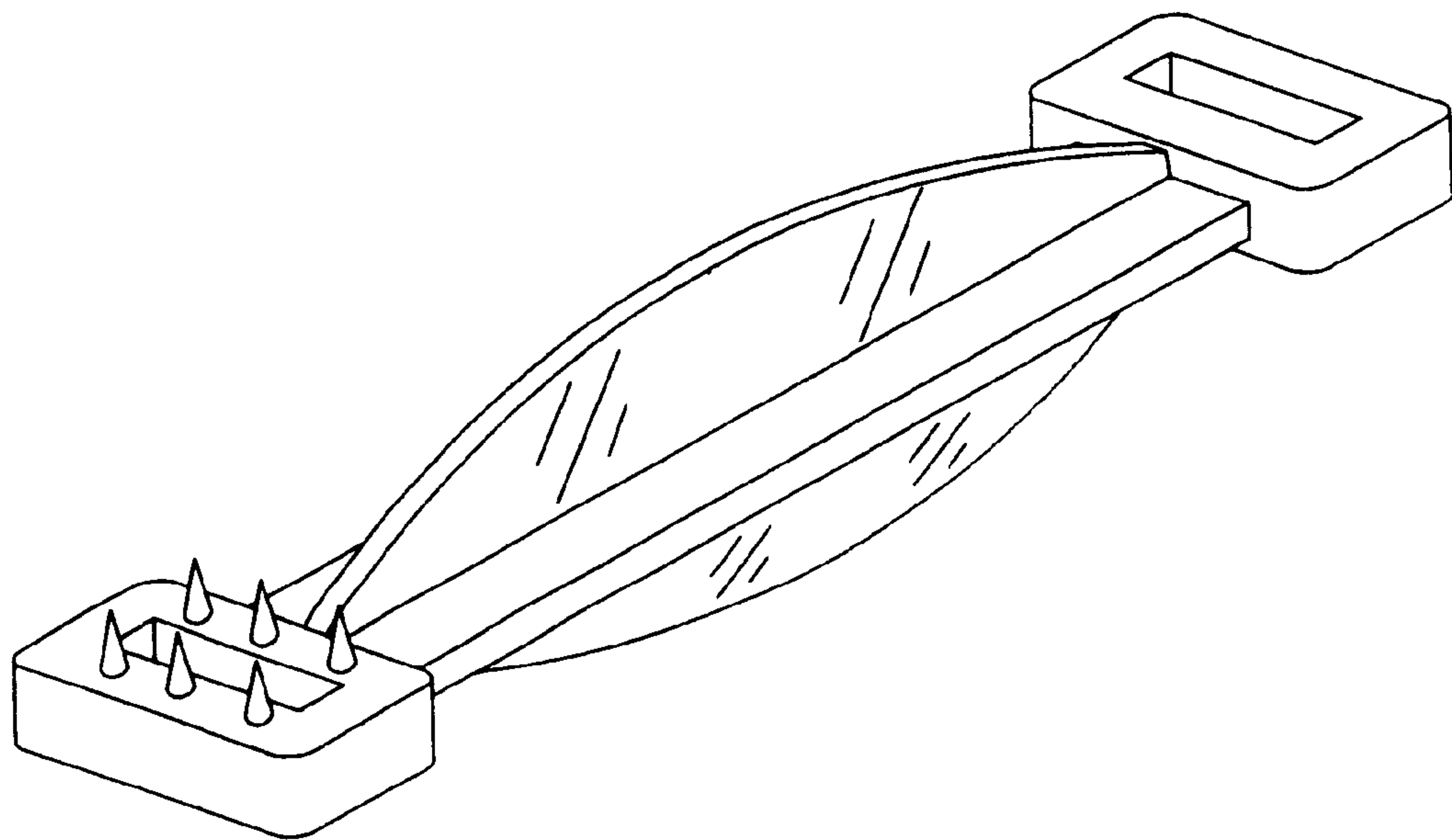


Fig. 7