



US00D531886S

(12) **United States Design Patent**
Harju

(10) **Patent No.:** **US D531,886 S**

(45) **Date of Patent:** **** Nov. 14, 2006**

(54) **LOWER PART OF FASTENER DEVICE**

(75) **Inventor:** **Jonne Harju, Kempele (FI)**

(73) **Assignee:** **Polar Electro Oy, Kempele (FI)**

(**) **Term:** **14 Years**

(21) **Appl. No.:** **29/209,305**

(22) **Filed:** **Jul. 14, 2004**

(30) **Foreign Application Priority Data**

Jan. 30, 2004 (FI) M20040008

(51) **LOC (8) Cl.** **08-08**

(52) **U.S. Cl.** **D8/382**

(58) **Field of Classification Search** D8/349,
D8/382, 394, 395; D11/200, 201, 230; 24/323,
24/591.1, 616, 632, 634, 635, 639, 650, 664
See application file for complete search history.

(56) **References Cited**

U.S. PATENT DOCUMENTS

D161,175 S * 12/1950 Halio D11/201
D252,957 S * 9/1979 Frost D11/200
4,425,689 A * 1/1984 Fildan 24/664
D279,423 S * 7/1985 Zucker D11/200

4,688,337 A * 8/1987 Dillner et al. 24/616
4,962,572 A * 10/1990 Prentkowski 24/323
D355,354 S * 2/1995 Sterling D8/382
5,507,464 A * 4/1996 Hamerski et al. 248/683
D453,676 S * 2/2002 Pliml, Jr. D8/349

* cited by examiner

Primary Examiner—Holly H. Baynham

Assistant Examiner—Cynthia M. Chin

(74) *Attorney, Agent, or Firm*—Hoffmann & Baron, LLP

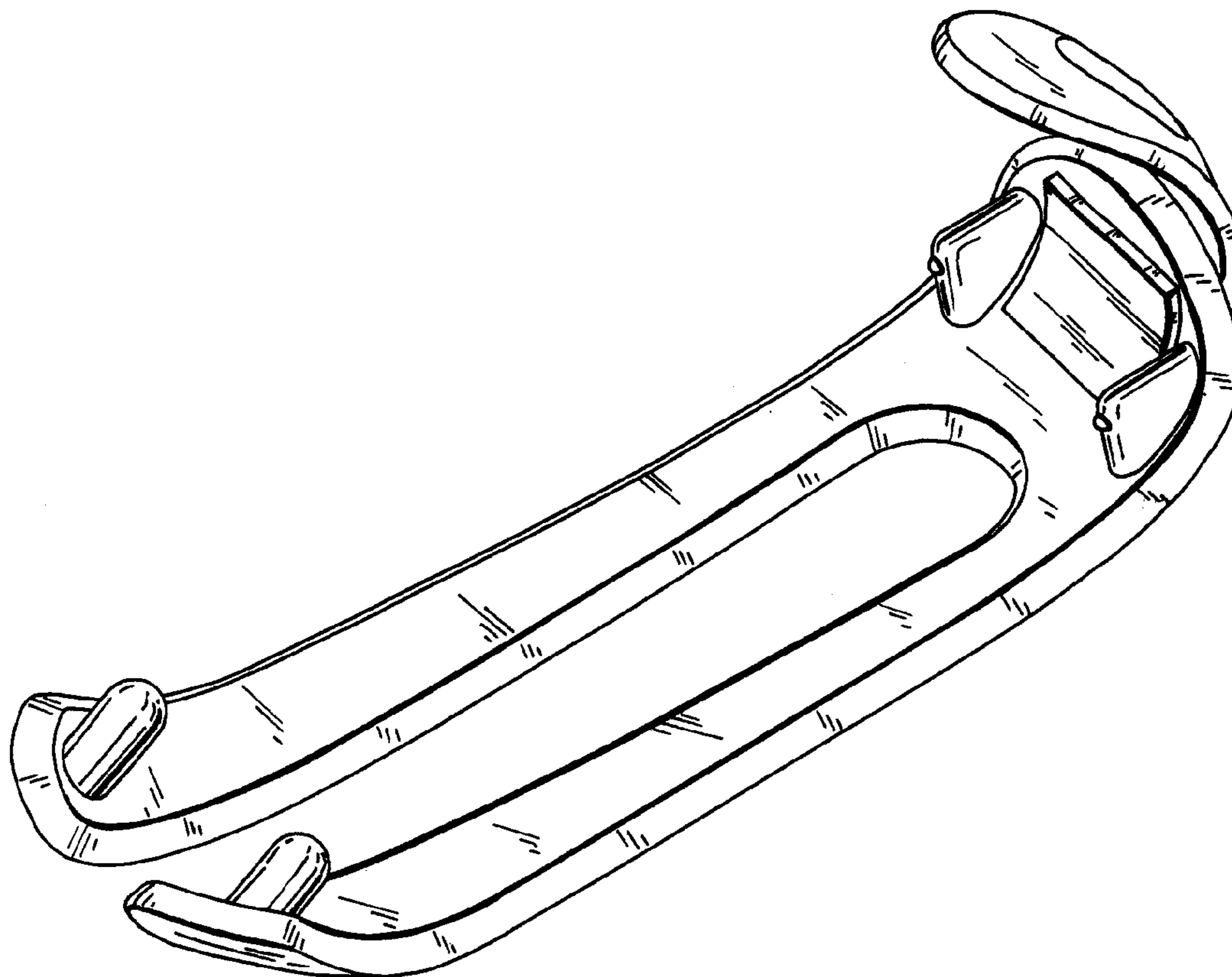
(57) **CLAIM**

The ornamental design for a lower part of fastener device, as shown and described.

DESCRIPTION

FIG. 1 is a top perspective view of a lower part of fastener device showing my new design;
FIG. 2 is a bottom perspective view thereof;
FIG. 3 is a right side elevation view thereof, the opposite left side being a mirror image thereof;
FIG. 4 is a top plan view thereof;
FIG. 5 is a bottom plan view thereof;
FIG. 6 is a front elevation view thereof; and,
FIG. 7 is a rear elevation view thereof.

1 Claim, 3 Drawing Sheets



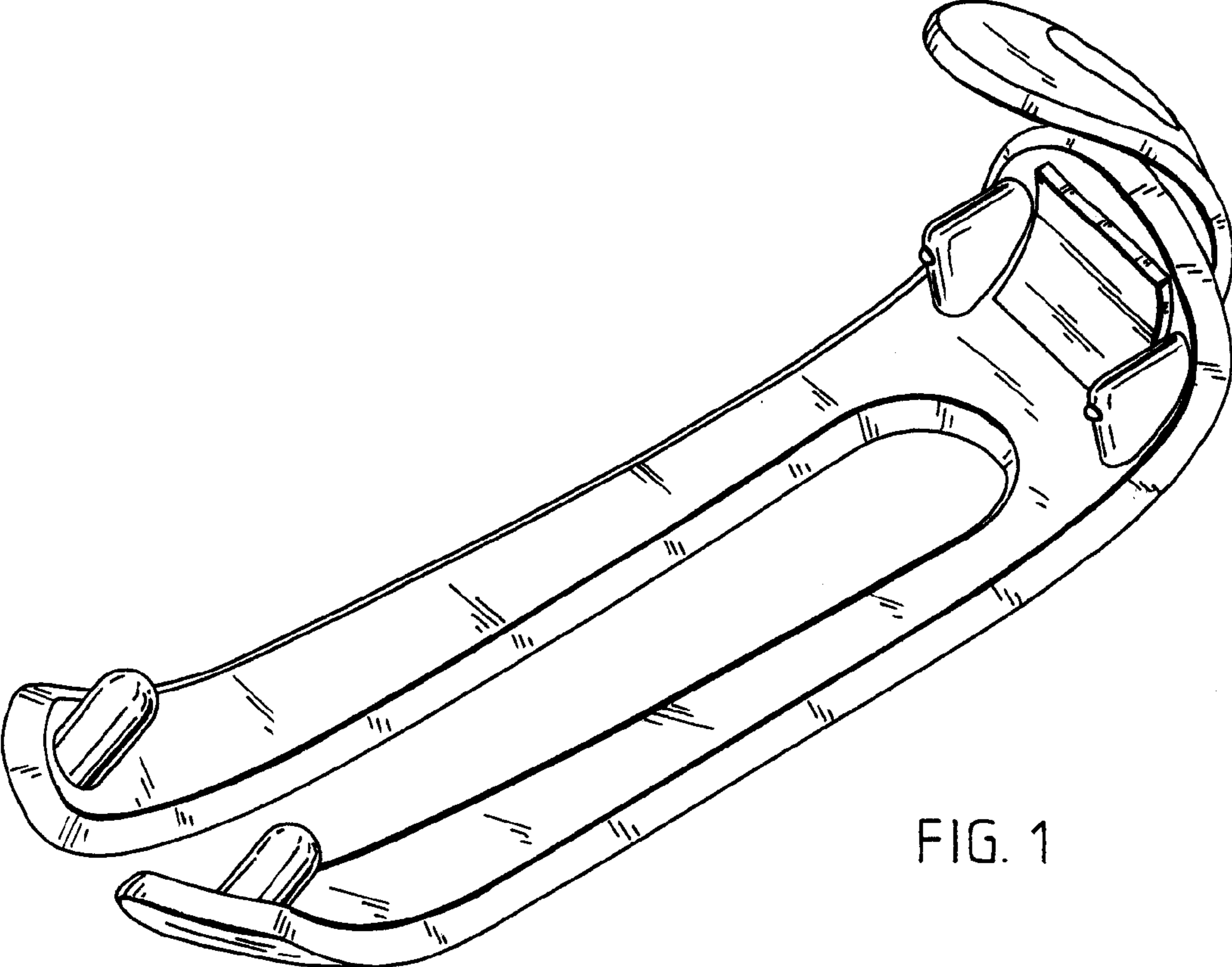


FIG. 1

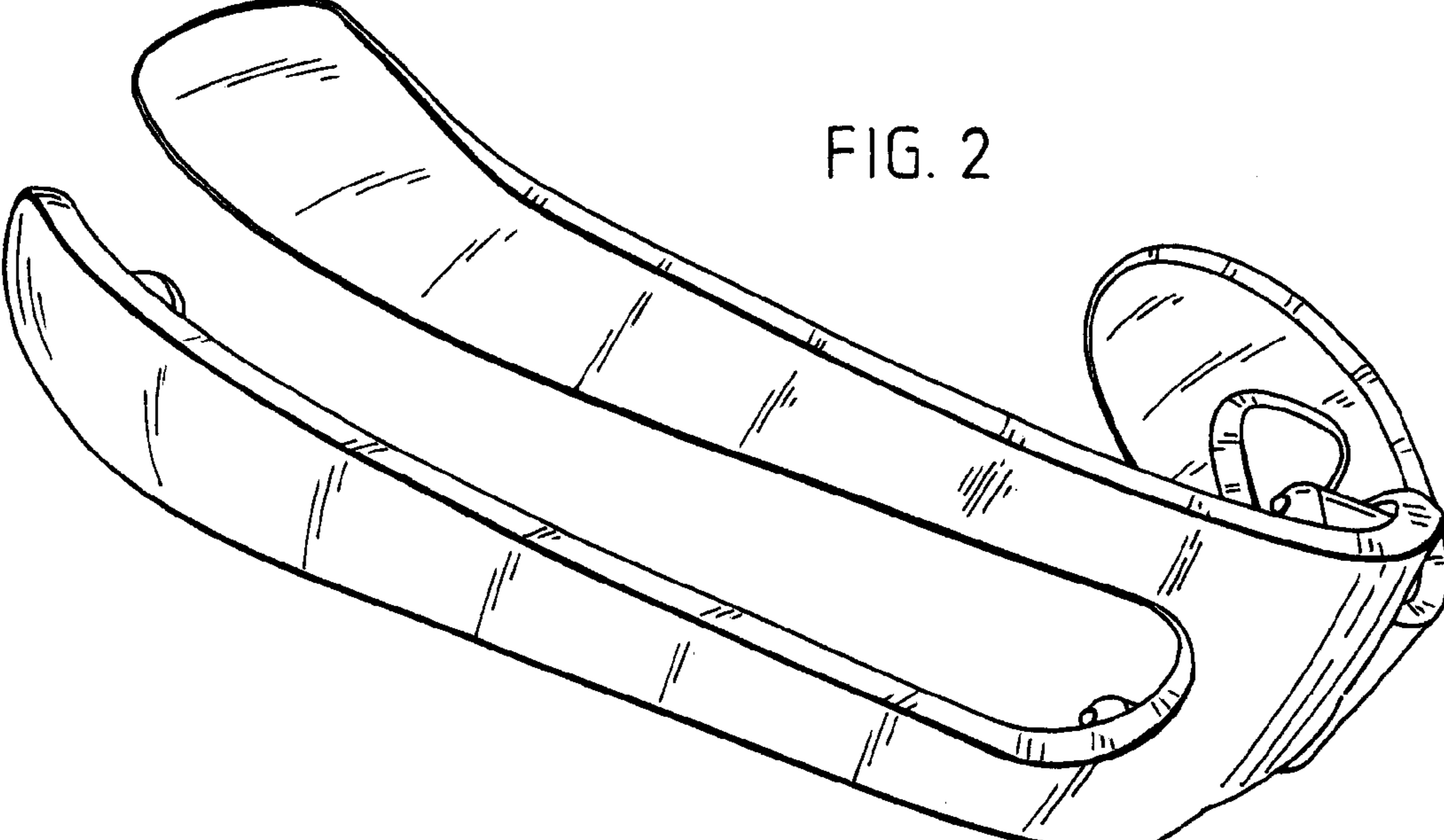
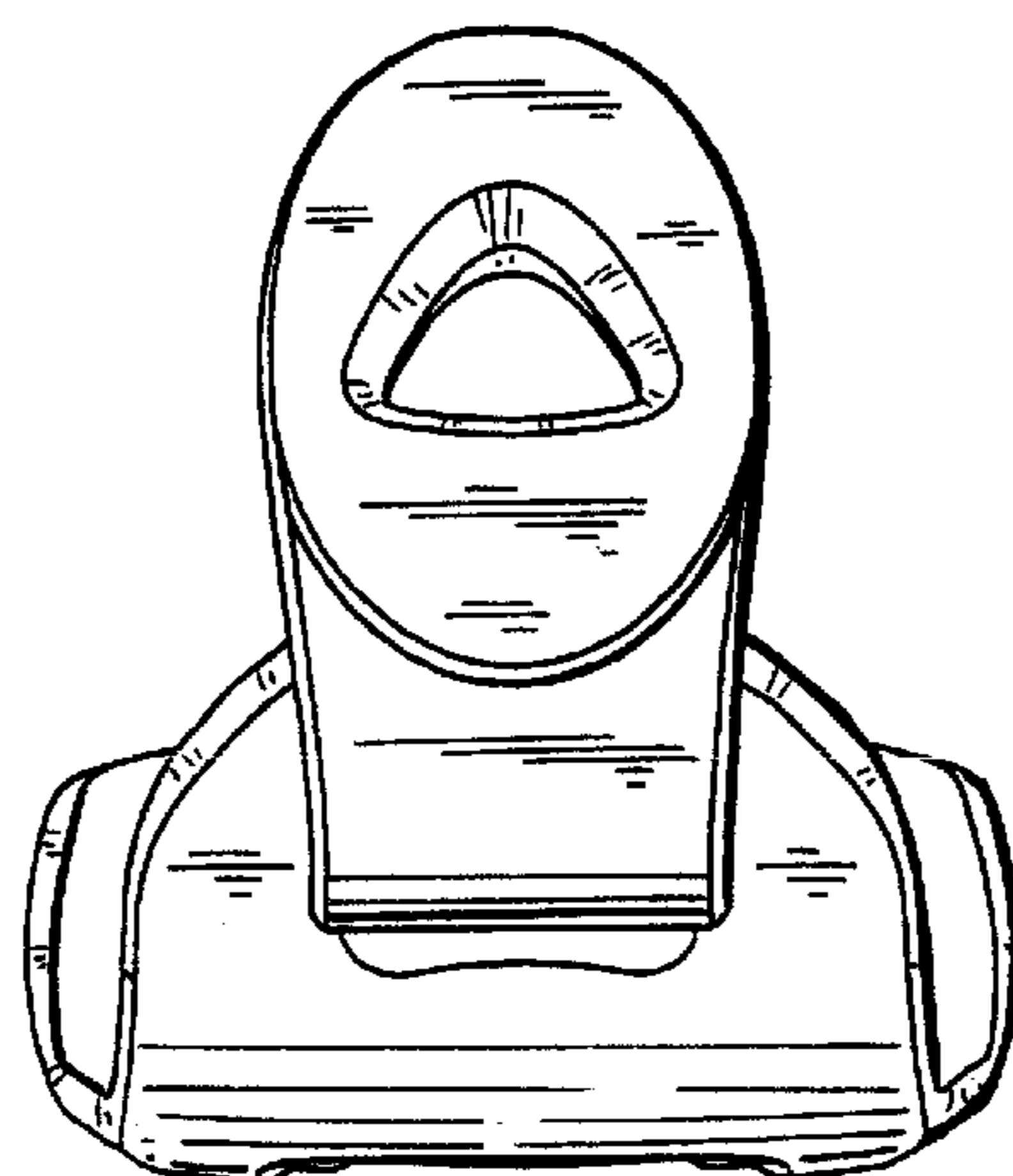
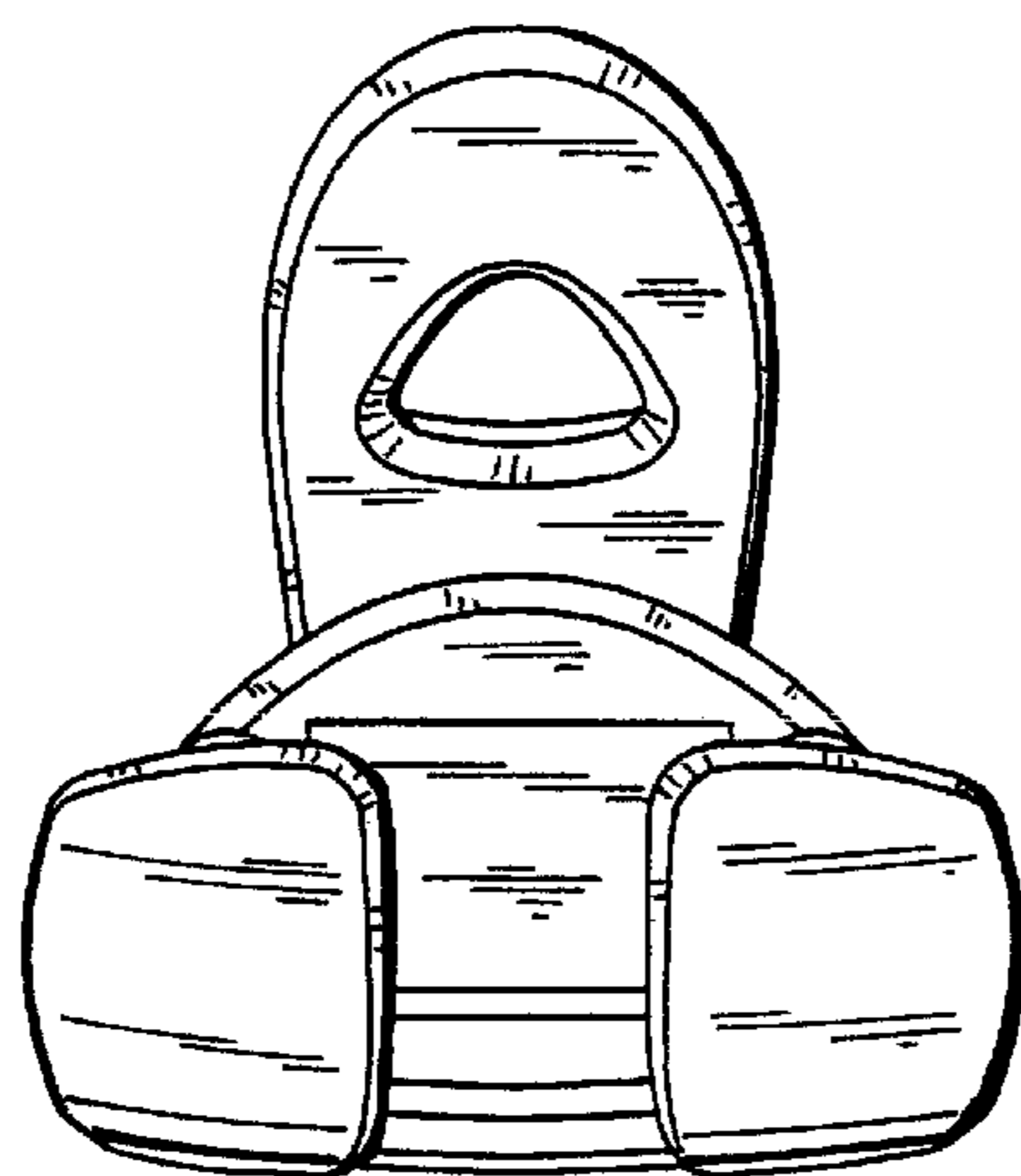
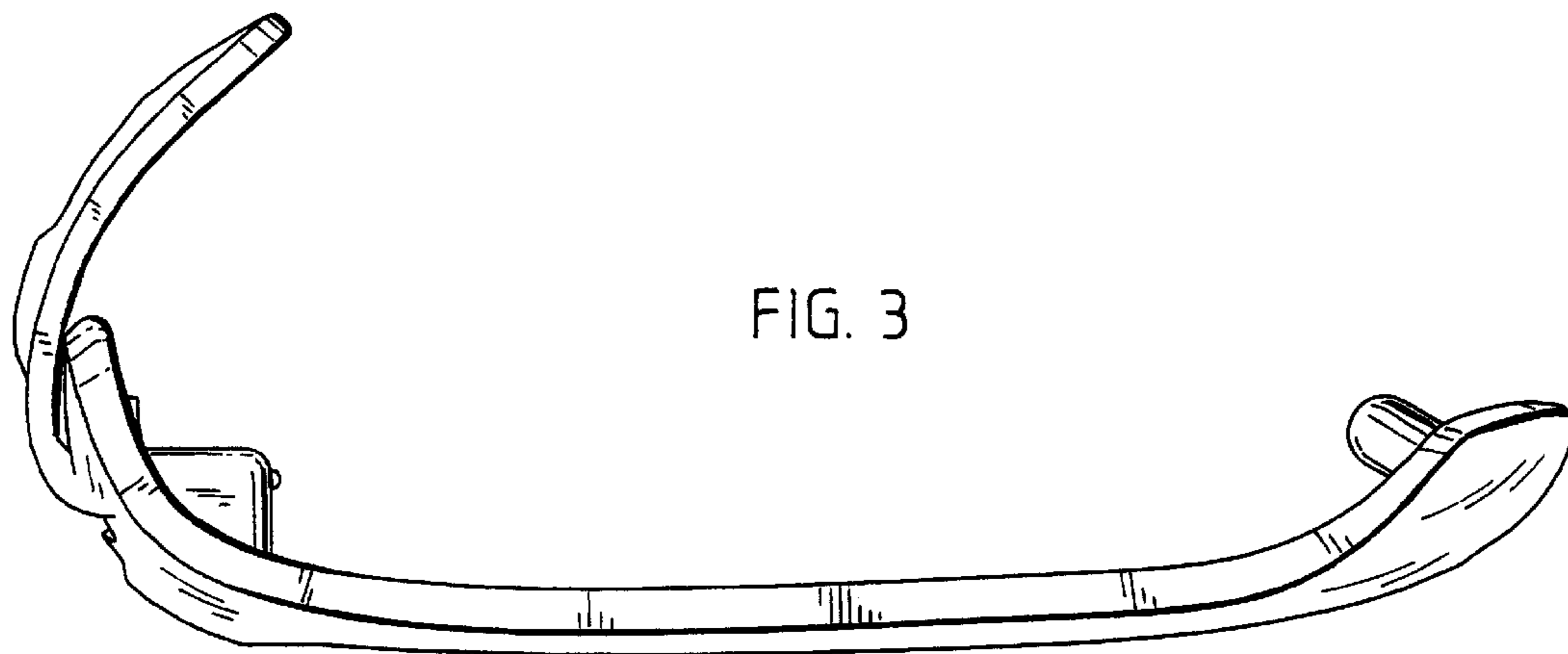


FIG. 2



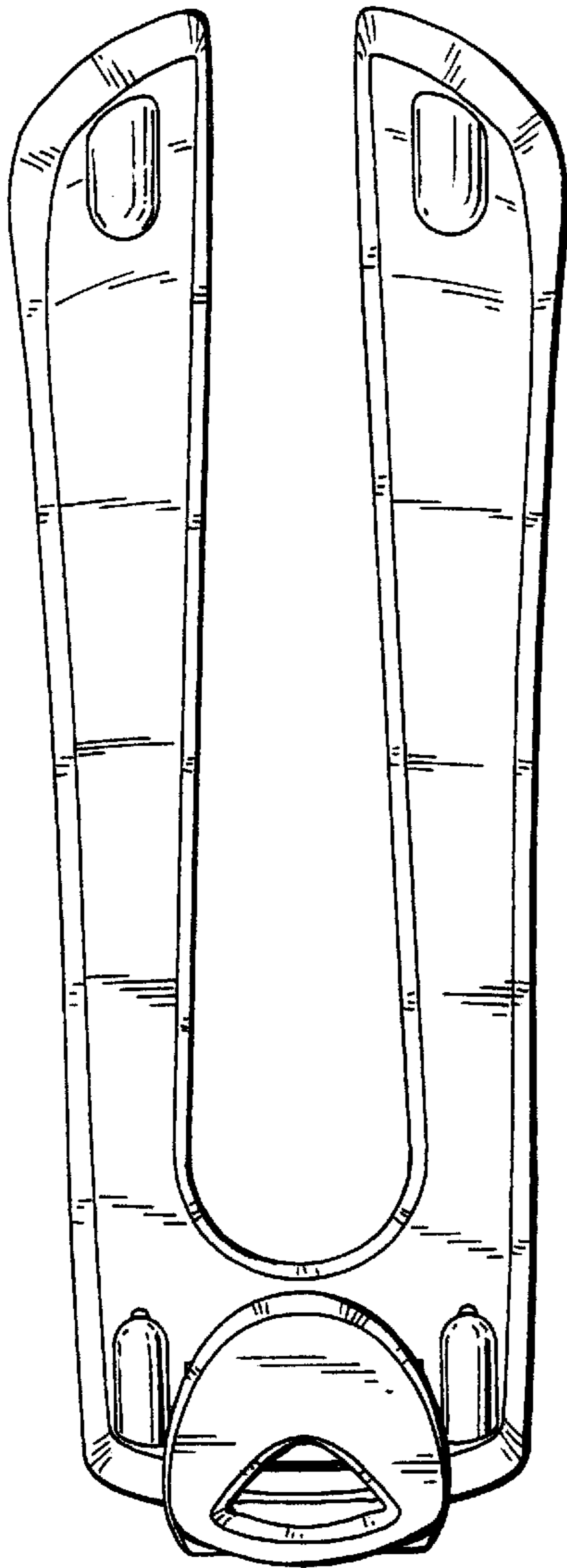


FIG. 4

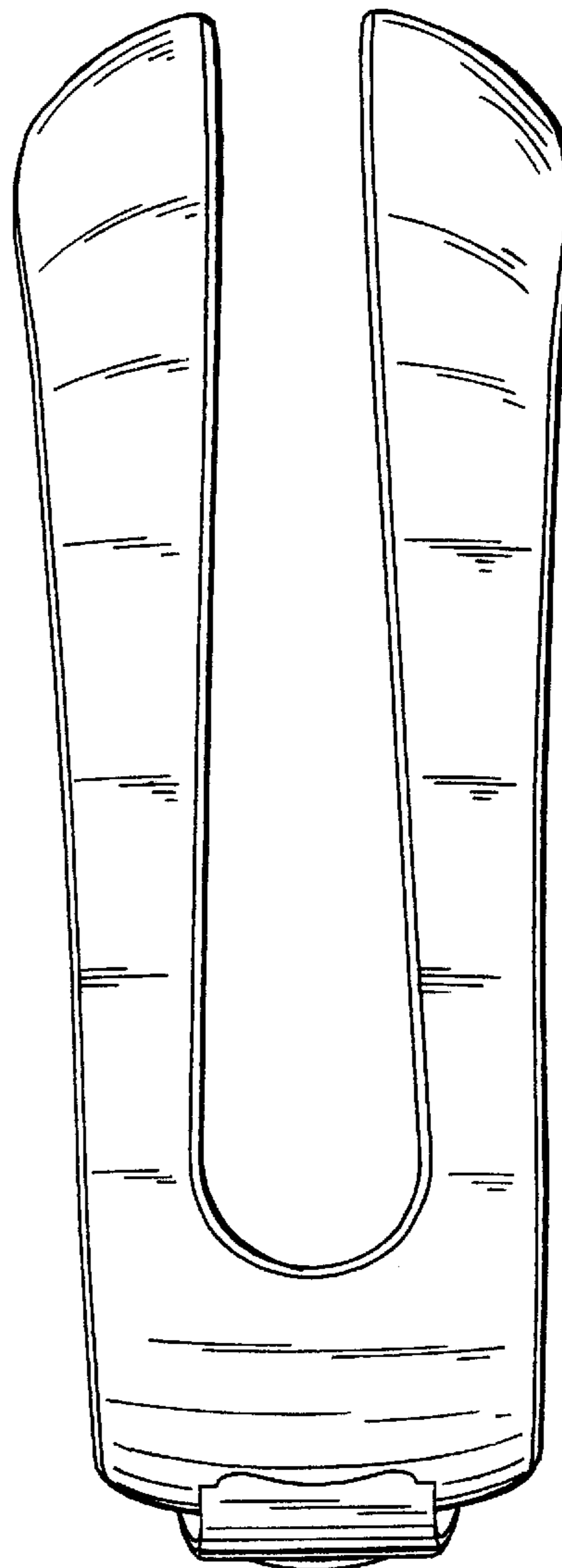


FIG. 5

UNITED STATES PATENT AND TRADEMARK OFFICE
CERTIFICATE OF CORRECTION

PATENT NO. : Des. 531,886 S
APPLICATION NO. : 29/209305
DATED : November 14, 2006
INVENTOR(S) : Jonne Harju

Page 1 of 1

It is certified that error appears in the above-identified patent and that said Letters Patent is hereby corrected as shown below:

TITLE PAGE and Col. 1, Line 1:

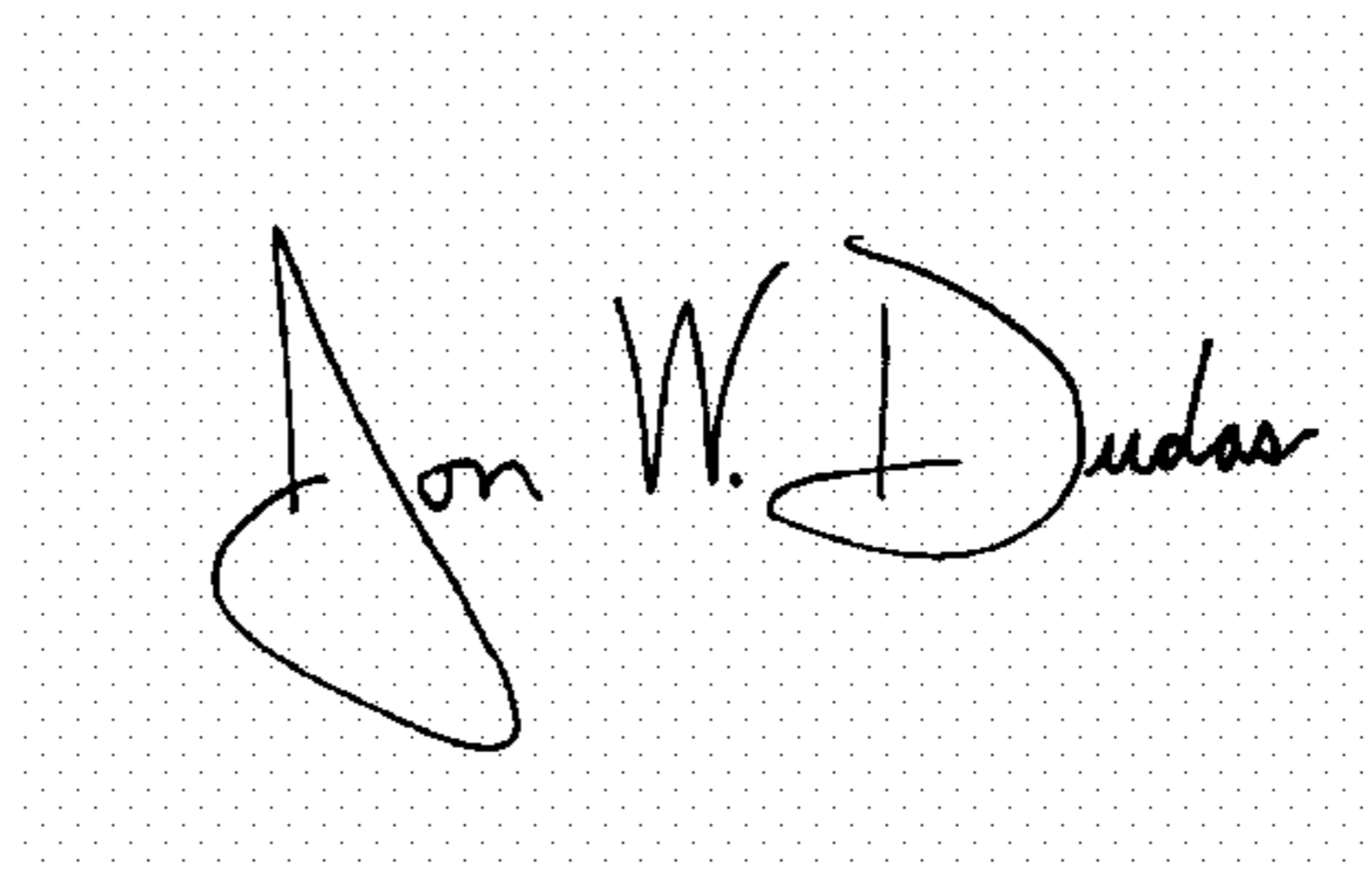
- Item (54) Title now reads "Lower Part of Fastener Device",
should read --Lower Part of Fastening Device--.
- Item (57) Claim now reads "The ornamental design for a lower part of
fastener device, as shown and described", should read --The
ornamental design for a lower part of fastening device, as
shown and described--.

DESCRIPTION

FIG. 1 now reads "FIG 1 is a top perspective view of a lower part of fastener device showing my new design;" should read --FIG 1 is a top perspective view of a lower part of fastening device showing my new design;--.

Signed and Sealed this

Twenty-seventh Day of March, 2007

A handwritten signature in black ink on a light gray dotted background. The signature reads "Jon W. Dudas" in a cursive style.

JON W. DUDAS

Director of the United States Patent and Trademark Office