



US00D531882S

(12) **United States Design Patent**  
**Haugaard et al.**

(10) **Patent No.:** **US D531,882 S**

(45) **Date of Patent:** **\*\* Nov. 14, 2006**

(54) **LATCH HANDLE AND HOUSING OF A LIGHTING FIXTURE**

(75) Inventors: **Eric J. Haugaard**, Kenosha, WI (US);  
**Kurt S. Wilcox**, Libertyville, IL (US)

(73) Assignee: **Ruud Lighting, Inc.**, Racine, WI (US)

(\*\*) Term: **14 Years**

(21) Appl. No.: **29/205,296**

(22) Filed: **May 12, 2004**

(51) **LOC (8) Cl.** ..... **08-07**

(52) **U.S. Cl.** ..... **D8/336; D8/343**

(58) **Field of Classification Search** ..... D8/301,  
D8/302, 330, 331, 336, 338, 339, 343; 70/14,  
70/51, 52, 57, 57.1, 69, 141, 142, 145, 164,  
70/170, 431, 434; 292/358, 359, DIG. 14,  
292/DIG. 30, DIG. 42, DIG. 68  
See application file for complete search history.

(56) **References Cited**

**U.S. PATENT DOCUMENTS**

D119,418 S	*	3/1940	Anderson et al. ....	D8/306
D211,452 S	*	6/1968	Patrell .....	D8/341
4,370,874 A	*	2/1983	Munn .....	70/204
D271,562 S	*	11/1983	Weinerman .....	D8/338
4,706,478 A	*	11/1987	Swan et al. ....	70/28
4,858,973 A	*	8/1989	Ogasawara et al. ....	292/347
D328,231 S		7/1992	Hansen	
D339,050 S		9/1993	Gleason et al.	
5,248,174 A	*	9/1993	Matz et al. ....	292/338
D399,121 S	*	10/1998	Alyanakian et al. ....	D8/339
D415,406 S	*	10/1999	Weinerman et al. ....	D8/331

\* cited by examiner

*Primary Examiner*—Prabhakar Deshmukh  
(74) *Attorney, Agent, or Firm*—Jansson, Shupe, Munger & Antaramian, Ltd.

(57) **CLAIM**

The ornamental design for a latch handle and housing of a lighting fixture, as shown and described.

**DESCRIPTION**

FIG. 1 is a top plan view of a latch handle and housing of a lighting fixture, illustrating the latch handle and housing as part of a lighting fixture shown in broken lines and showing the latch handle in the raised position.

FIG. 2 is a front elevation view of a latch handle of FIG. 1, further illustrating the latch handle and housing as part of a lighting fixture shown in broken lines.

FIG. 3 is an enlarged top plan view of the latch handle and housing of FIG. 1.

FIG. 4 is a front perspective view of the latch handle and housing of FIG. 3.

FIG. 5 is a front perspective view of the latch handle and housing of FIG. 4 showing the latch handle in the stowed position.

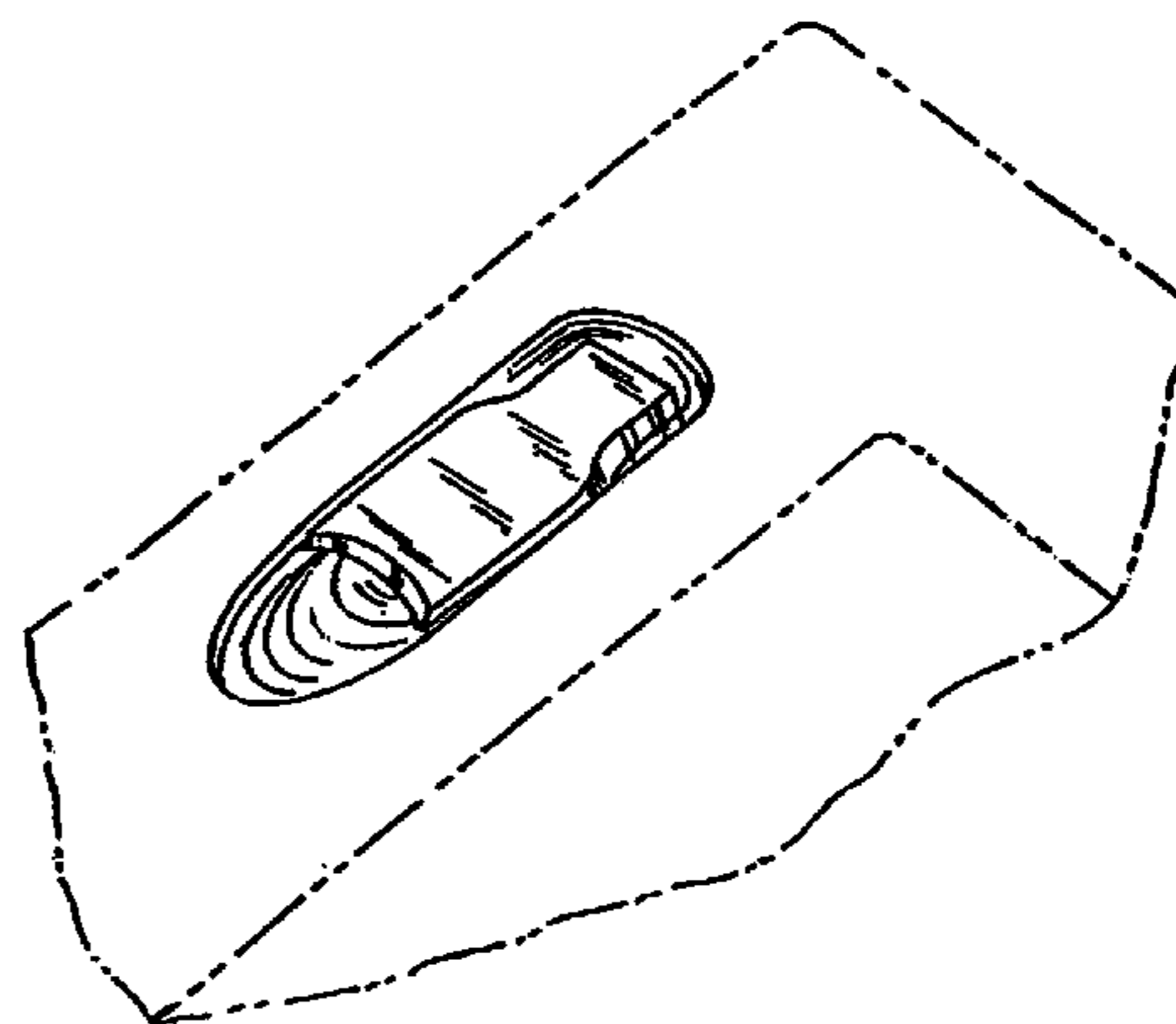
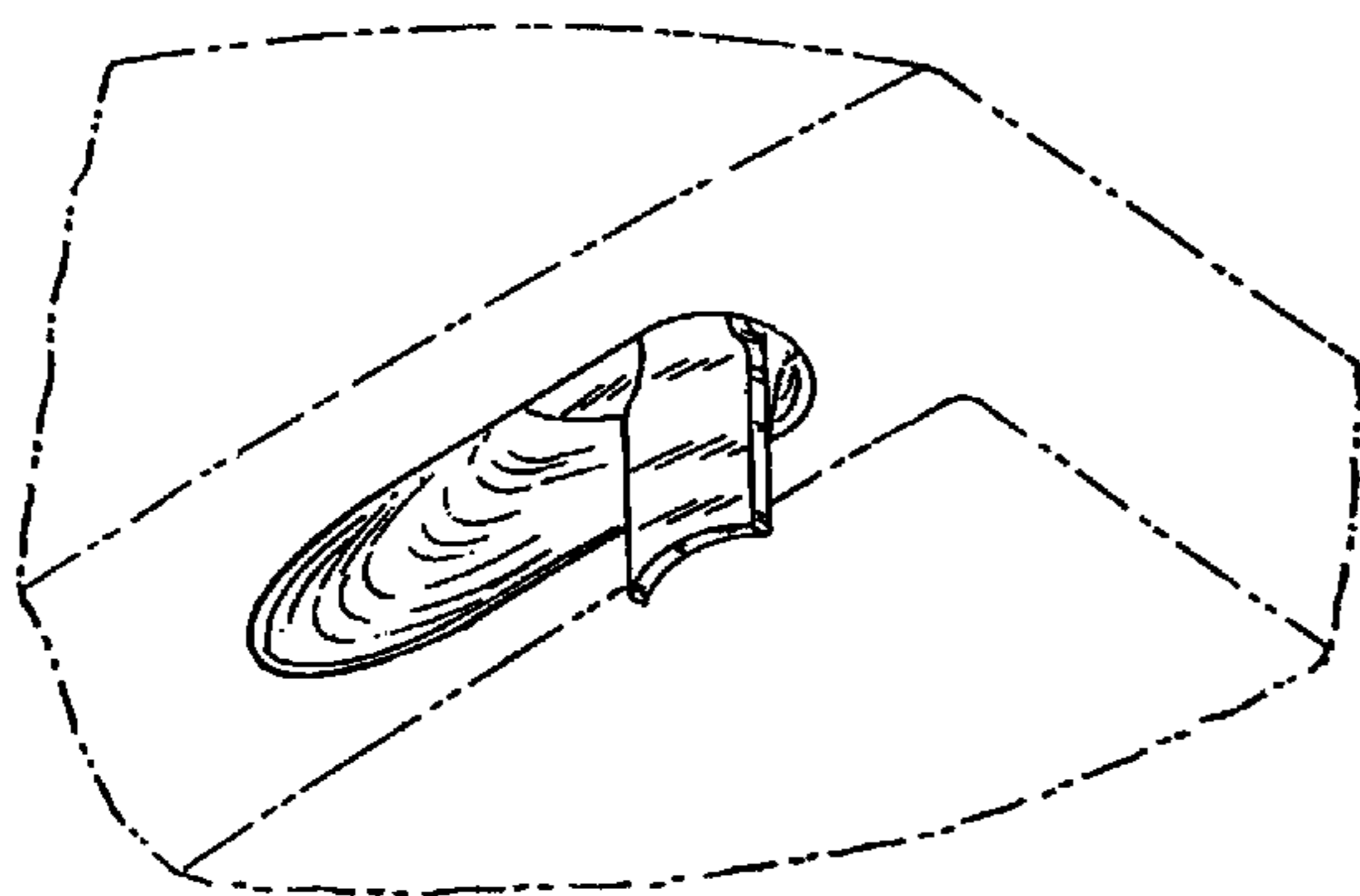
FIG. 6 is top plan view of the latch handle and housing in FIG. 5.

FIG. 7 is an enlarged front elevation view of the latch handle of FIG. 2; and,

FIG. 8 is a right side elevation view of the latch handle showing the latch handle of FIG. 7 turned 90°, the left side being a mirror image.

The broken lines are provided for illustrative purposes only and form no part of the claimed design.

**1 Claim, 4 Drawing Sheets**



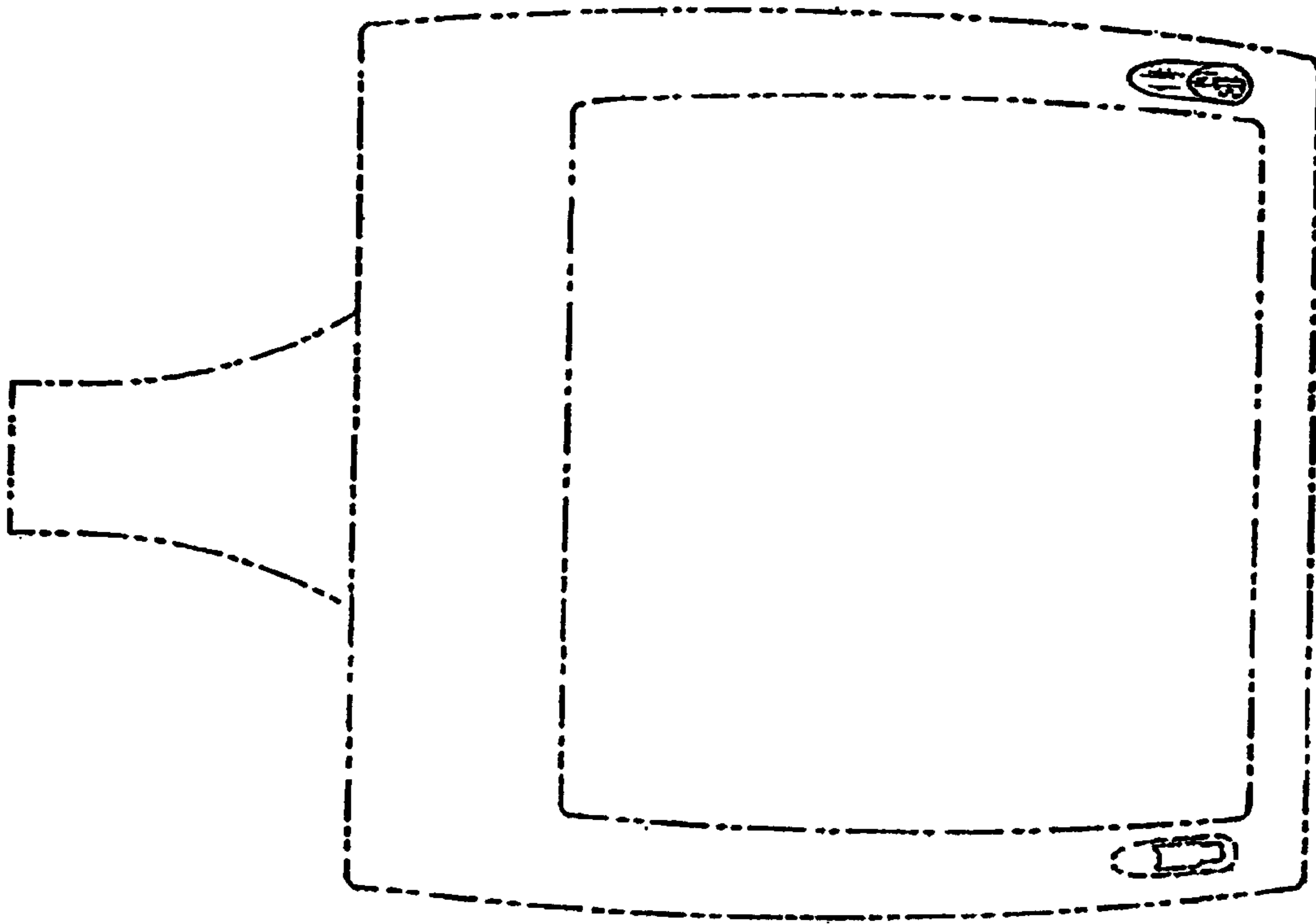


FIG. 1

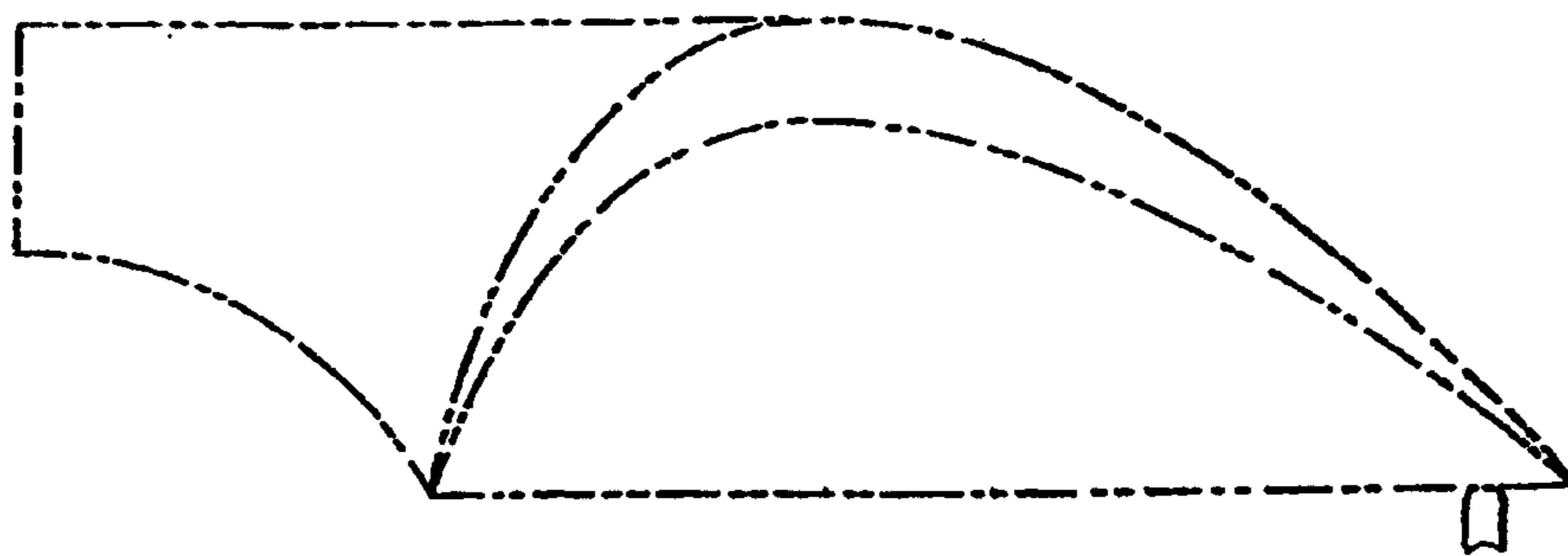


FIG. 2

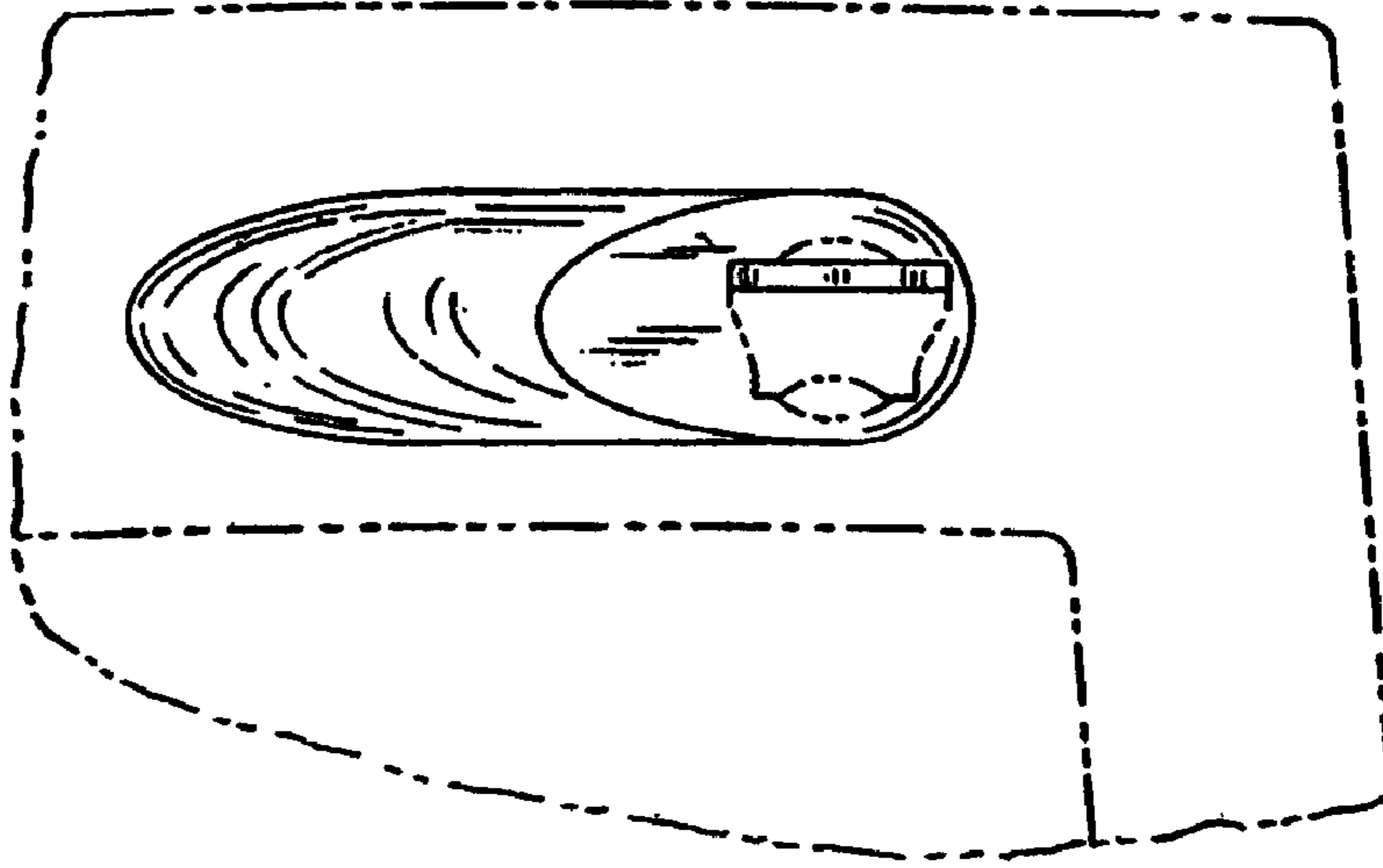


FIG. 3

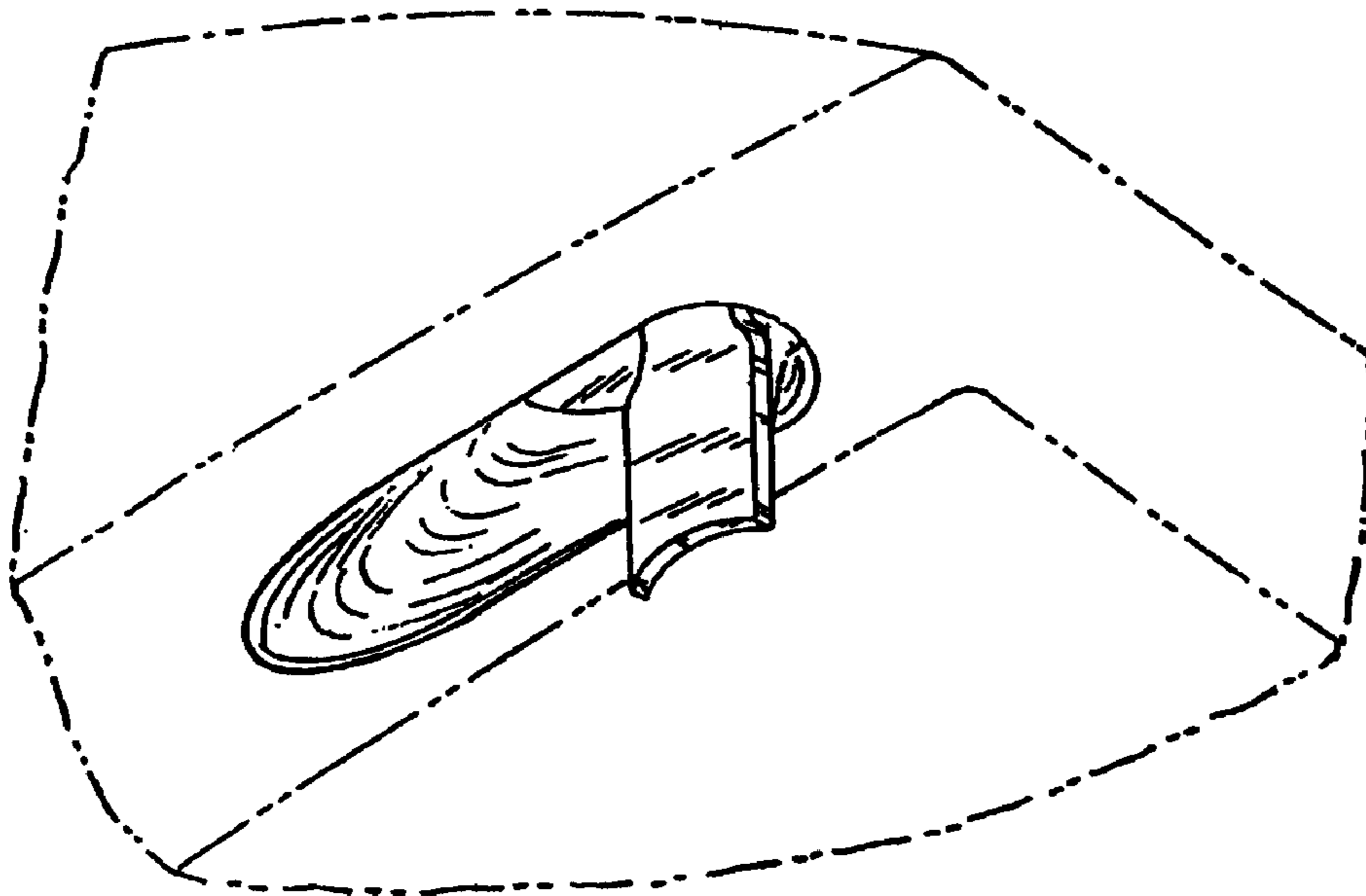
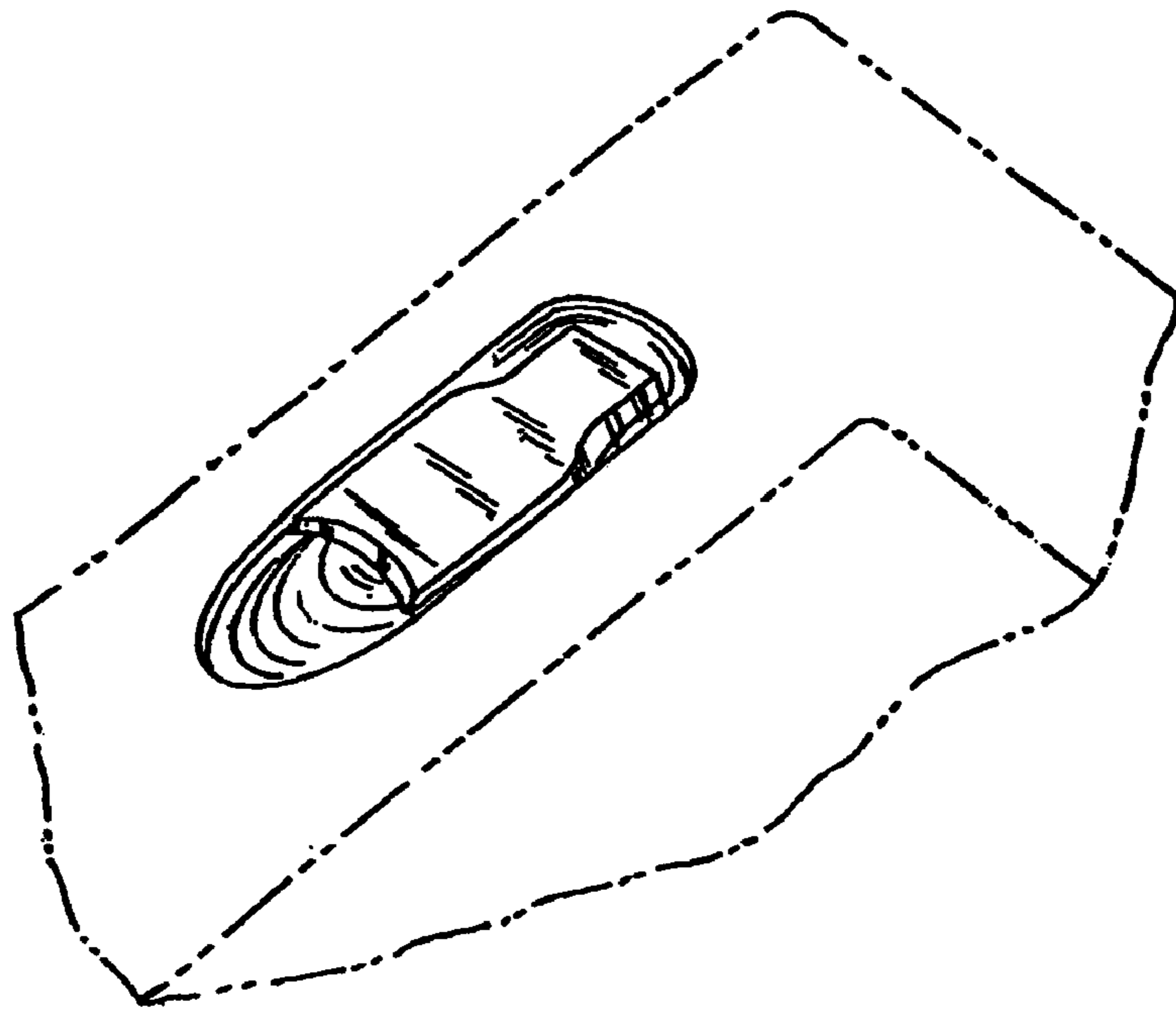
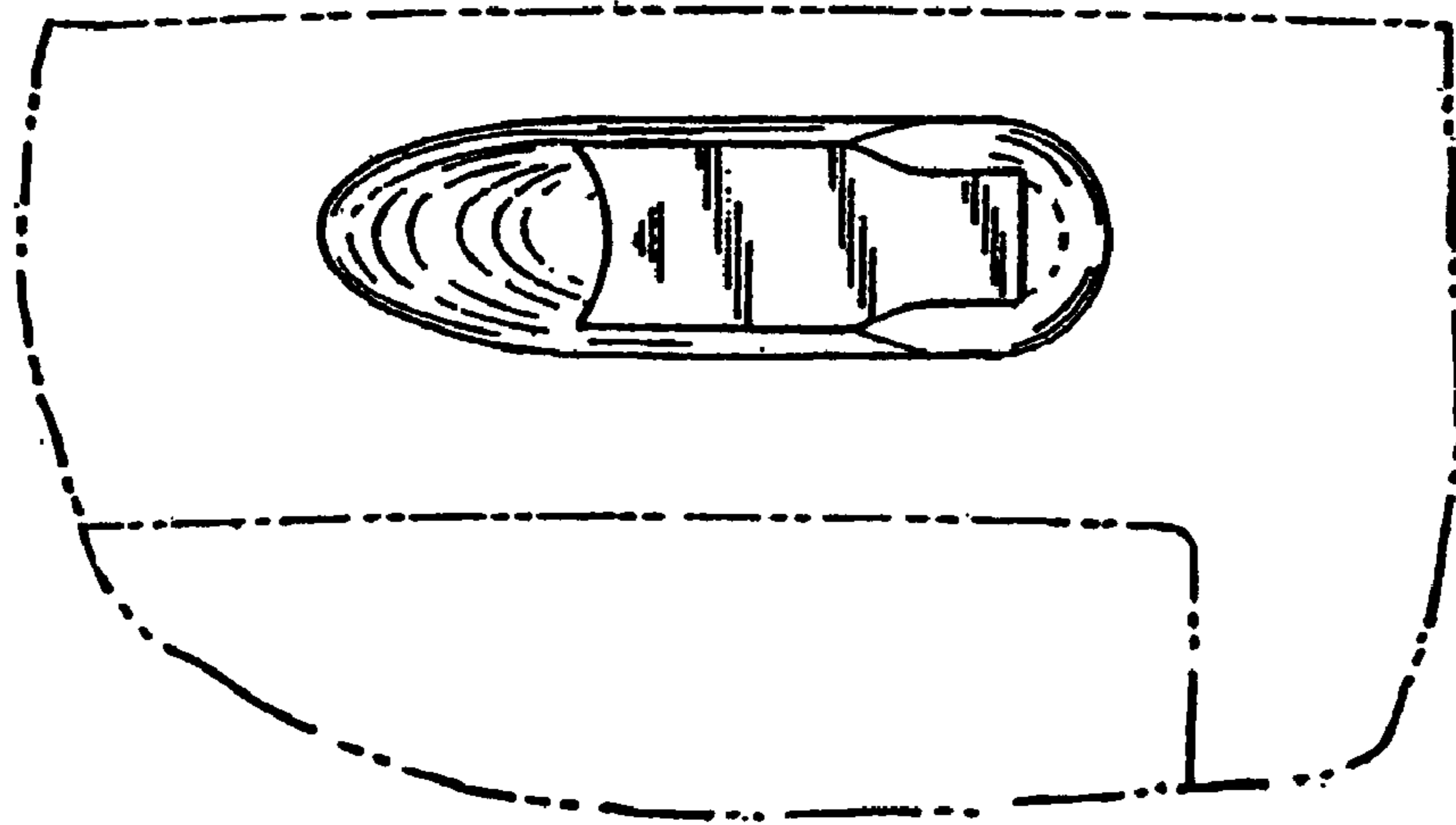


FIG. 4



*FIG. 5*



*FIG. 6*

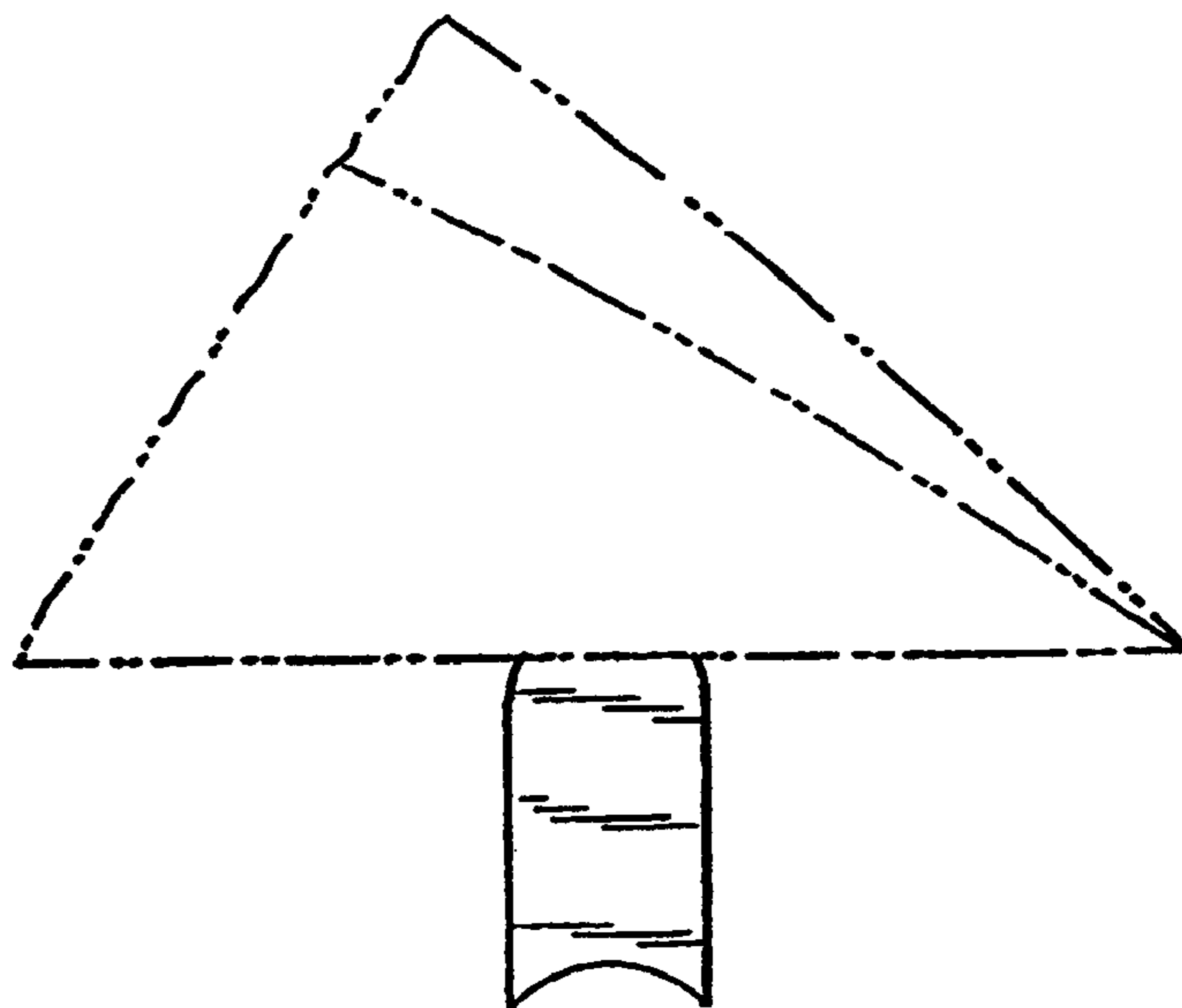


FIG. 7

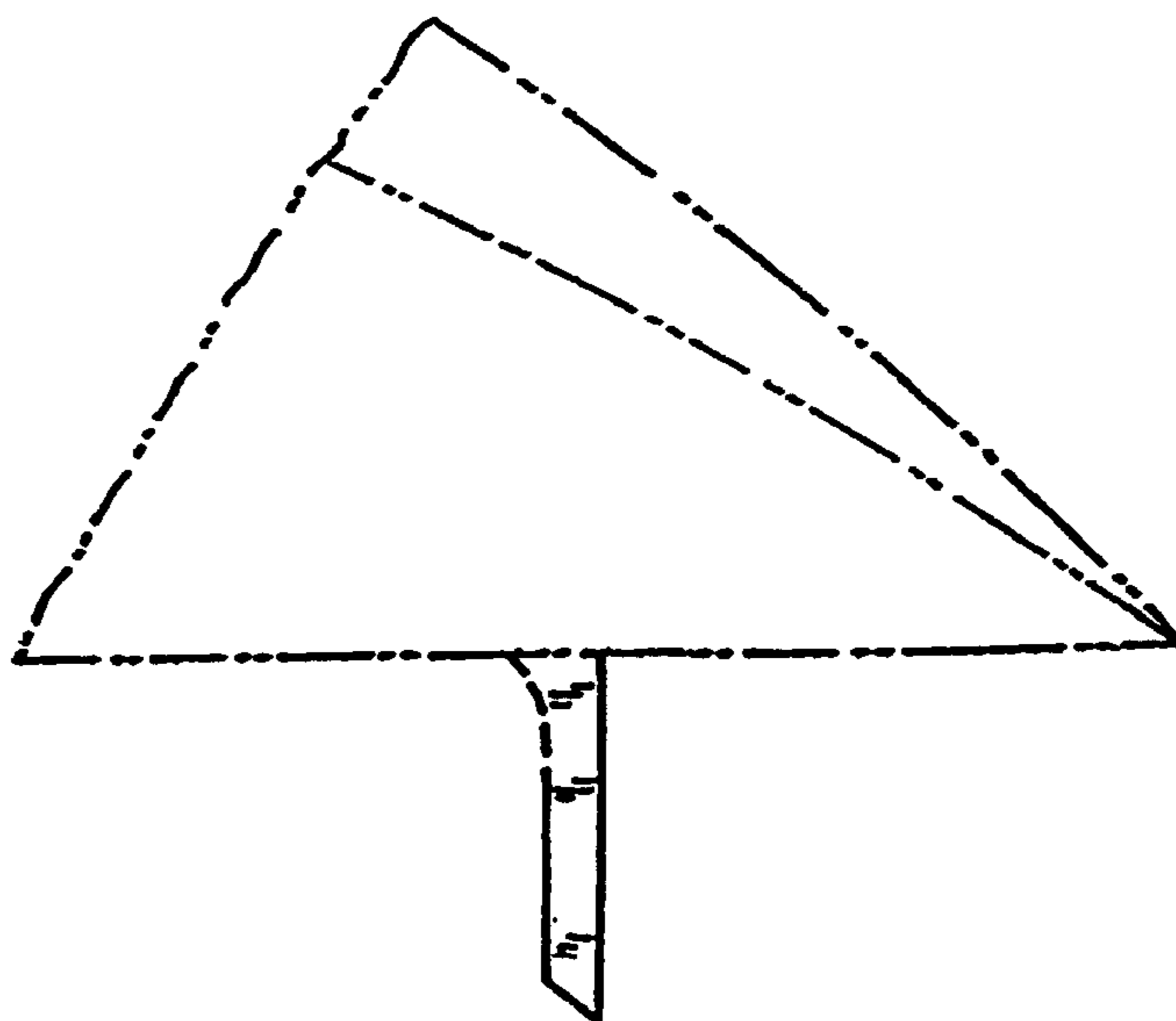


FIG. 8