



US00D531874S

(12) **United States Design Patent** (10) **Patent No.:** **US D531,874 S**
Wu (45) **Date of Patent:** **** Nov. 14, 2006**

(54) **ELECTRIC DRILL**

(75) Inventor: **Shuming Wu**, Nanjing (CN)

(73) Assignee: **Nanjing Chervon Industry Co., Ltd.**,
Nanjing (CN)

(**) Term: **14 Years**

(21) Appl. No.: **29/243,933**

(22) Filed: **Dec. 1, 2005**

(30) **Foreign Application Priority Data**

Jun. 17, 2005 (CN) 200530085152

(51) **LOC (8) Cl.** **08-01**

(52) **U.S. Cl.** **D8/68**

(58) **Field of Classification Search** D8/14.1,
D8/61, 62, 63, 64, 65, 66, 67, 68, 69, 70;
81/57.11, 429, 464, 465, 466, 469, 489; 173/13,
173/104, 114, 168, 169, 170, 171, 178, 201,
173/211, 213, 217; 408/20, 124, 125, 234,
408/241 R; 451/358; 310/50; 227/8, 114,
227/120, 130, 136, 142
See application file for complete search history.

(56) **References Cited**

U.S. PATENT DOCUMENTS

4,098,351 A * 7/1978 Alessio 173/13
D279,862 S * 7/1985 Sato et al. D8/61
D280,883 S * 10/1985 Sakamoto et al. D8/68
4,689,534 A * 8/1987 Gerber et al. 310/50
D304,287 S * 10/1989 Zurwelle D8/68
D316,021 S * 4/1991 Bunyea D8/68
D319,763 S * 9/1991 Reiferscheid D8/68
5,056,607 A * 10/1991 Sanders 173/217
D326,400 S * 5/1992 Fushiya et al. D8/68
D344,000 S * 2/1994 Shibata et al. D8/68
D353,526 S * 12/1994 Hoshino D8/68
5,531,538 A * 7/1996 Stolzer 173/171
5,628,374 A * 5/1997 Dibbern, Jr. 173/104
D400,416 S * 11/1998 Zurwelle D8/68
D403,565 S * 1/1999 Chung D8/68
D406,740 S * 3/1999 Zurwelle D8/68
D406,742 S * 3/1999 Schoen et al. D8/68
D439,123 S * 3/2001 Sakai et al. D8/68

D441,268 S * 5/2001 Heun D8/68
D452,639 S * 1/2002 Zurwelle D8/68
D466,386 S * 12/2002 Zurwelle D8/68
D470,379 S * 2/2003 Andriolo D8/68
D470,737 S * 2/2003 Chunn et al. D8/68
D482,254 S * 11/2003 Tsuzuki et al. D8/68
D486,049 S * 2/2004 Sugiura et al. D8/68
D490,677 S * 6/2004 Chung et al. D8/68
D496,574 S * 9/2004 Sakai et al. D8/68
D498,400 S * 11/2004 Wu D8/68
D502,376 S * 3/2005 Andriolo D8/68
D507,952 S * 8/2005 Wu D8/68
D513,951 S * 1/2006 Chung et al. D8/68
2003/0146008 A1 * 8/2003 Andriolo 173/217
2005/0247466 A1 * 11/2005 Andriolo et al. 173/170

FOREIGN PATENT DOCUMENTS

GB 2068866 S * 3/1997
GB 2068869 S * 3/1997
GB 2079456 S * 11/1998
GB 2091393 S * 3/2000
GB 2104779 S * 9/2001
GB 3005651 S * 7/2002
GB 3009034 S * 11/2002

* cited by examiner

Primary Examiner—T. Chase Nelson
(74) *Attorney, Agent, or Firm*—Butzel Long

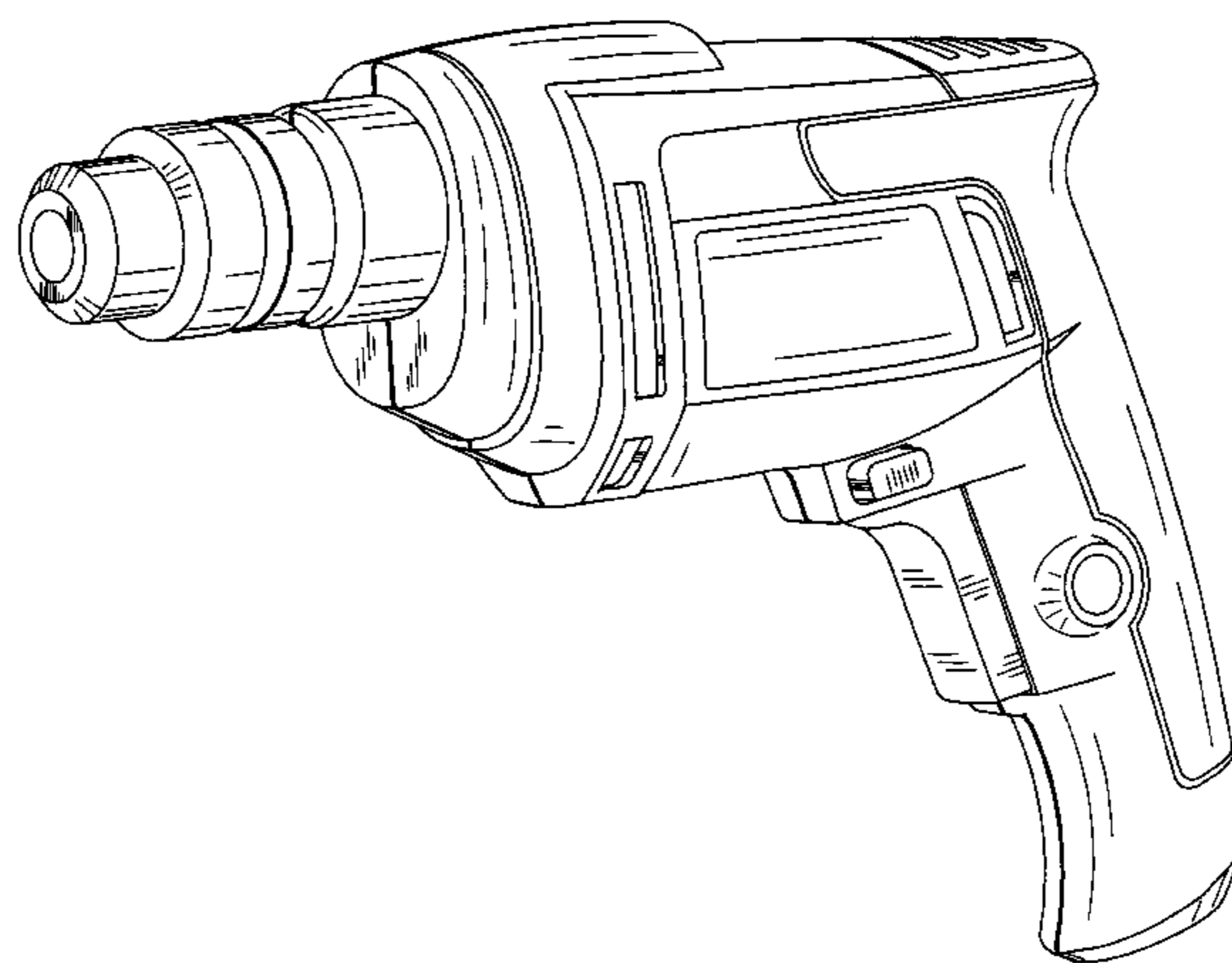
(57) **CLAIM**

The ornamental design for an electric drill, as shown and described.

DESCRIPTION

FIG. 1 is a front elevational view of the design;
FIG. 2 is a rear elevational view of the electric drill in FIG. 1;
FIG. 3 is a right side elevational view of the electric drill in FIG. 1;
FIG. 4 is a left side elevational view of the electric drill in FIG. 1;
FIG. 5 is a bottom plan view of the electric drill in FIG. 1; and
FIG. 6 is a top plan view of the electric drill in FIG. 1;
FIG. 7 is a perspective view of the electric drill of FIG. 1; and,
FIG. 8 is another perspective view of the electric drill of FIG. 1.

1 Claim, 8 Drawing Sheets



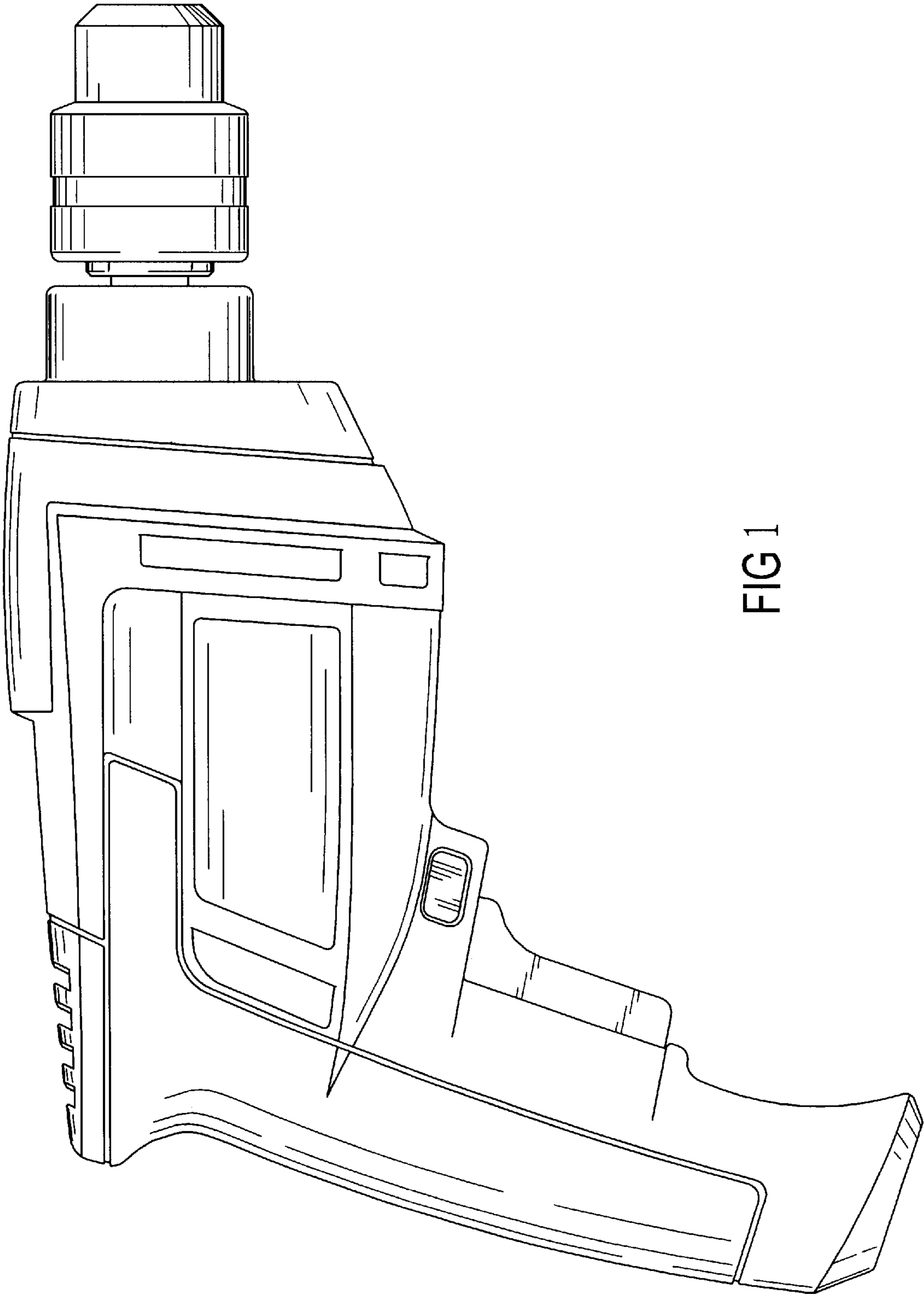


FIG 1

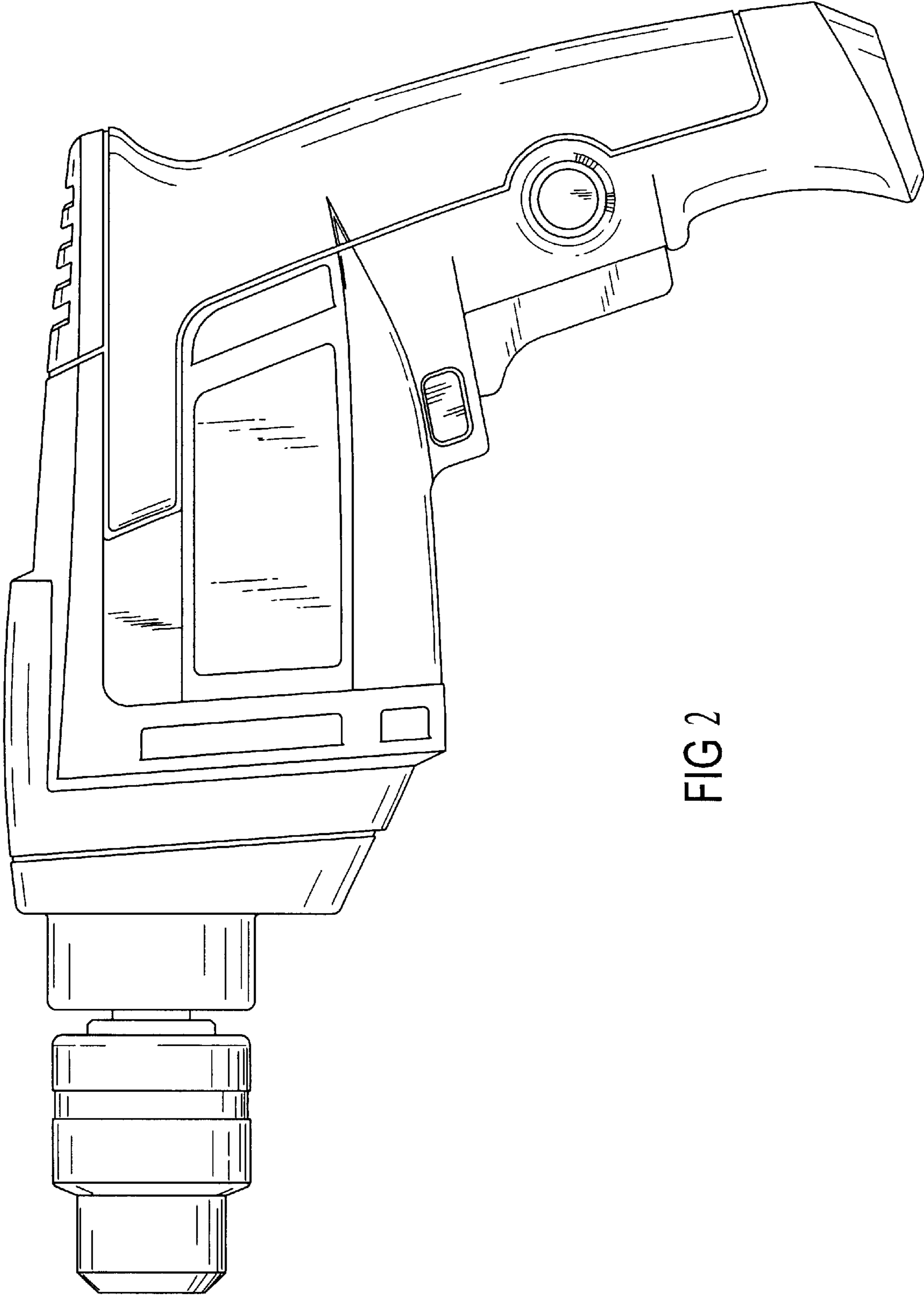


FIG 2

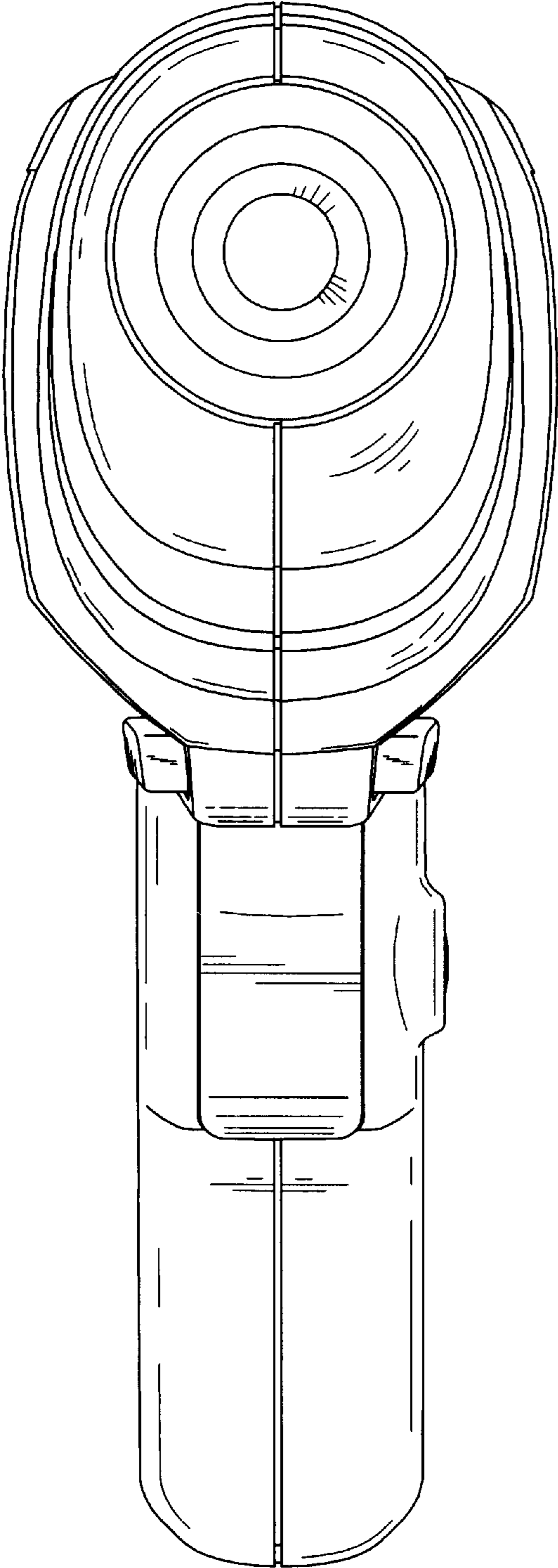


FIG 3

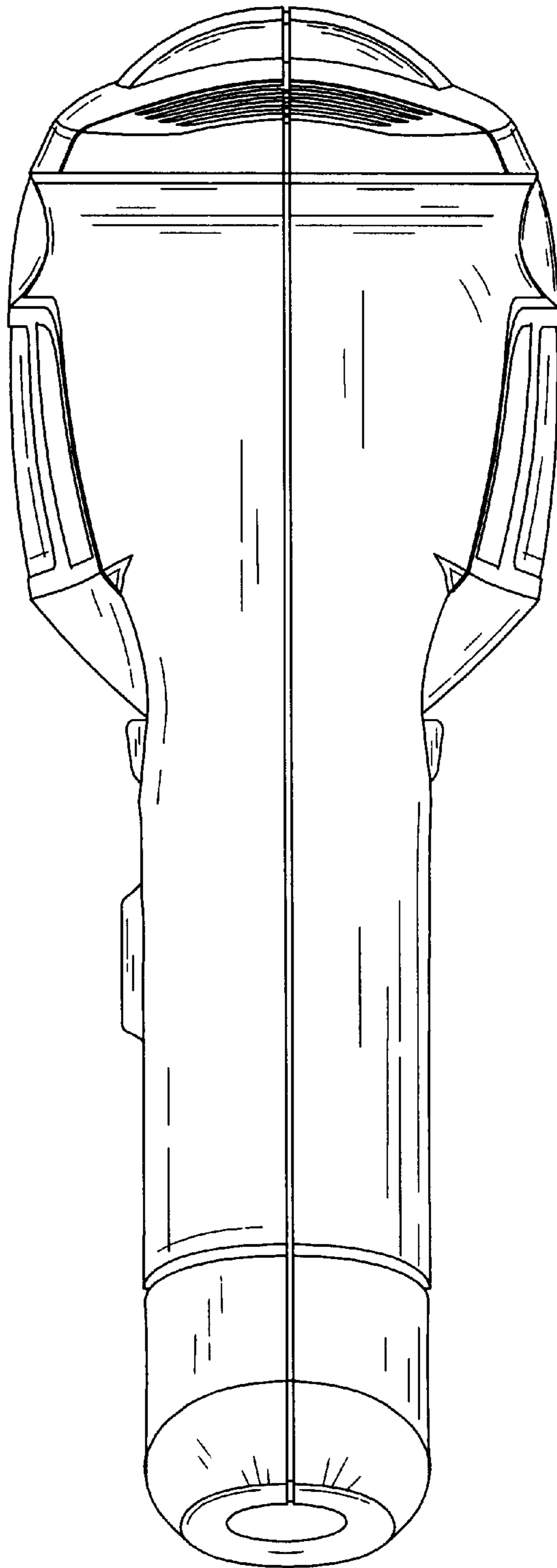


FIG 4

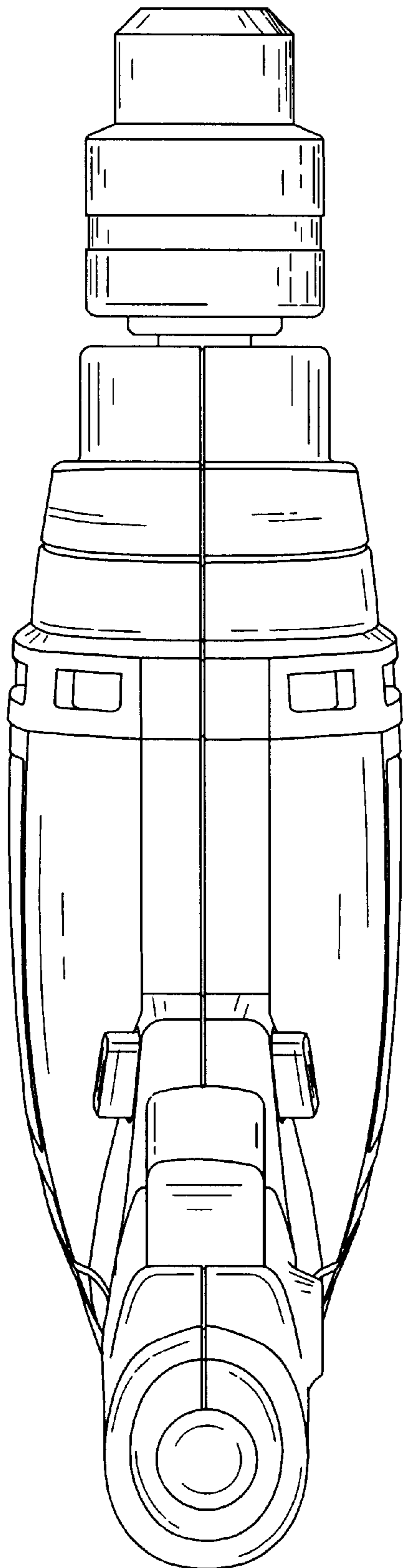


FIG 5

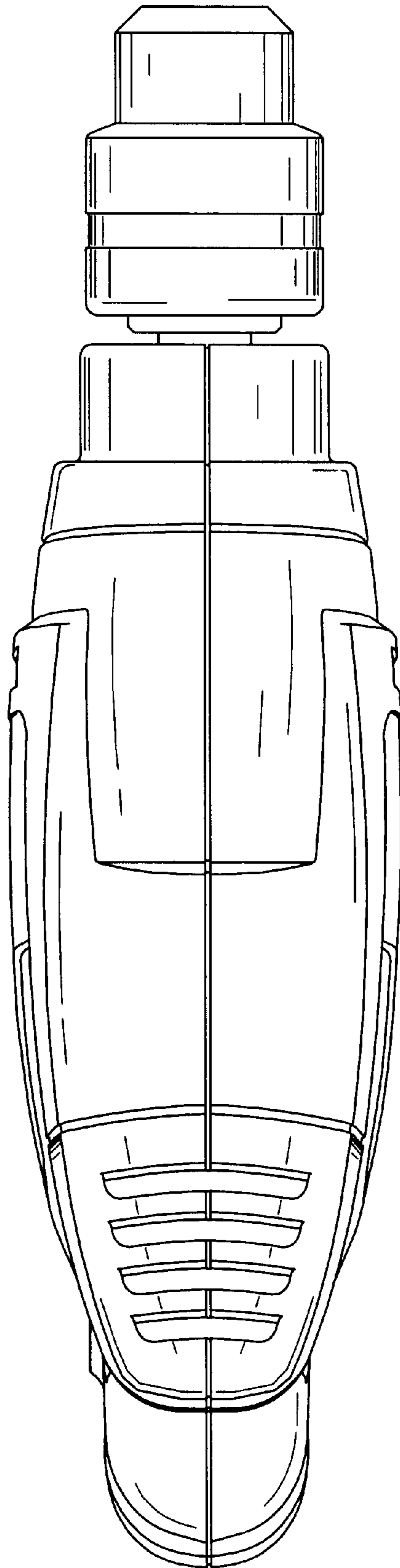


FIG 6

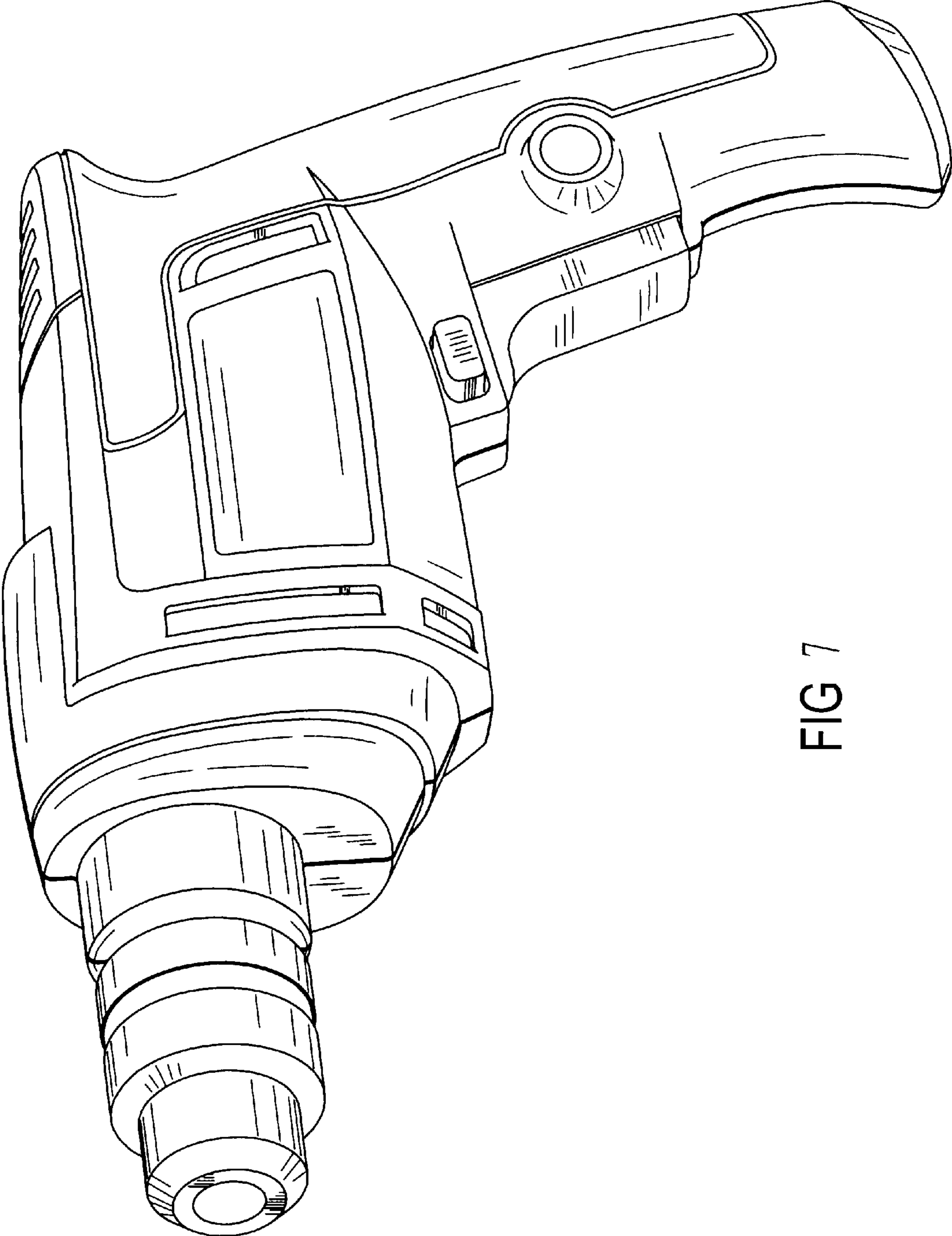


FIG 7

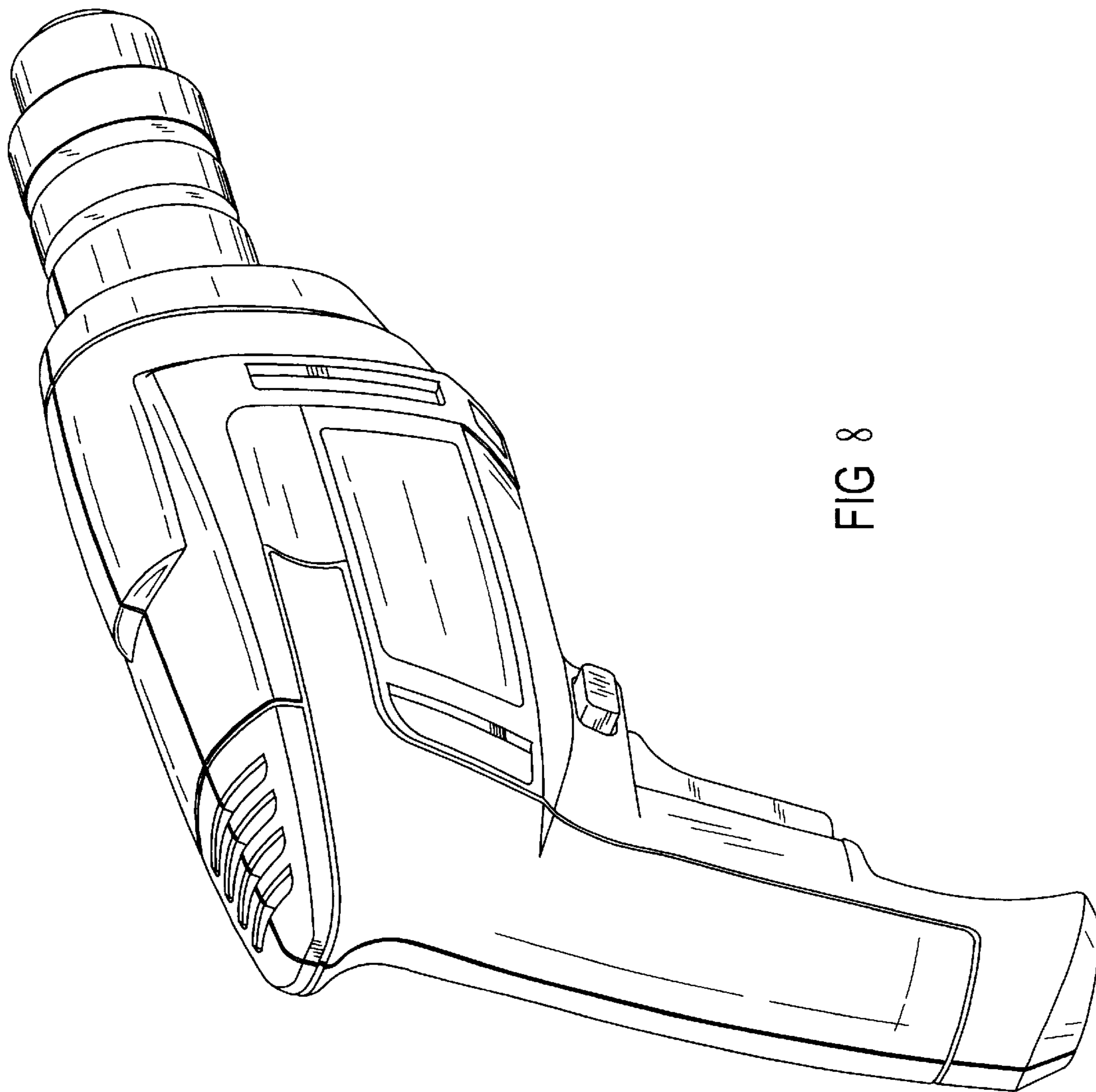


FIG 8