



US00D531870S

(12) **United States Design Patent**
Andriolo

(10) **Patent No.:** **US D531,870 S**

(45) **Date of Patent:** **** Nov. 14, 2006**

(54) **ROUTER**

(75) Inventor: **Paolo Andriolo**, Suzhou (CN)

(73) Assignee: **Positec Power Tools (Suzhou) Co., Ltd.** (CN)

(**) Term: **14 Years**

(21) Appl. No.: **29/228,704**

(22) Filed: **Apr. 27, 2005**

(30) **Foreign Application Priority Data**

Nov. 3, 2004 (CN) 2004301019337

(51) **LOC (8) Cl.** **08-01**

(52) **U.S. Cl.** **D8/67**

(58) **Field of Classification Search** D8/61,
D8/67, 70, 107; 409/182, 180, 134, 132,
409/131; 144/48.6, 252.1, 154.5, 136.95
See application file for complete search history.

(56) **References Cited**

U.S. PATENT DOCUMENTS

5,143,494 A * 9/1992 McCurry 409/182
5,207,253 A * 5/1993 Hoshino et al. 144/136.95
D340,174 S * 10/1993 Hoshino et al. D8/67
5,998,897 A * 12/1999 Bosten et al. 310/89

6,024,144 A * 2/2000 Qian 144/252.1
6,182,723 B1 * 2/2001 Bosten et al. 144/154.5
6,244,797 B1 * 6/2001 Wheeler 409/182
D444,364 S * 7/2001 Evans D8/67
D450,230 S * 11/2001 Long et al. D8/107
D470,377 S * 2/2003 Lopano D8/67
6,896,451 B1 * 5/2005 Oberheim 409/131
D511,078 S * 11/2005 Baumgaertner D8/67
2005/0201839 A1 * 9/2005 Freese et al. 409/182

* cited by examiner

Primary Examiner—Cathron C. Brooks

Assistant Examiner—Austin Murphy

(74) *Attorney, Agent, or Firm*—Fulwider Patton LLP

(57) **CLAIM**

The ornamental design for a router, as shown and described.

DESCRIPTION

FIG. 1 is a perspective view showing my new design;

FIG. 2 is a front view thereof;

FIG. 3 is a back view thereof;

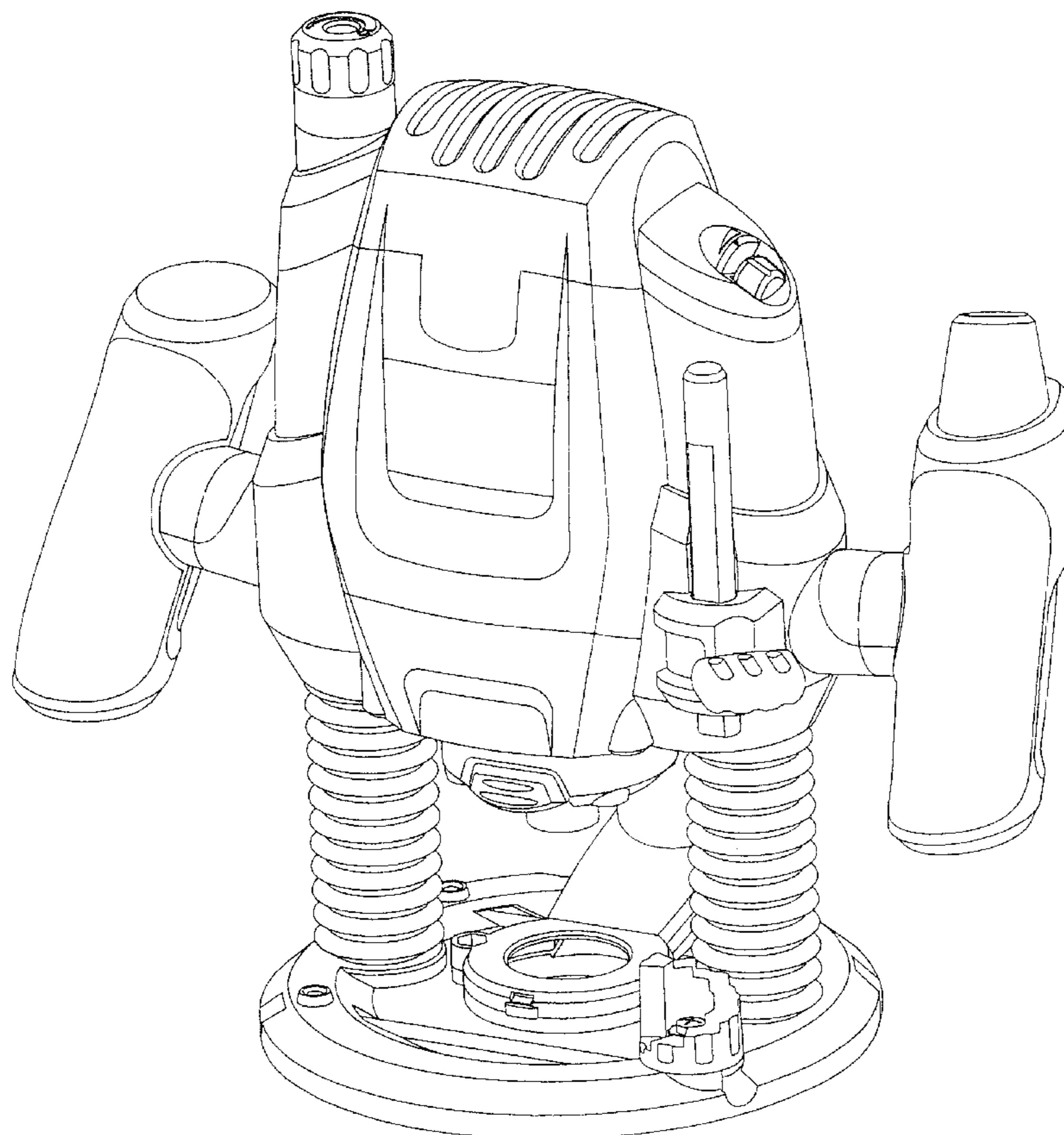
FIG. 4 is a bottom view thereof;

FIG. 5 is a top view thereof;

FIG. 6 is a left view thereof; and,

FIG. 7 is a right view thereof.

1 Claim, 7 Drawing Sheets



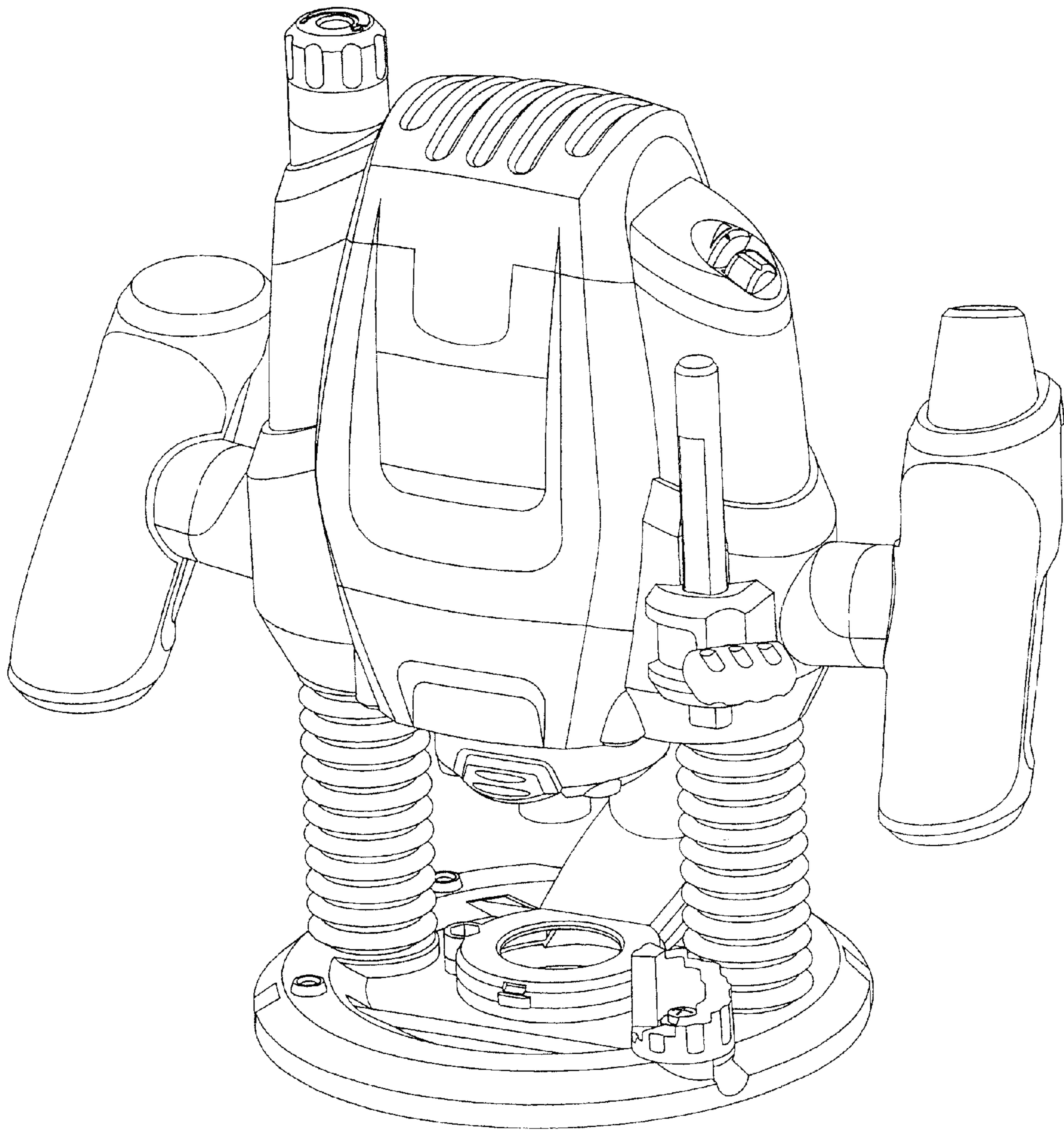


FIG. 1

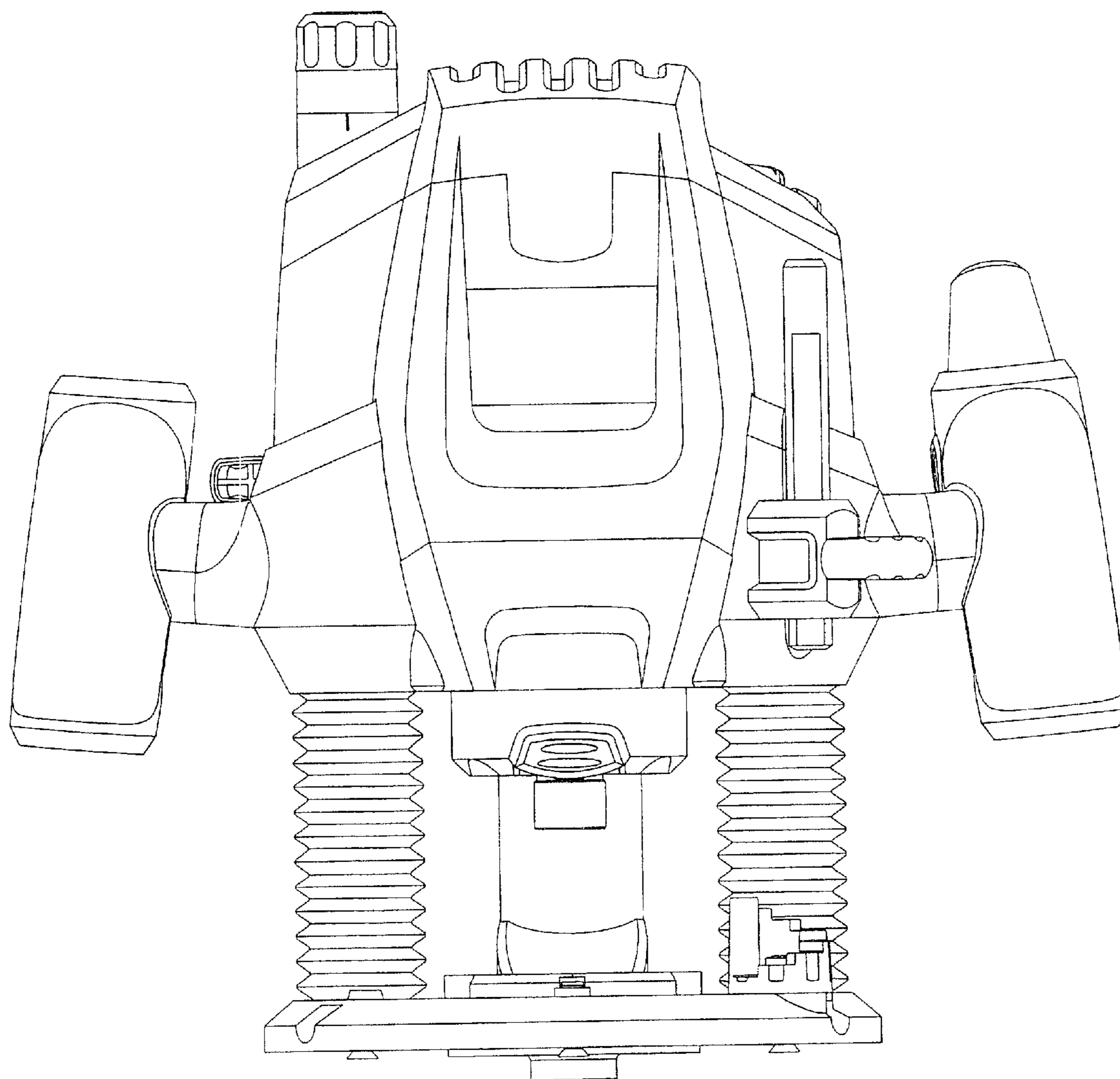


FIG. 2

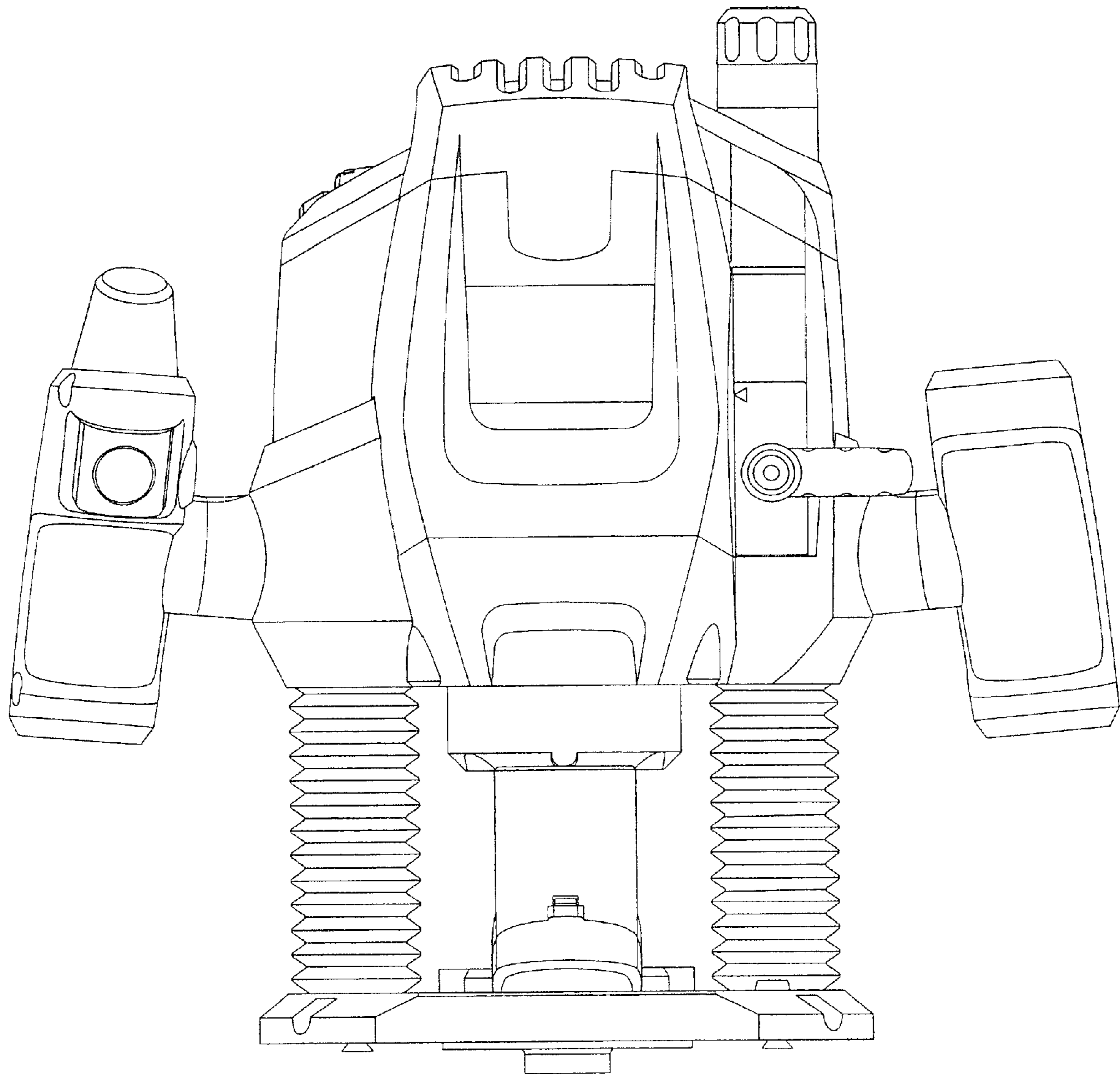


FIG. 3

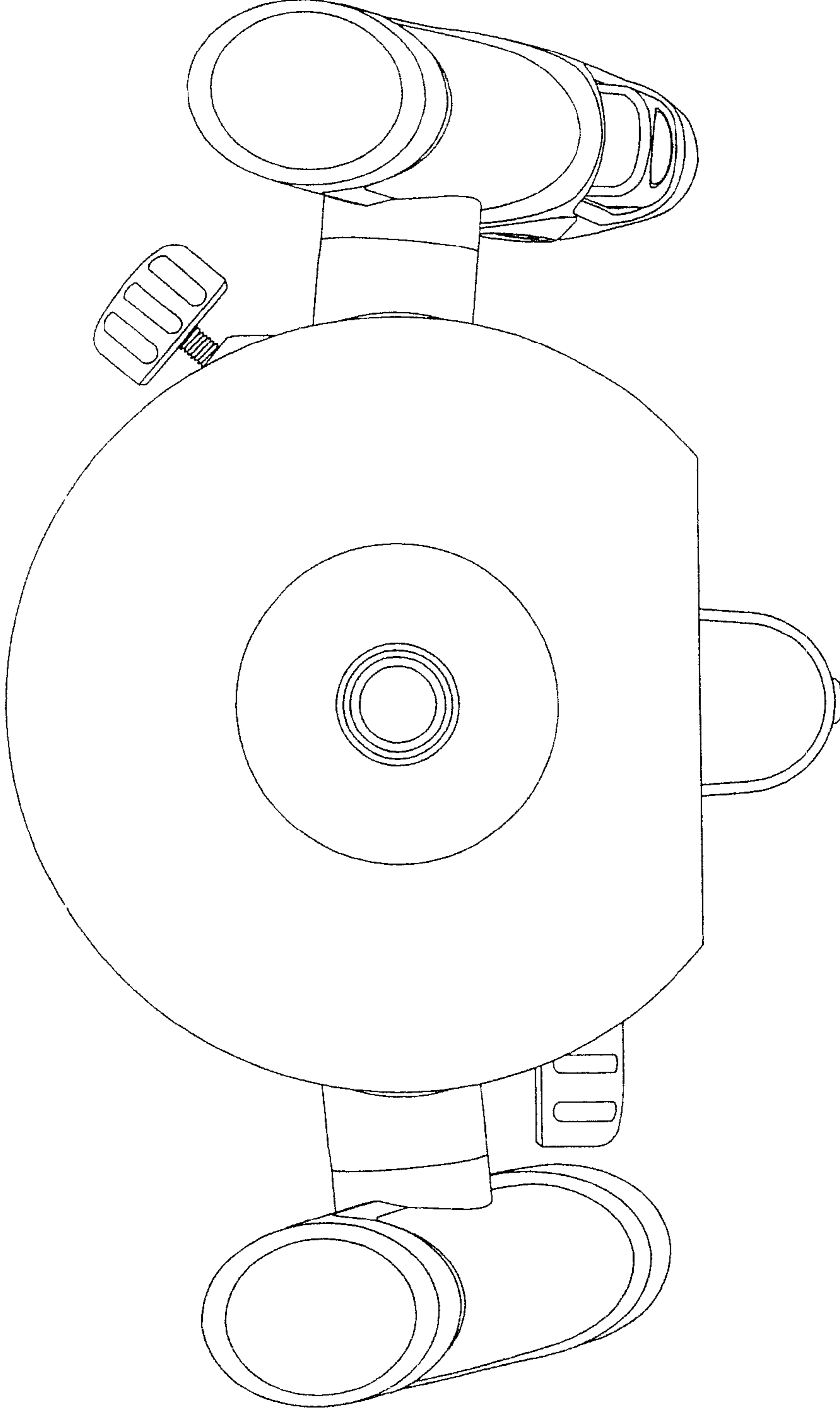


FIG. 4

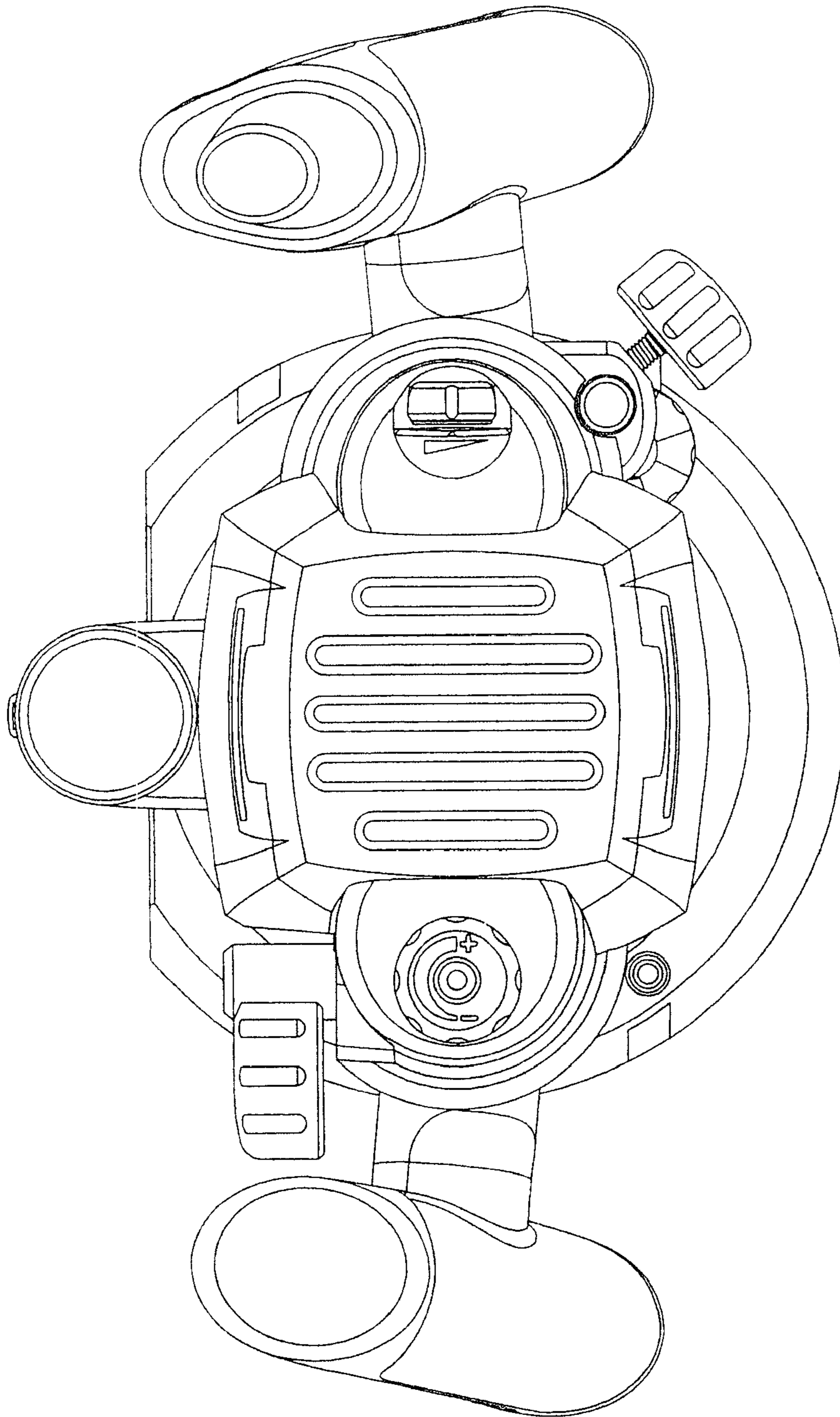


FIG. 5

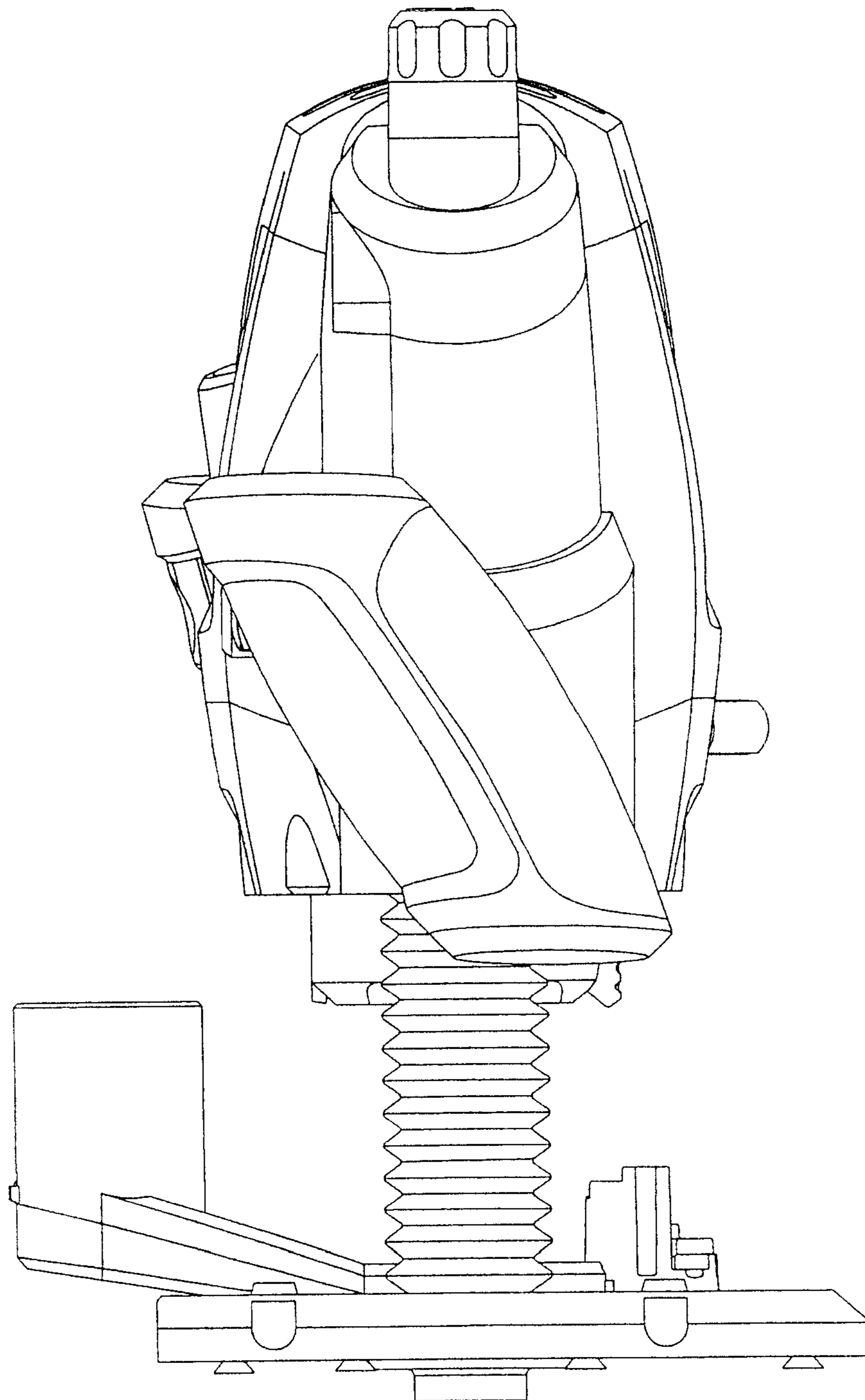


FIG. 6

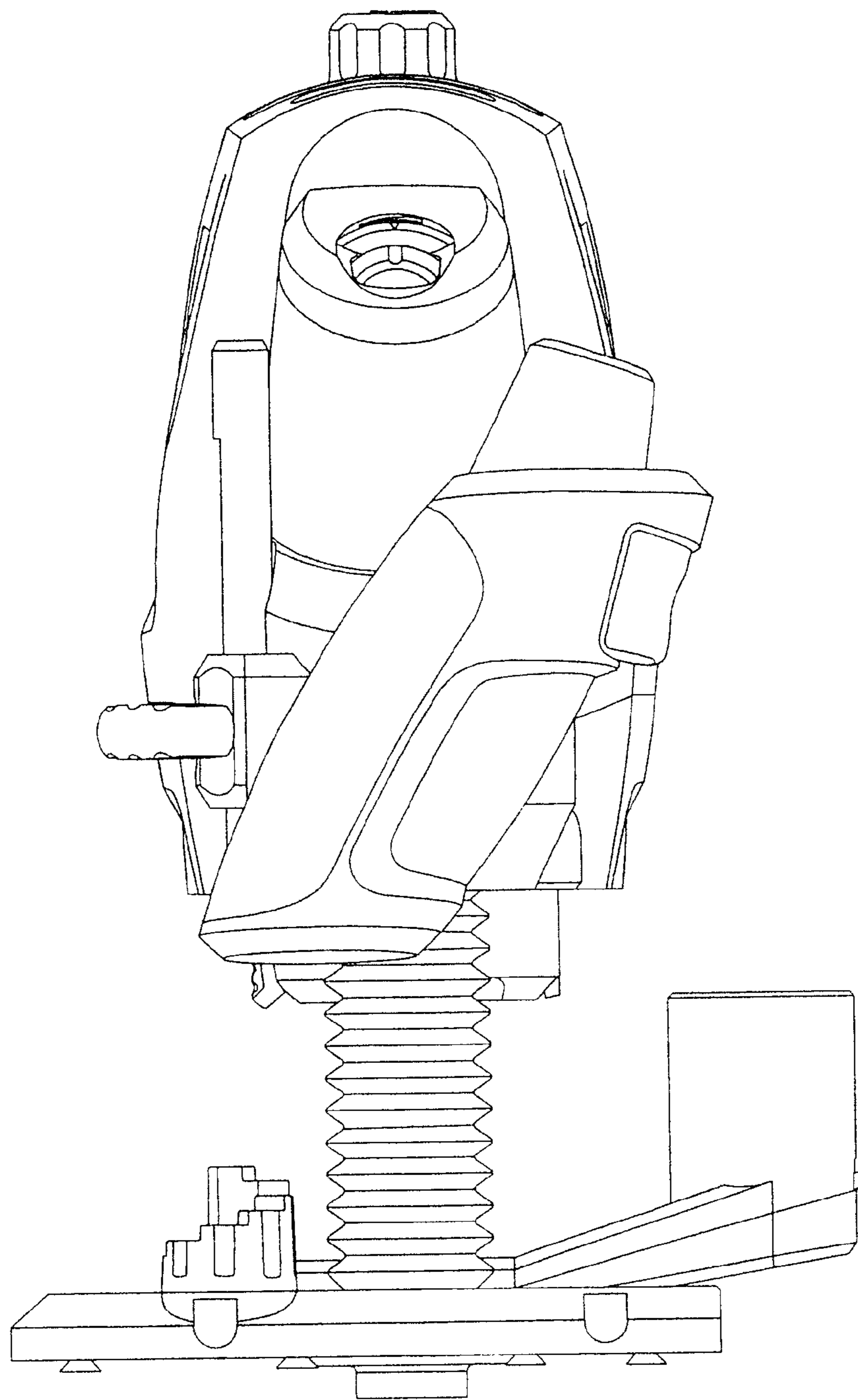


FIG. 7

UNITED STATES PATENT AND TRADEMARK OFFICE
CERTIFICATE OF CORRECTION

PATENT NO. : Des. 531,870 S
APPLICATION NO. : 29/228704
DATED : November 14, 2006
INVENTOR(S) : Paolo Andriolo

Page 1 of 9

It is certified that error appears in the above-identified patent and that said Letters Patent is hereby corrected as shown below:

The title page should be deleted and substitute therefor the attached title page.
The drawing sheets 1-7 consisting of Figures 1-7 should be deleted and replaced with drawing sheets 1-7 consisting of Figures 1-7 as shown on the attached pages.

Signed and Sealed this

First Day of January, 2008

A handwritten signature in black ink that reads "Jon W. Dudas". The signature is written in a cursive style with a large, looped initial "J".

JON W. DUDAS
Director of the United States Patent and Trademark Office

(12) **United States Design Patent**
Andriolo

(10) **Patent No.:** **US D531,870 S**
(45) **Date of Patent:** **** Nov. 14, 2006**

(54) **ROUTER**

(75) **Inventor:** **Paolo Andriolo, Suzhou (CN)**

(73) **Assignee:** **Positec Power Tools (Suzhou) Co., Ltd. (CN)**

(**) **Term:** **14 Years**

(21) **Appl. No.:** **29/228,704**

(22) **Filed:** **Apr. 27, 2005**

(30) **Foreign Application Priority Data**

Nov. 3, 2004 (CN) 2004301019337

(51) **LOC (8) Cl.:** **08-01**

(52) **U.S. Cl.:** **D8/67**

(58) **Field of Classification Search** **D8/61,**
D8/67, 70, 107, 409/182, 180, 134, 132,
409/131, 144/48.6, 252 I, 154.5, 136.95
See application file for complete search history.

(56) **References Cited**

U.S. PATENT DOCUMENTS

- 5,143,494 A * 9/1992 McCurry 409/182
- 5,207,253 A * 5/1993 Hoshino et al. 144/136.95
- D340,174 S * 10/1993 Hoshino et al. D8/67
- 5,998,897 A * 12/1999 Boston et al. 310/89

- 6,024,144 A * 2/2000 Qian 144/252.1
- 6,182,723 B1 * 2/2001 Boston et al. 144/154.5
- 6,244,797 B1 * 6/2001 Wheeler 409/182
- D444,364 S * 7/2001 Evans D8/67
- D456,230 S * 11/2001 Long et al. D8/107
- D470,377 S * 2/2003 Lopano D8/67
- 6,896,451 B1 * 5/2005 Oberhelm 409/131
- D511,078 S * 11/2005 Baumgaertner D8/67
- 2005/0201839 A1 * 9/2005 Freese et al. 409/182

* cited by examiner

Primary Examiner—Cathron C. Brooks

Assistant Examiner—Austin Murphy

(74) *Attorney, Agent, or Firm*—Fulwider Patton LLP

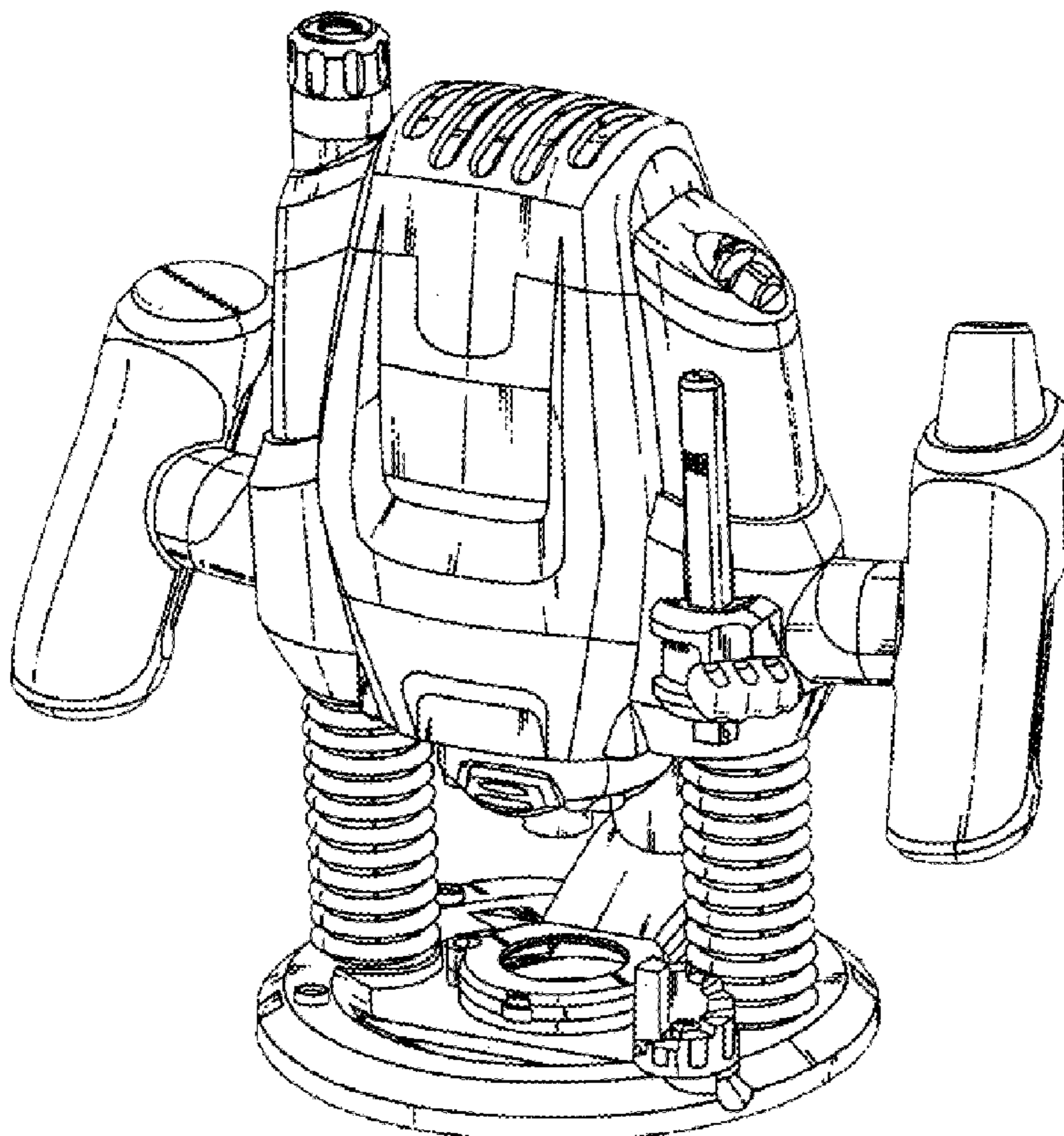
(57) **CLAIM**

The ornamental design for a router, as shown and described.

DESCRIPTION

FIG. 1 is a perspective view showing my new design;
 FIG. 2 is a front view thereof;
 FIG. 3 is a back view thereof;
 FIG. 4 is a bottom view thereof;
 FIG. 5 is a top view thereof;
 FIG. 6 is a left view thereof; and,
 FIG. 7 is a right view thereof.

1 Claim, 7 Drawing Sheets



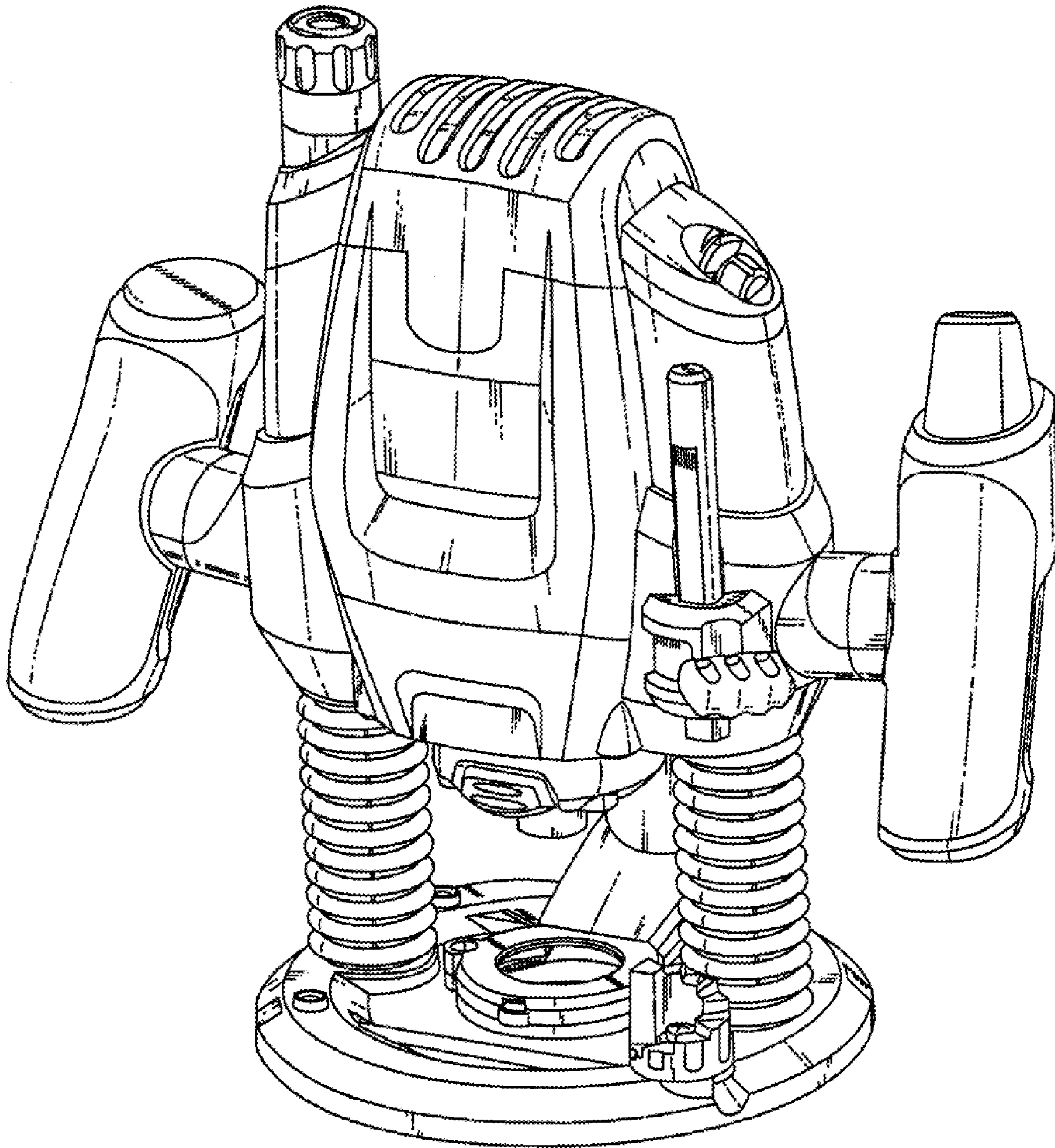


FIG.1

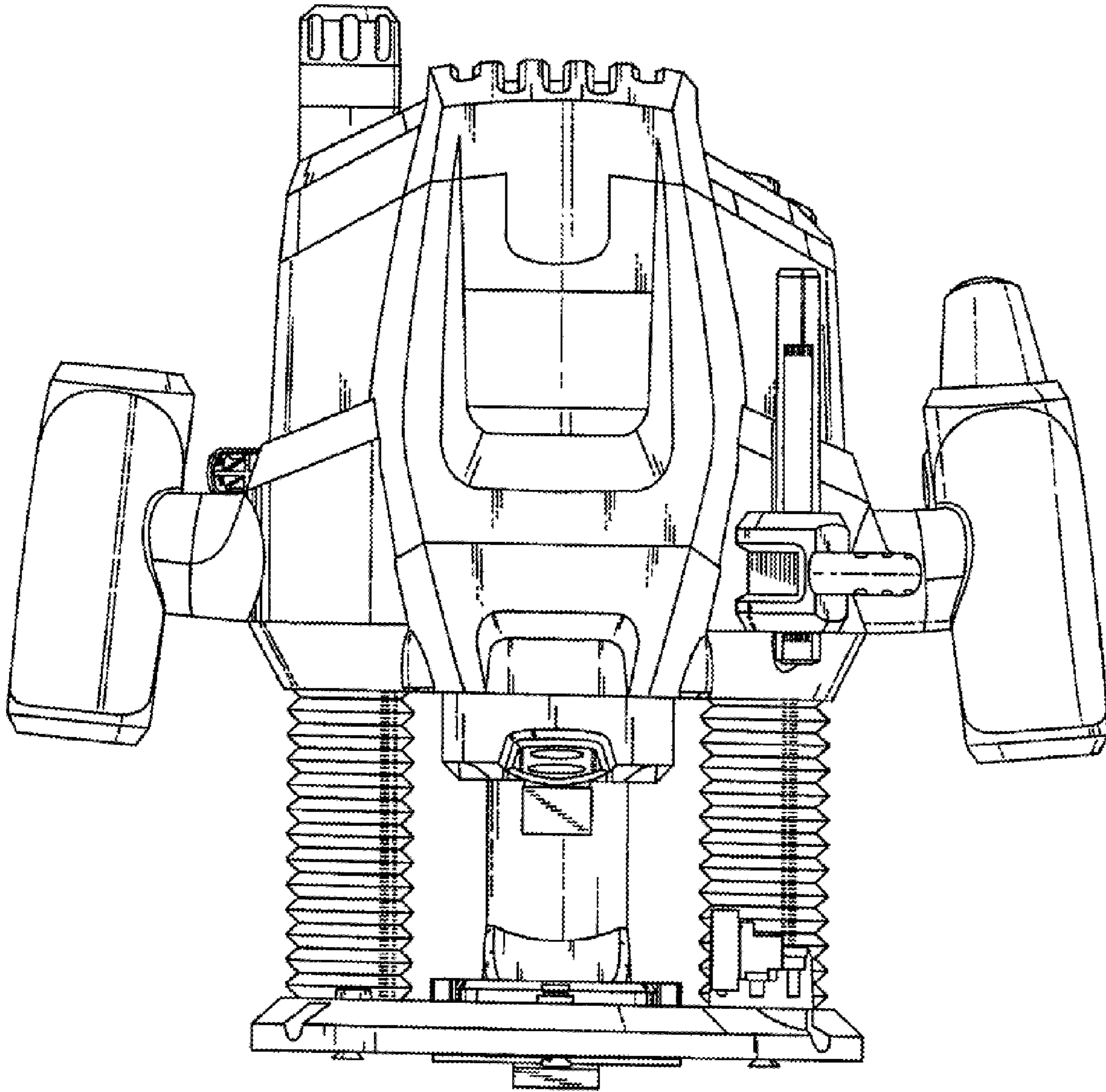


FIG. 2

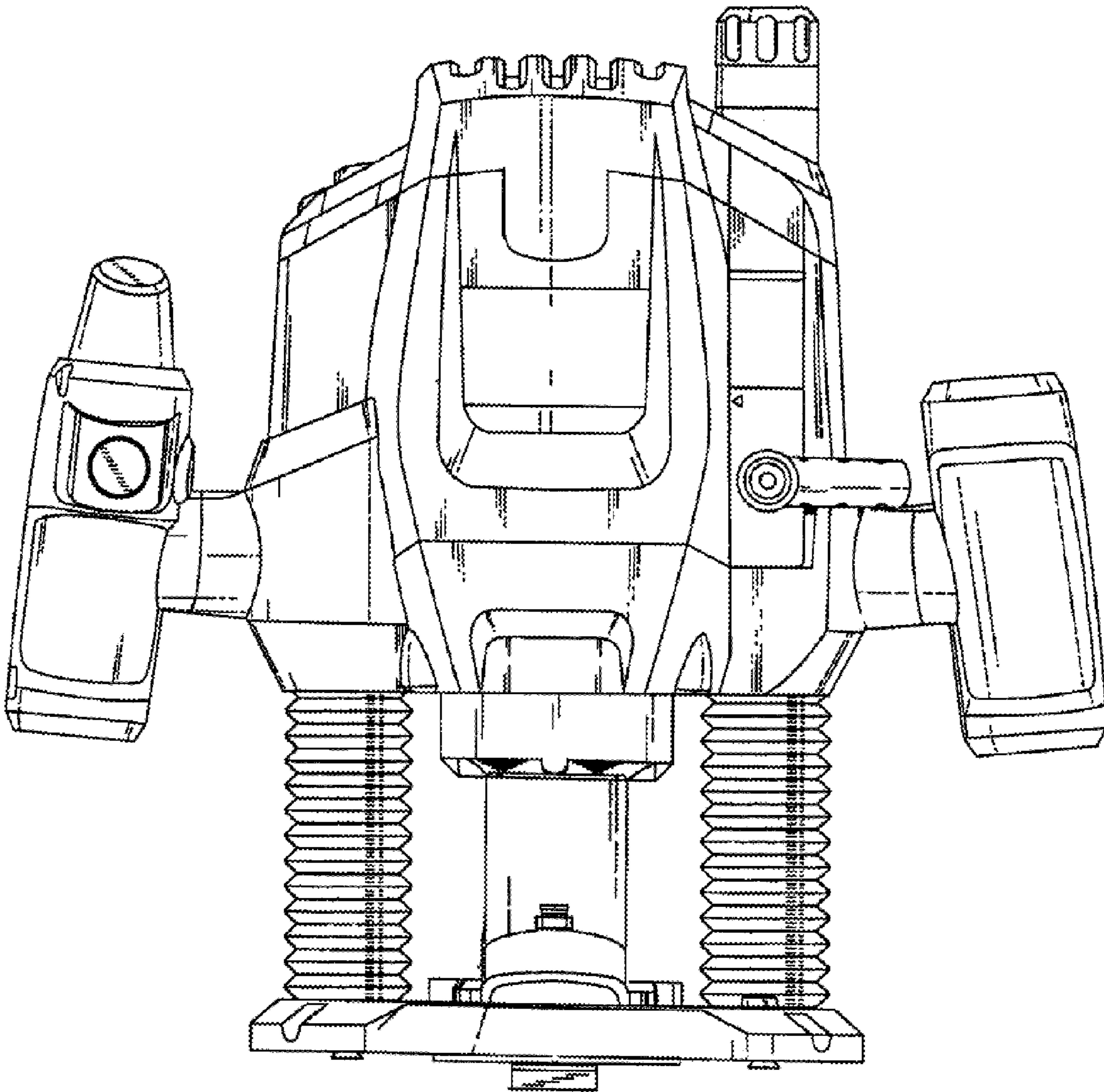


FIG. 3

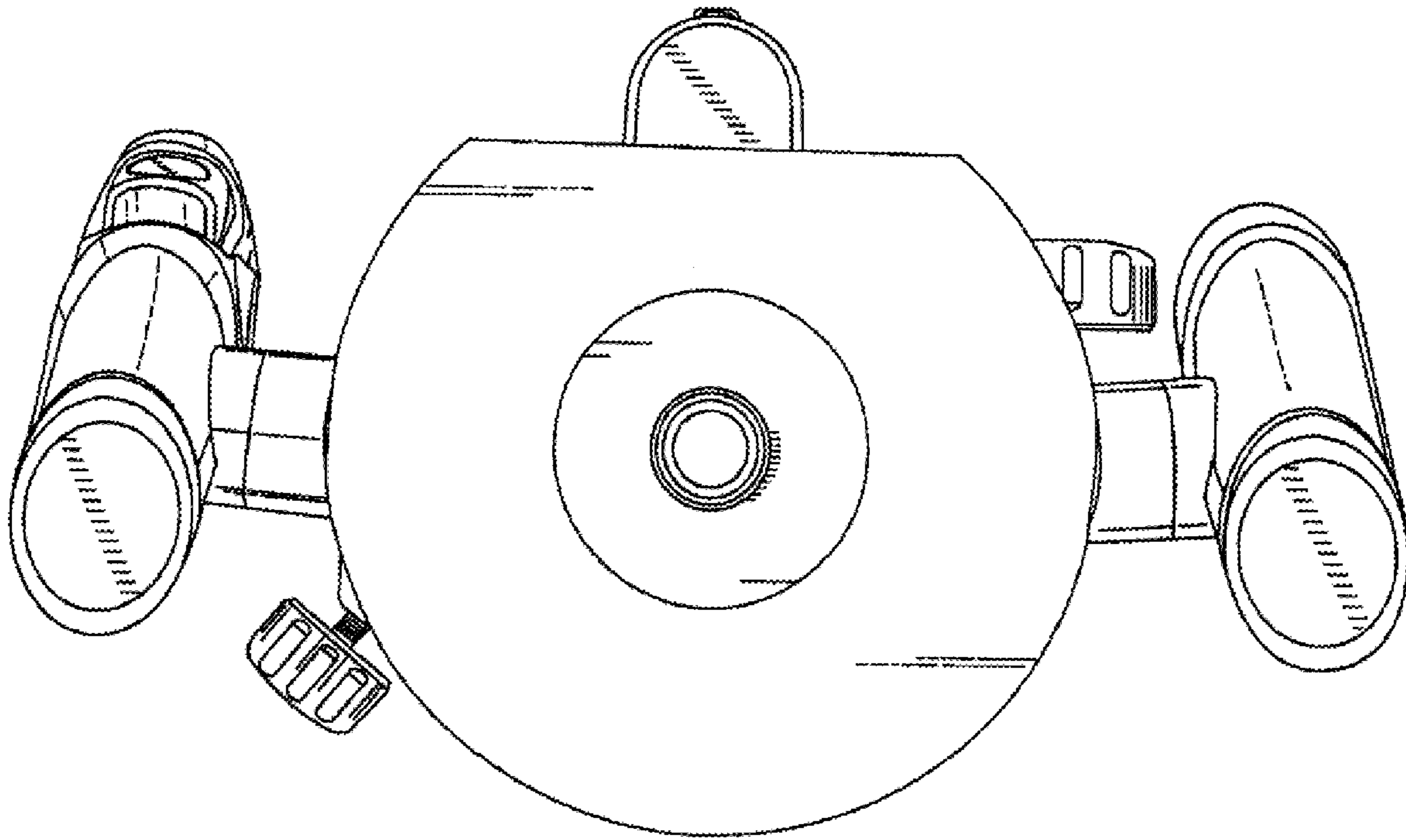


FIG. 4

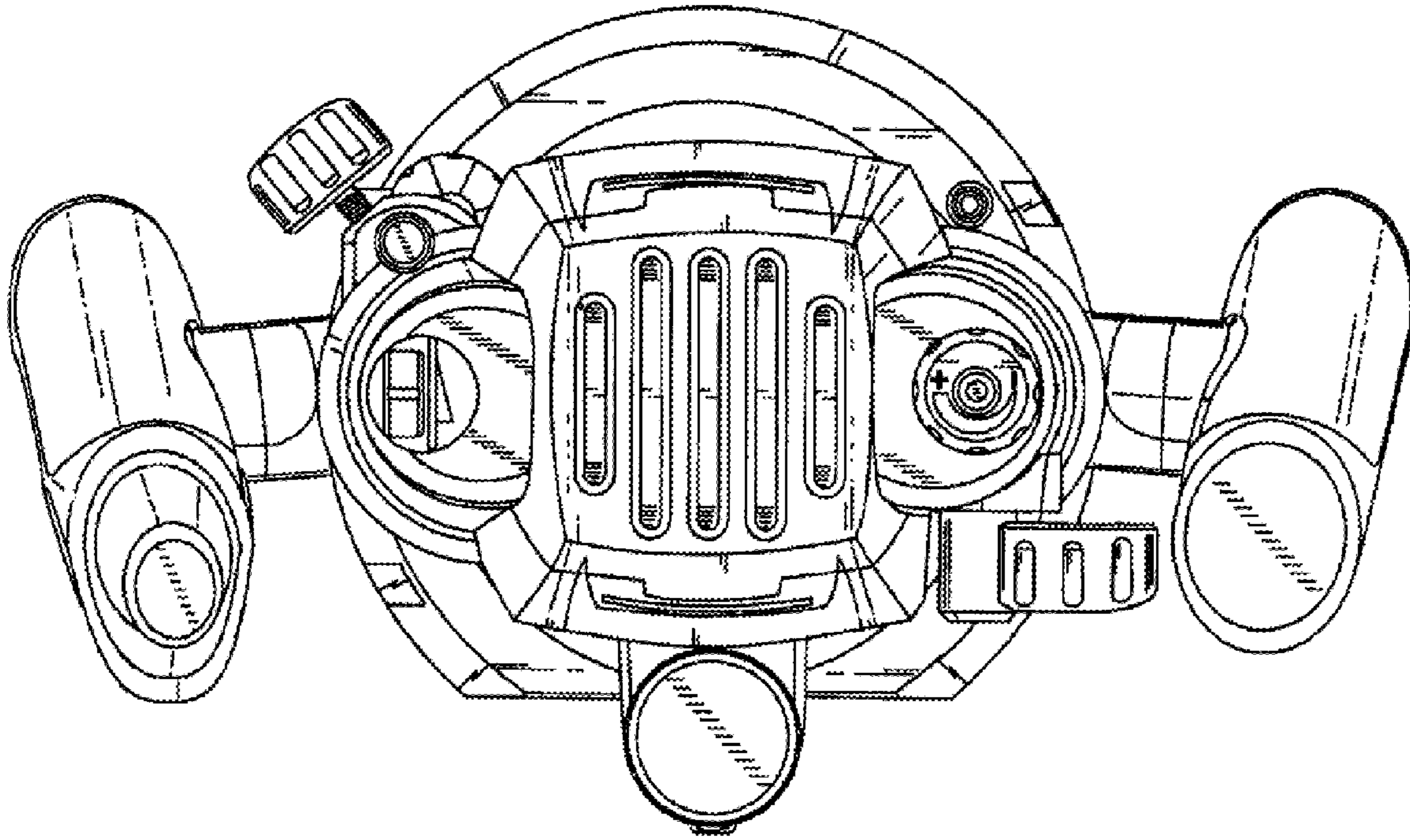


FIG. 5

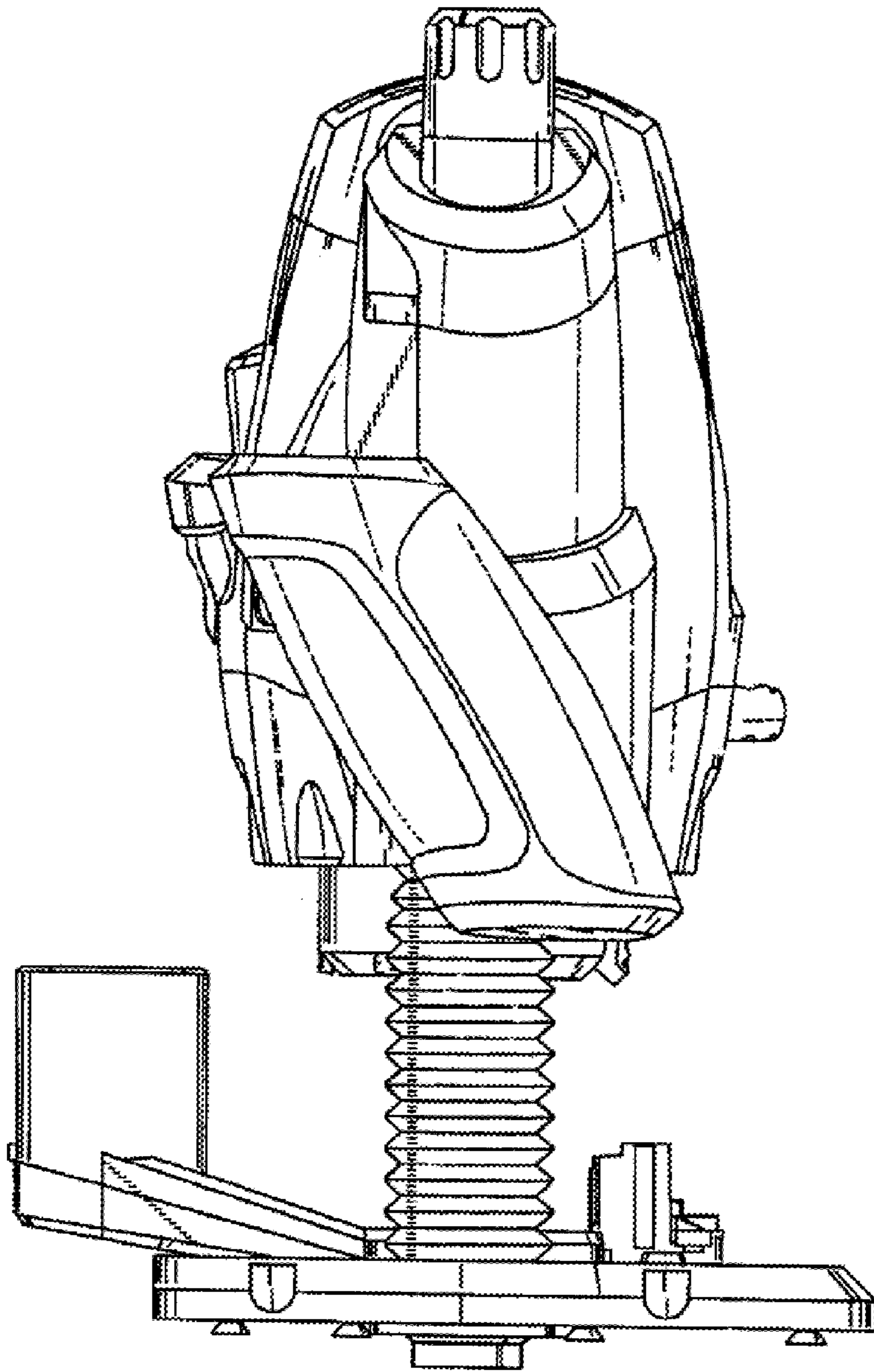


FIG. 6

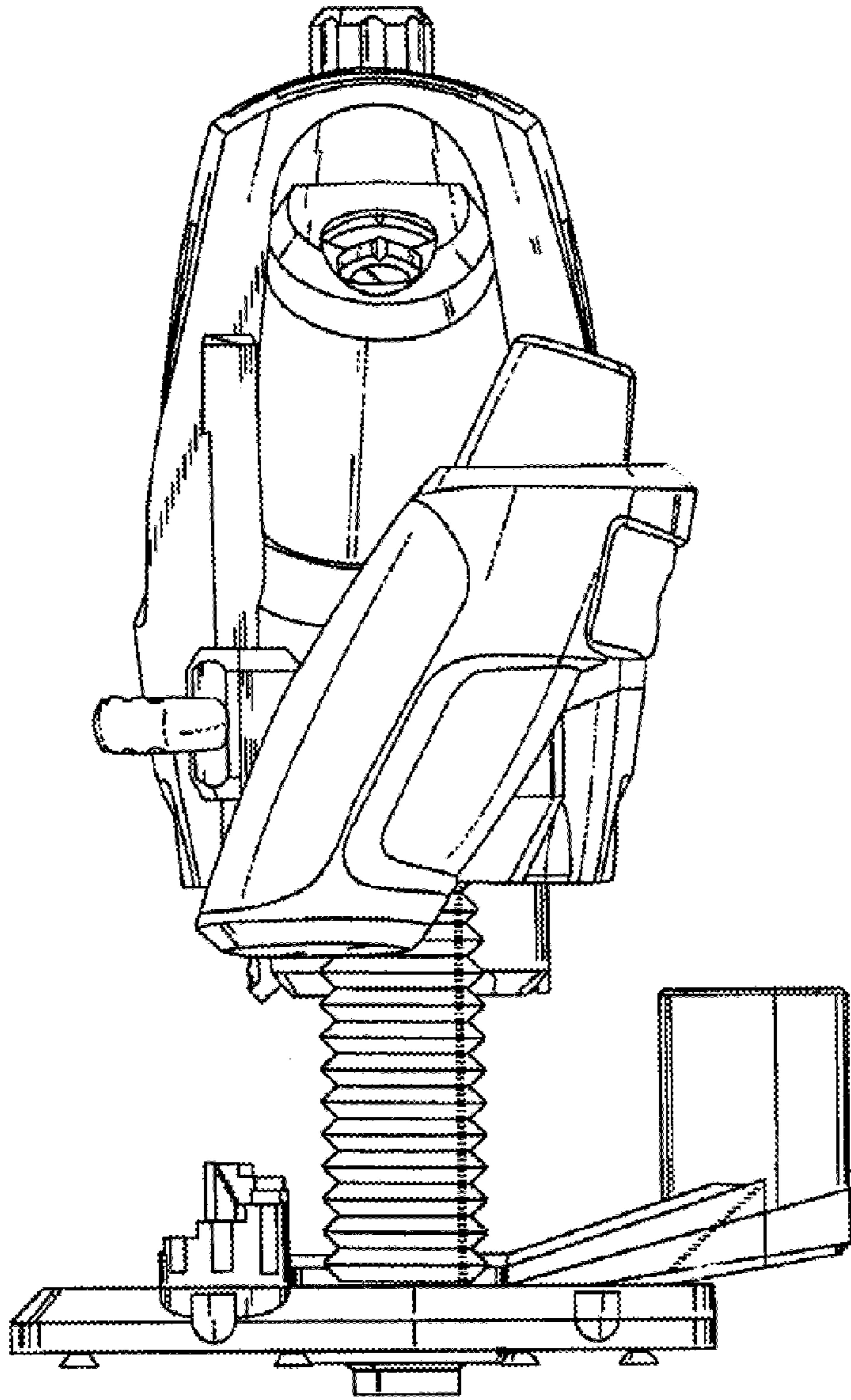


FIG. 7