

US00D531869S

(12) **United States Design Patent**
Netzler

(10) **Patent No.:** **US D531,869 S**

(45) **Date of Patent:** **** Nov. 14, 2006**

(54) **JIGSAW**

(75) Inventor: **Sion Netzler**, Newton Aycliffe (GB)

(73) Assignee: **Black & Decker Inc.**, Newark, DE (US)

(**) Term: **14 Years**

(21) Appl. No.: **29/251,364**

(22) Filed: **Jan. 9, 2006**

(30) **Foreign Application Priority Data**

Jul. 11, 2005 (EM) 000370028

(51) **LOC (8) Cl.** **08-03**

(52) **U.S. Cl.** **D8/64**

(58) **Field of Classification Search** D8/69,
D8/68, 67, 66, 64, 61; 83/747, 699.21; 310/50;
30/394, 393, 392, 391, 390, 377, 376; 173/217,
173/216

See application file for complete search history.

(56) **References Cited**

U.S. PATENT DOCUMENTS

D410,183 S * 5/1999 Thomson D8/69

D420,876 S * 2/2000 Bosten et al. D8/64

D426,124 S * 6/2000 Kassalen et al. D8/64

D446,703 S * 8/2001 Netzler D8/64

D454,476 S * 3/2002 Bruno D8/64

D462,591 S * 9/2002 Gist D8/64

D517,386 S * 3/2006 Parafinczuk et al. D8/64

D521,335 S * 5/2006 Parel et al. D8/64

* cited by examiner

Primary Examiner—Cathron C. Brooks

Assistant Examiner—Austin Murphy

(74) *Attorney, Agent, or Firm*—Mehul R. Jani; Adan Ayala; Charles E. Yocum

(57) **CLAIM**

The ornamental design for a jigsaw, as shown and described.

DESCRIPTION

FIG. 1 is a perspective view of a jigsaw showing the new design.

FIG. 2 is a front view thereof.

FIG. 3 is a rear view thereof.

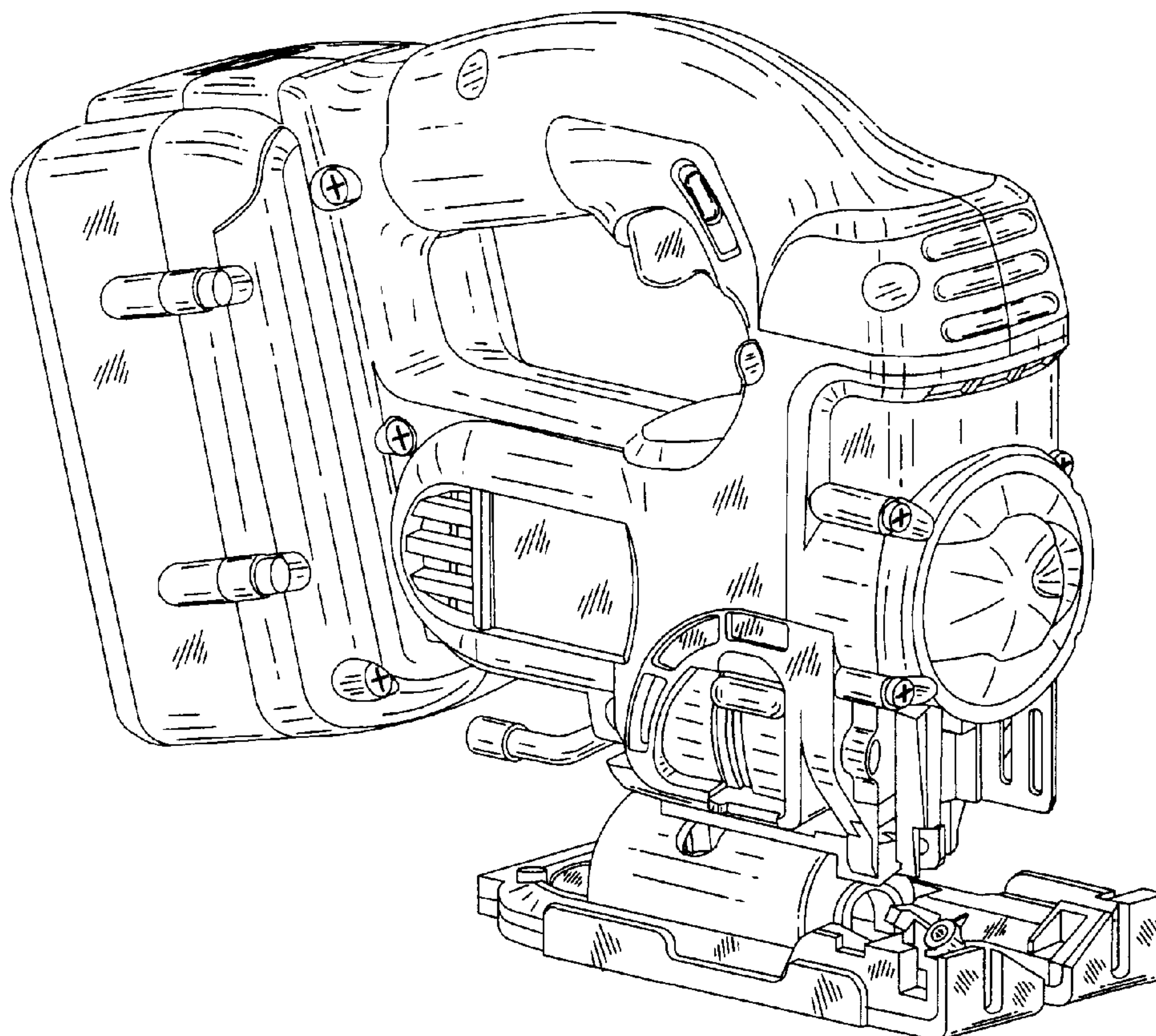
FIG. 4 is a left side view thereof.

FIG. 5 is a right side view thereof

FIG. 6 is a top view thereof; and,

FIG. 7 is a bottom view thereof.

1 Claim, 5 Drawing Sheets



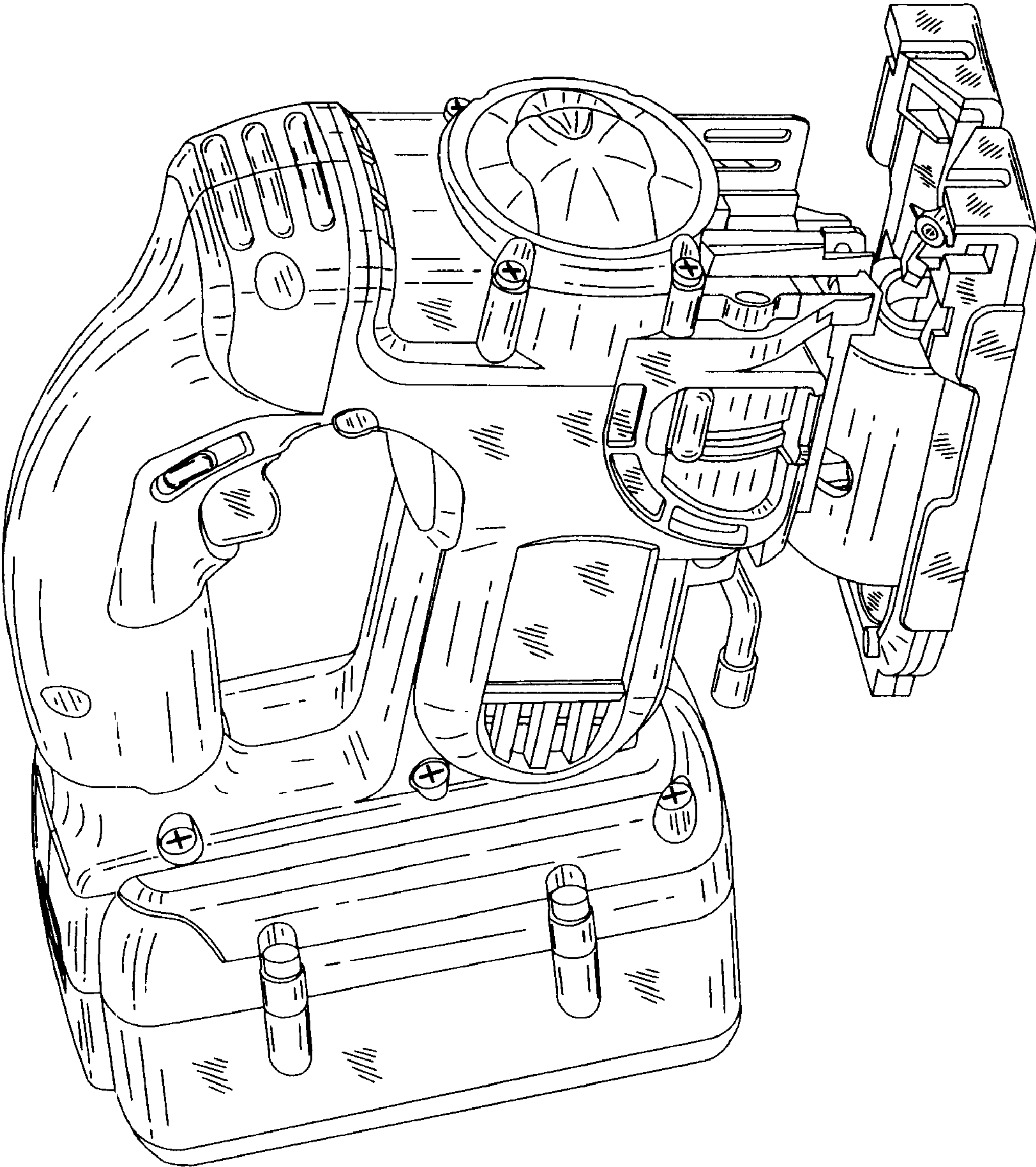


FIG.1

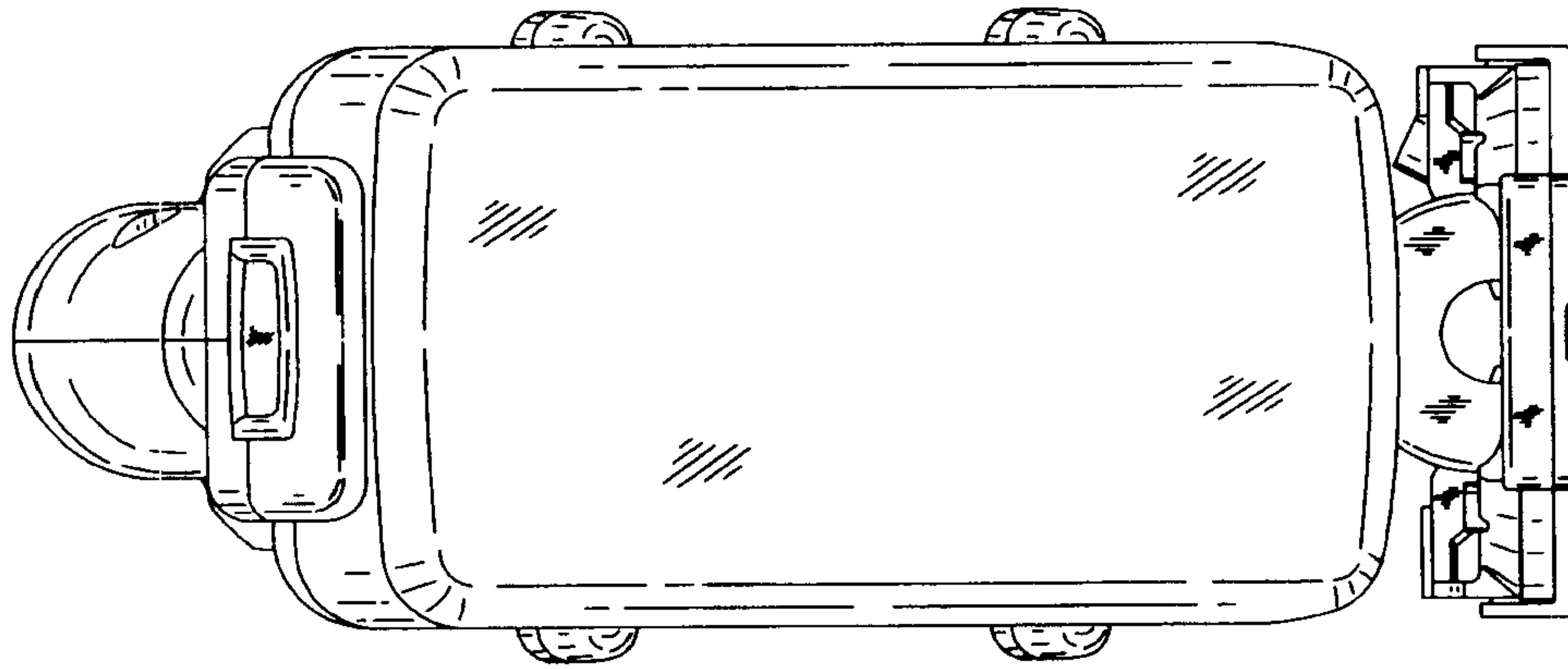


FIG.3

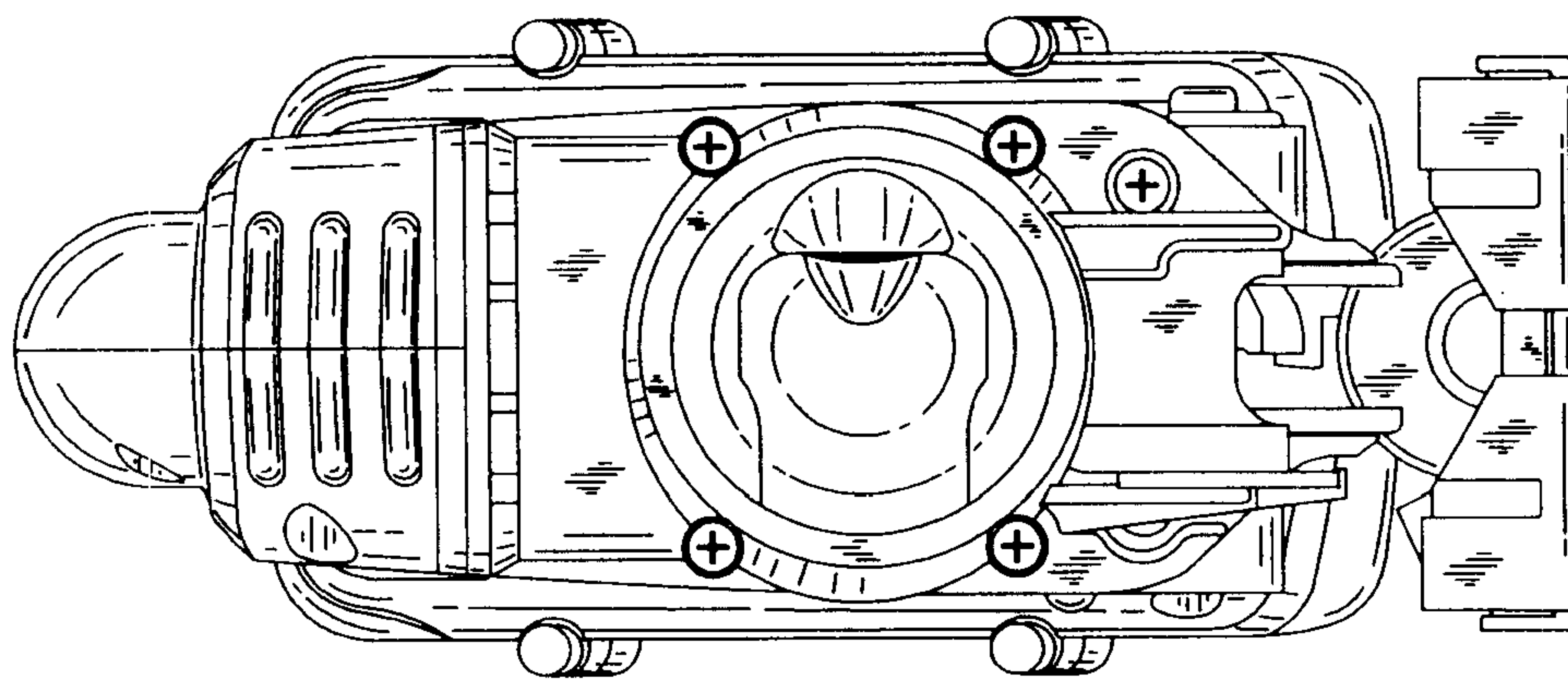


FIG.2

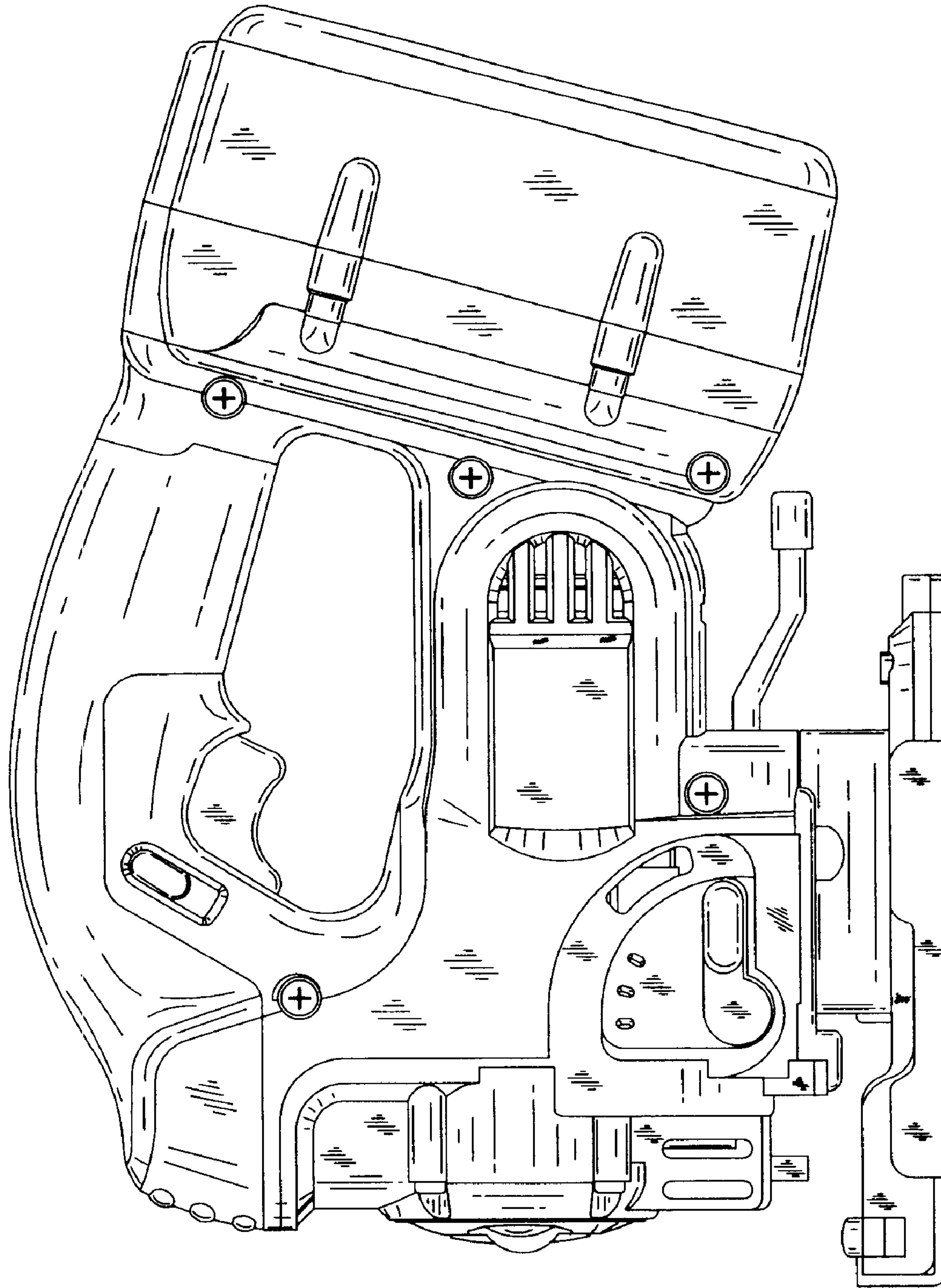


FIG.4

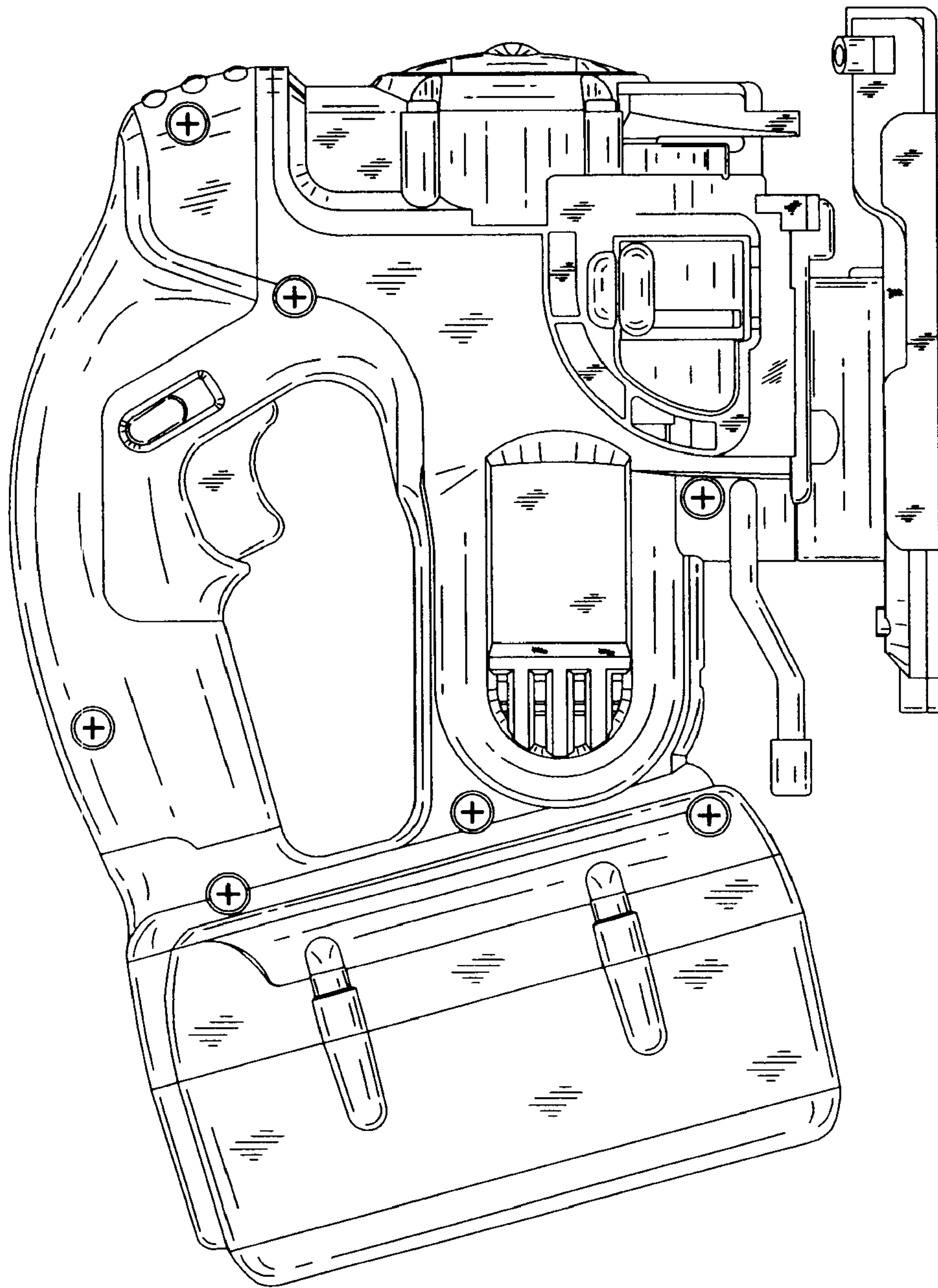


FIG.5

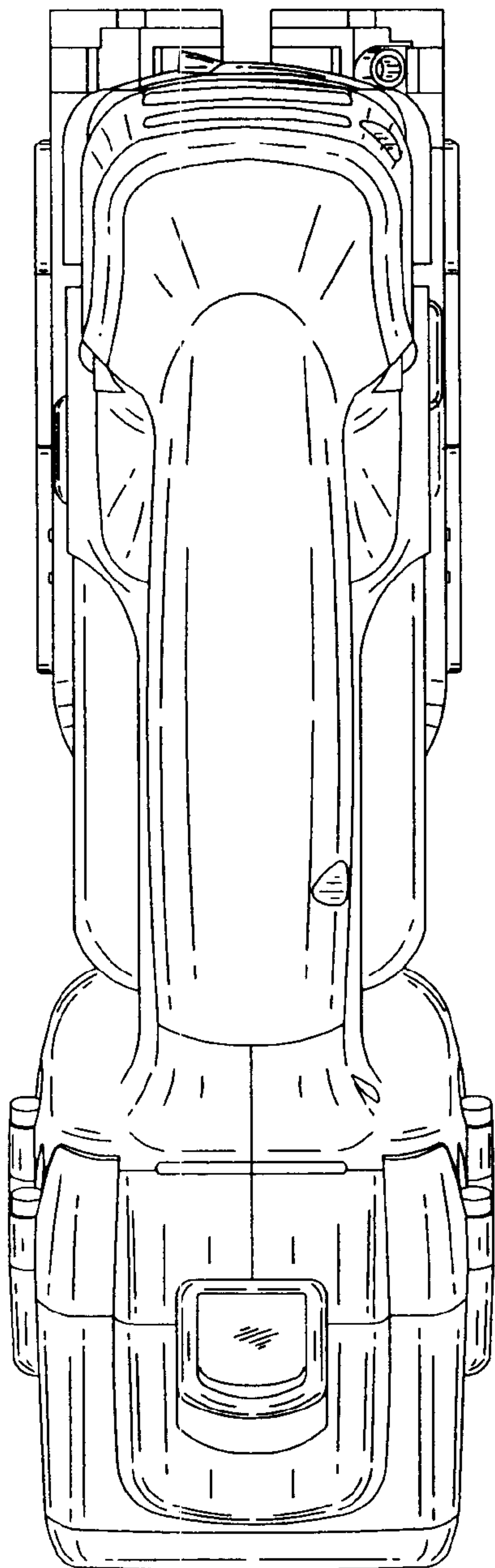


FIG. 6

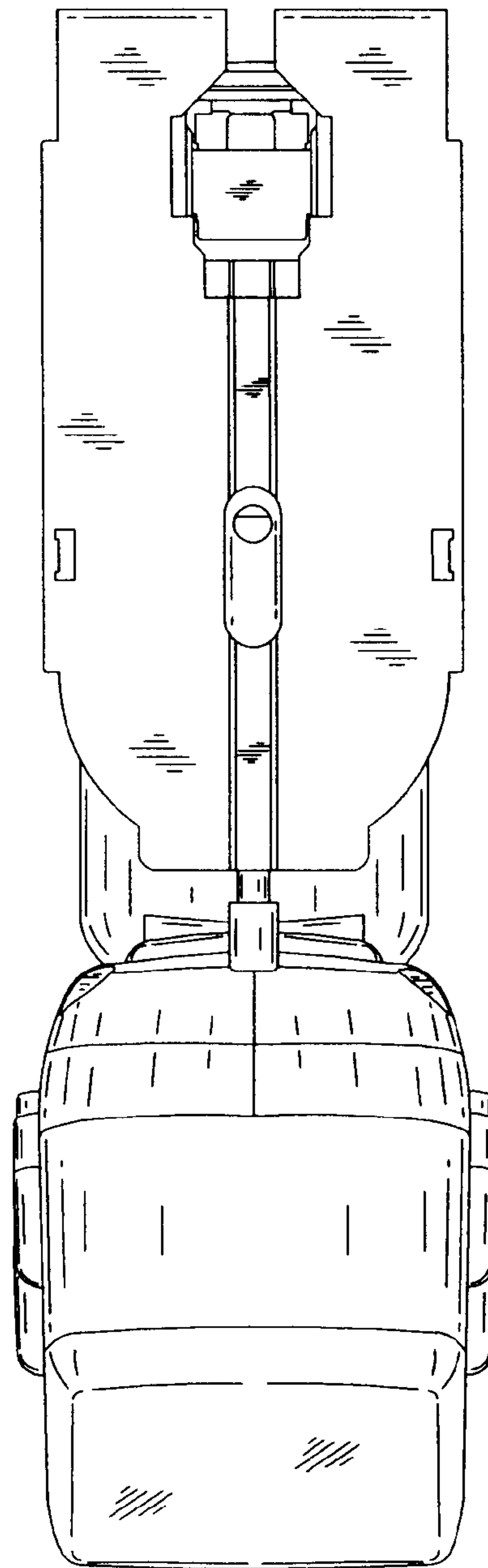


FIG. 7