



US00D531868S

(12) **United States Design Patent**
Zurwelle

(10) **Patent No.:** **US D531,868 S**

(45) **Date of Patent:** **** Nov. 14, 2006**

(54) **POWER TOOL**

(75) **Inventor:** **Donald W. Zurwelle**, Lutherville, MD
(US)

(73) **Assignee:** **Black & Decker Inc.**, Newark, DE
(US)

(**) **Term:** **14 Years**

(21) **Appl. No.:** **29/221,400**

(22) **Filed:** **Jan. 14, 2005**

(51) **LOC (8) Cl.** **08-01**

(52) **U.S. Cl.** **D8/62**

(58) **Field of Classification Search** D8/61,
D8/62, 67, 69; 173/168, 169, 170, 171; 310/50;
451/294, 344, 351, 353, 354, 355, 356, 357,
451/358, 359

See application file for complete search history.

(56) **References Cited**

U.S. PATENT DOCUMENTS

D295,824 S	*	5/1988	Hoshino et al.	D8/62
D301,830 S	*	6/1989	Ogawa et al.	D8/62
D347,153 S	*	5/1994	Uneyama	D8/62
D351,772 S	*	10/1994	Price	D8/62
D378,183 S	*	2/1997	Dognini	D8/62
D402,870 S	*	12/1998	Etter et al.	D8/62
D408,244 S	*	4/1999	Price	D8/62
D423,898 S	*	5/2000	Kelley	D8/64
D433,906 S	*	11/2000	Heun	D8/62
6,306,024 B1	*	10/2001	Kai et al.	451/357
D450,989 S	*	11/2001	Schoen	D8/62
D453,098 S	*	1/2002	Pretzell	D8/62
D479,452 S	*	9/2003	Cho	D8/62
D479,679 S	*	9/2003	Wright	D8/62

D491,033 S	*	6/2004	Bian	D8/62
D494,827 S	*	8/2004	Liu	D8/62
D500,945 S	*	1/2005	Wright	D8/62
2004/0203330 A1	*	10/2004	Kleider	451/359

* cited by examiner

Primary Examiner—Elizabeth A. Albert

(74) *Attorney, Agent, or Firm*—Mehul R. Jani; Adan Ayala;
Charles E. Yocum

(57) **CLAIM**

The ornamental design for a power tool, as shown and described.

DESCRIPTION

FIG. 1 is a rear perspective view of a power tool showing my new design;

FIG. 2 is a front elevational view thereof;

FIG. 3 is a rear elevational view thereof;

FIG. 4 is a left side elevational view thereof;

FIG. 5 is a right side elevational view thereof;

FIG. 6 is a top plan view thereof;

FIG. 7 is a bottom plan view thereof;

FIG. 8 is a rear perspective view of the power tool of FIG. 1 without the unclaimed environmental structure shown in FIGS. 1–7;

FIG. 9 is a front elevational view thereof;

FIG. 10 is a rear elevational view thereof;

FIG. 11 is a left side elevational view thereof;

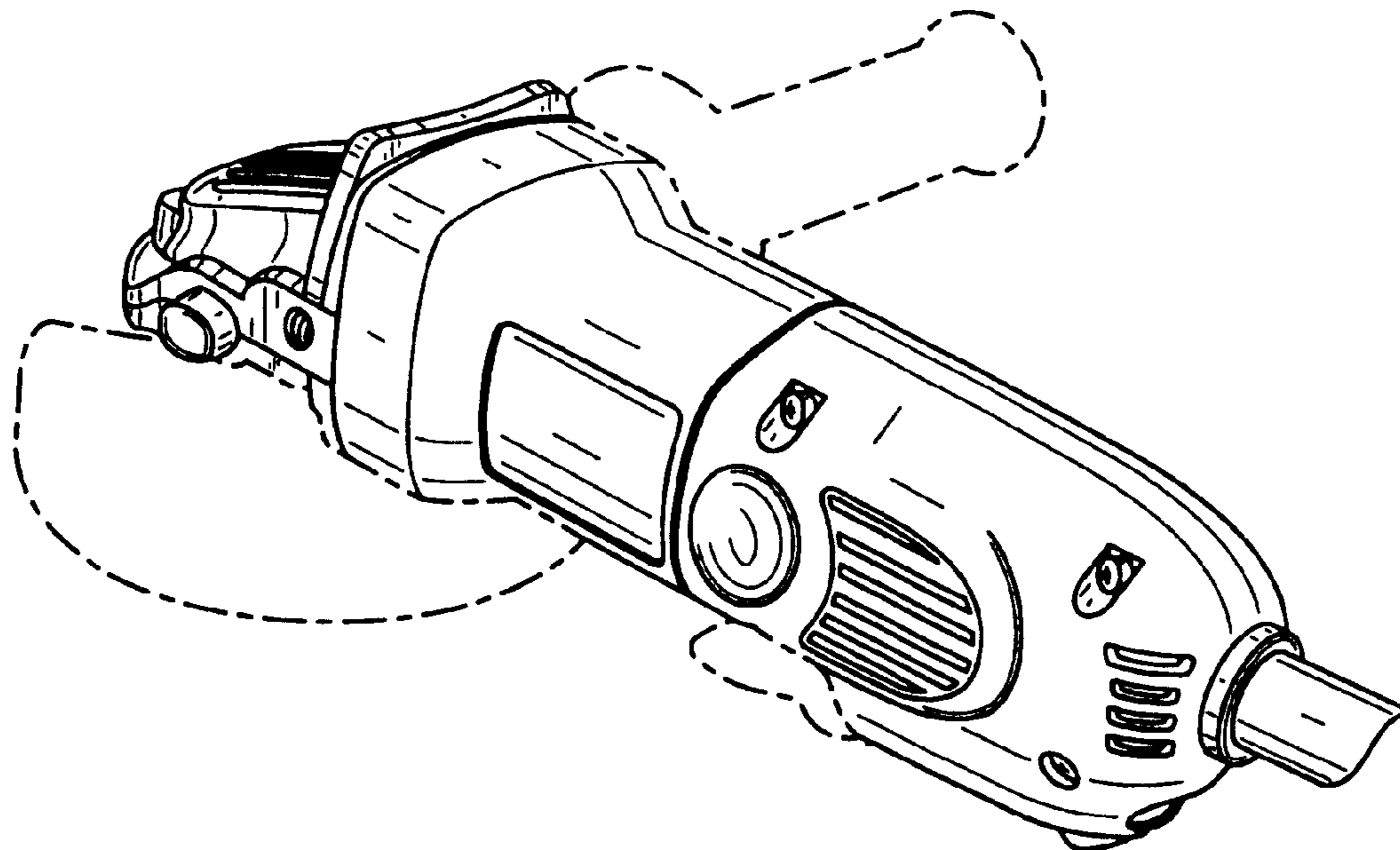
FIG. 12 is a right side elevational view thereof;

FIG. 13 is a top plan view thereof; and,

FIG. 14 is a bottom plan view thereof.

The broken lines showing environment in the drawings are for information purposes only and form no part of the claimed design.

1 Claim, 14 Drawing Sheets



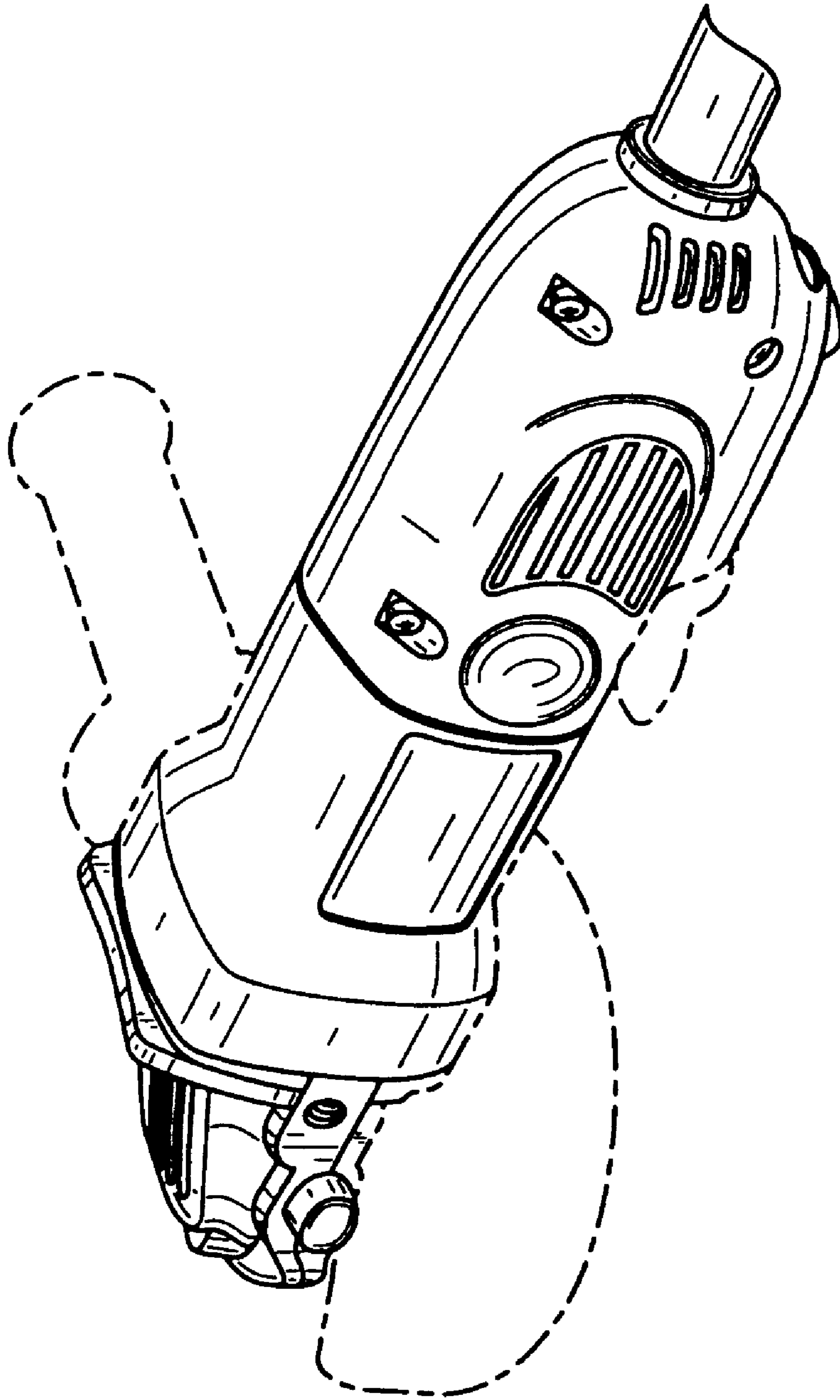


FIG. 1

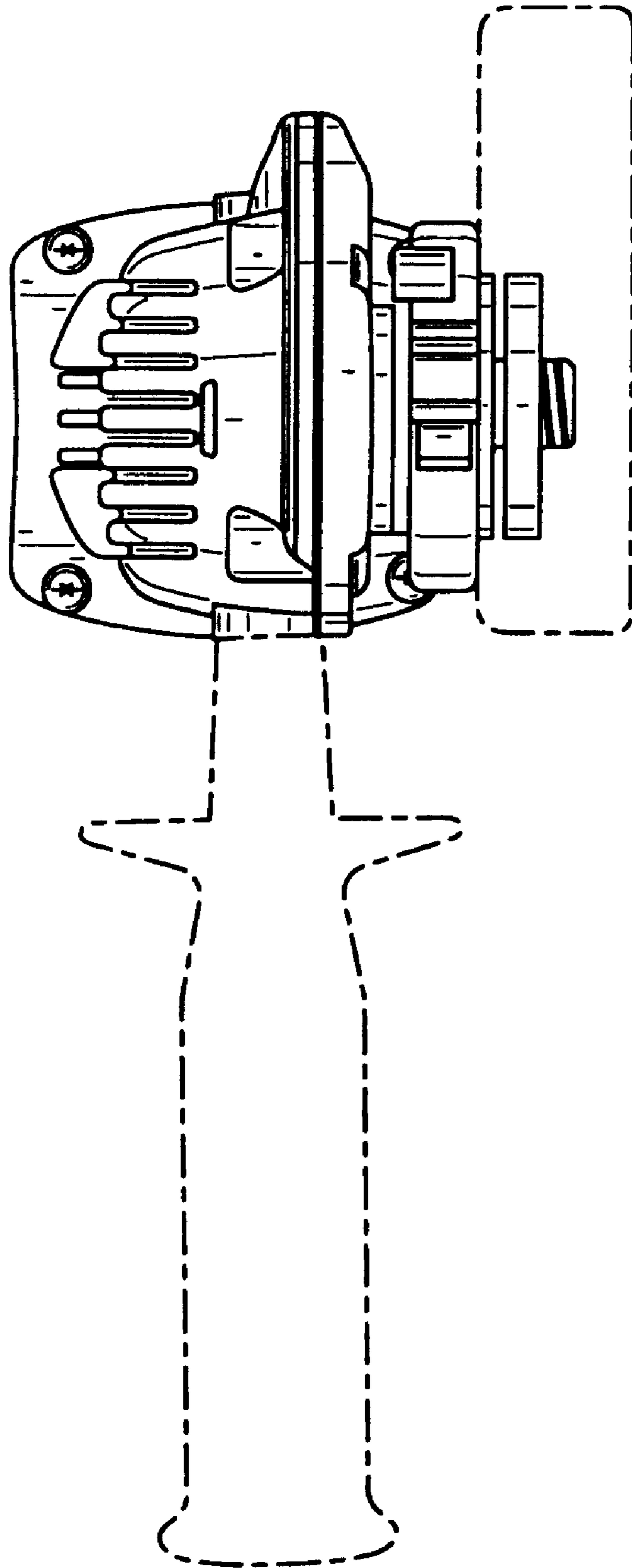


FIG. 2

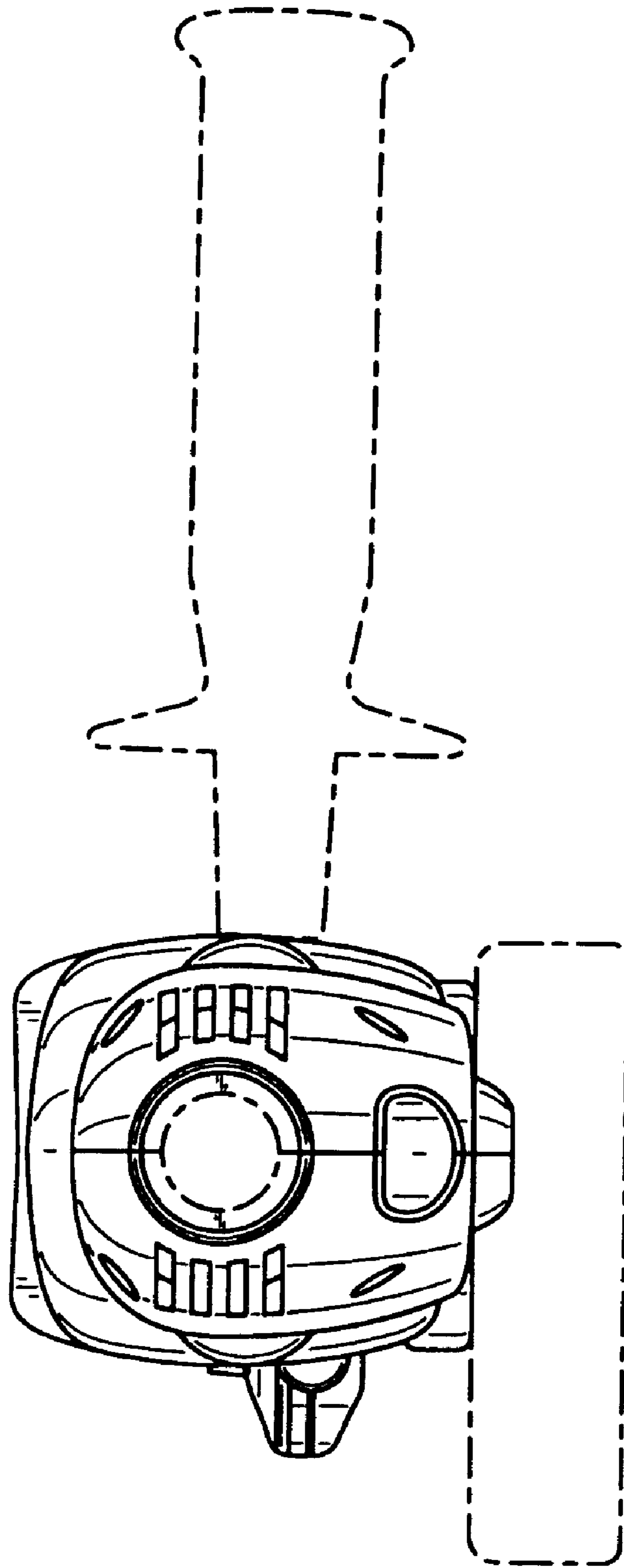


FIG. 3

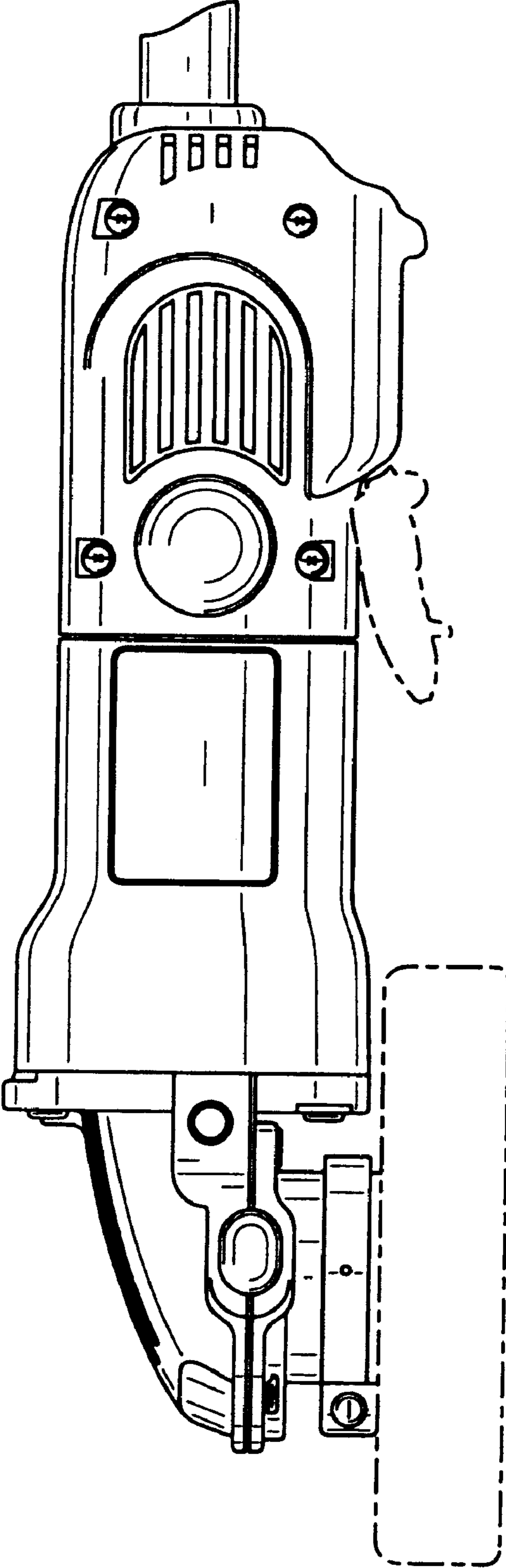


FIG. 4

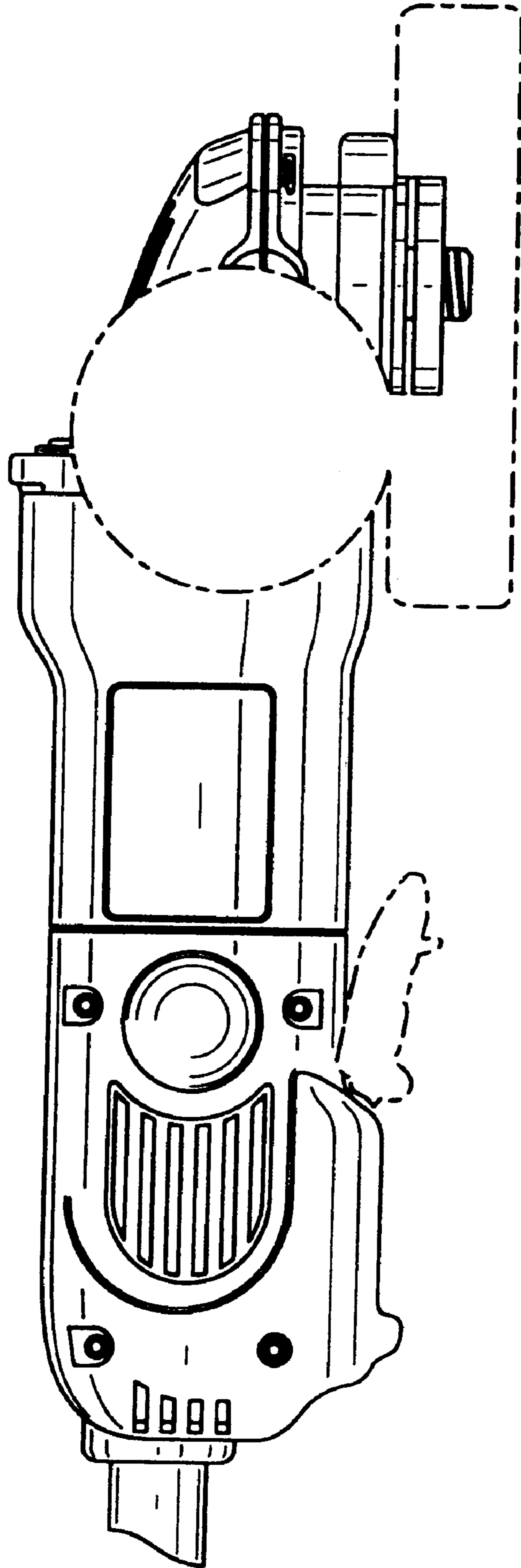


FIG. 5

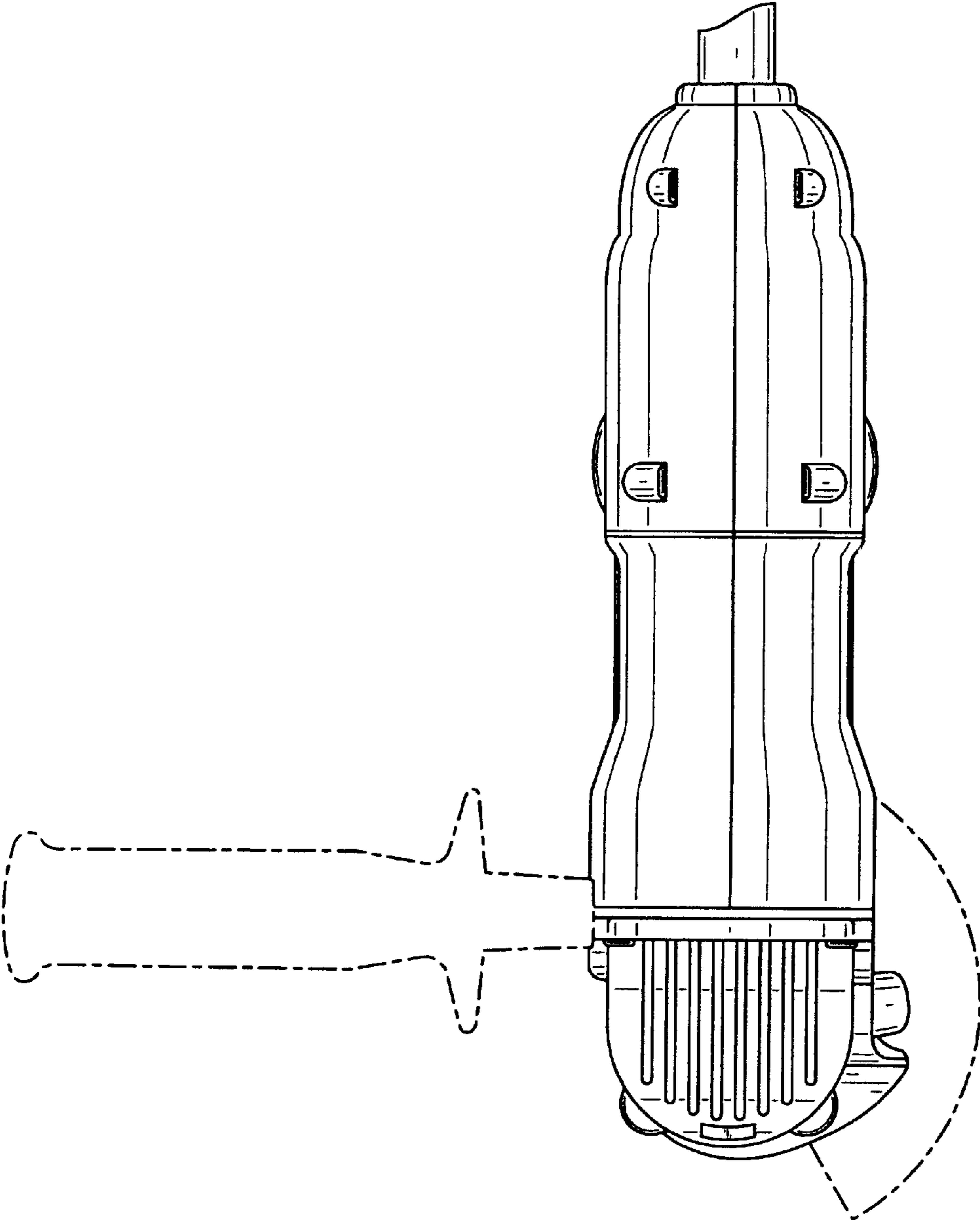


FIG. 6

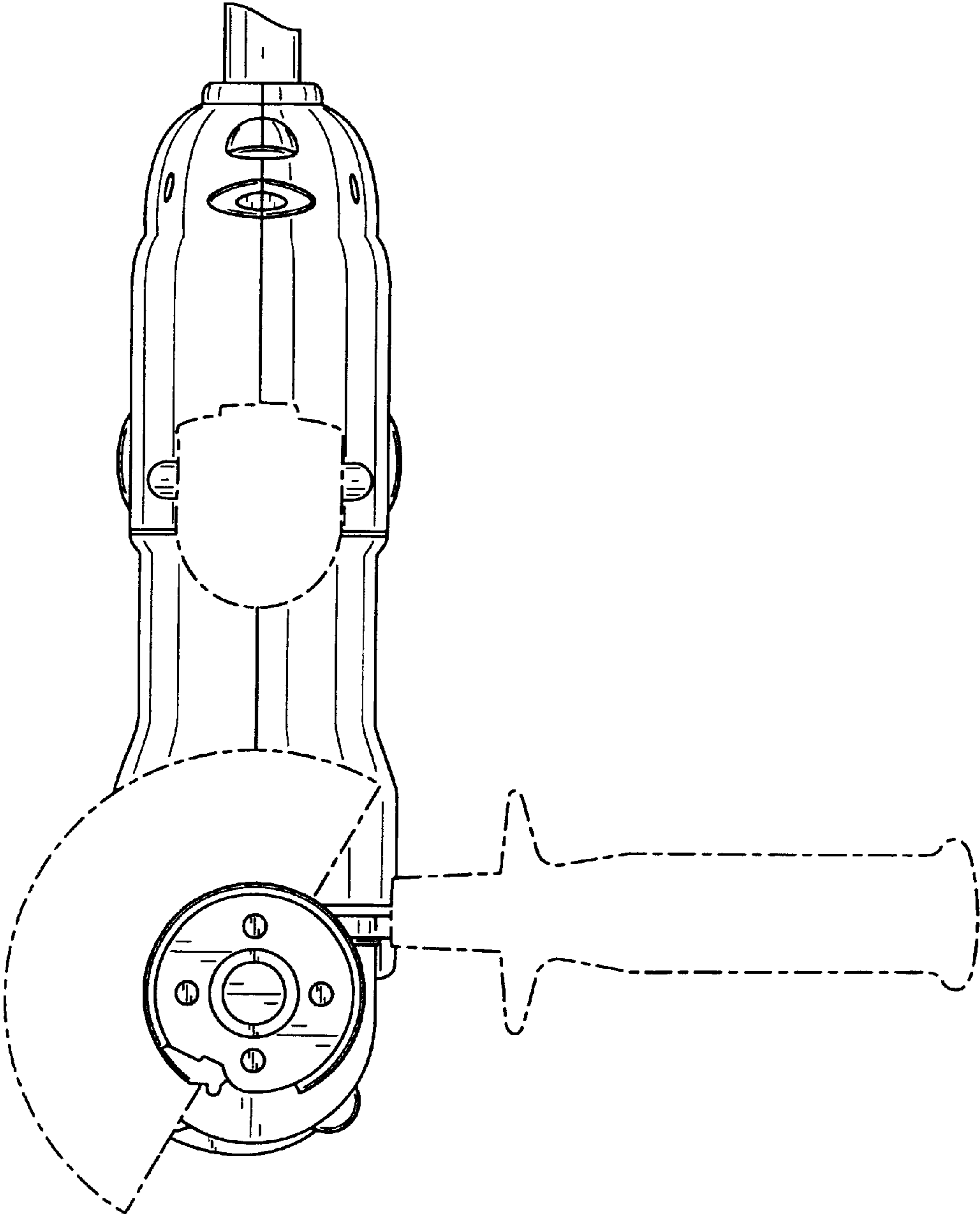


FIG. 7

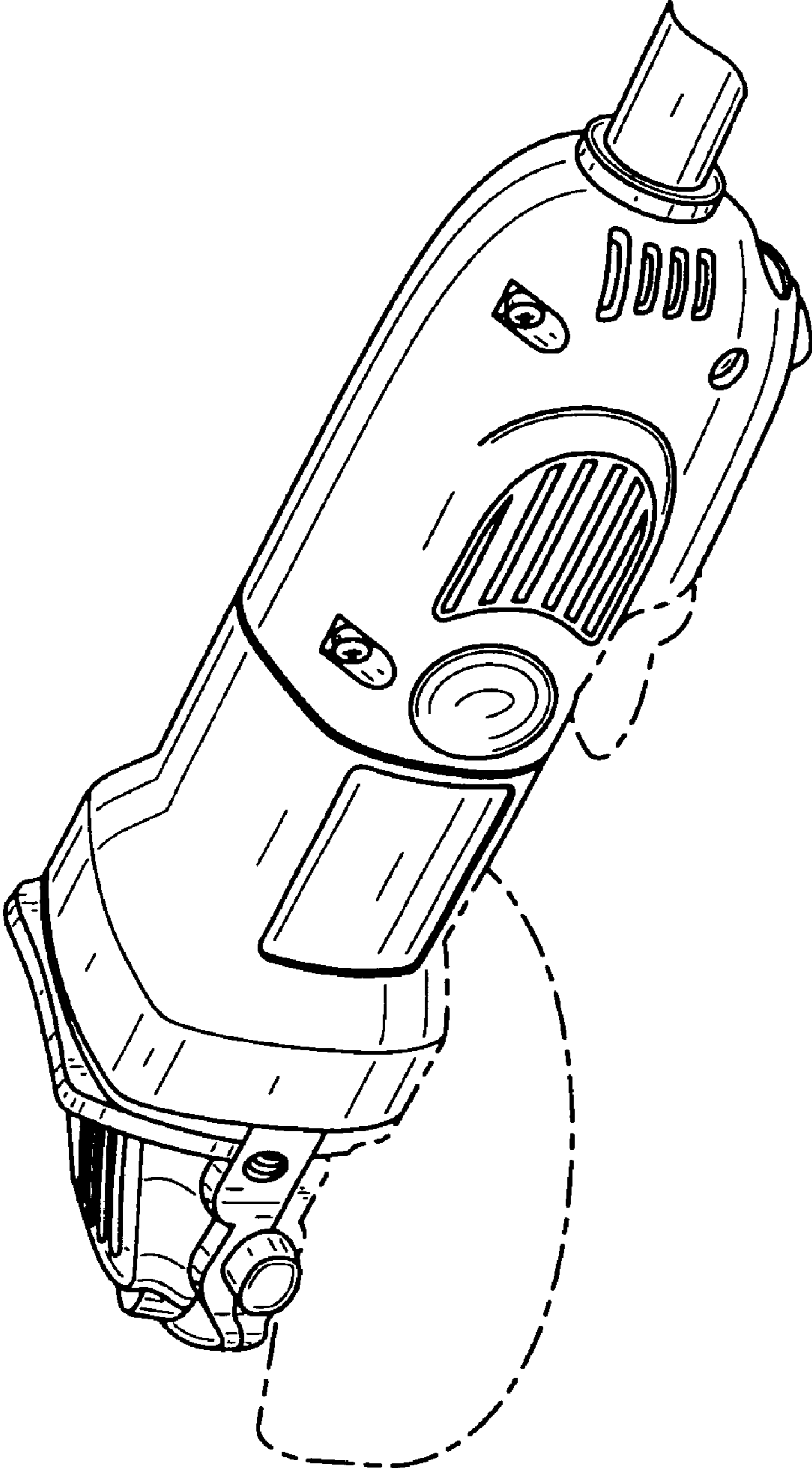


FIG. 8

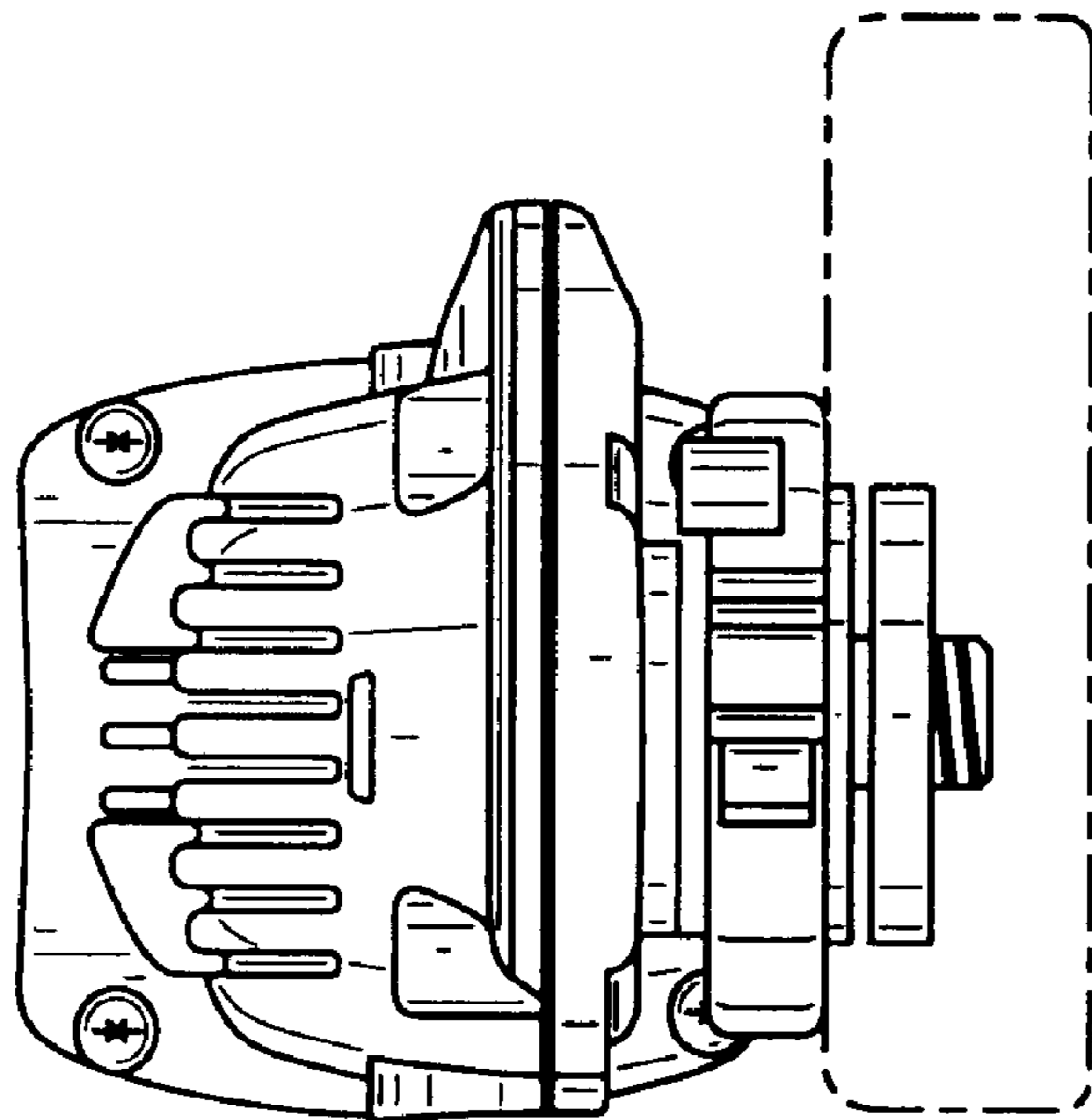


FIG. 9

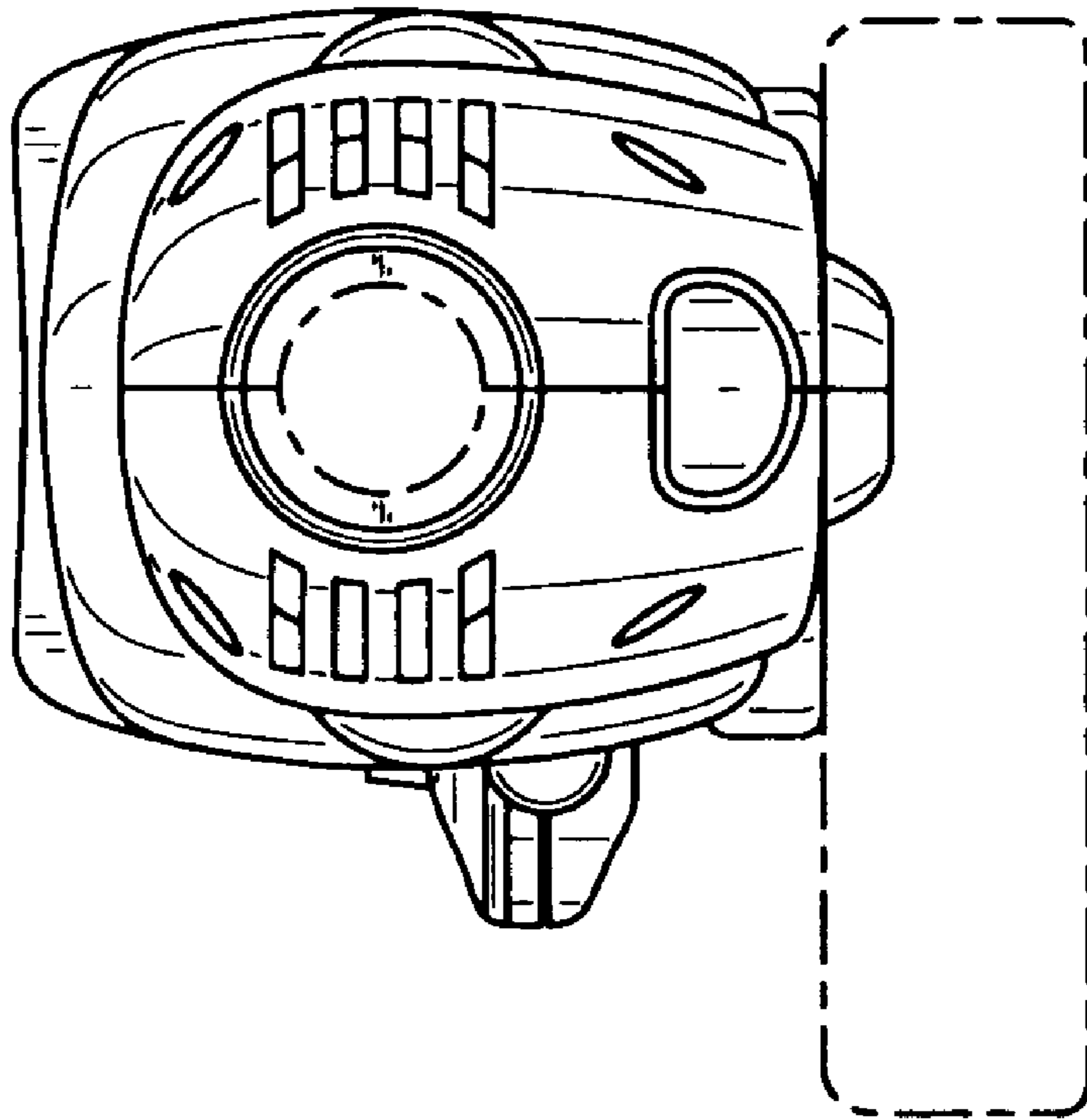


FIG. 10

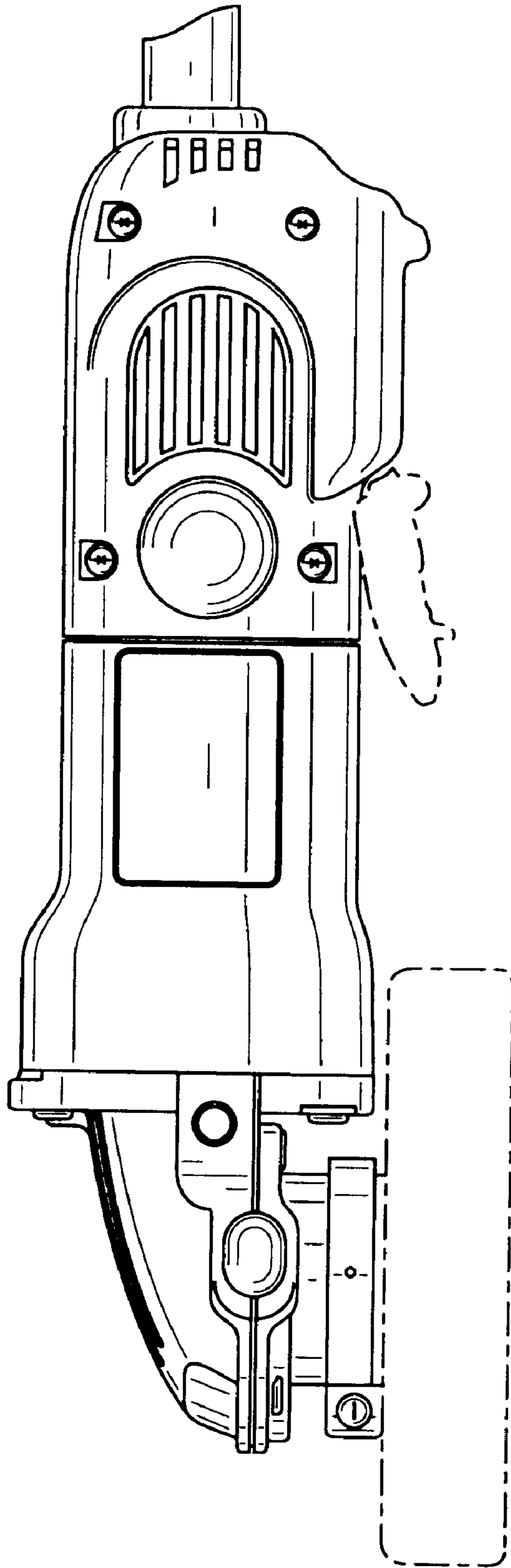


FIG. 11

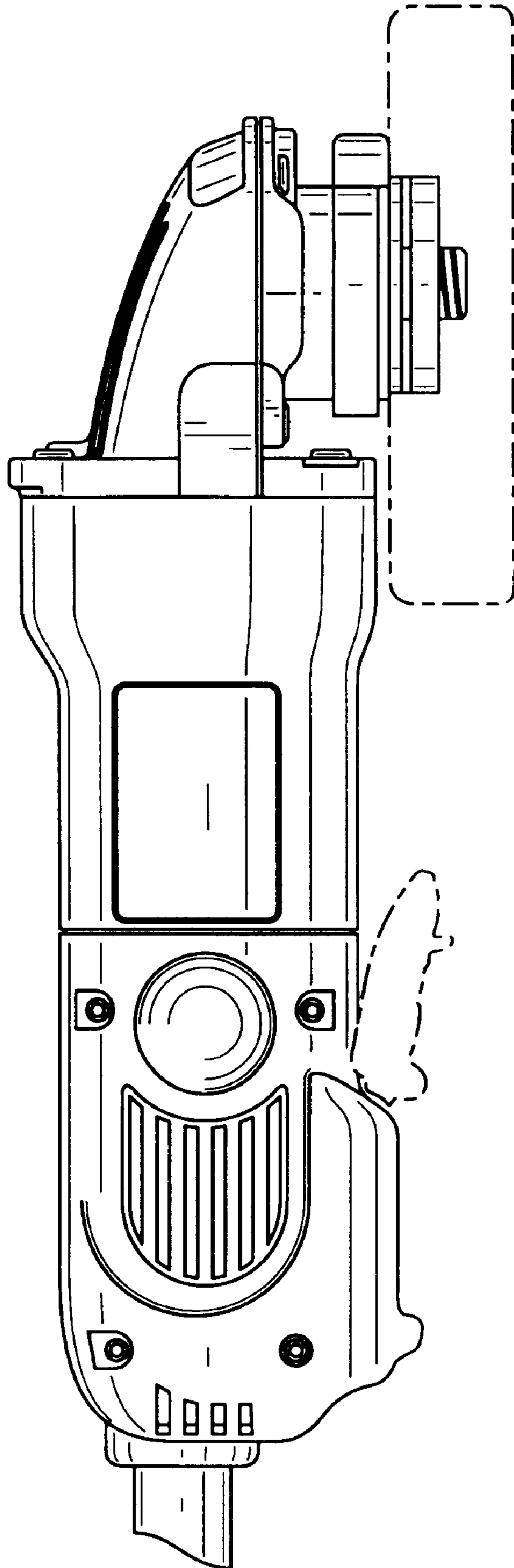


FIG. 12

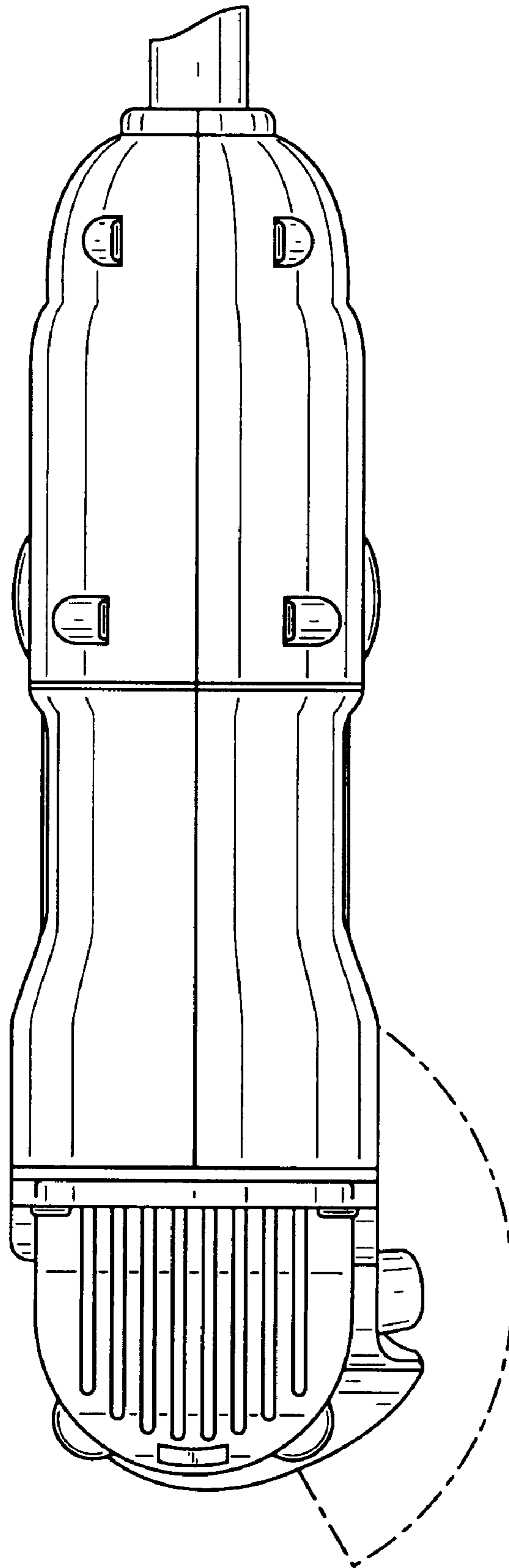


FIG. 13

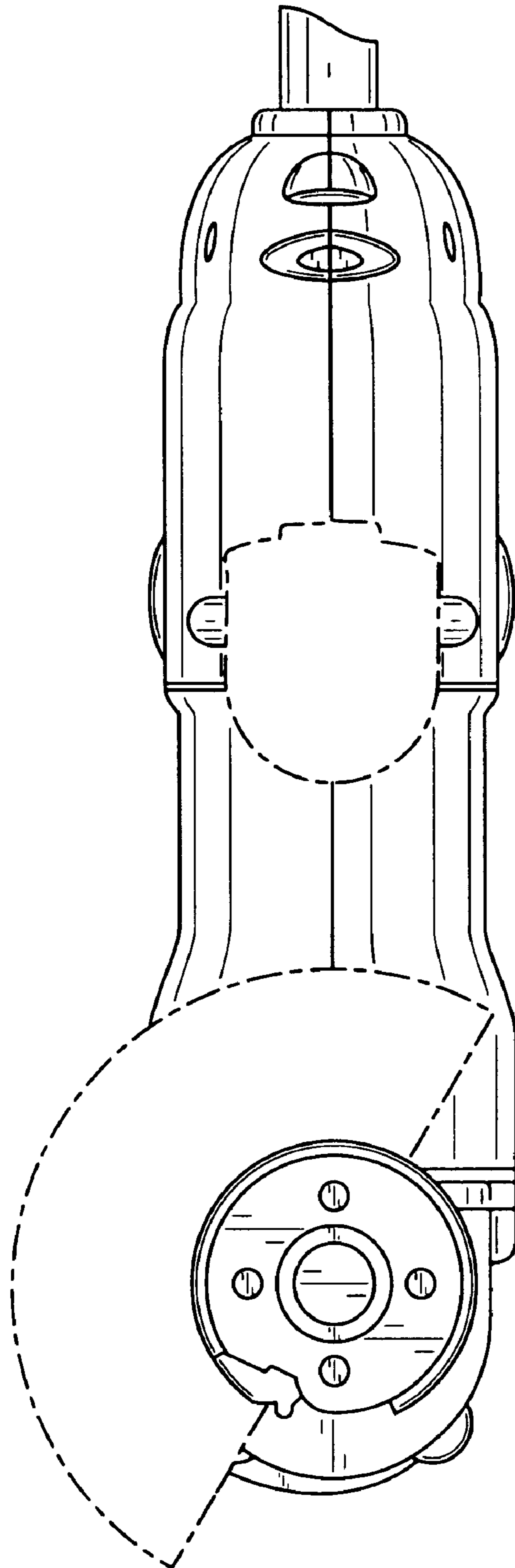


FIG. 14