



US00D531867S

(12) **United States Design Patent**
Payne et al.

(10) **Patent No.:** **US D531,867 S**

(45) **Date of Patent:** **** Nov. 14, 2006**

(54) **HANDHELD HYDRAULIC SHEARS**

(76) Inventors: **Jackie D. Payne**, 4034 County Road
357, Hawley, TX (US) 79525; **Wayne**
E. Newman, 933 S. Leggett St.,
Abilene, TX (US) 79605

(**) Term: **14 Years**

(21) Appl. No.: **29/237,505**

(22) Filed: **Sep. 2, 2005**

(51) **LOC (8) Cl.** **08-03**

(52) **U.S. Cl.** **D8/61**

(58) **Field of Classification Search** D8/70,
D8/69, 68, 61, 5; D28/53, 54; 30/180, 228,
30/92, 216, 102; 119/610; 173/170

See application file for complete search history.

(56) **References Cited**

U.S. PATENT DOCUMENTS

2,513,842	A	*	7/1950	Cann	30/102
2,722,740	A	*	11/1955	Hubbard	30/182
4,198,748	A		4/1980	Lewis		
4,608,754	A		9/1986	Kloster		
5,070,616	A	*	12/1991	Chen	30/92

5,125,158	A		6/1992	Casebolt et al.		
5,203,083	A	*	4/1993	Domonoske	30/92
5,711,078	A		1/1998	Patton et al.		
6,055,732	A	*	5/2000	Hu	30/102
6,553,670	B1	*	4/2003	Chang	30/92
6,928,739	B1	*	8/2005	Jirele et al.	30/182

* cited by examiner

Primary Examiner—Cathron C. Brooks

Assistant Examiner—Austin Murphy

(74) *Attorney, Agent, or Firm*—Stephen R. Greiner

(57) **CLAIM**

The ornamental design for handheld hydraulic shears, as shown and described.

DESCRIPTION

FIG. 1 is a perspective view of handheld hydraulic shears showing our new design;

FIG. 2 is a right side elevational view thereof;

FIG. 3 is a top view thereof;

FIG. 4 is a bottom view thereof;

FIG. 5 is a front elevational view thereof;

FIG. 6 is a rear elevational view thereof; and,

FIG. 7 is a left side elevational view thereof.

1 Claim, 3 Drawing Sheets

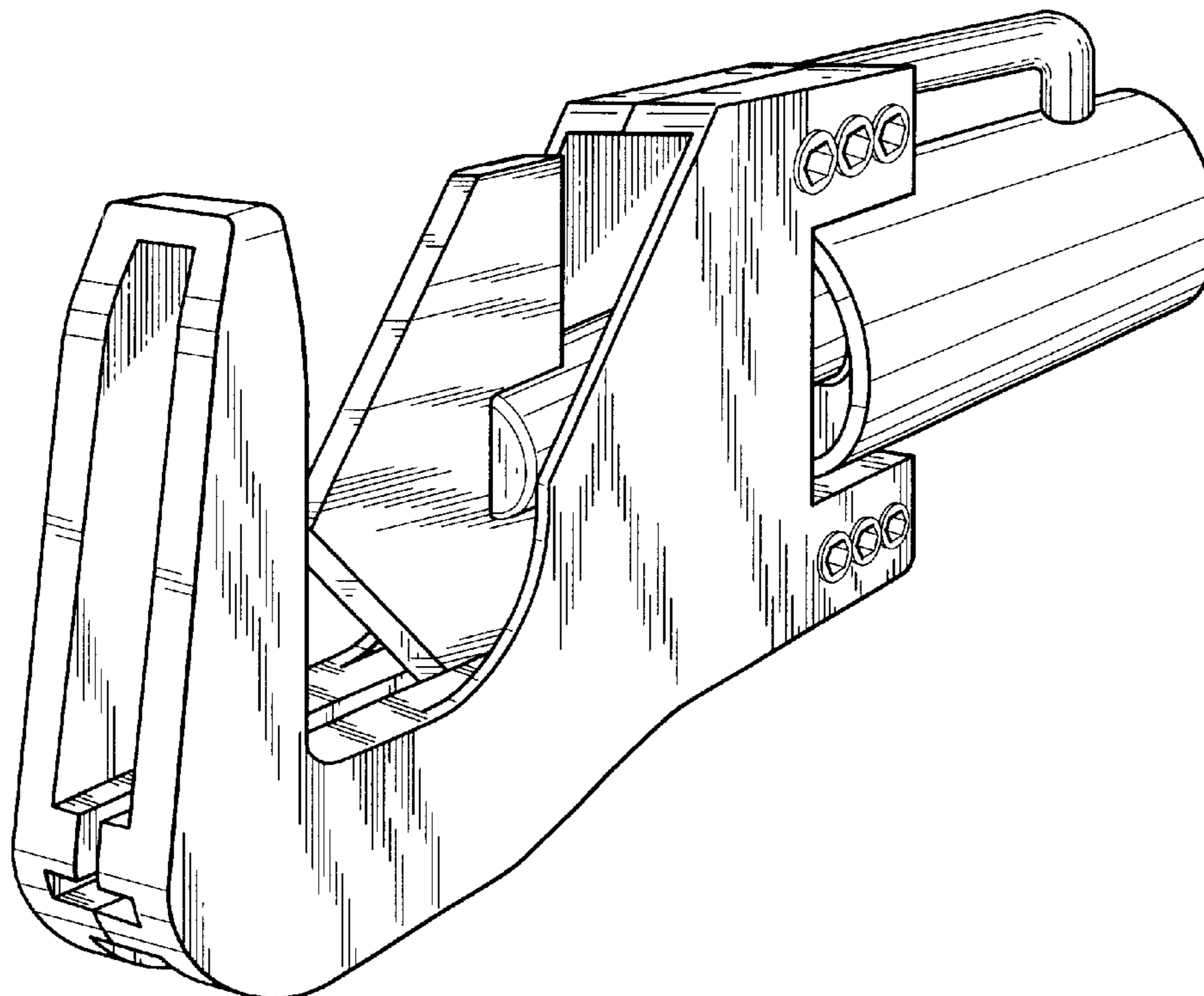


FIG. 1

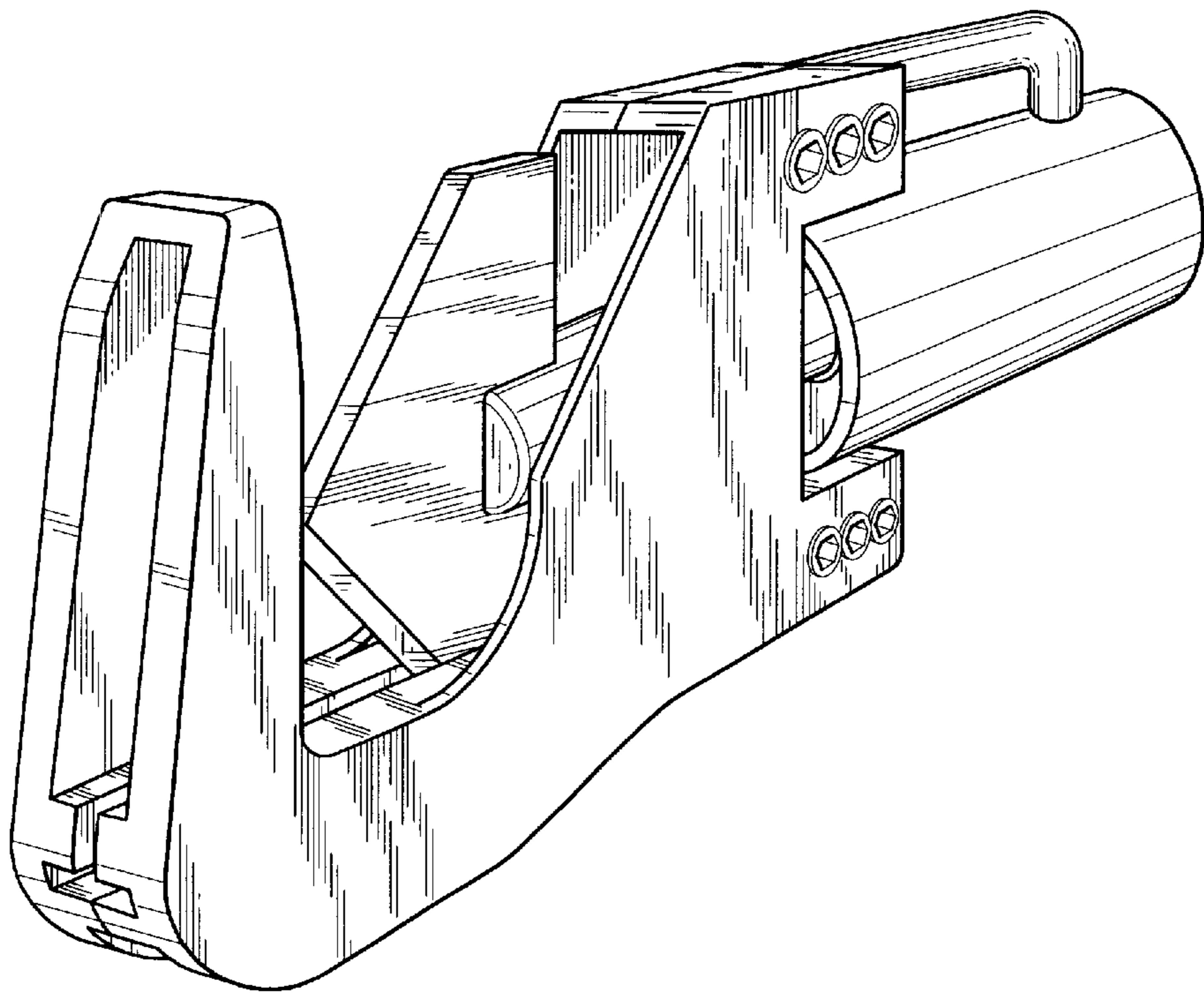


FIG. 2

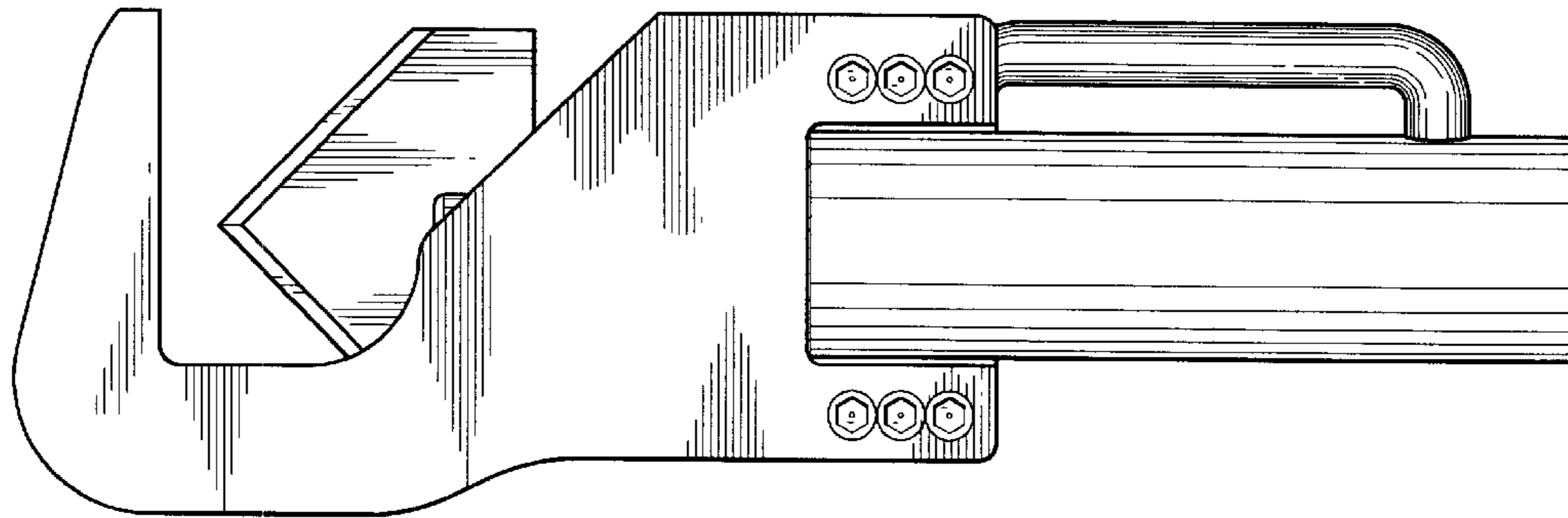


FIG. 3

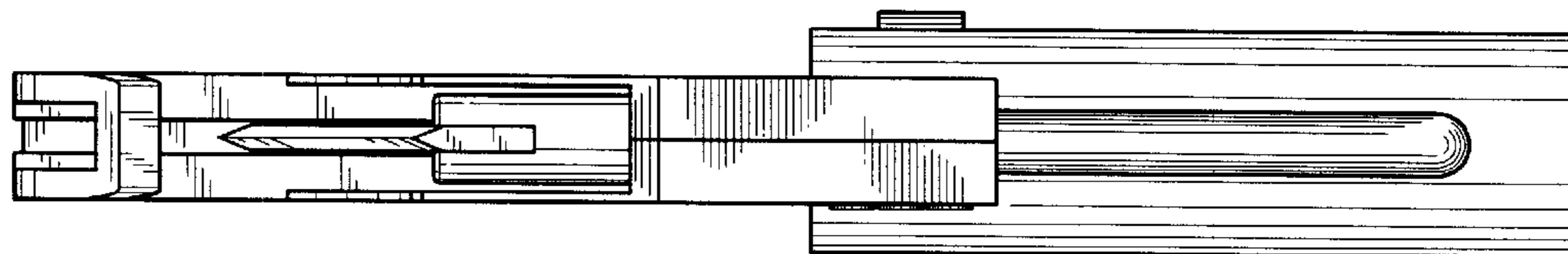


FIG. 4

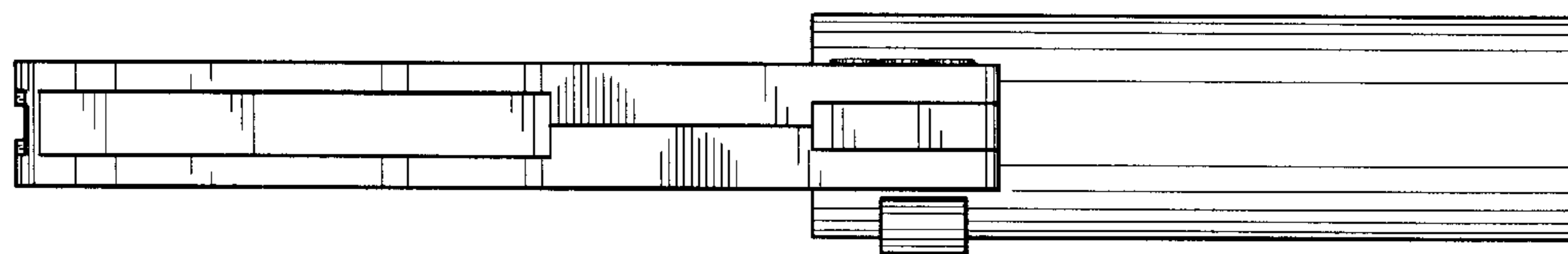


FIG. 5

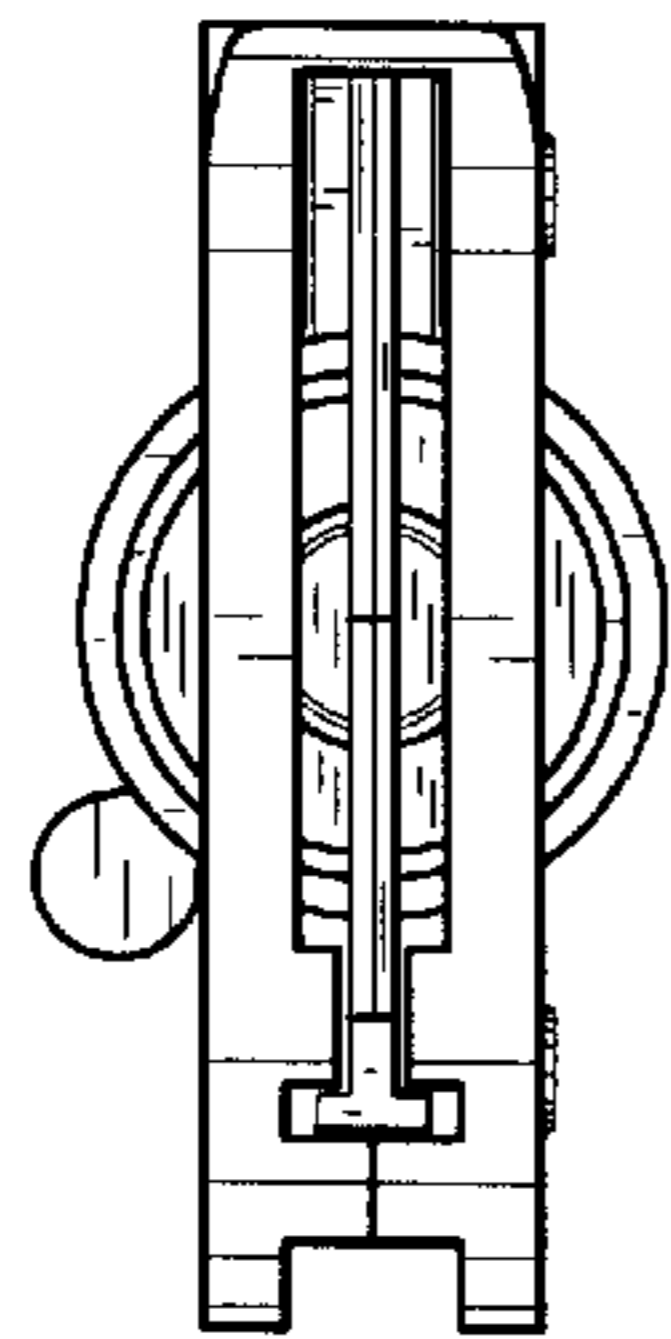


FIG. 6

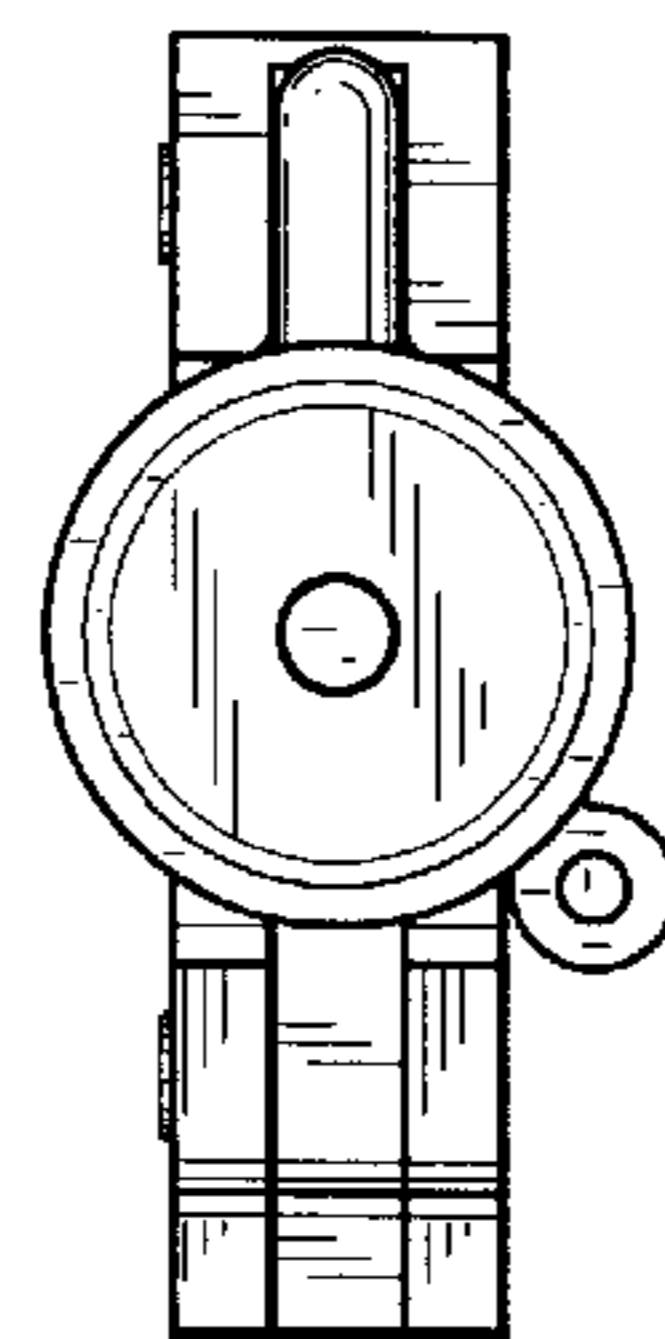


FIG. 7

