



US00D531864S

(12) **United States Design Patent**
Ping

(10) **Patent No.:** **US D531,864 S**

(45) **Date of Patent:** **** Nov. 14, 2006**

(54) **STRAP WRENCH**

(75) Inventor: **Qiu Jian Ping**, Hangzhou (CN)

(73) Assignee: **Great Neck Saw Manufacturers, Inc.**,
Mineola, NY (US)

(**) Term: **14 Years**

(21) Appl. No.: **29/218,168**

(22) Filed: **Nov. 29, 2004**

(51) **LOC (8) Cl.** **08-08**

(52) **U.S. Cl.** **D8/22**

(58) **Field of Classification Search** D8/21-22;
81/64

See application file for complete search history.

(56) **References Cited**

U.S. PATENT DOCUMENTS

178,655 A	6/1876	McLain
406,177 A	7/1889	Morehouse
409,148 A	8/1889	Haller
689,325 A	12/1901	Sands
705,596 A	7/1902	Morith
733,298 A	7/1903	Stull
840,496 A	1/1907	Justen
876,469 A	1/1908	Ogden
1,076,457 A	8/1913	Old
1,196,479 A	8/1916	Phelps
1,294,515 A	2/1919	Monahan
1,414,014 A	4/1922	Genett
1,422,302 A	7/1922	Parker
1,456,126 A	5/1923	Friday
1,480,972 A	1/1924	Wallace
1,505,897 A	8/1924	Kikta
1,513,164 A	10/1924	Euverard
1,523,228 A	1/1925	Marke
1,525,358 A	2/1925	Bergen
1,646,661 A	10/1927	Richard
1,662,413 A	3/1928	Bright
1,726,978 A	9/1929	Claybrook
1,774,201 A	8/1930	Jenkins
1,898,409 A	2/1933	Underwood
1,916,554 A	7/1933	Bevington

2,009,765 A	7/1935	Davis
2,013,209 A	9/1935	Hargreaves
2,081,383 A	5/1937	Nector
2,128,991 A	9/1938	Eighmey
2,132,207 A	10/1938	Donovan
2,181,012 A	11/1939	Bunting

(Continued)

FOREIGN PATENT DOCUMENTS

EP	2031314 A	10/1978
FR	2410625	12/1977

Primary Examiner—Holly Baynham

(74) Attorney, Agent, or Firm—Joseph J. Previto

(57) **CLAIM**

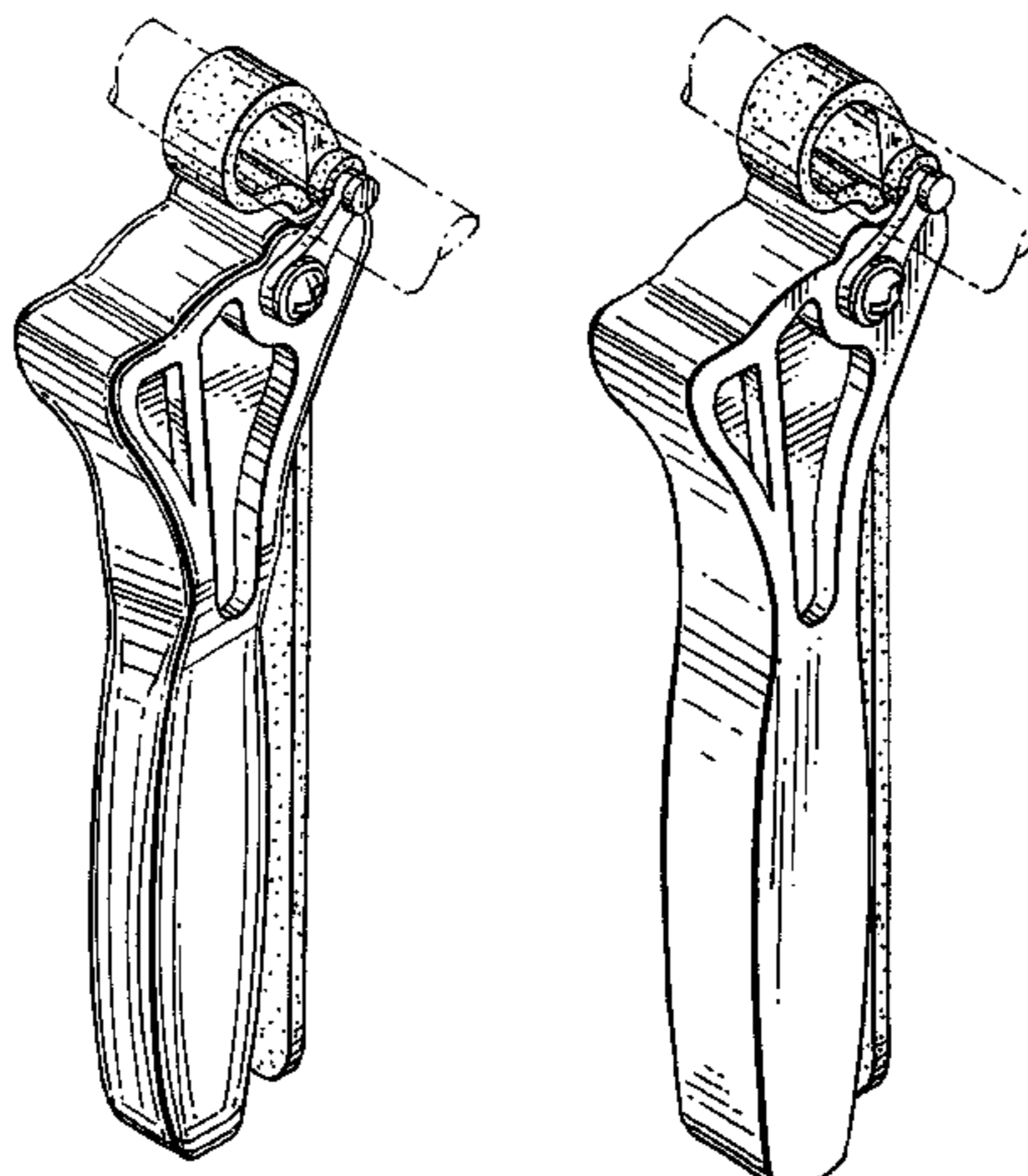
The ornamental design of a strap wrench, as shown and described.

DESCRIPTION

FIG. 1 is a perspective view of my new design.
 FIG. 2 is a front view thereof.
 FIG. 3 is a side view thereof.
 FIG. 4 is a rear view thereof.
 FIG. 5 is a top view thereof.
 FIG. 6 is a bottom view thereof.
 FIG. 7 is a perspective view of a second embodiment of my new design.
 FIG. 8 is a front view thereof.
 FIG. 9 is a side view thereof.
 FIG. 10 is a rear view thereof.
 FIG. 11 is a top view thereof.
 FIG. 12 is a bottom view thereof.
 FIG. 13 is a perspective view of a third embodiment of my new design.
 FIG. 14 is a front view thereof.
 FIG. 15 is a side view thereof.
 FIG. 16 is a rear view thereof.
 FIG. 17 is a top view thereof; and,
 FIG. 18 is a bottom view thereof.

The broken line showing is for illustrative purposes only and forms no part of the claimed design.

1 Claim, 9 Drawing Sheets



US D531,864 S

Page 2

U.S. PATENT DOCUMENTS

2,317,037	A	4/1943	Donovan				
2,389,301	A	11/1945	Escher				
2,458,393	A	1/1949	Loudfoot				
2,481,055	A	9/1949	Whitaker				
3,584,525	A	6/1971	Caveney				
D242,981	S	1/1977	Craig				
4,082,016	A	4/1978	Vonusa				
4,145,938	A	3/1979	Laird				
D259,233	S	* 5/1981	Dobias	D8/21		
4,345,494	A	8/1982	Aamodt				
4,532,833	A	8/1985	Downs				
4,543,858	A	10/1985	Luck				
4,840,093	A	6/1989	Goldman				
4,987,804	A	1/1991	Greenawalt				
5,323,671	A	6/1994	Hebert				
5,390,570	A	2/1995	Reisner				
D369,076	S	* 4/1996	Alexander	D8/22		
5,522,284	A	6/1996	Sade				
6,089,126	A	7/2000	Teeter				
6,101,903	A	* 8/2000	Negley et al.	81/64		
6,125,723	A	10/2000	Huang				
D461,382	S	* 8/2002	Hernandez et al.	D8/22		
D461,693	S	* 8/2002	Khubani	D8/22		
6,427,561	B1	8/2002	Huang				
D465,391	S	* 11/2002	Huang	D8/22		
D474,661	S	* 5/2003	Huang	D8/22		
6,581,497	B1	6/2003	Kelton				

* cited by examiner

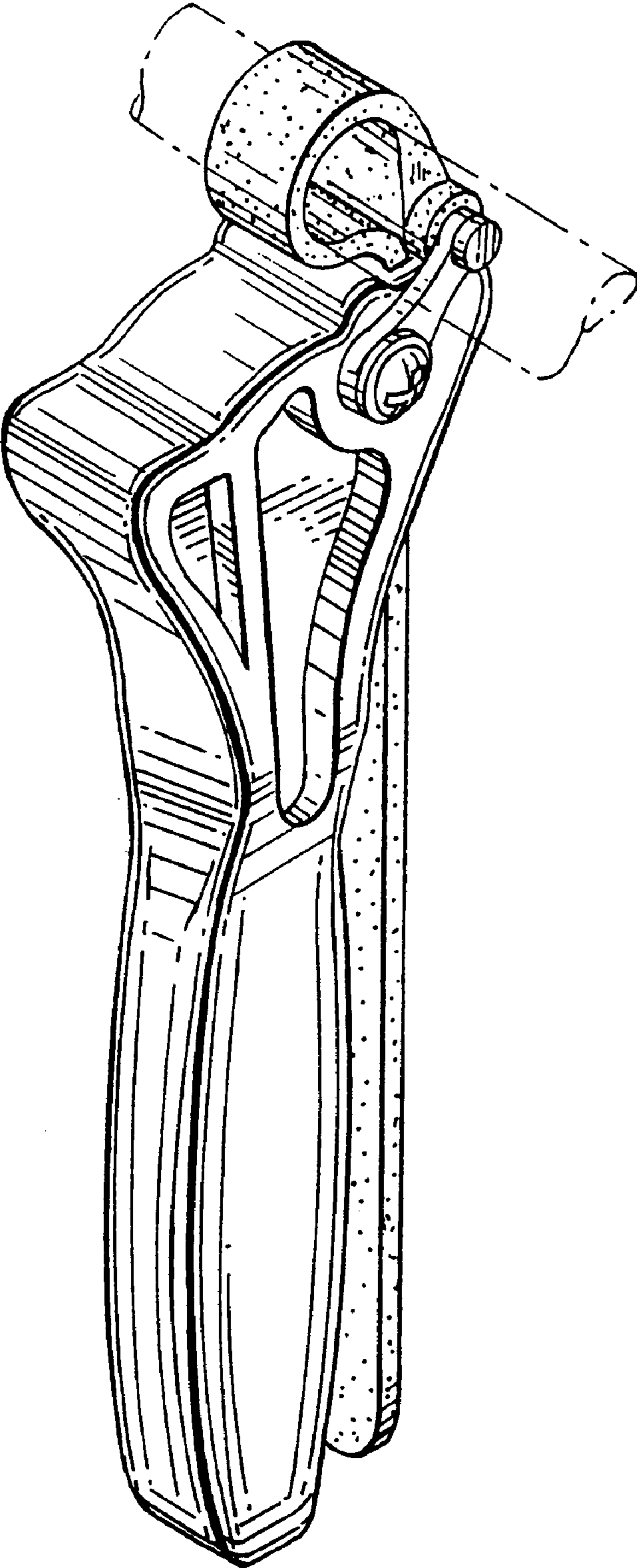


FIG.1

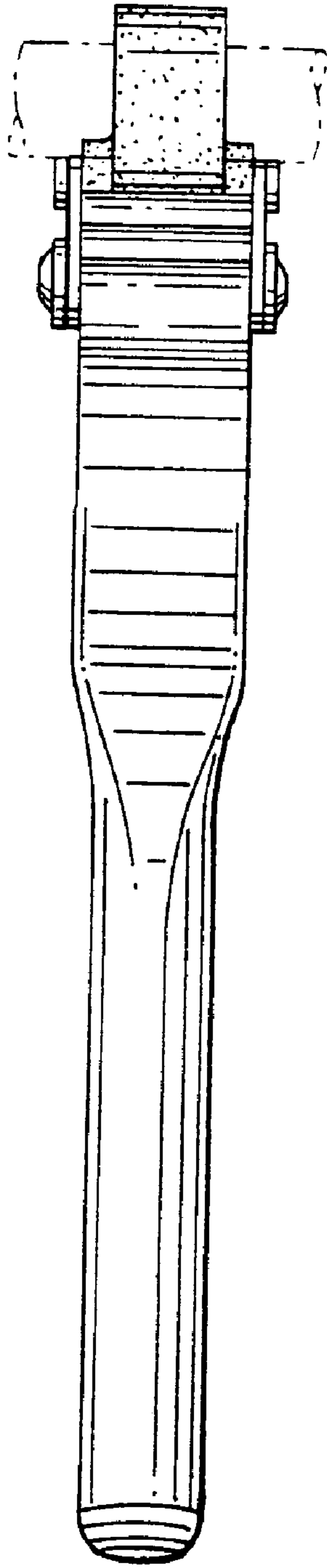


FIG. 2

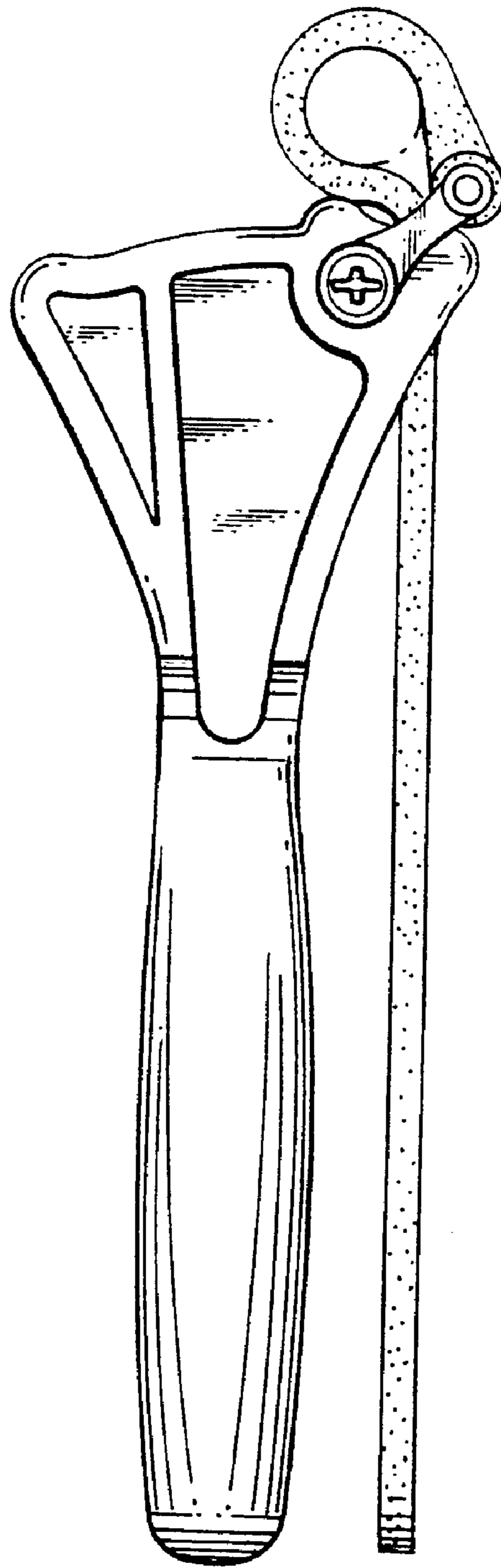


FIG. 3

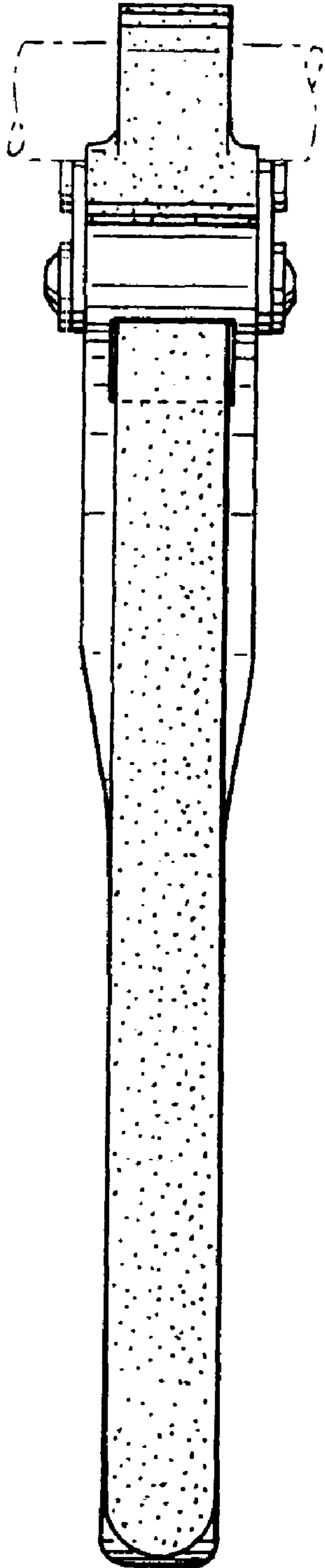


FIG.4

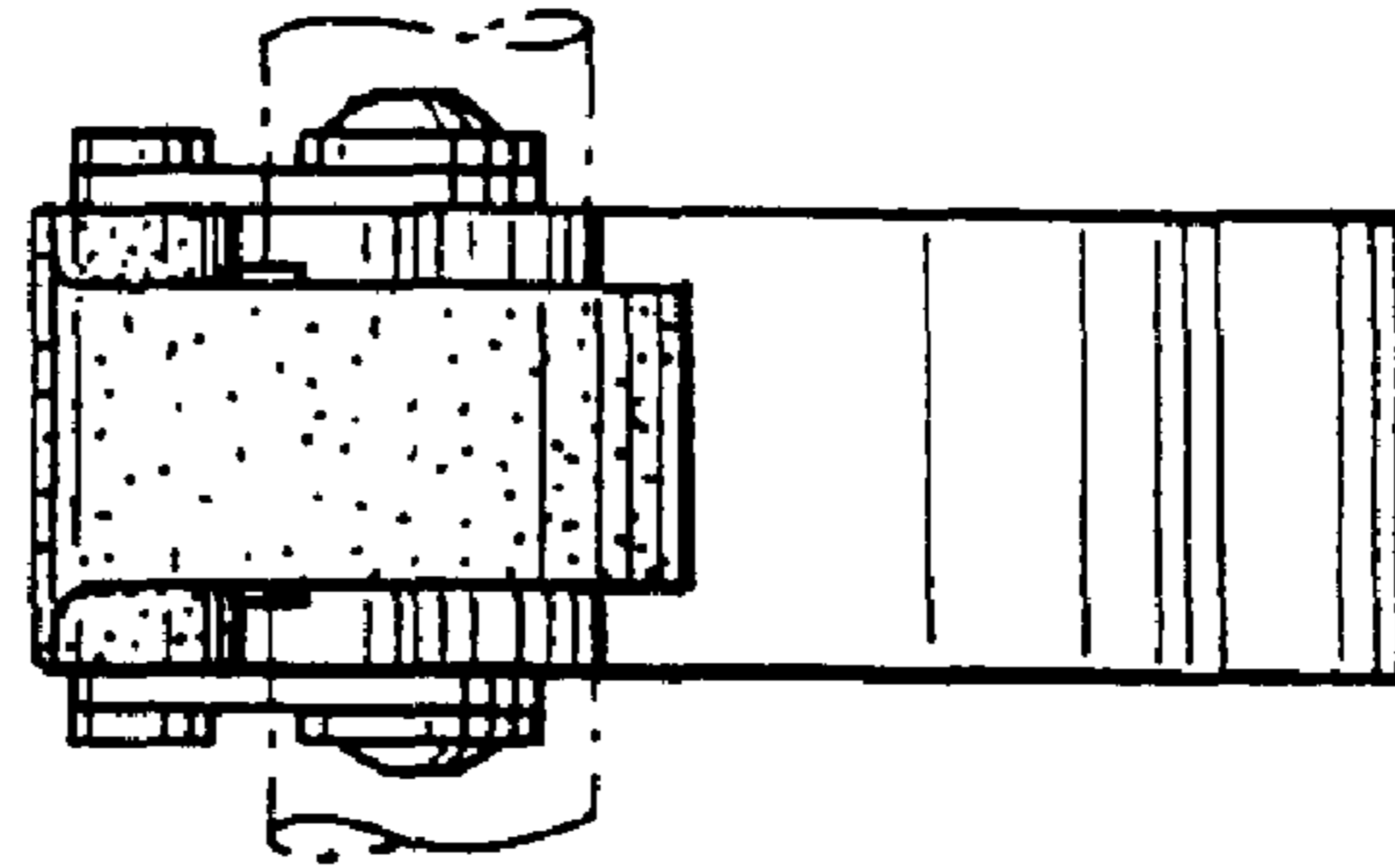


FIG.5

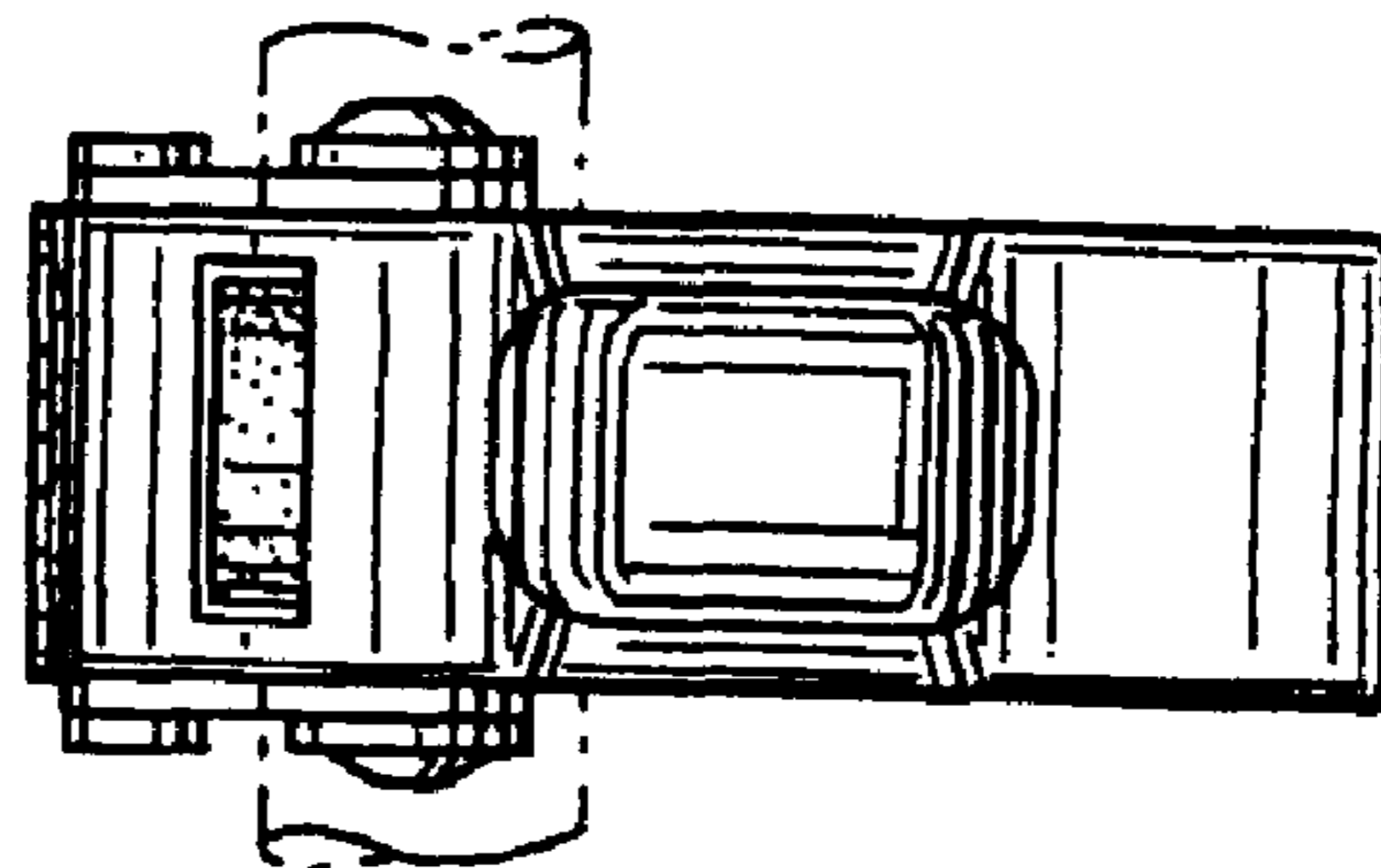


FIG.6

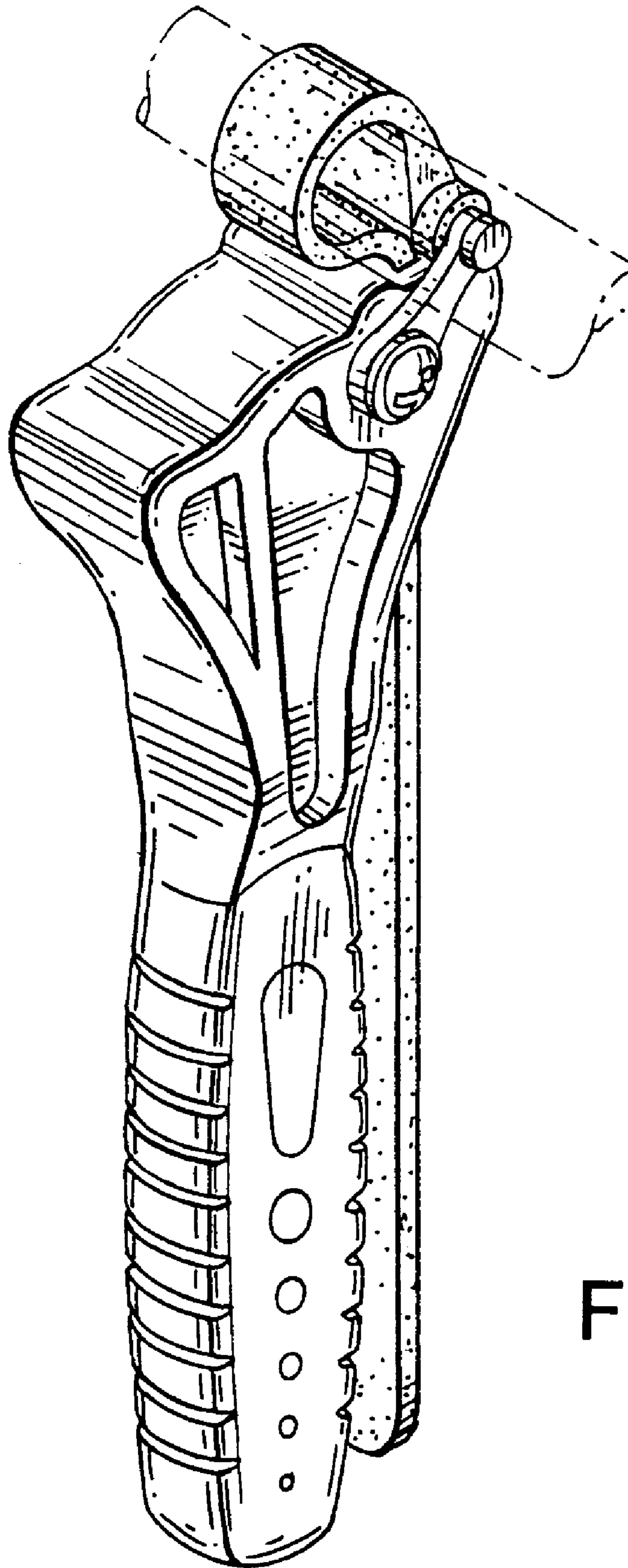


FIG.7

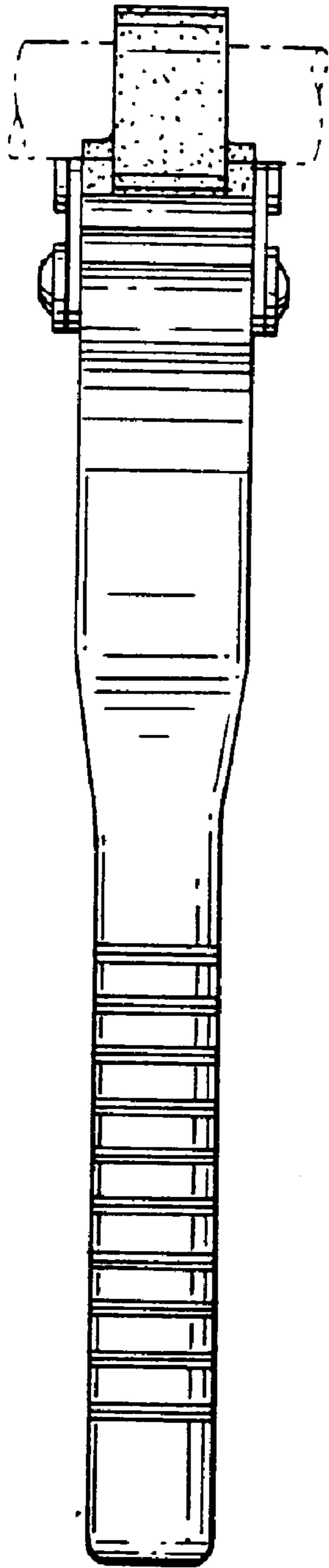


FIG. 8

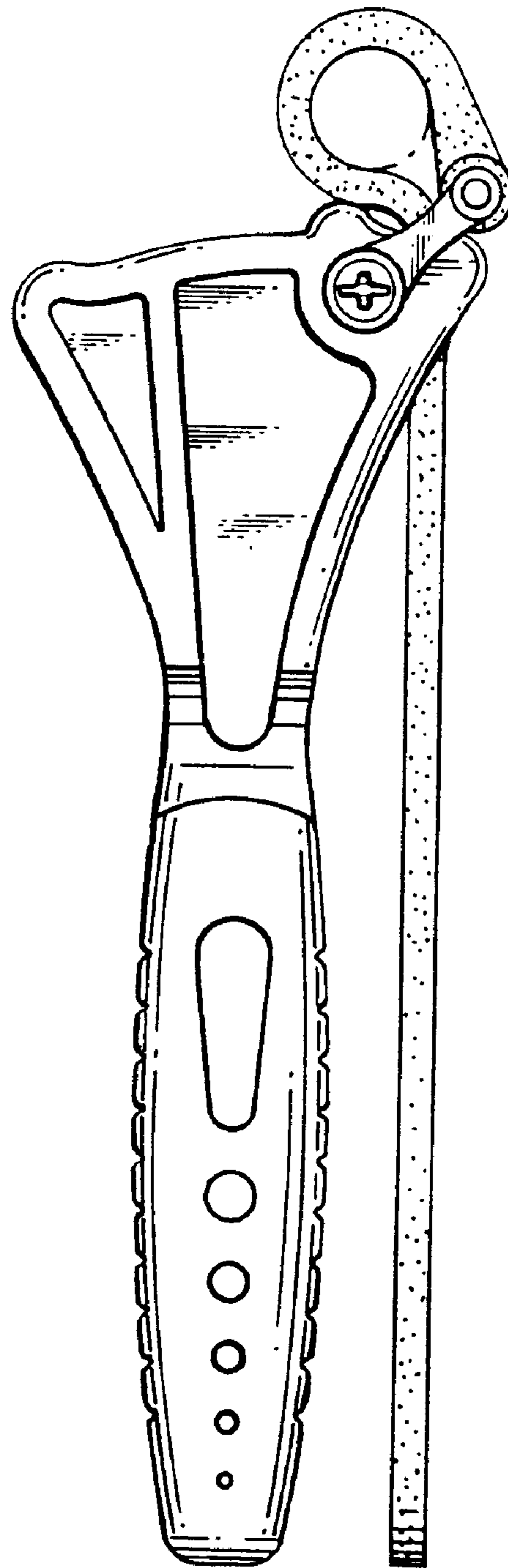


FIG. 9

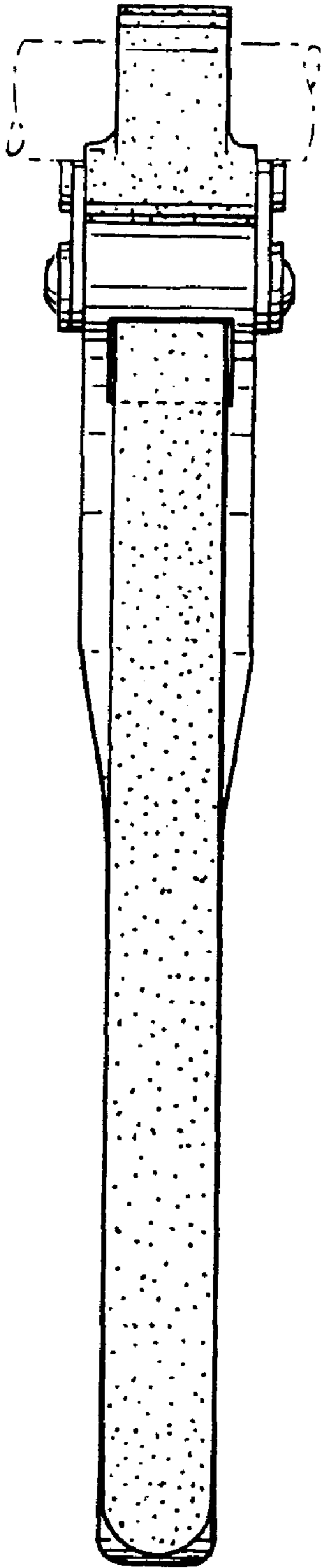


FIG. 10

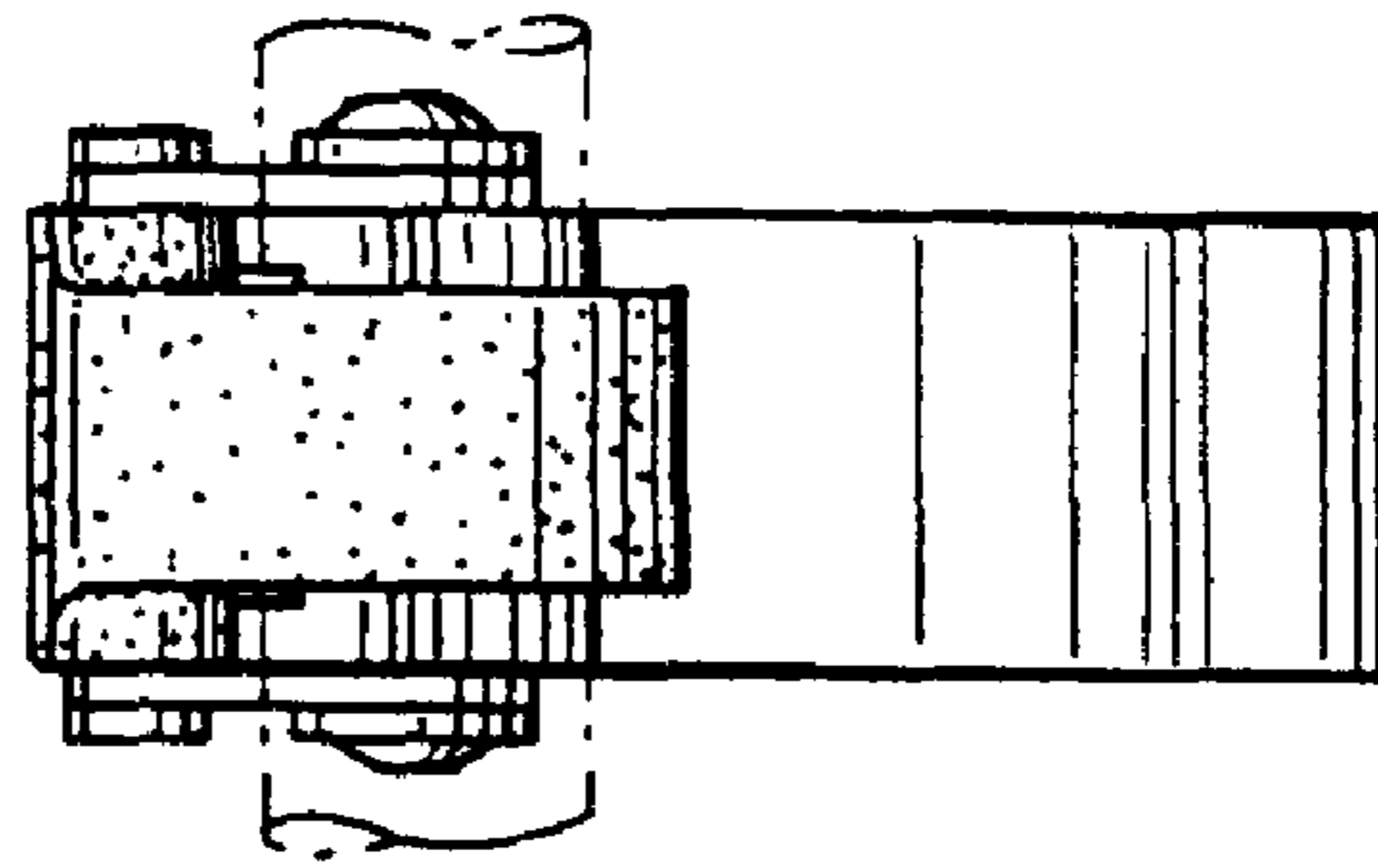


FIG. 11

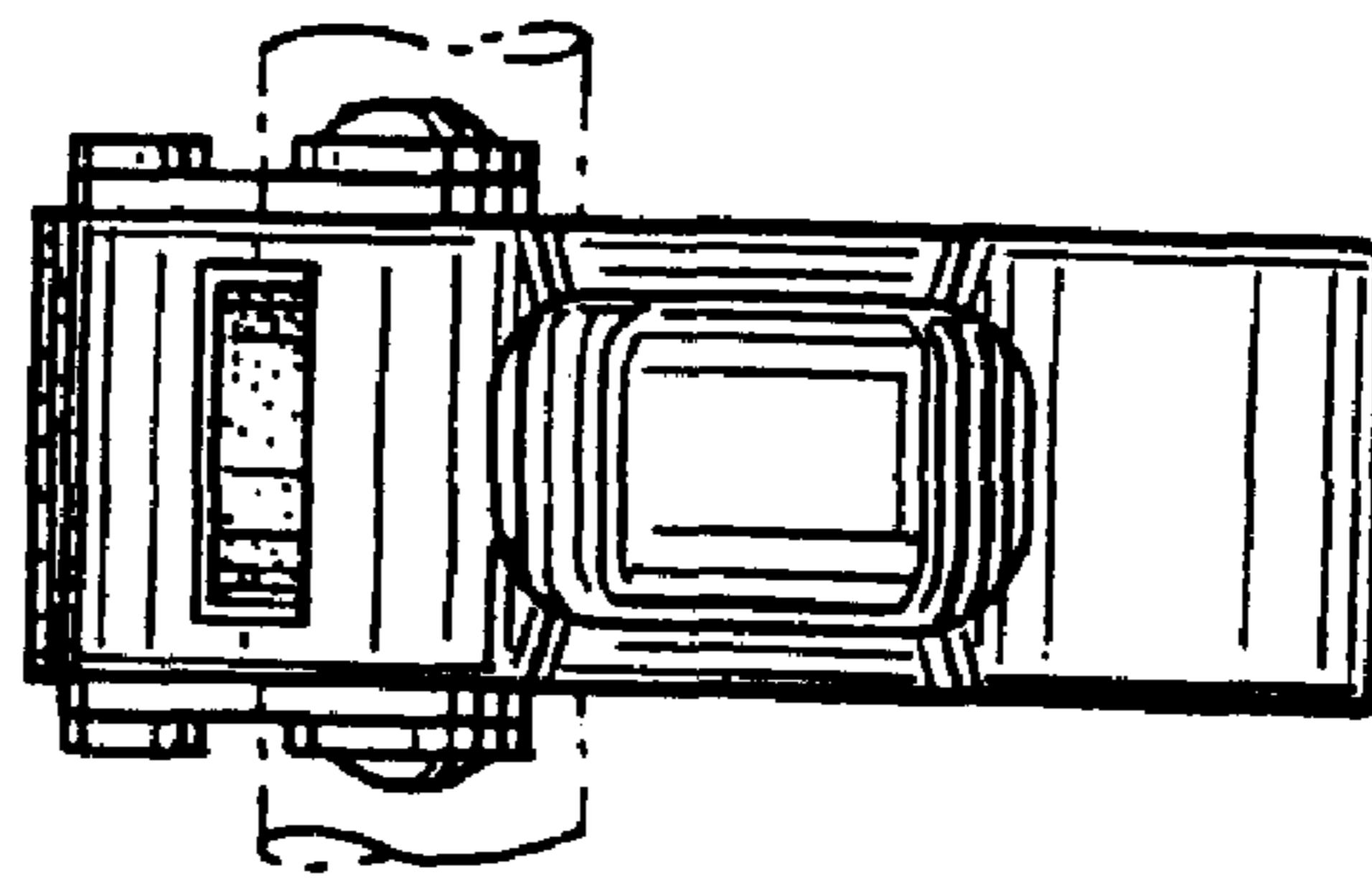


FIG. 12

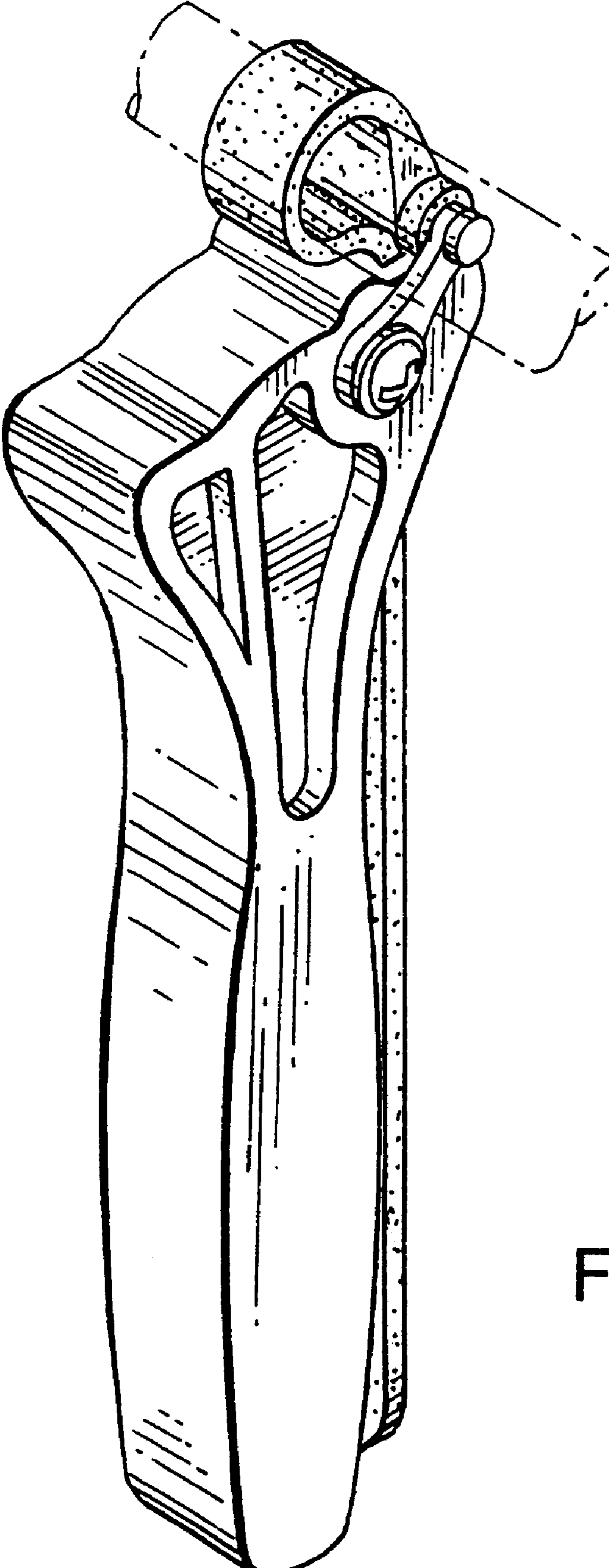


FIG. 13

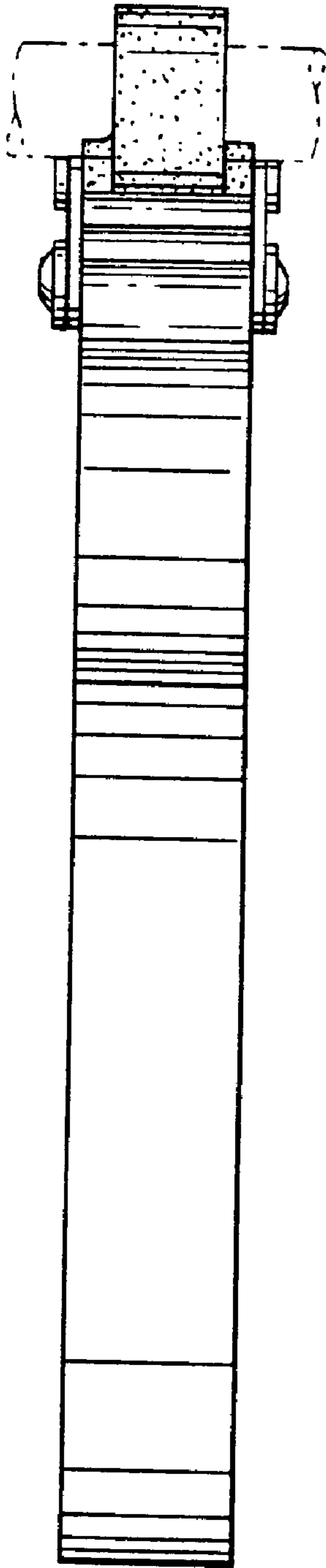


FIG.14

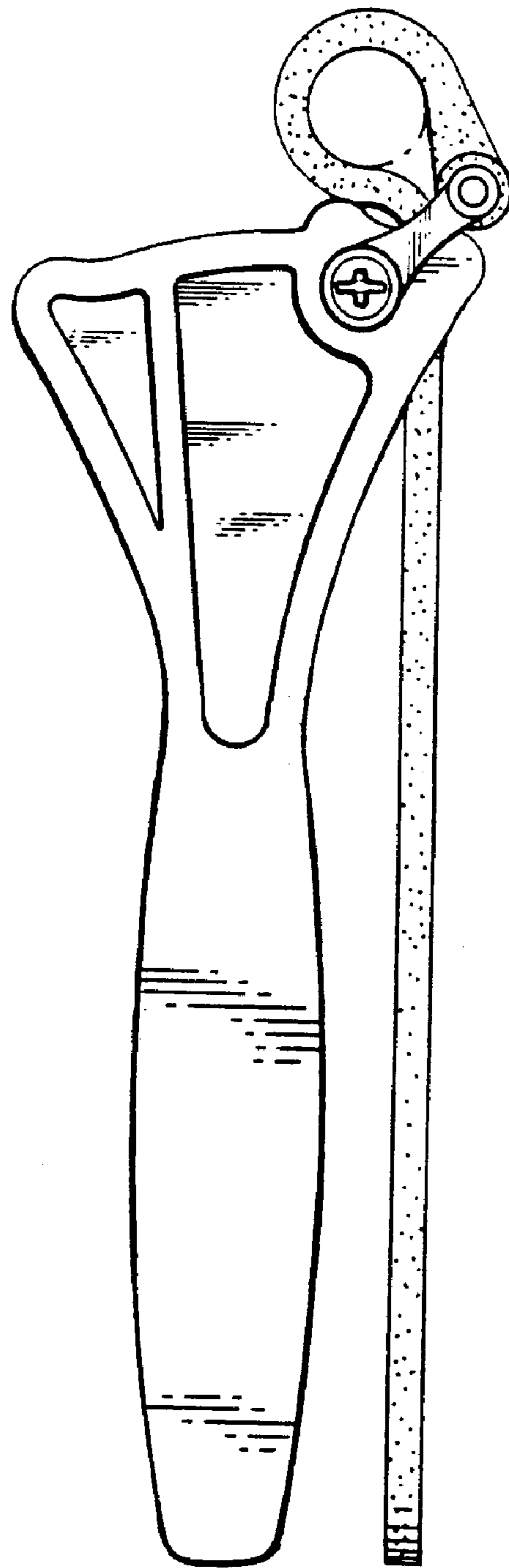


FIG.15

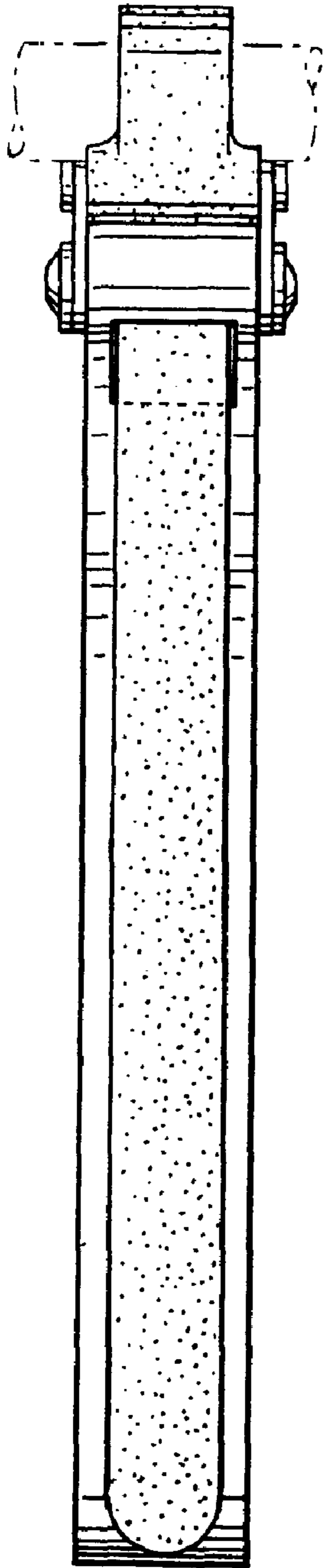


FIG. 16

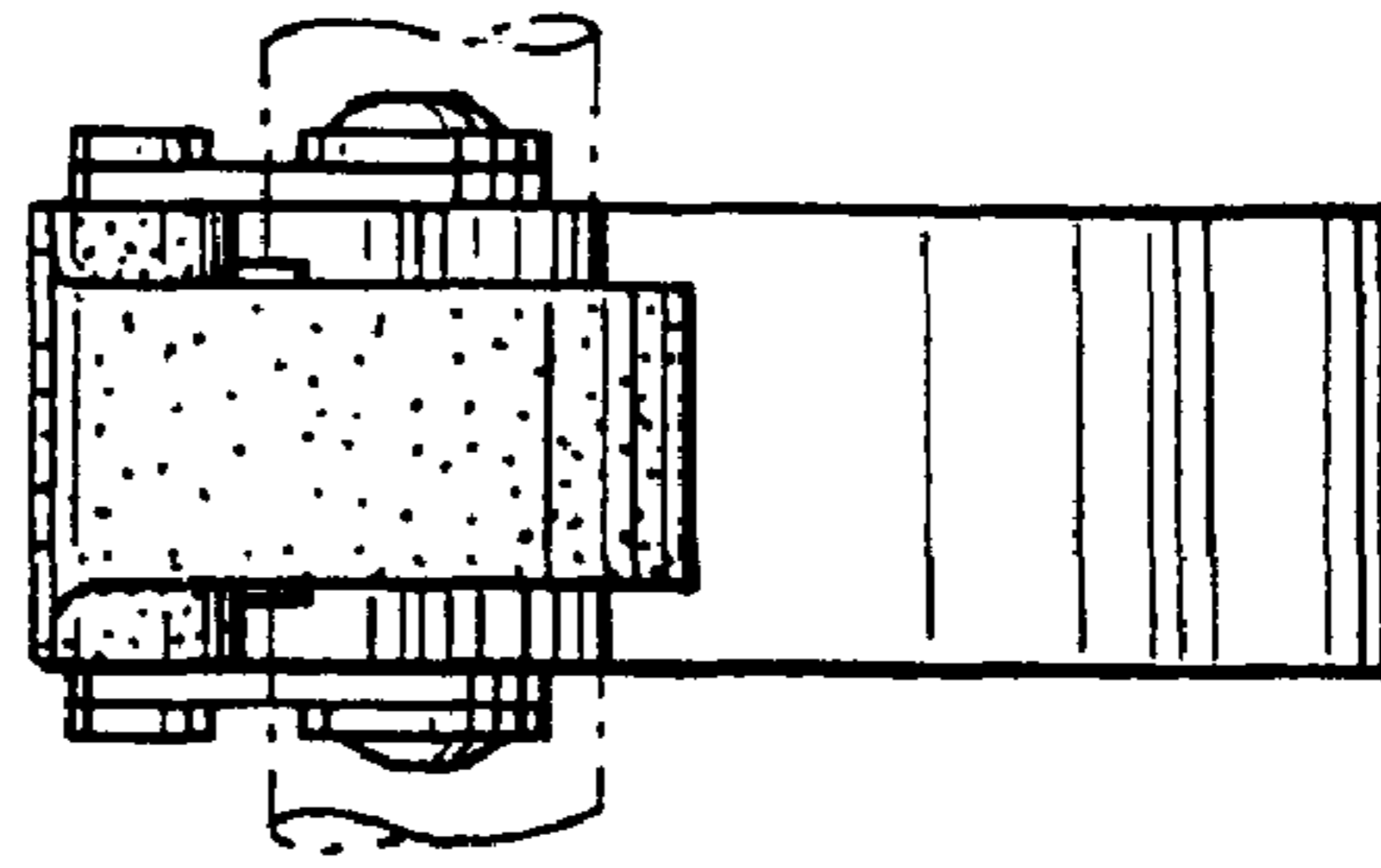


FIG. 17

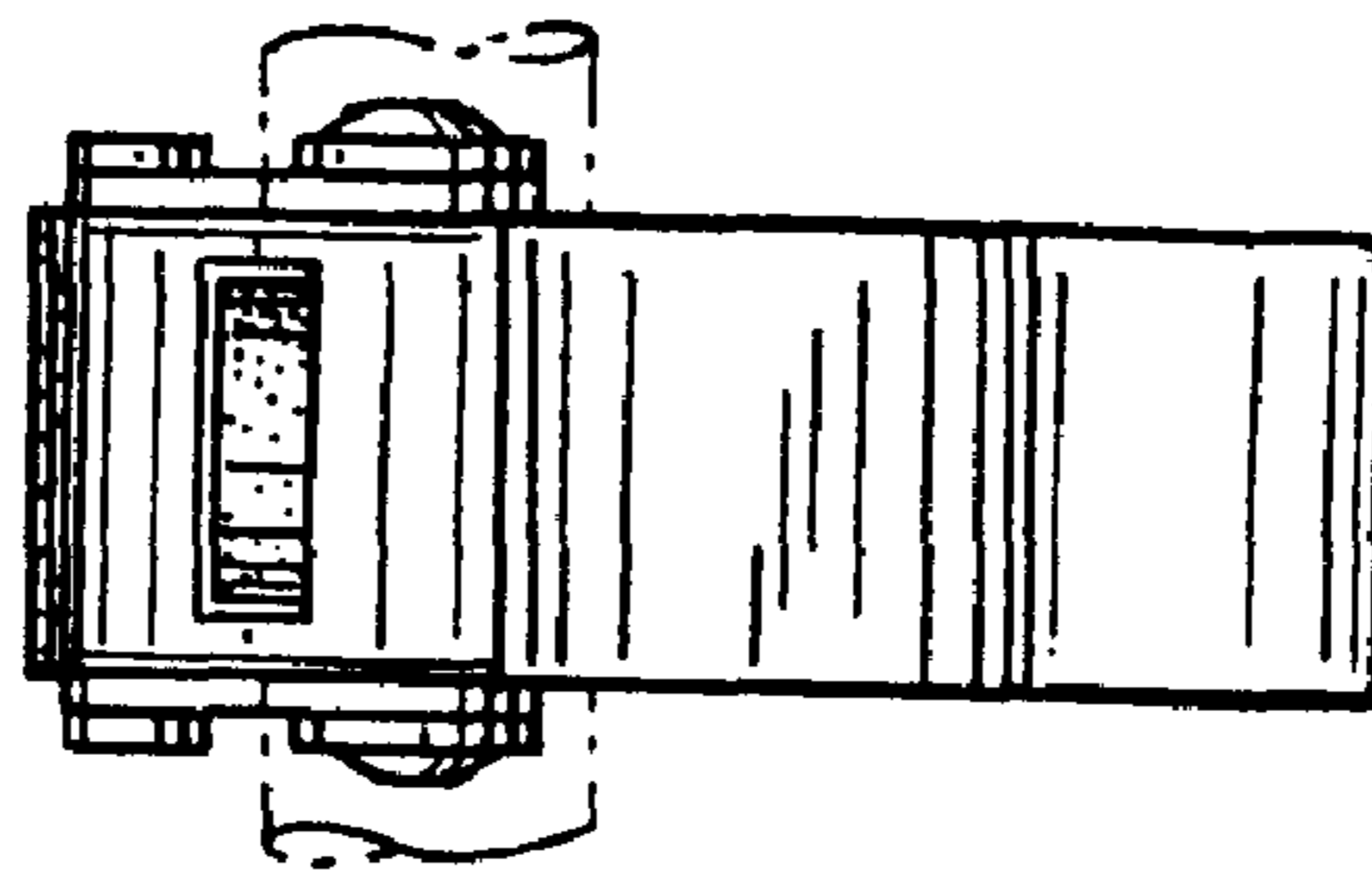


FIG. 18