



US00D531862S

(12) **United States Design Patent**  
**George**

(10) **Patent No.:** **US D531,862 S**

(45) **Date of Patent:** **\*\* Nov. 14, 2006**

(54) **SCOOP**

(75) Inventor: **Jeffrey W. George**, Cary, IL (US)

(73) Assignee: **The Quaker Oats Company**, Chicago, IL (US)

(\*\*) Term: **14 Years**

(21) Appl. No.: **29/229,832**

(22) Filed: **May 12, 2005**

(51) **LOC (8) Cl.** ..... **07-02**

(52) **U.S. Cl.** ..... **D7/691**

(58) **Field of Classification Search** ..... D7/691,  
D7/692; D10/46.2, 46.3; 294/9, 55, 1.1, 1.3;  
73/426-429; 30/324-328

See application file for complete search history.

(56) **References Cited**

**U.S. PATENT DOCUMENTS**

D274,778 S	7/1984	Reece et al.
D318,350 S	7/1991	Muffuletto
D321,304 S	11/1991	Underwood et al.
D321,305 S	11/1991	Underwood et al.
D330,997 S	11/1992	Spahni, Jr. et al.
D338,599 S	8/1993	Zogg et al.
D395,209 S	6/1998	Deglon
D398,197 S	9/1998	Deglon

D417,396 S	12/1999	Gobe
D420,590 S	2/2000	Gobe
D425,381 S	5/2000	Denham et al.
D426,430 S	6/2000	Verherbrugghen et al.
D437,192 S	* 2/2001	Verherbrugghen et al. ... D7/691
D460,687 S	7/2002	Weinstock
D461,619 S	8/2002	Garson et al.
D465,704 S	* 11/2002	Gowdy ..... D7/691
D483,626 S	12/2003	Jeffries
D483,988 S	12/2003	Kipperman et al.

\* cited by examiner

*Primary Examiner*—Terry A. Wallace

(74) *Attorney, Agent, or Firm*—Goodwin Procter; Lars Johnson; Carolyn Sloane

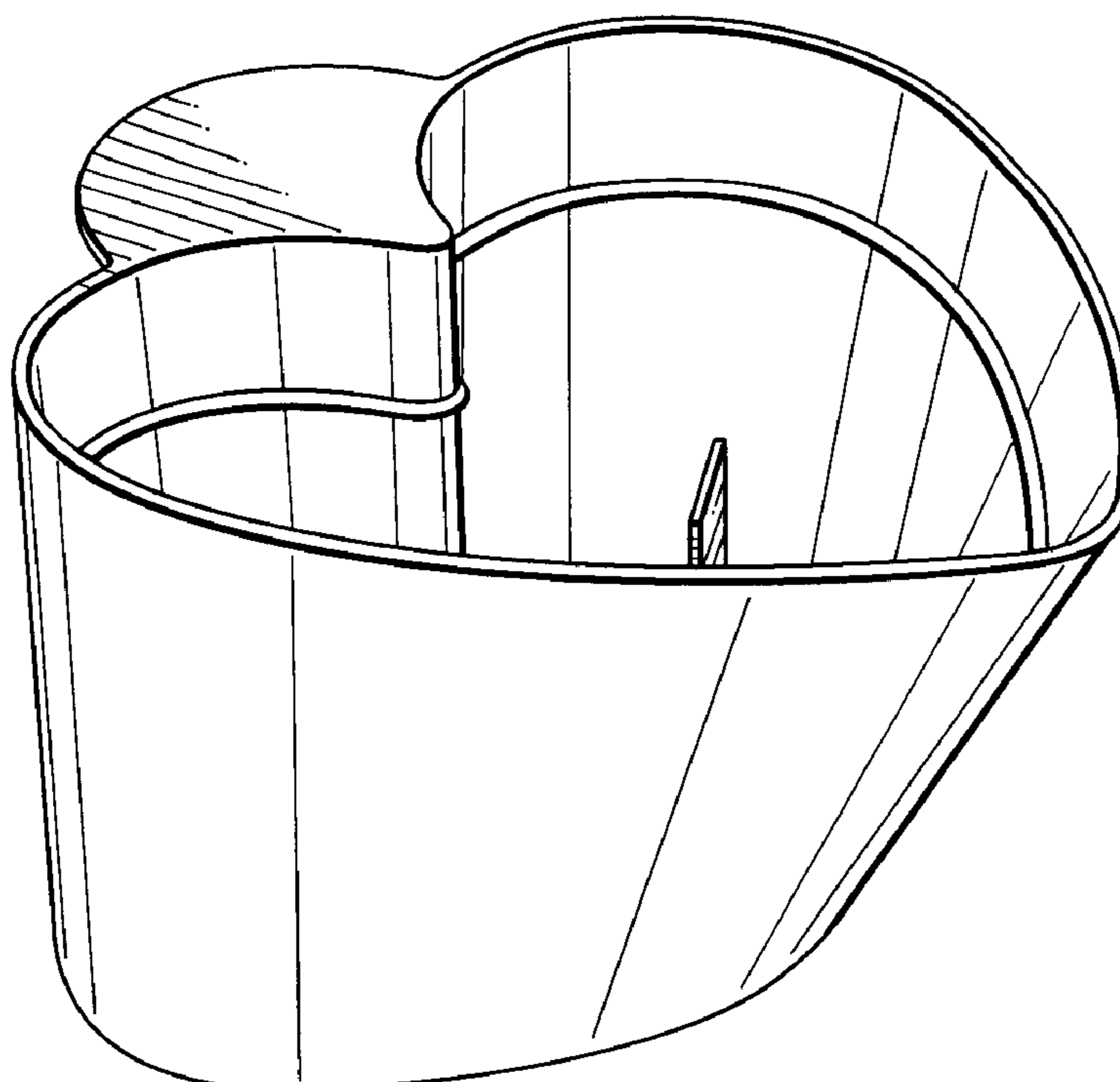
(57) **CLAIM**

The ornamental design for a scoop, as shown.

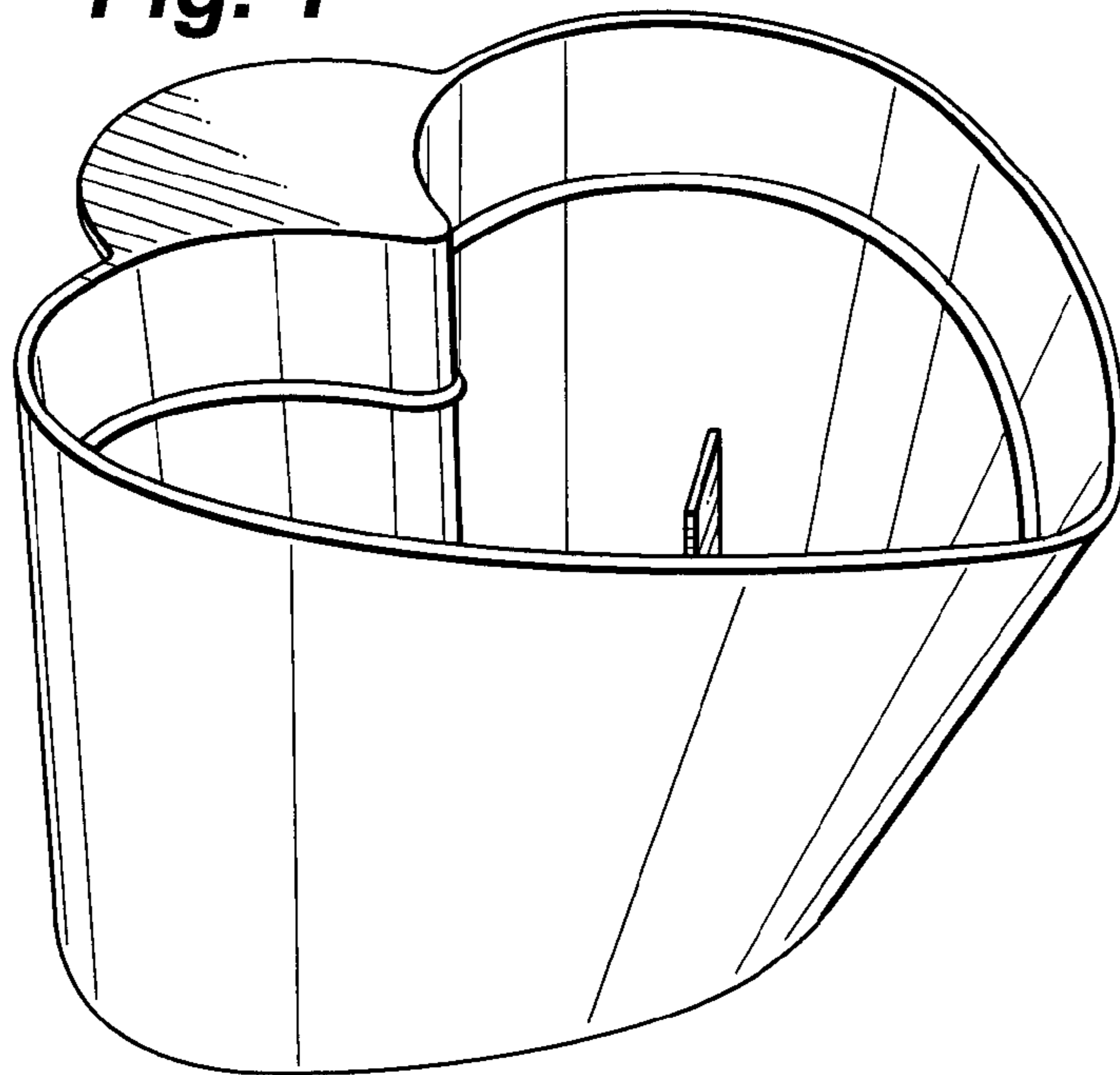
**DESCRIPTION**

FIG. 1 is a top elevation perspective view of a scoop depicting the new design;  
FIG. 2 is a top plan view of the scoop depicted in FIG. 1;  
FIG. 3 is a bottom plan view of the scoop depicted in FIG. 1;  
FIG. 4 is a front view of the scoop depicted in FIG. 1;  
FIG. 5 is a rear view of the scoop depicted in FIG. 1; and,  
FIG. 6 is a side view of the scoop depicted in FIG. 1.

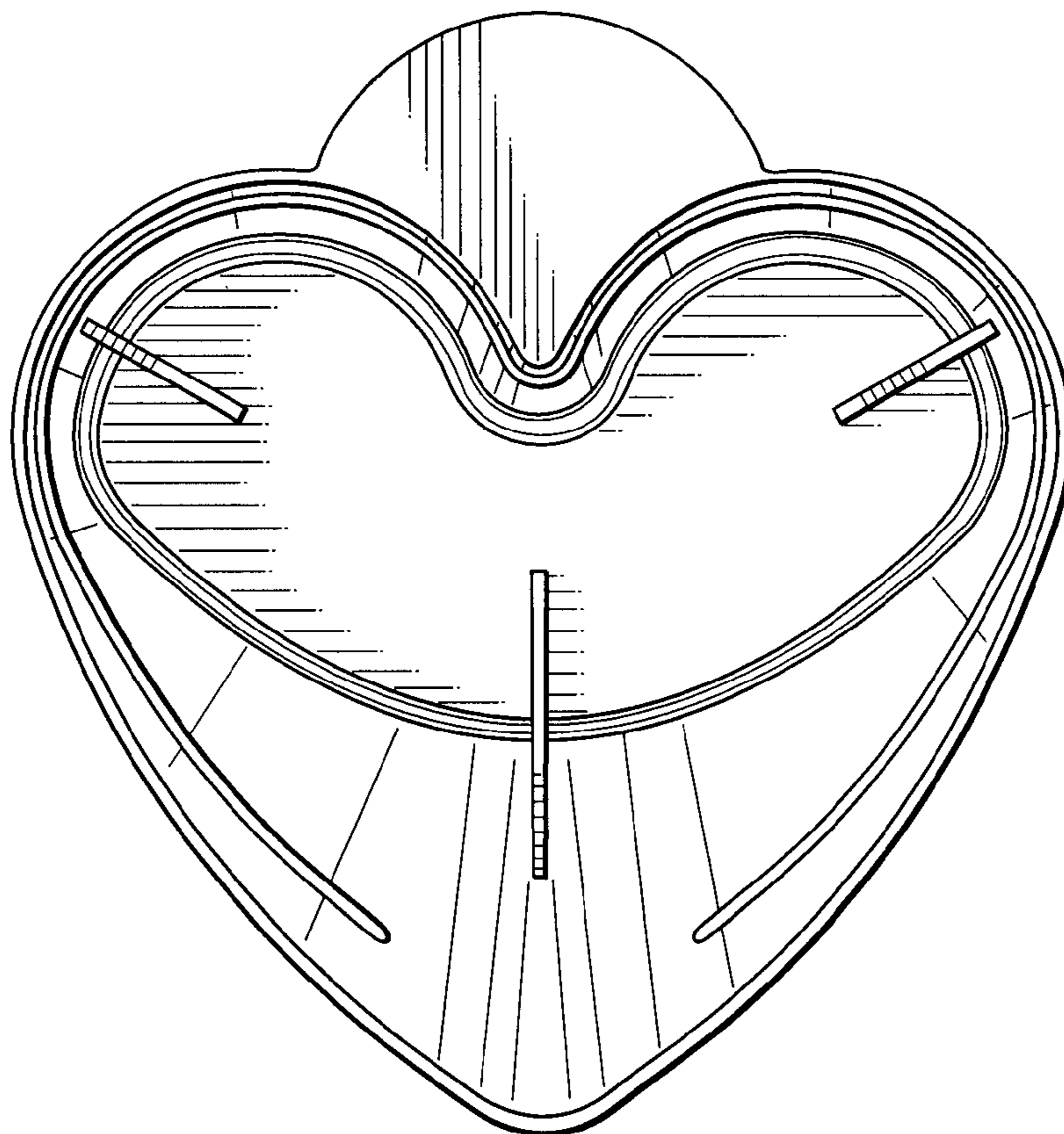
**1 Claim, 3 Drawing Sheets**



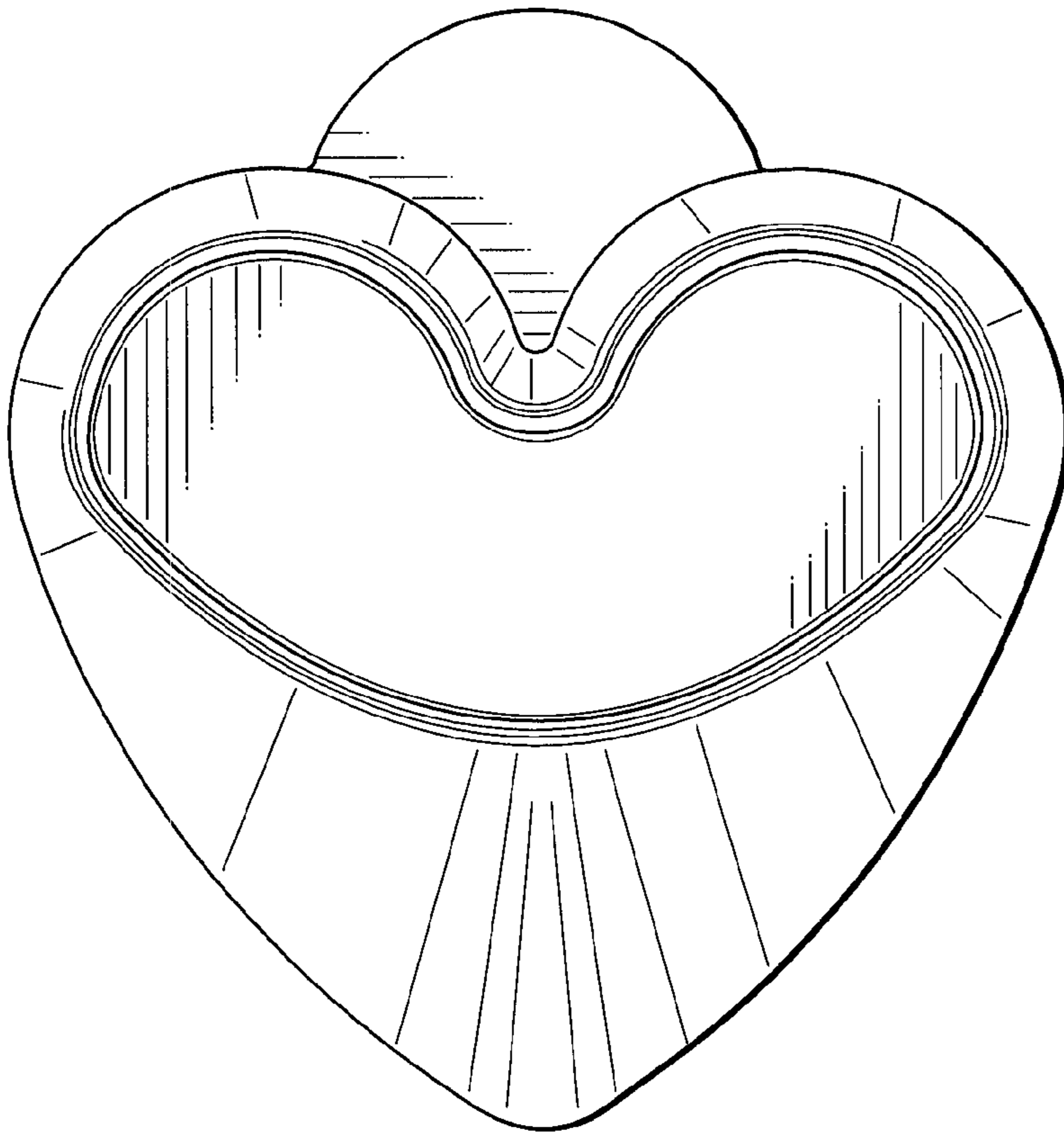
**Fig. 1**



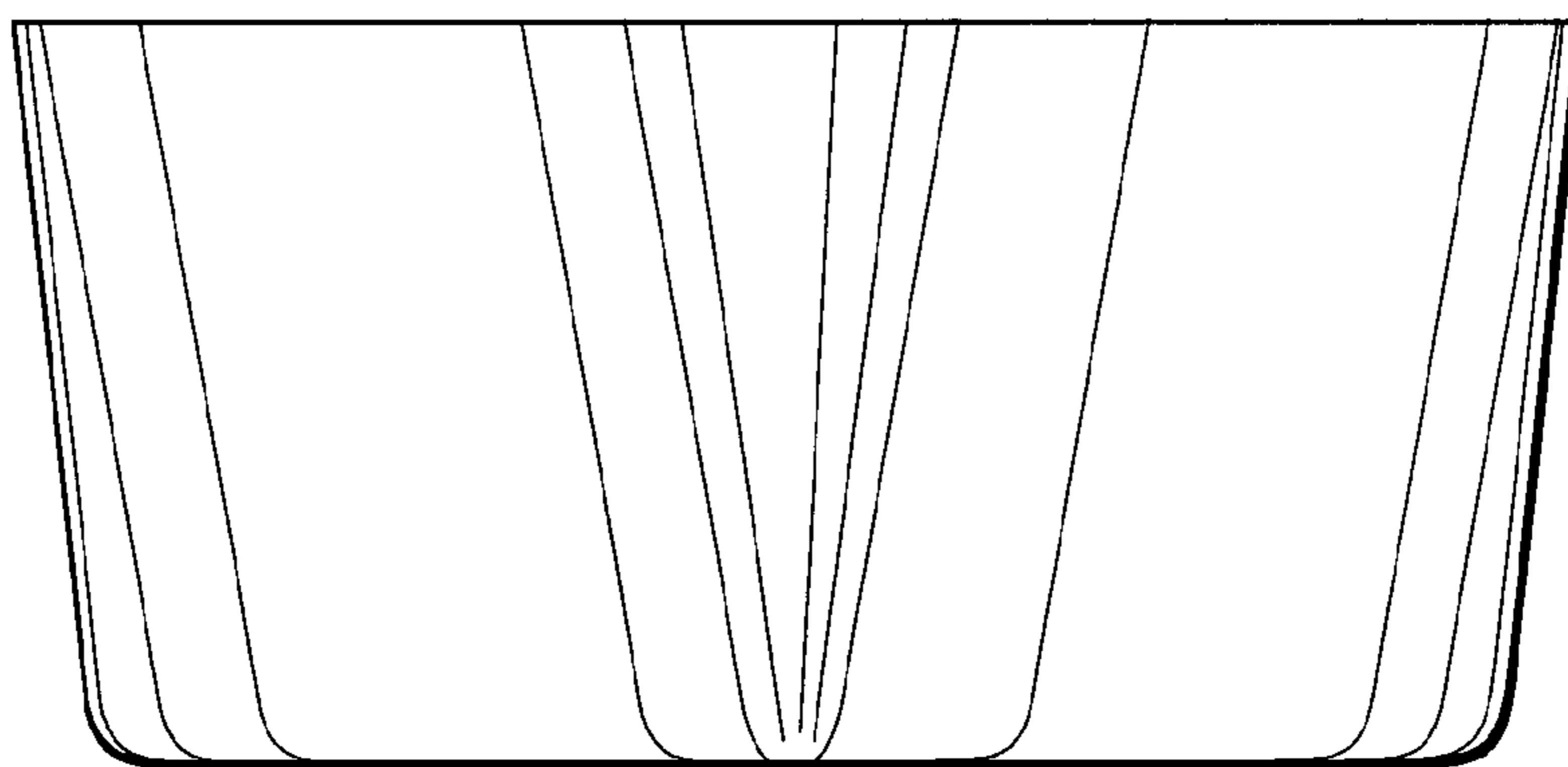
**Fig. 2**



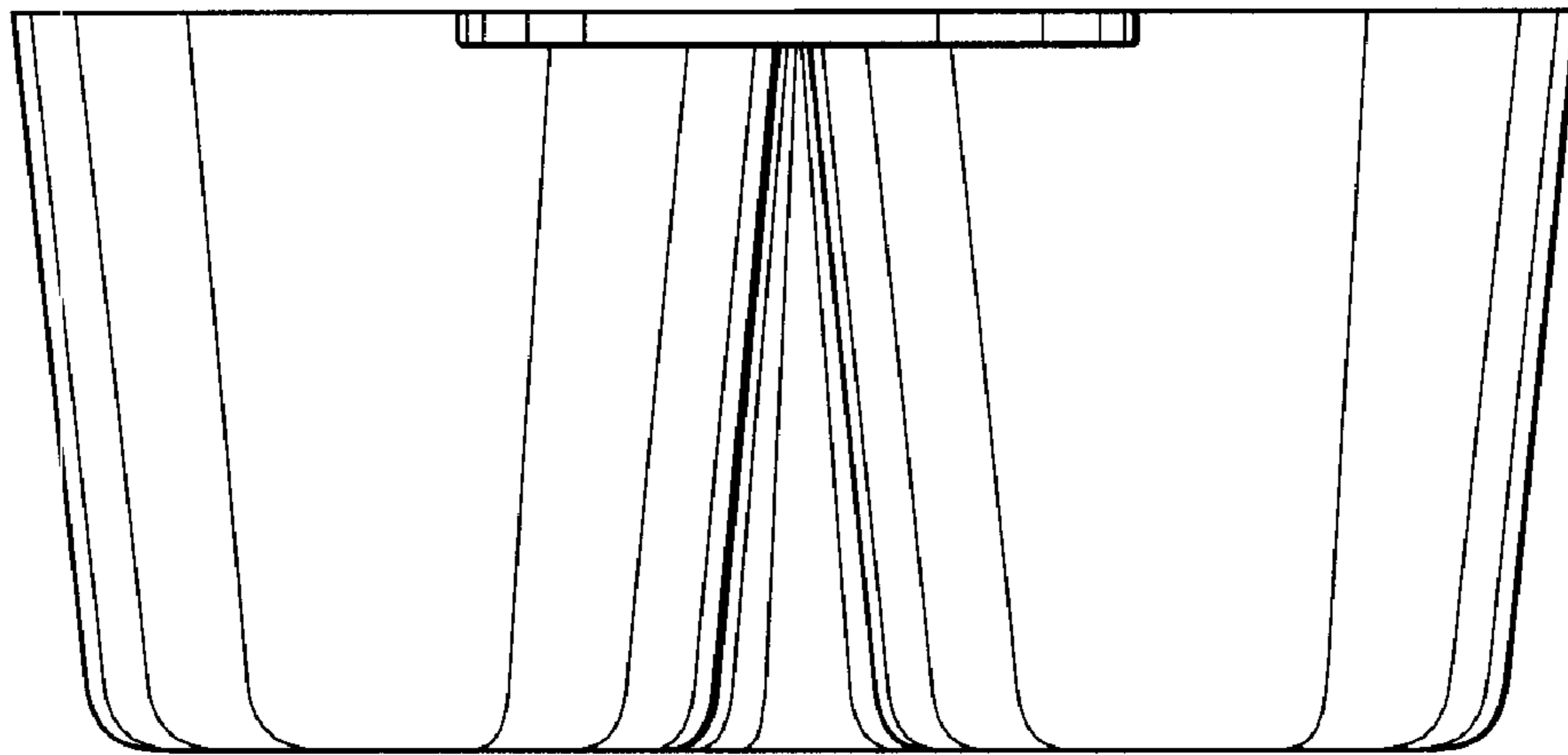
**Fig. 3**



**Fig. 4**



**Fig. 5**



**Fig. 6**

