



US00D531858S

(12) **United States Design Patent**
Johnson

(10) **Patent No.:** **US D531,858 S**

(45) **Date of Patent:** **** Nov. 14, 2006**

(54) **BEVERAGE HOLDER**

(75) Inventor: **Cathy Johnson**, Tampa, FL (US)

(73) Assignee: **Jacad, Inc.**, Tampa, FL (US)

(**) Term: **14 Years**

(21) Appl. No.: **29/243,191**

(22) Filed: **Nov. 21, 2005**

(51) **LOC (8) Cl.** **07-06**

(52) **U.S. Cl.** **D7/620**

(58) **Field of Classification Search** D7/603-608,
D7/619.1-625; 220/737-740, 902, 903; 224/148.5,
224/482, 901.2, 901.4, 926; 248/311.2, 231.81,
248/230.8; 62/457.1-457.8

See application file for complete search history.

(56) **References Cited**

U.S. PATENT DOCUMENTS

4,401,245	A	*	8/1983	Zills	220/903
4,728,147	A		3/1988	Dutton		
4,838,466	A	*	6/1989	Holmstrom	220/737
D339,034	S	*	9/1993	Walcott et al.	D7/607
5,325,991	A		7/1994	Williams		
D415,390	S	*	10/1999	Winnington-Ingram	D7/507
6,029,847	A	*	2/2000	Mahoney et al.	220/739

6,029,938	A		2/2000	Fava		
D442,833	S	*	5/2001	Shuman	D7/608
6,290,091	B1	*	9/2001	Bell	220/739
D454,034	S	*	3/2002	McLaughlin	D7/607

* cited by examiner

Primary Examiner—Terry A. Wallace

(74) *Attorney, Agent, or Firm*—Buchanan Ingersoll & Rooney PC

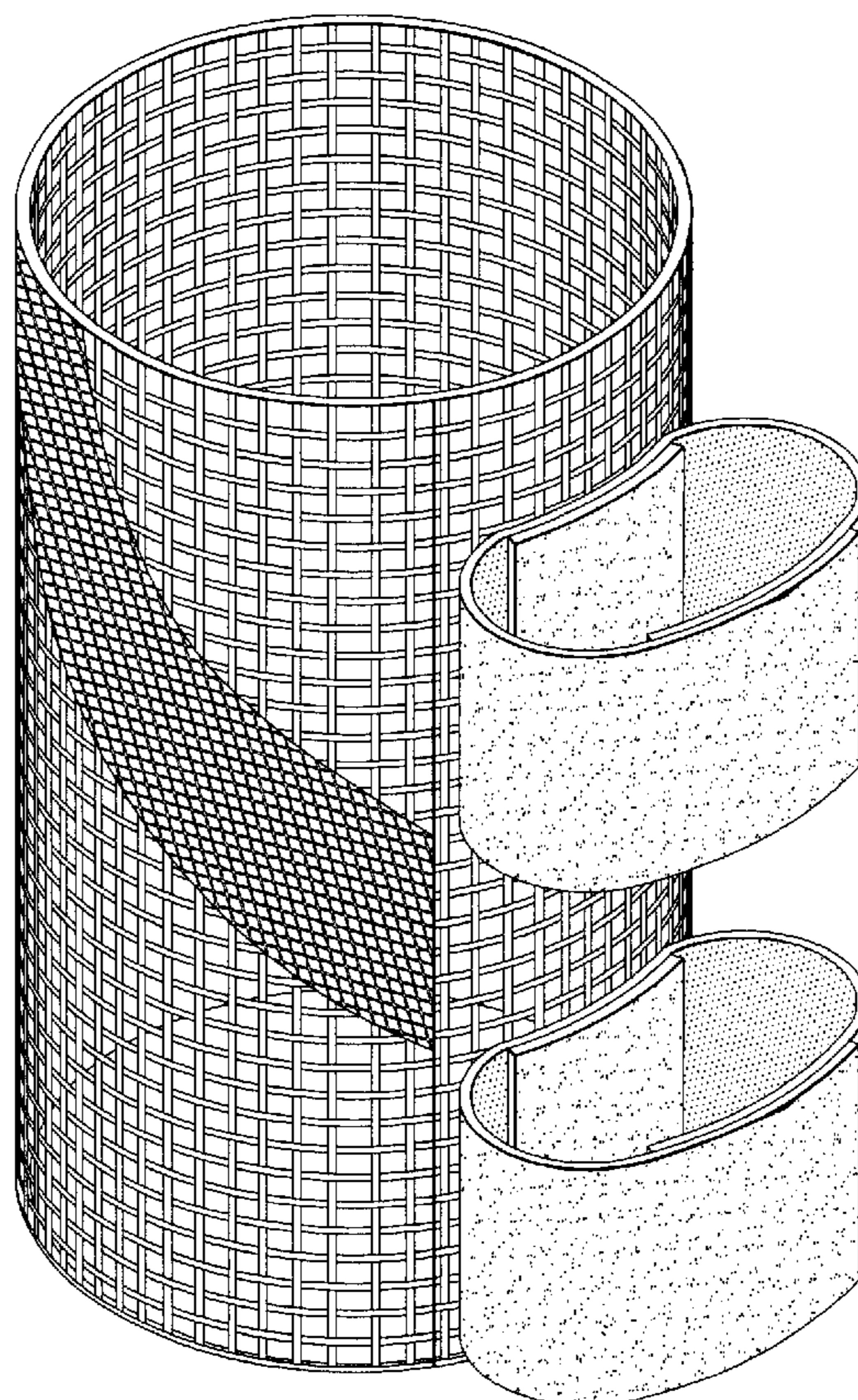
(57) **CLAIM**

An ornamental design for a beverage holder, as shown and described.

DESCRIPTION

FIG. 1 is a perspective view of the rear and side of my beverage holder showing my design.
 FIG. 2 is a left side view thereof.
 FIG. 3 is a right side view thereof.
 FIG. 4 is a rear view thereof.
 FIG. 5 is a top view thereof.
 FIG. 6 is a bottom view thereof; and,
 FIG. 7 is a side view similar to FIG. 2 showing the beverage holder attached to a pole and holding a bottle, both shown in dotted line. The pole and bottle shown in dotted line form no part of the design.

1 Claim, 6 Drawing Sheets



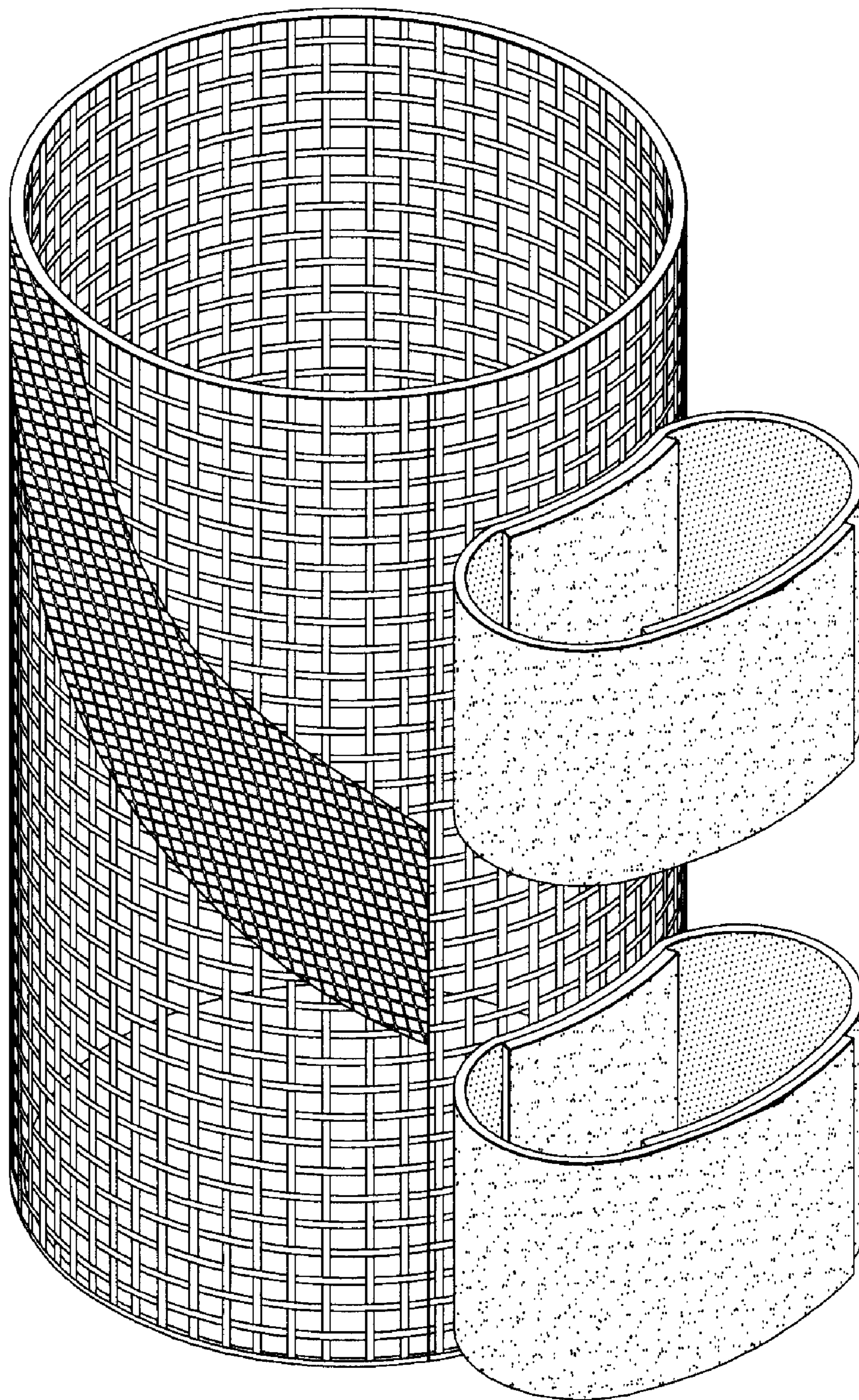


Fig. 1

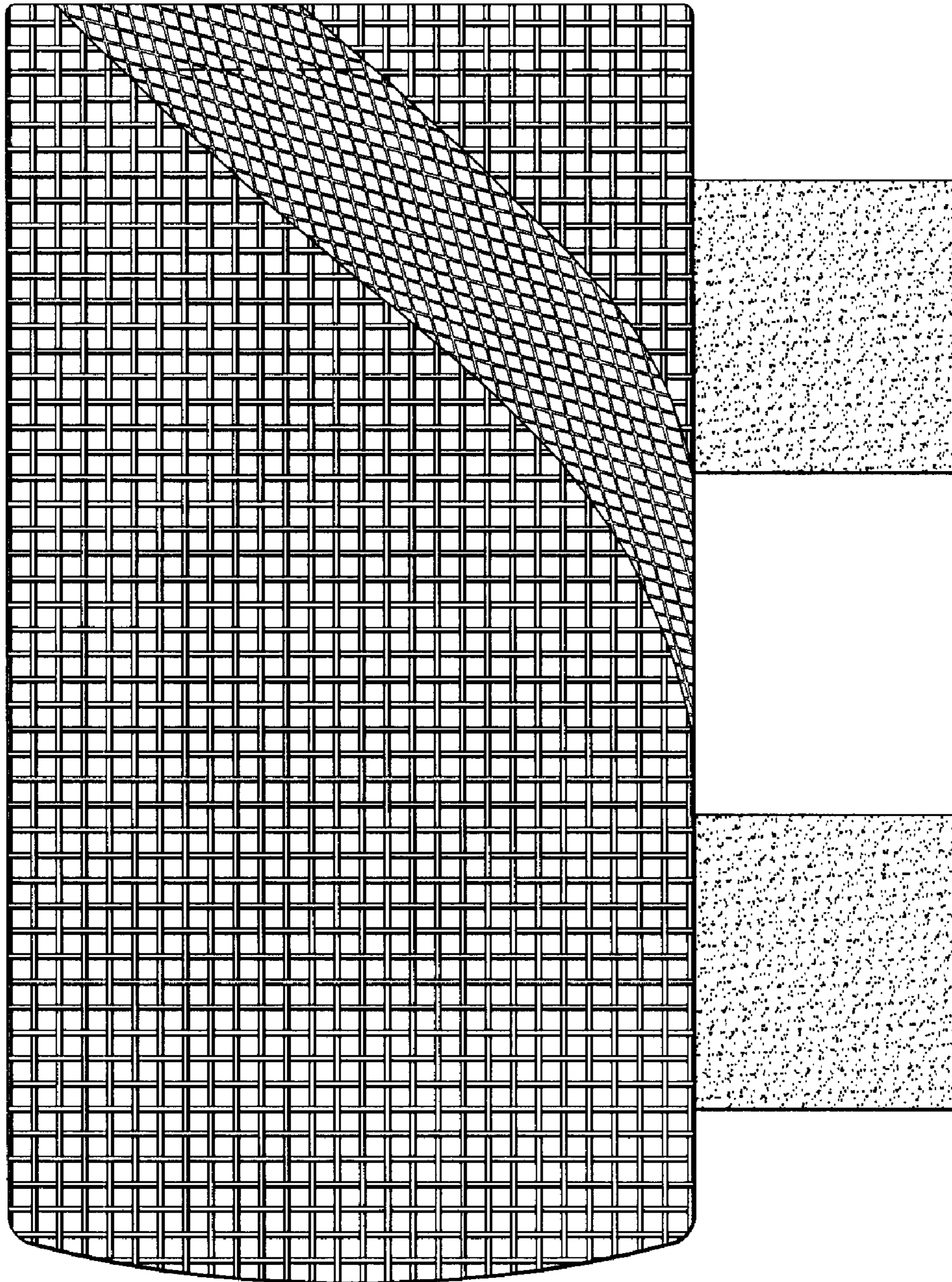


Fig. 2

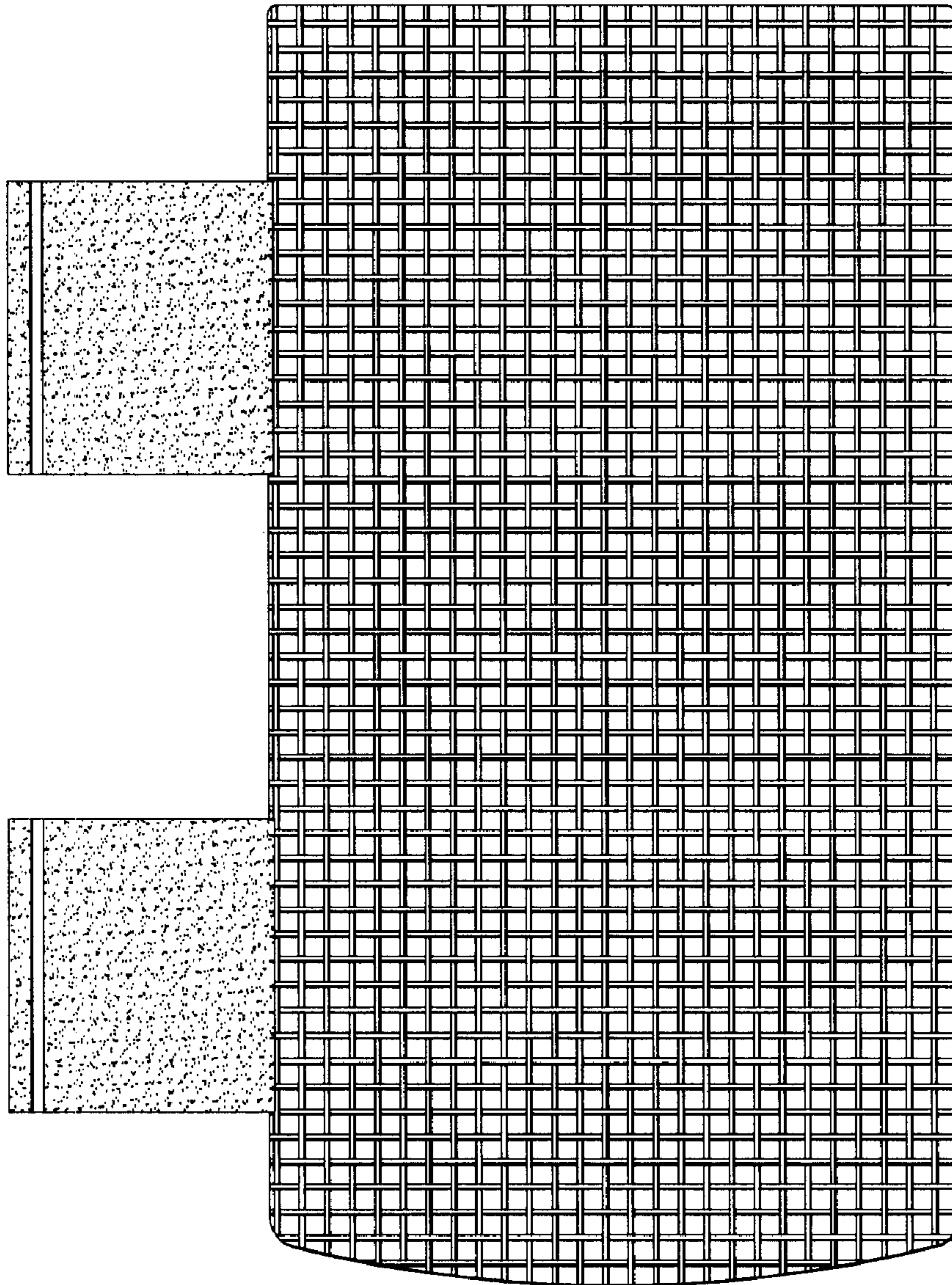


Fig. 3

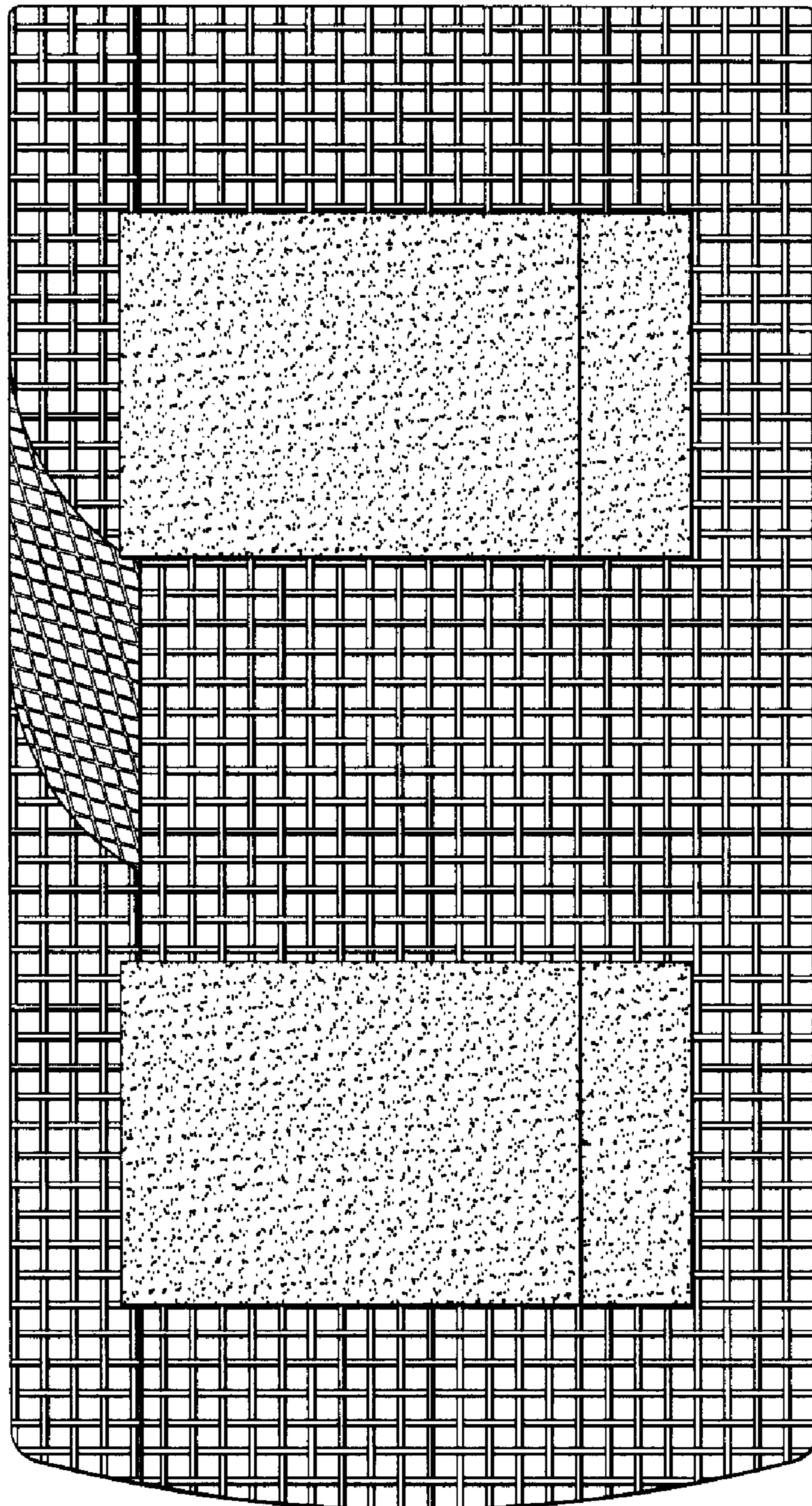


Fig. 4

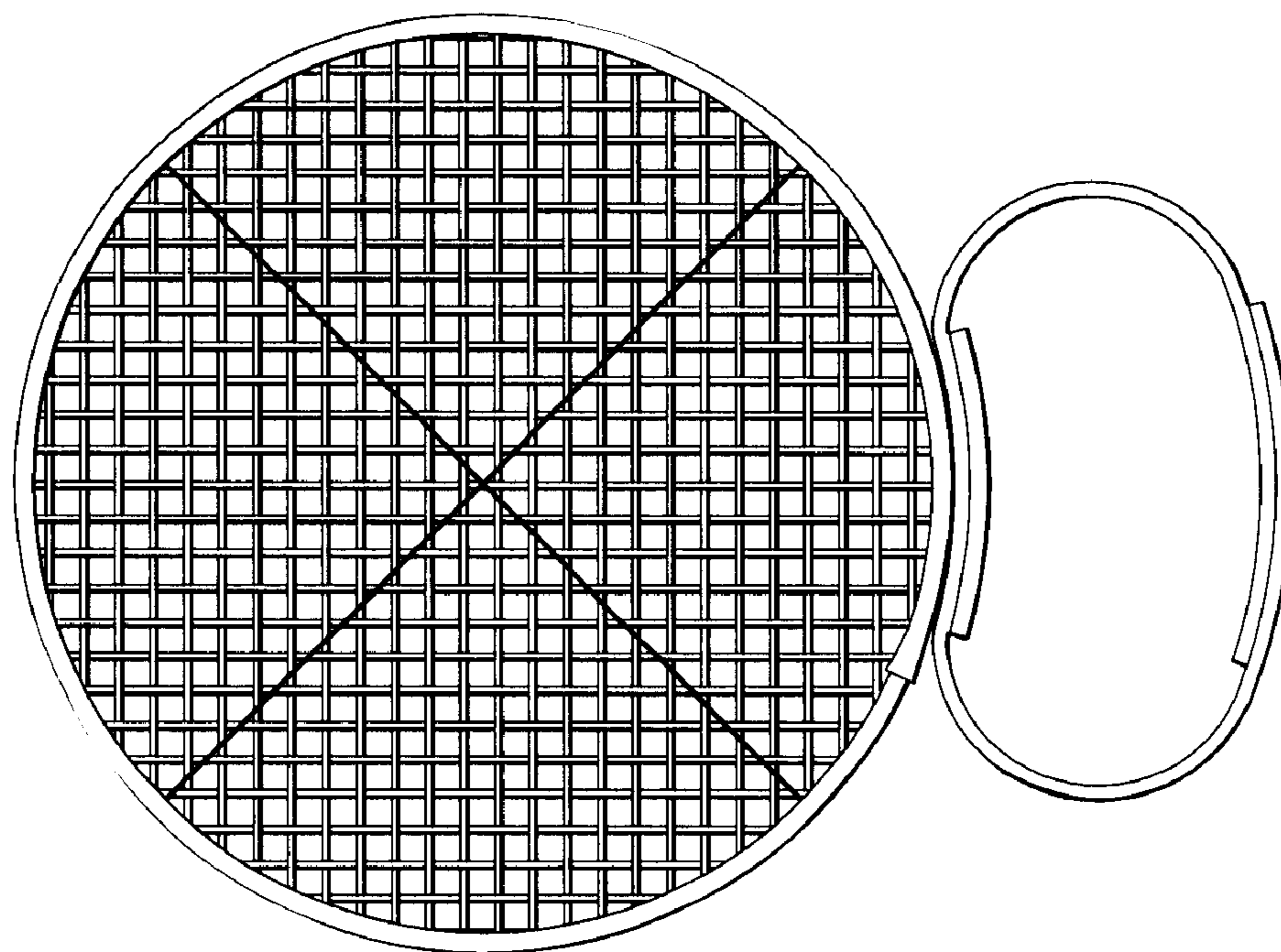


Fig. 5

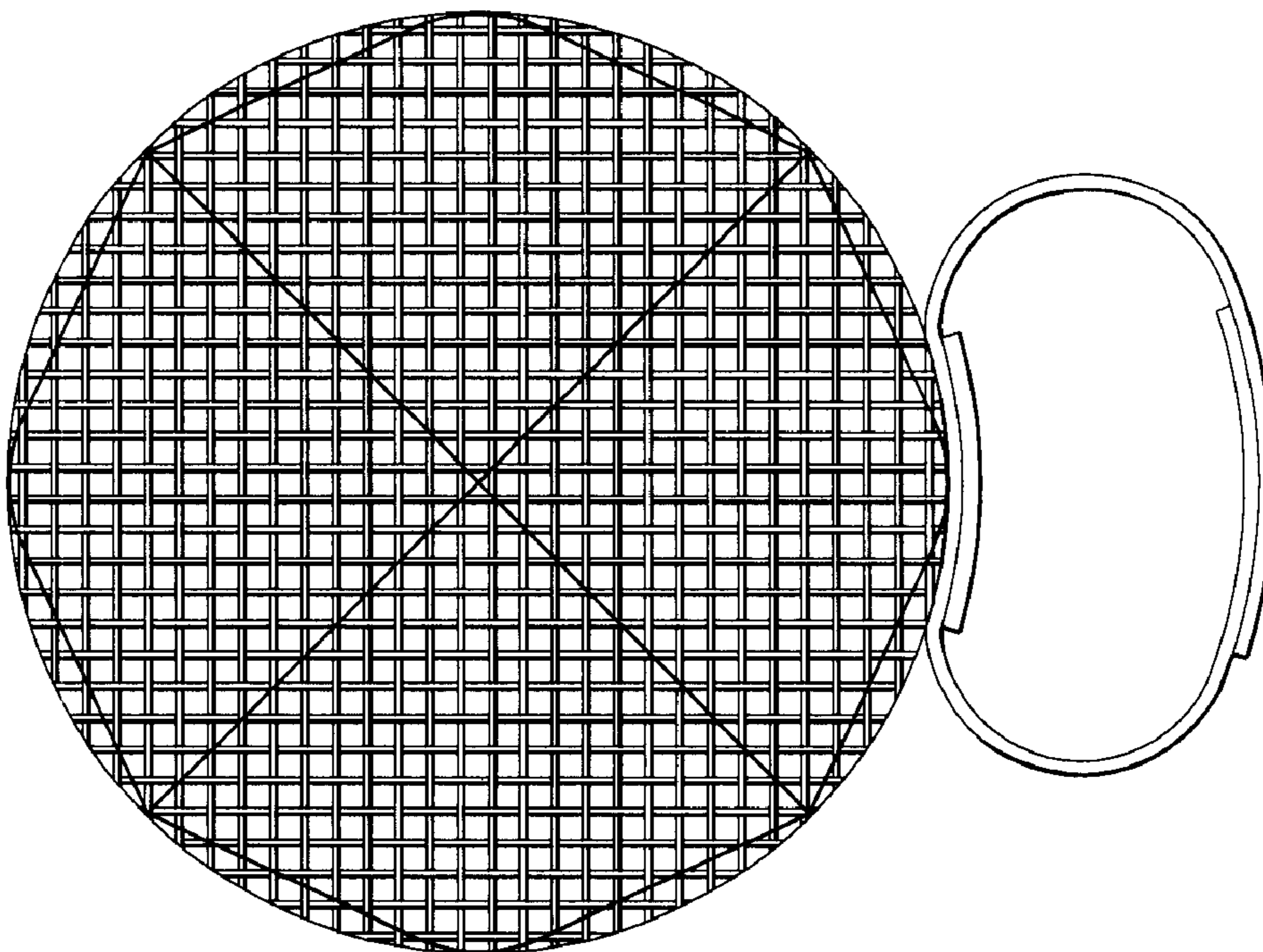


Fig. 6

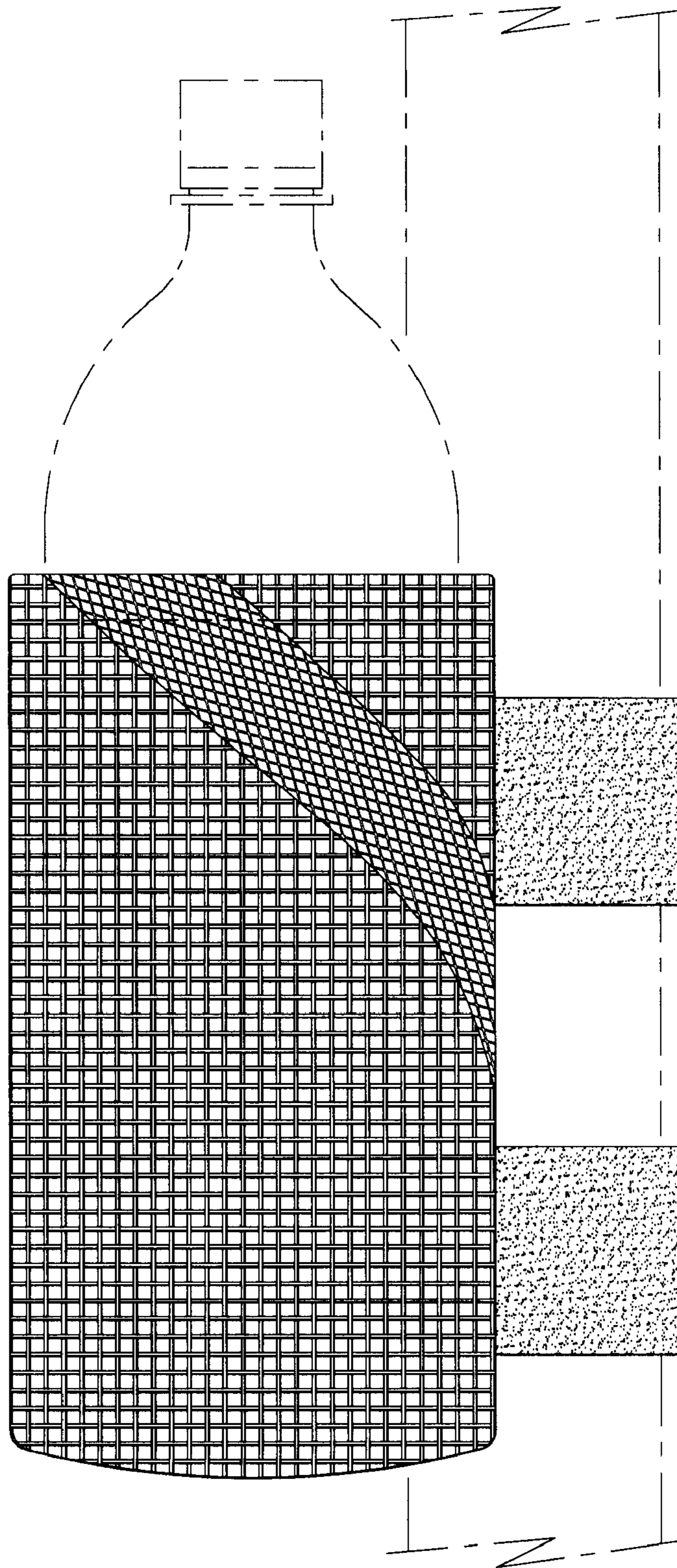


Fig. 7