



US00D531849S

(12) **United States Design Patent**
Turner

(10) **Patent No.:** **US D531,849 S**

(45) **Date of Patent:** **** Nov. 14, 2006**

(54) **STOVE**

(76) **Inventor:** **Benjamin Robert Turner**, 10 Sevem Road, Cardiff, CF11 9EB (GB)

(**) **Term:** **14 Years**

(21) **Appl. No.:** **29/209,935**

(22) **Filed:** **Jul. 23, 2004**

(51) **LOC (8) Cl.** **07-02**

(52) **U.S. Cl.** **D7/332**

(58) **Field of Classification Search** D7/332-337, D7/354, 361, 417, 362-367, 402; 126/25 R, 126/25 A, 25 AA, 25 B, 26, 2, 13, 274, 40, 126/41 R, 37 R, 38-39 R, 50, 304 R, 305, 126/9 R, 9 B, 19 M, 506; 99/450; 219/451.1, 219/452.11, 455.11, 385, 520, 450.1; 220/573.1
See application file for complete search history.

(56) **References Cited**

U.S. PATENT DOCUMENTS

D106,779 S * 11/1937 Andre D7/360
D196,827 S * 11/1963 Jarvis D7/417

D277,224 S * 1/1985 Cole et al. D7/417
D347,354 S * 5/1994 Naft D7/354
D459,144 S * 6/2002 Brady D7/354

* cited by examiner

Primary Examiner—Ruth McInroy

(74) *Attorney, Agent, or Firm*—Cook, Alex, McFarron, Manzo, Cummings & Mehler, Ltd.

(57) **CLAIM**

The ornamental design for a stove, as shown and described.

DESCRIPTION

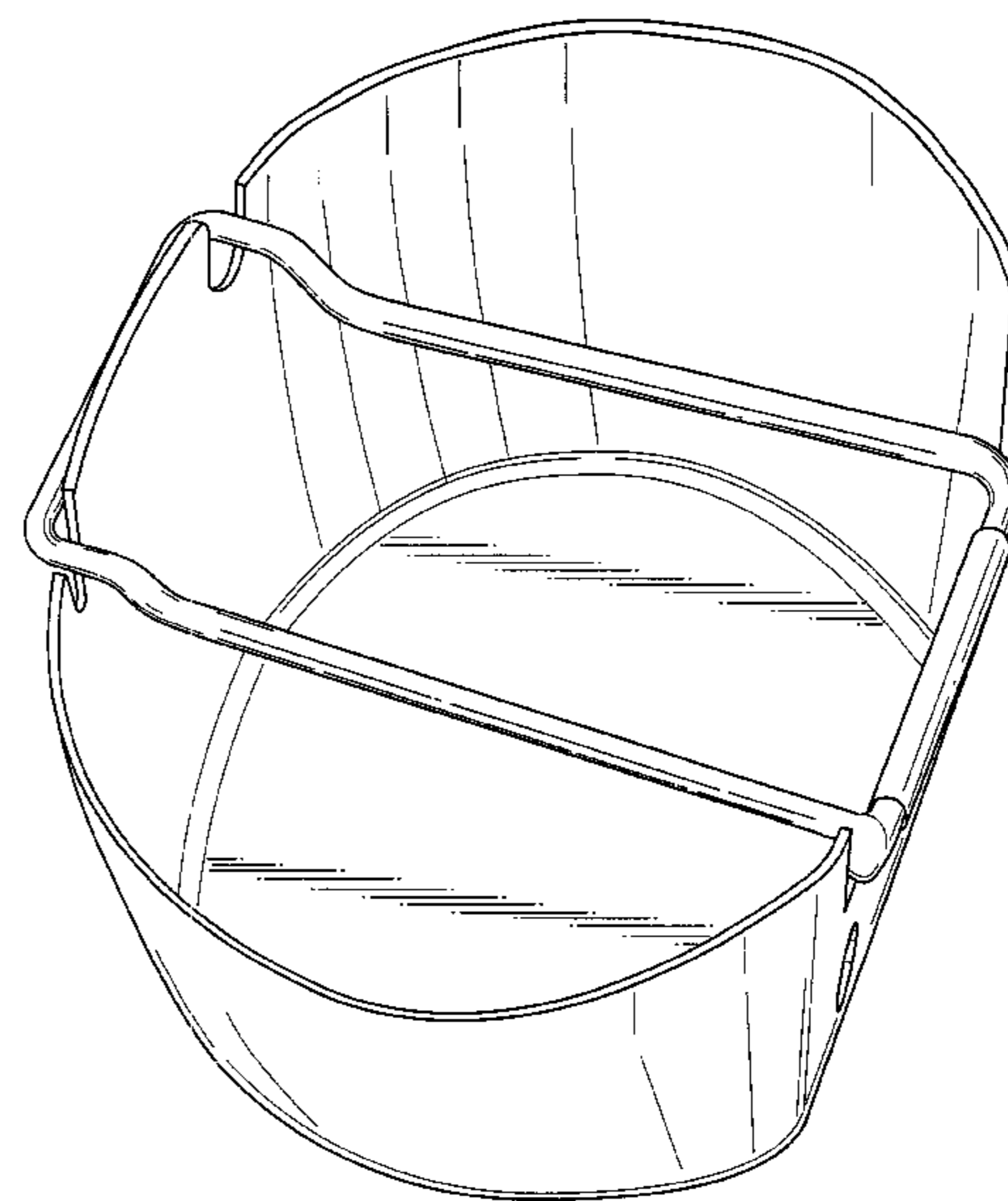
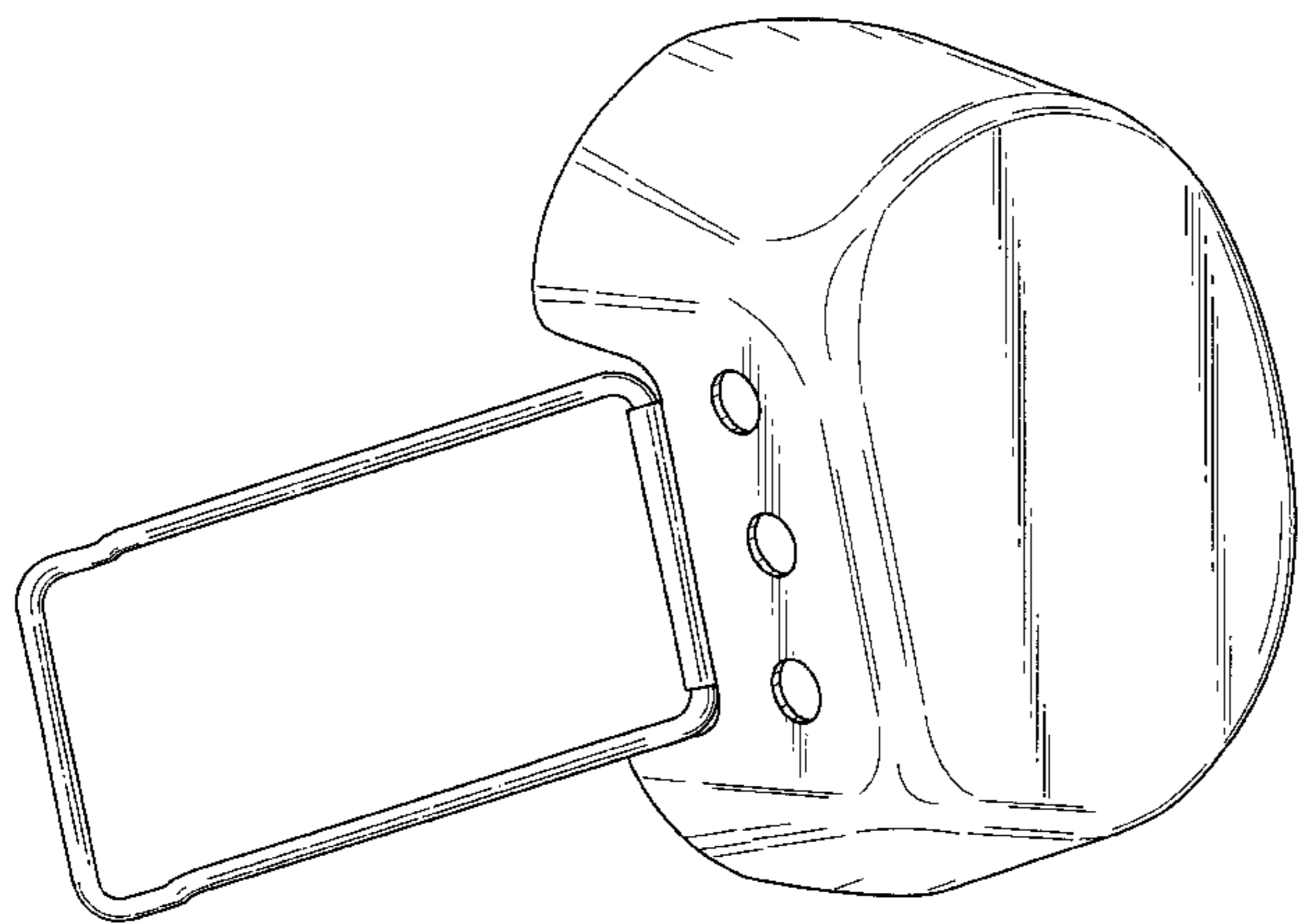
FIG. 1 is a bottom view of a stove showing my new design; FIG. 2 is a perspective view from above and the left side of the stove FIG. 1;

FIG. 3 is a perspective view from above and the front of the stove of FIG. 1;

FIG. 4 is a perspective view from above and the rear of the stove of FIG. 1; and,

FIG. 5 is a perspective view from above and the right side of the stove of FIG. 1.

1 Claim, 5 Drawing Sheets



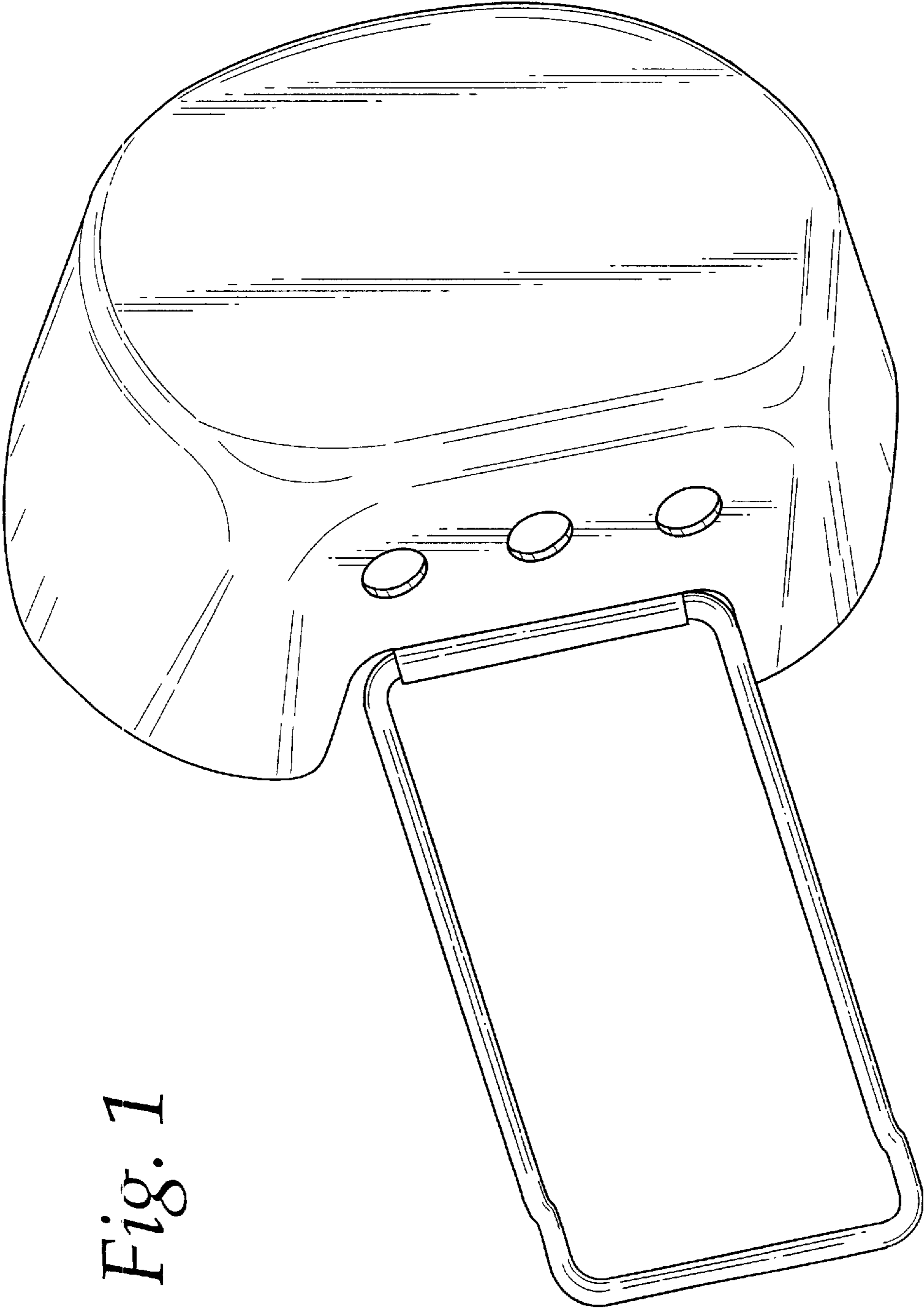


Fig. 1

Fig. 2

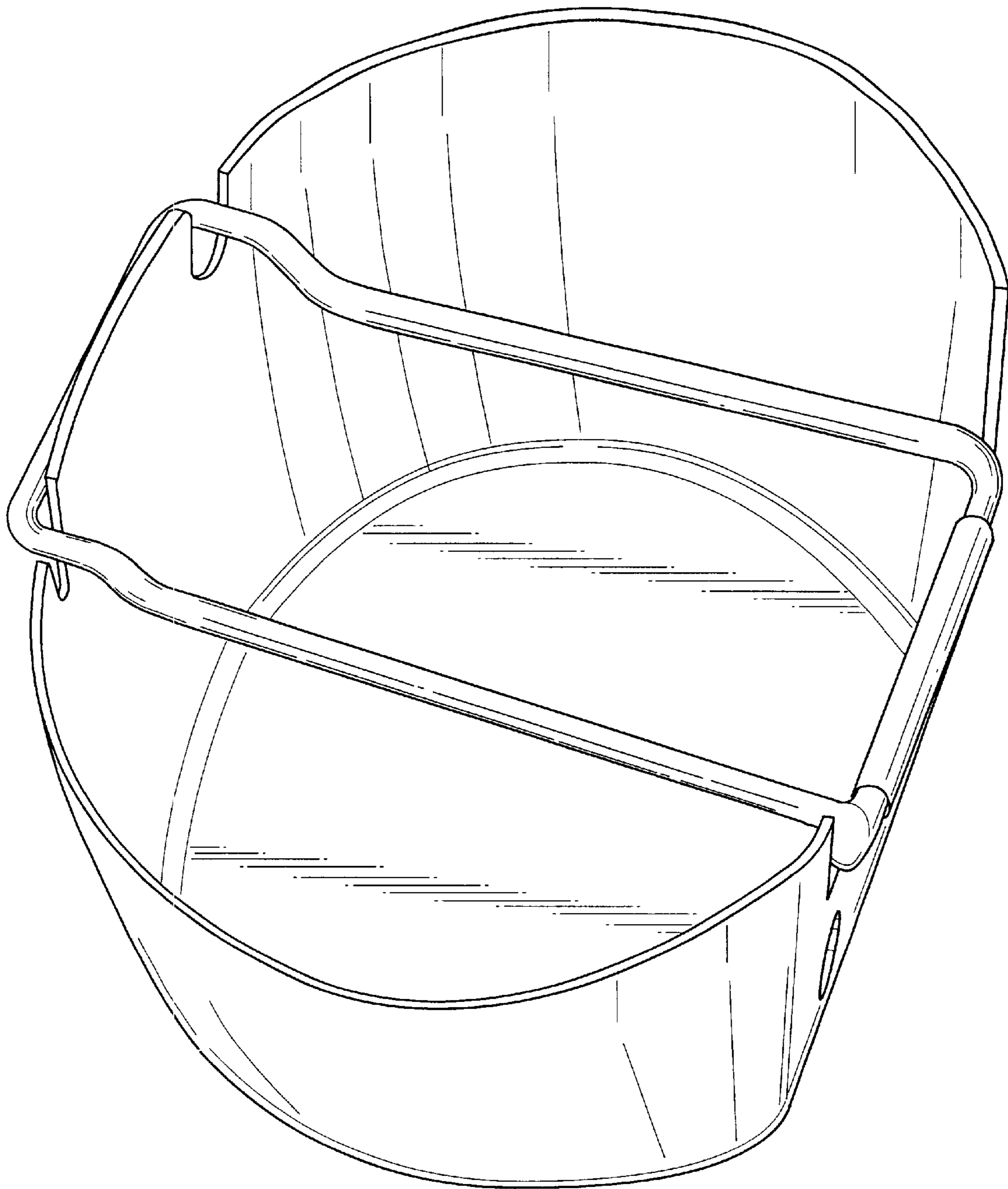
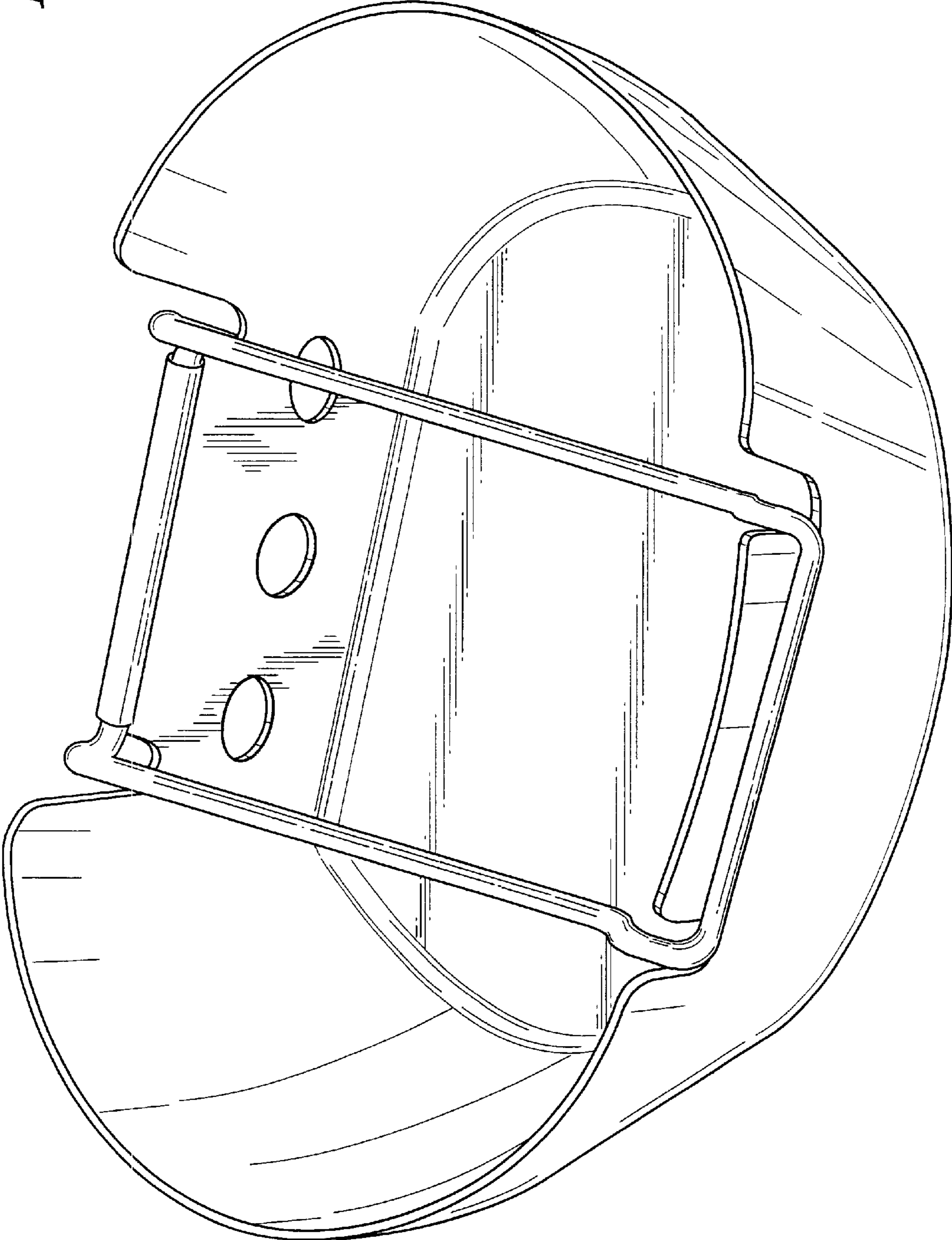


Fig. 3



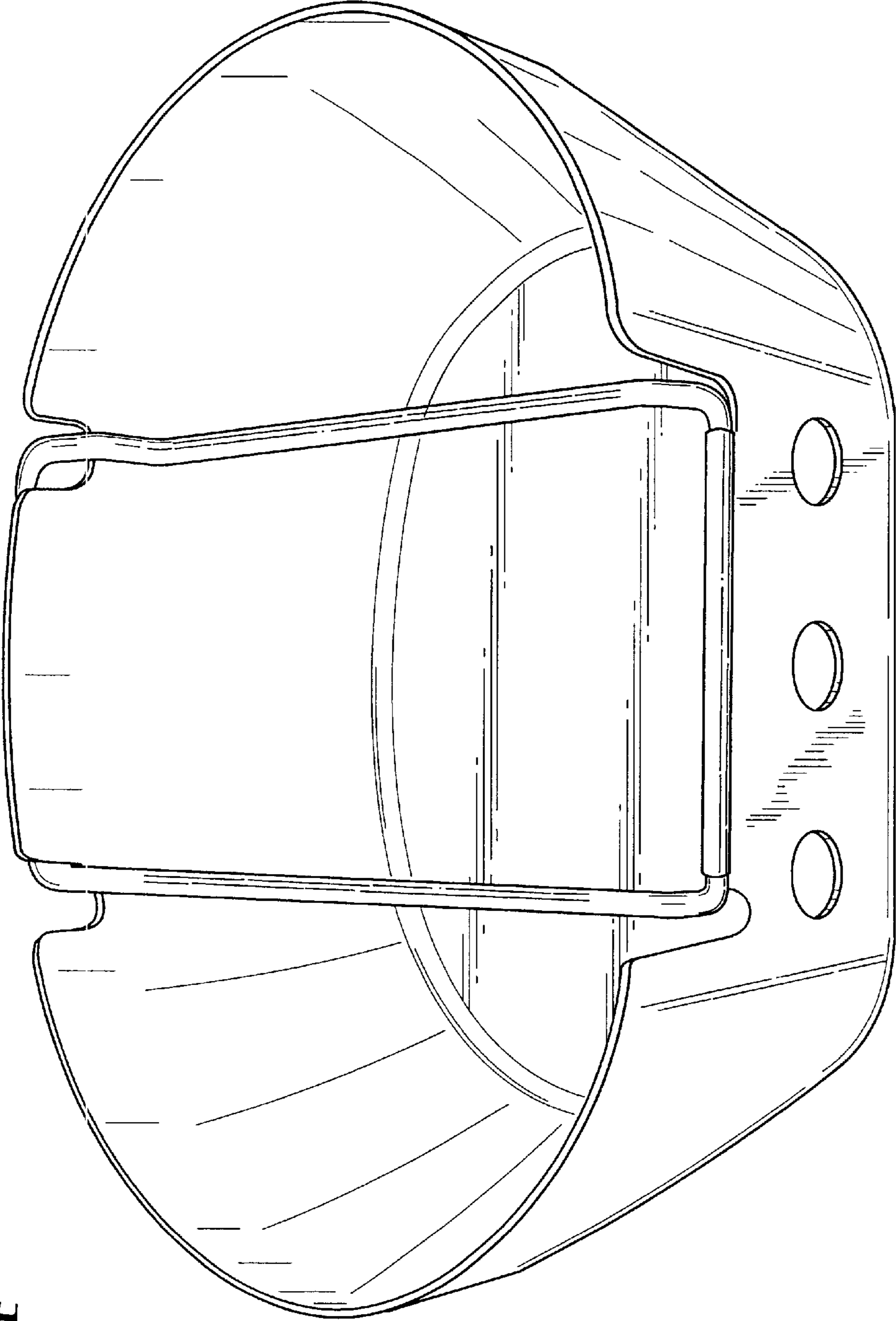


Fig. 4

Fig. 5

