



US00D531847S

(12) **United States Design Patent**
Lesniak

(10) **Patent No.:** **US D531,847 S**

(45) **Date of Patent:** **** Nov. 14, 2006**

(54) **FOOTBALL HELMET SHAPED SEAT CUSHION**

(76) Inventor: **Robert Brian Lesniak**, 12282
Wintergreen St., Rancho Cucamonga,
CA (US) 91739-1900

(**) Term: **14 Years**

(21) Appl. No.: **29/230,605**

(22) Filed: **May 24, 2005**

(51) **LOC (8) Cl.** **06-09**

(52) **U.S. Cl.** **D6/597**

(58) **Field of Classification Search** D6/595-598,
D6/601, 604, 358; 297/4, 181, 423.38; D2/870;
2/19, 158, 425; D29/102, 106, 107, 111;
5/722; D9/632; D11/81, 181

See application file for complete search history.

(56) **References Cited**

U.S. PATENT DOCUMENTS

3,843,197 A * 10/1974 Wright 297/423.38
D260,468 S * 9/1981 Huebner D6/597

D279,430 S * 7/1985 McLeroy D6/358
D301,990 S * 7/1989 Webb D11/81
D338,546 S * 8/1993 Barker D2/870
D359,645 S * 6/1995 Luccisano D6/601
D452,649 S * 1/2002 Davis D9/632
6,934,971 B1 * 8/2005 Ide et al. 2/425

* cited by examiner

Primary Examiner—Robert M. Spear
Assistant Examiner—Mary Ann Calabrese

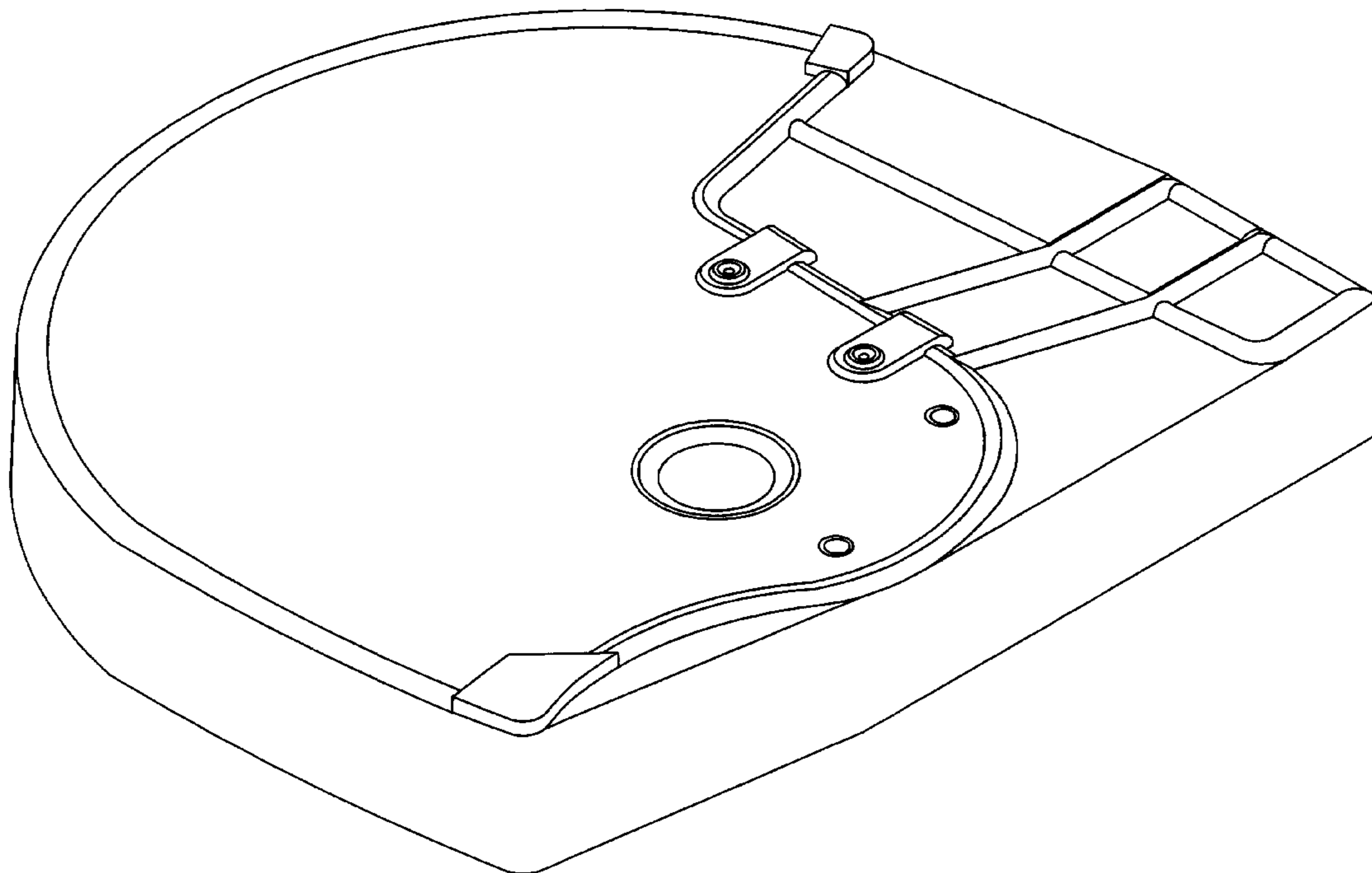
(57) **CLAIM**

The ornamental design for a football helmet shaped seat cushion, as shown.

DESCRIPTION

FIG. 1 is an enlarged perspective view of a football helmet shaped seat cushion showing my new design
FIG. 2 is a front elevational view thereof;
FIG. 3 is a top plan view thereof;
FIG. 4 is a right side elevational view thereof; and,
FIG. 5 is a bottom plan view thereof.

1 Claim, 2 Drawing Sheets



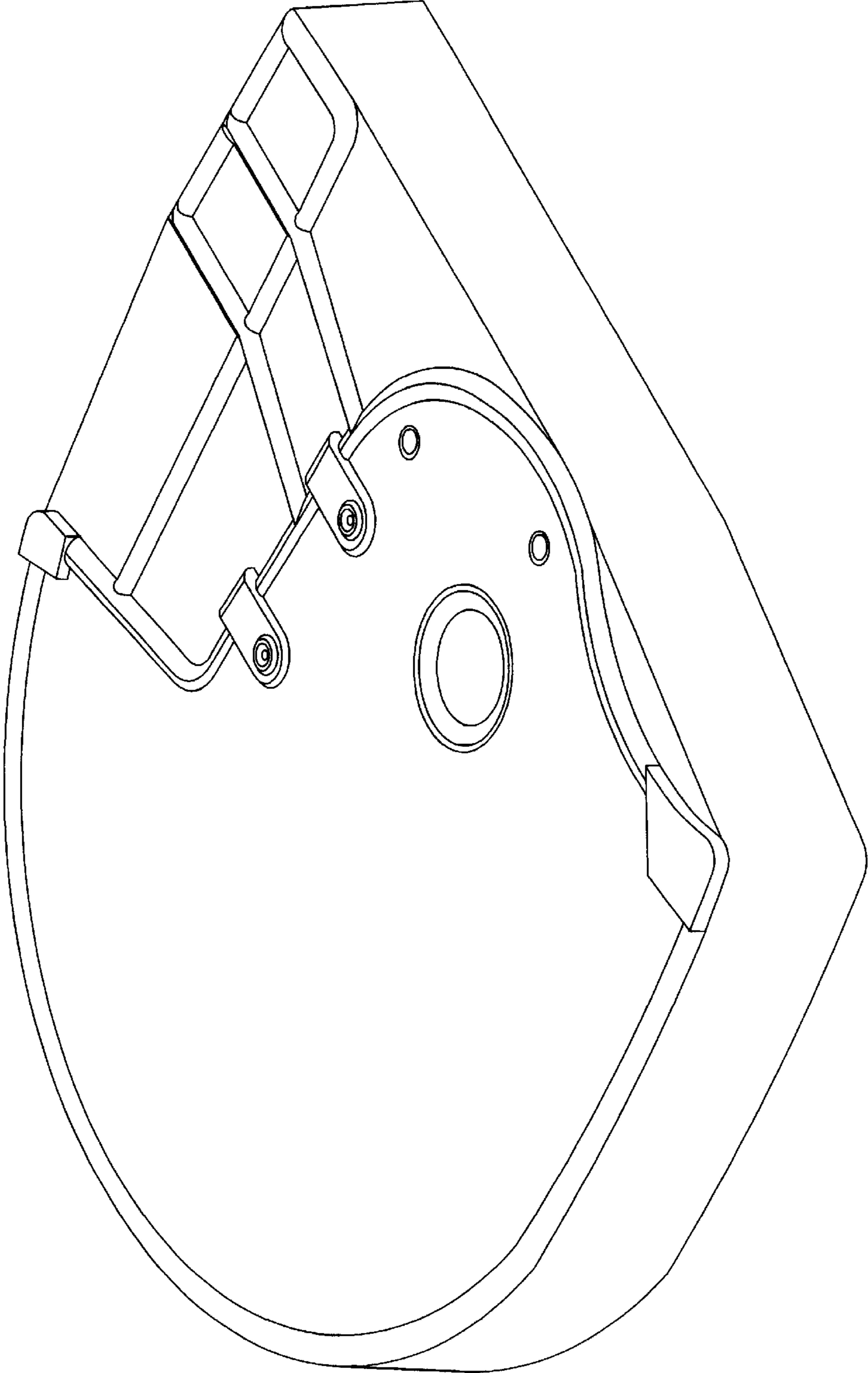


FIG. 1

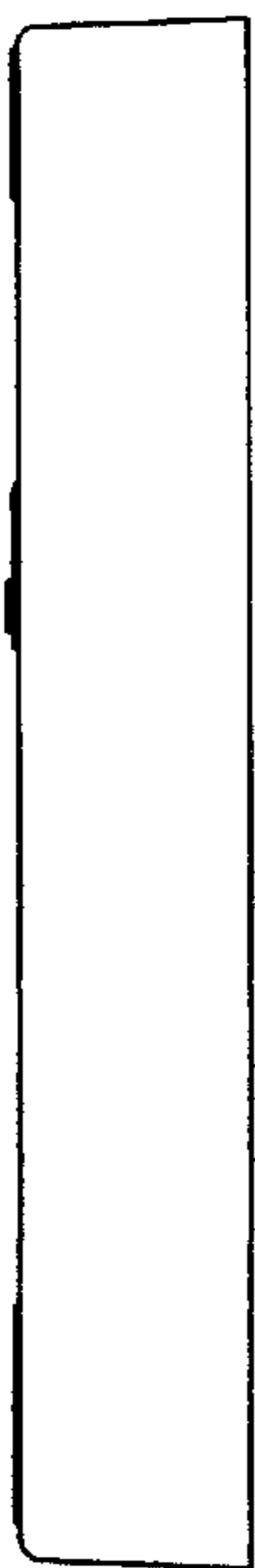


FIG. 2



FIG. 4

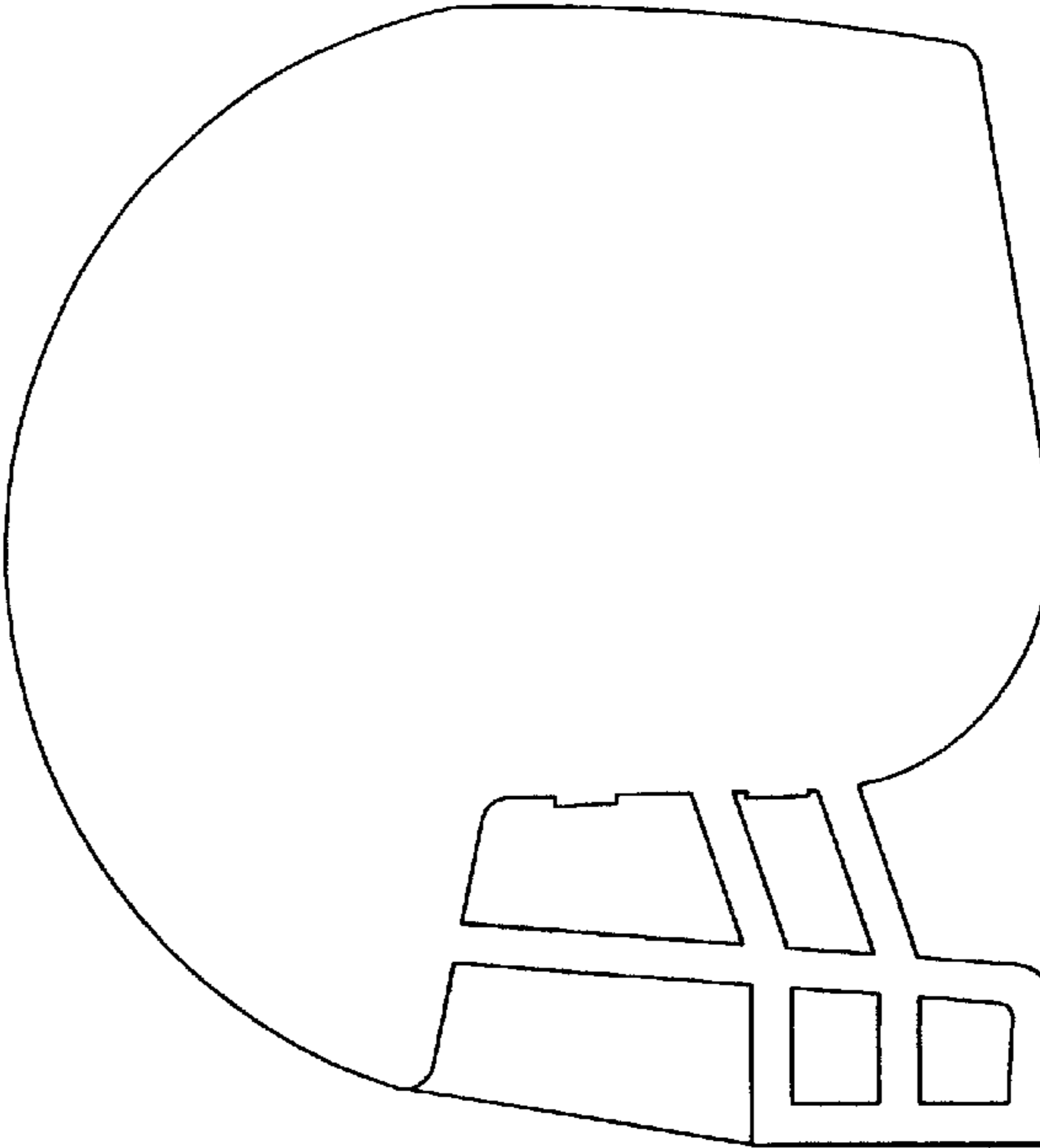


FIG. 5

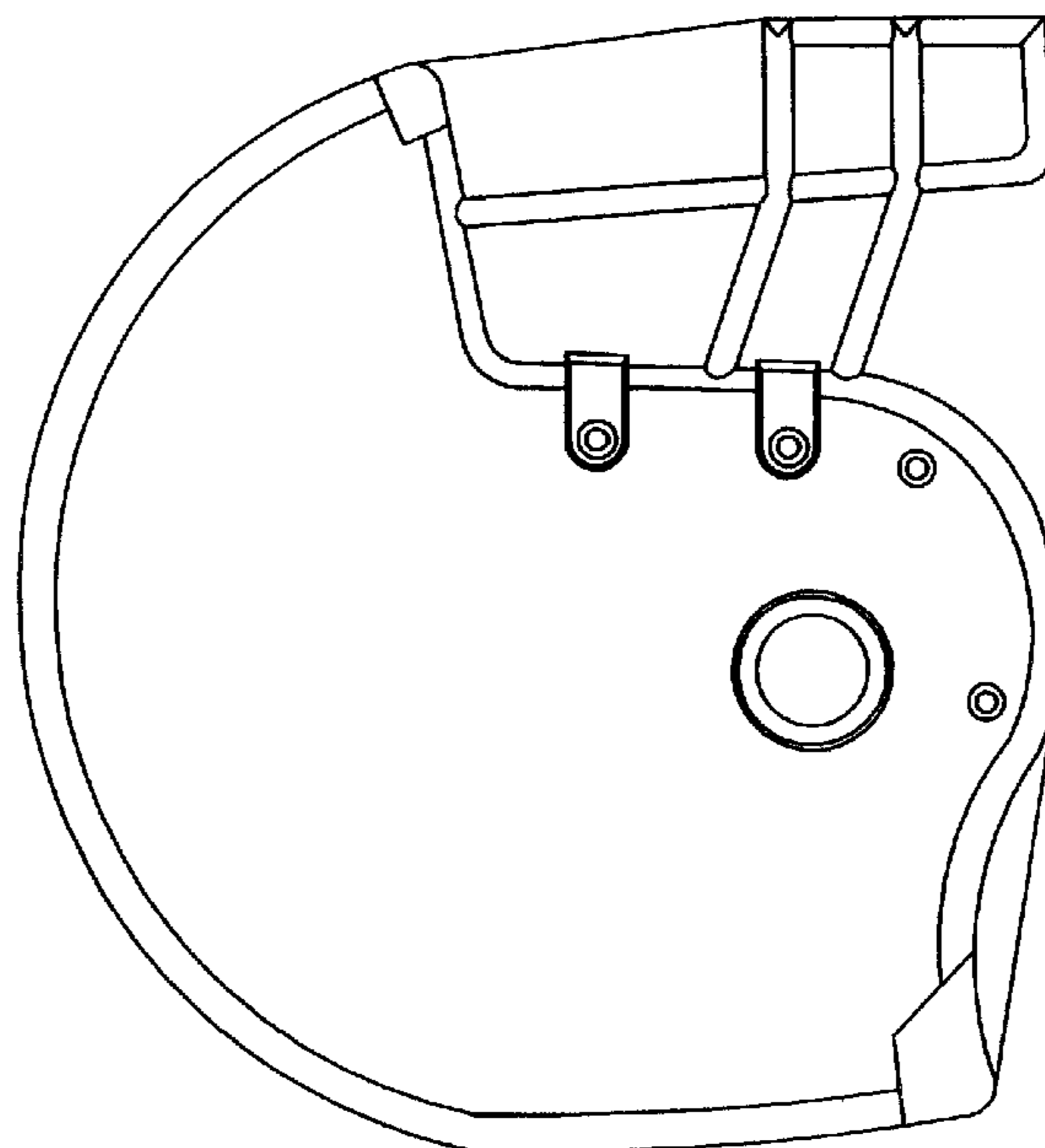


FIG. 3