



US00D531844S

(12) **United States Design Patent**  
**Snell**

(10) **Patent No.:** **US D531,844 S**

(45) **Date of Patent:** **\*\* Nov. 14, 2006**

(54) **SOAP AND SPONGE CADDY**

D480,643 S 10/2003 Dretzka  
D486,335 S \* 2/2004 Sonneman ..... D6/542  
D486,336 S 2/2004 Snell

(75) Inventor: **Russell Benton Snell**, Bentleyville, OH  
(US)

\* cited by examiner

(73) Assignee: **InterDesign, Inc.**, Solon, OH (US)

*Primary Examiner*—Brian N Vinson

(\*\*) Term: **14 Years**

(74) *Attorney, Agent, or Firm*—D. Peter Hochberg; Sean Mellino

(21) Appl. No.: **29/220,773**

(57) **CLAIM**

(22) Filed: **Jan. 6, 2005**

The ornamental design for a soap and sponge caddy, as shown and described.

(51) **LOC (8) Cl.** ..... **23-02**

(52) **U.S. Cl.** ..... **D6/542**

(58) **Field of Classification Search** ..... D6/542–545,  
D6/524, 527–528, 530–531; 221/282; 222/14,  
222/173, 146.3, 628, 251, 181.1, 181.3; D9/682,  
D9/688, 690, 691, 448, 449

See application file for complete search history.

**DESCRIPTION**

FIG. 1 is a perspective view of the soap and sponge caddy according to the invention;

FIG. 2 is a top view of the soap and sponge caddy as shown in FIG. 1;

FIG. 3 is a front view of the soap and sponge caddy as shown in FIG. 1;

FIG. 4 is a side view of the soap and sponge caddy as shown in FIG. 1;

FIG. 5 is a side view of the soap and sponge caddy as shown in FIG. 1, viewed from the opposite side of that shown in FIG. 4;

FIG. 6 is a rear view of the soap and sponge caddy as shown in FIG. 1; and,

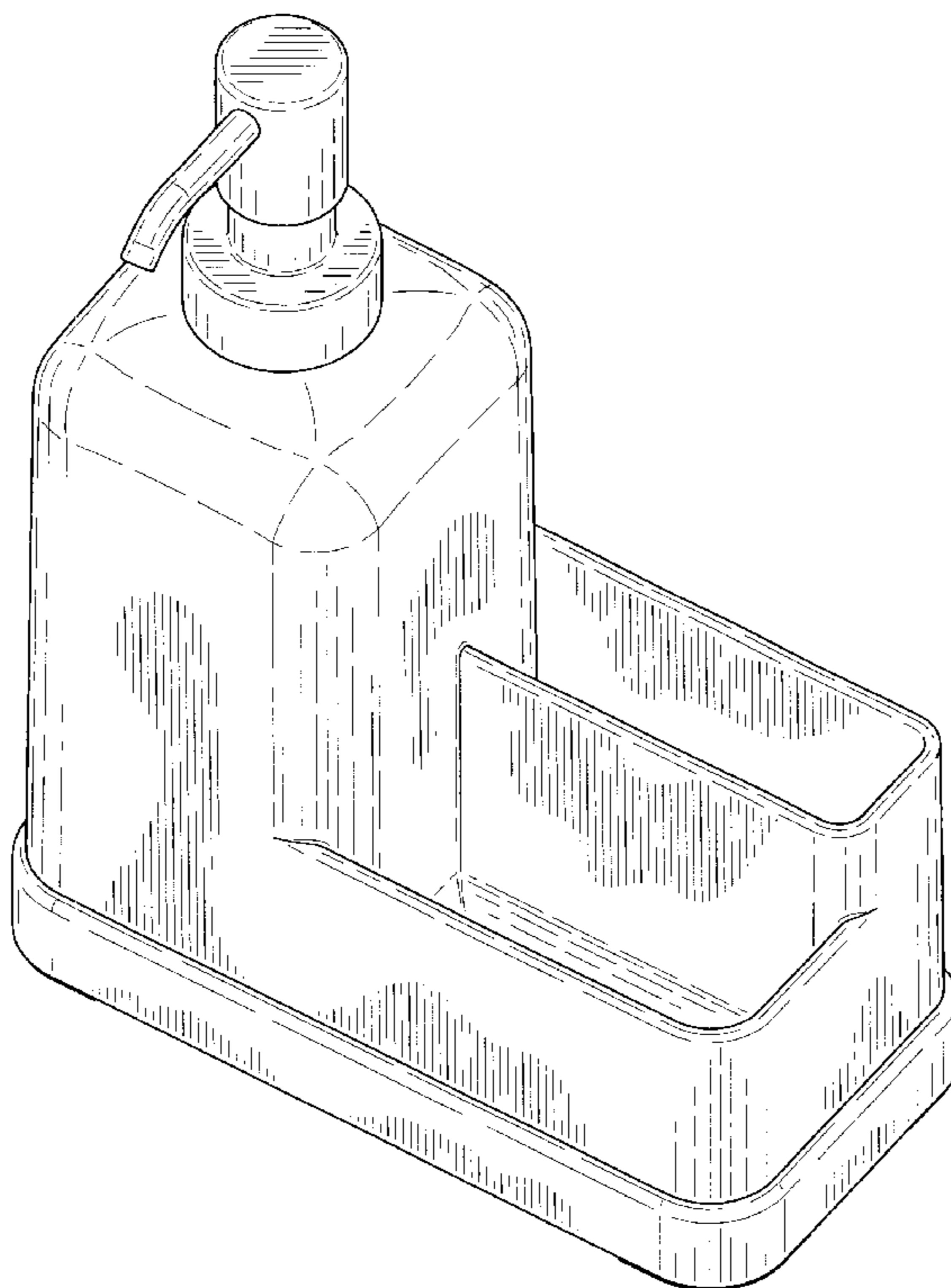
FIG. 7 is a bottom view of the soap and sponge caddy as shown in FIG. 1.

(56) **References Cited**

U.S. PATENT DOCUMENTS

D106,053 S	*	9/1937	Maguire	.....	D6/542
D200,290 S	*	2/1965	Turner	.....	D6/531
D332,739 S	*	1/1993	Petschek	.....	D9/688
D375,643 S	*	11/1996	Copeland et al.	.....	D6/542
D396,590 S	*	8/1998	Warshawsky	.....	D6/542
D416,154 S	*	11/1999	Diehl	.....	D6/542
D417,469 S	*	12/1999	Avery et al.	.....	D6/528
D423,265 S	*	4/2000	Azo	.....	D6/528
D426,093 S	*	6/2000	Cayouette	.....	D6/542
D438,041 S	*	2/2001	Huang	.....	D6/542

**1 Claim, 4 Drawing Sheets**



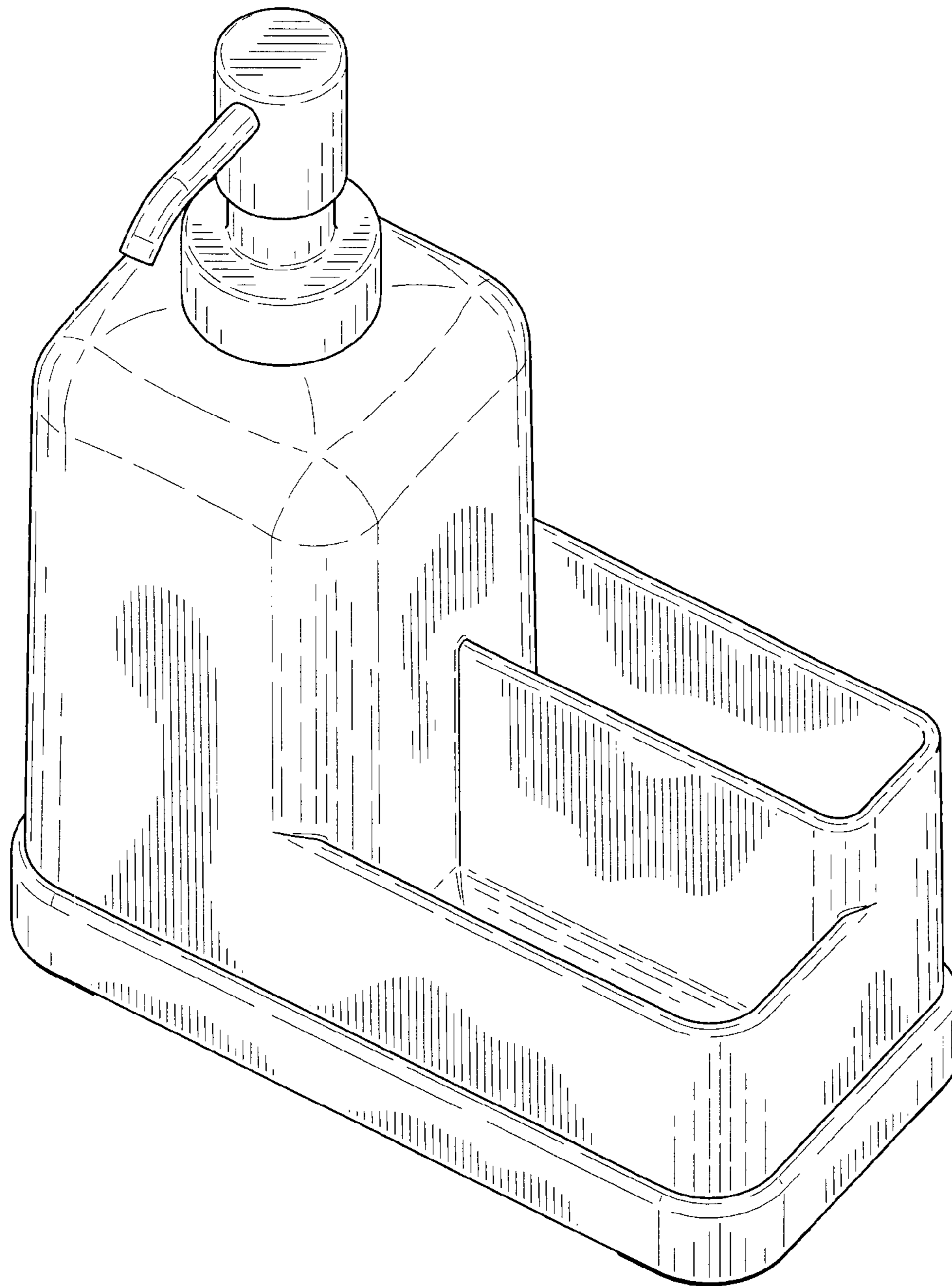


FIG-1

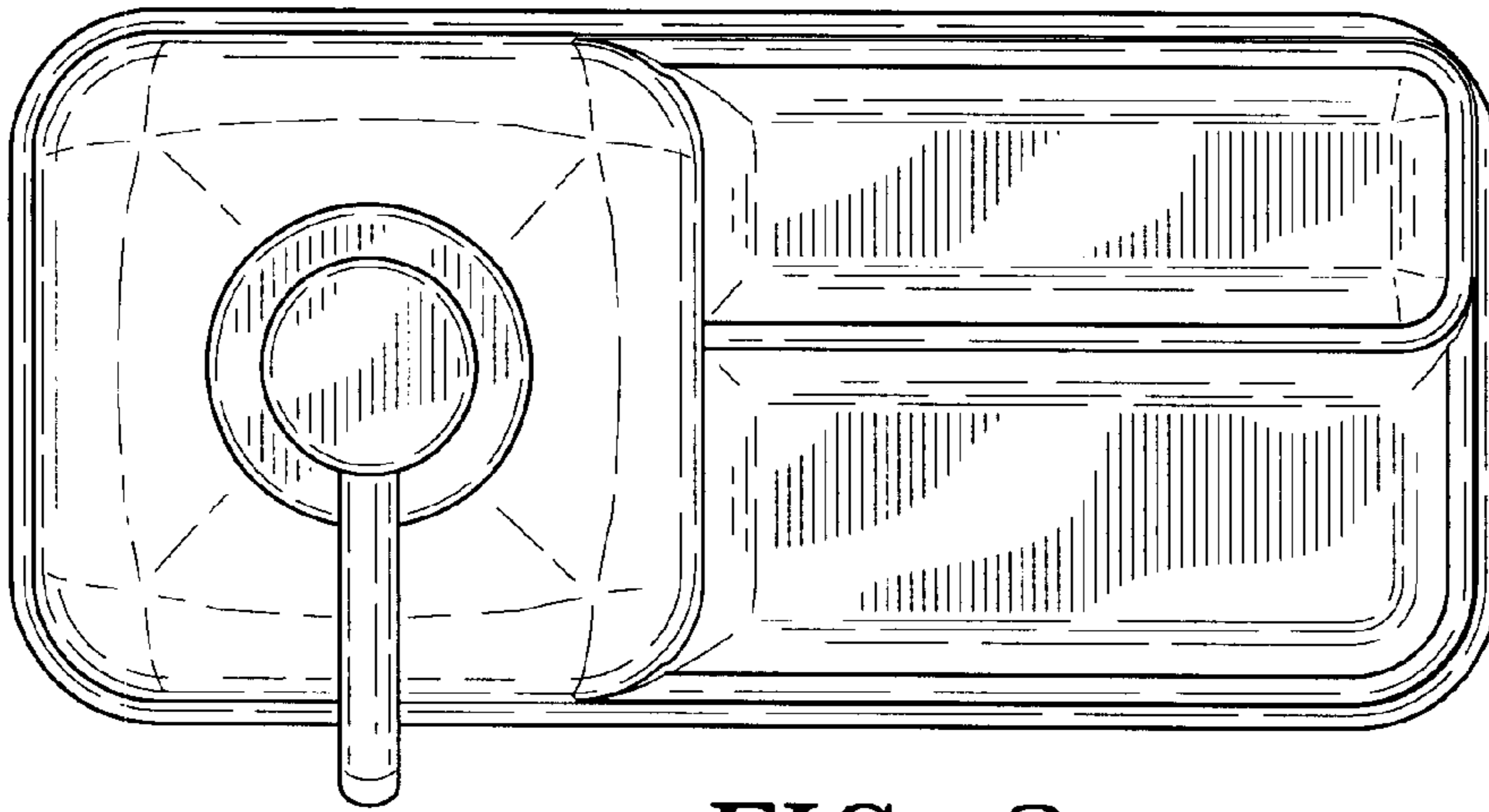


FIG-2

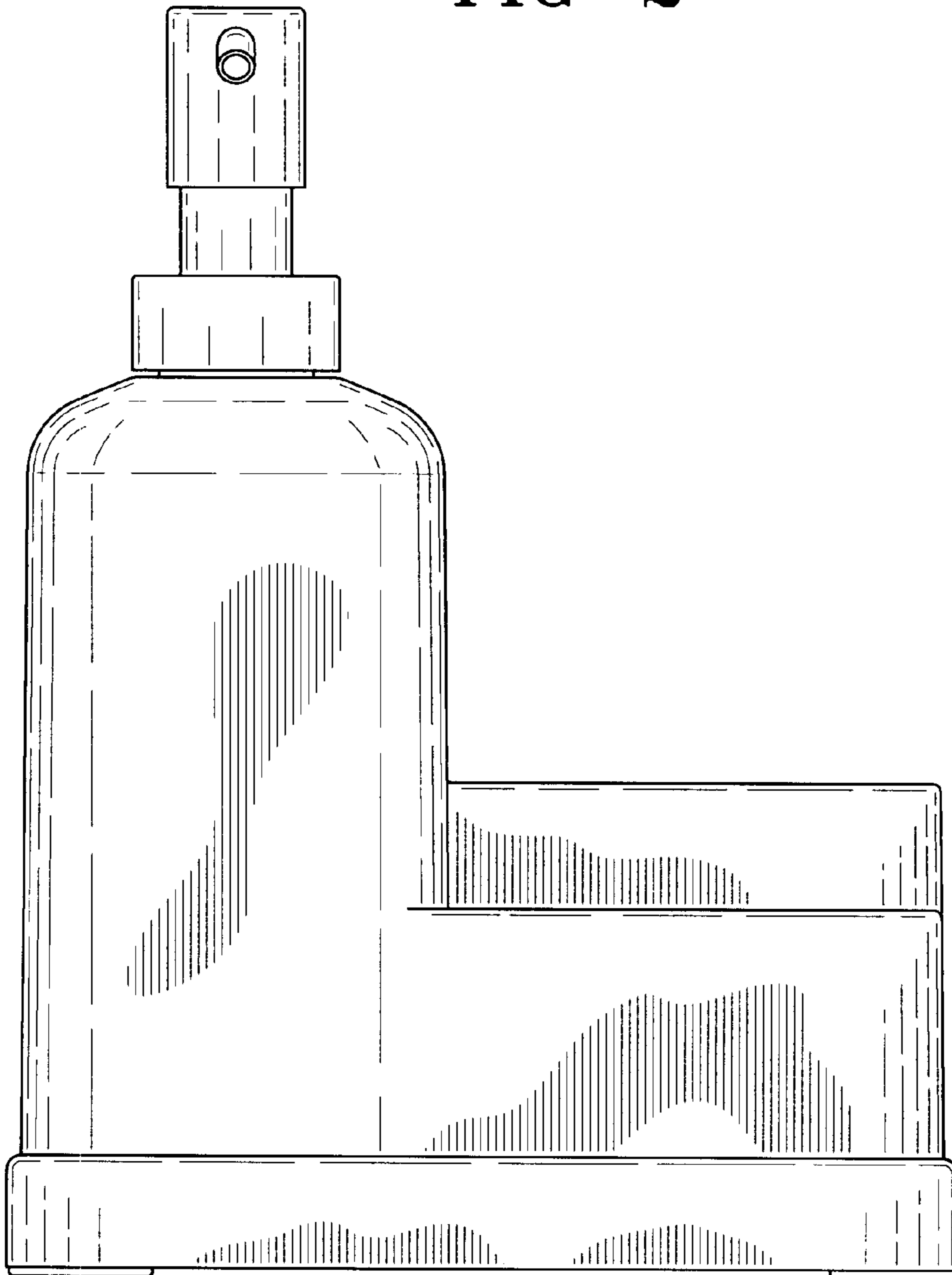


FIG-3

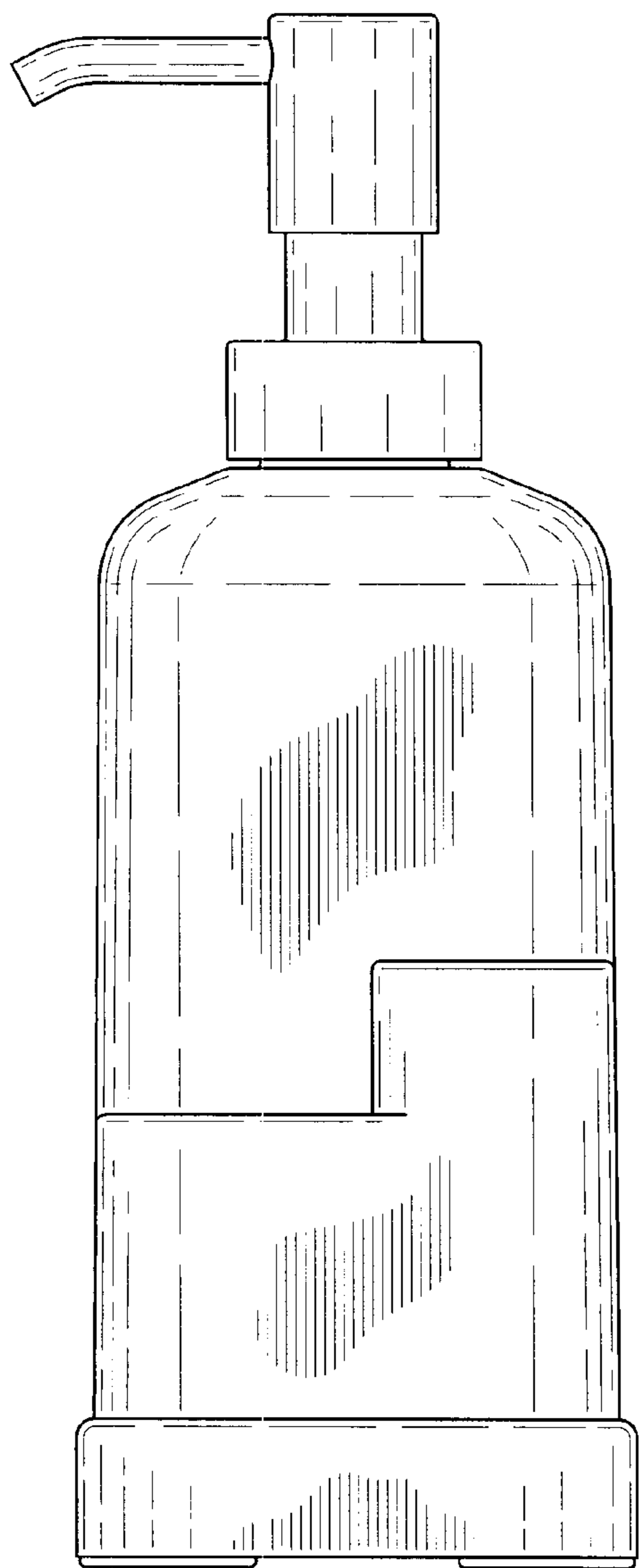


FIG-4

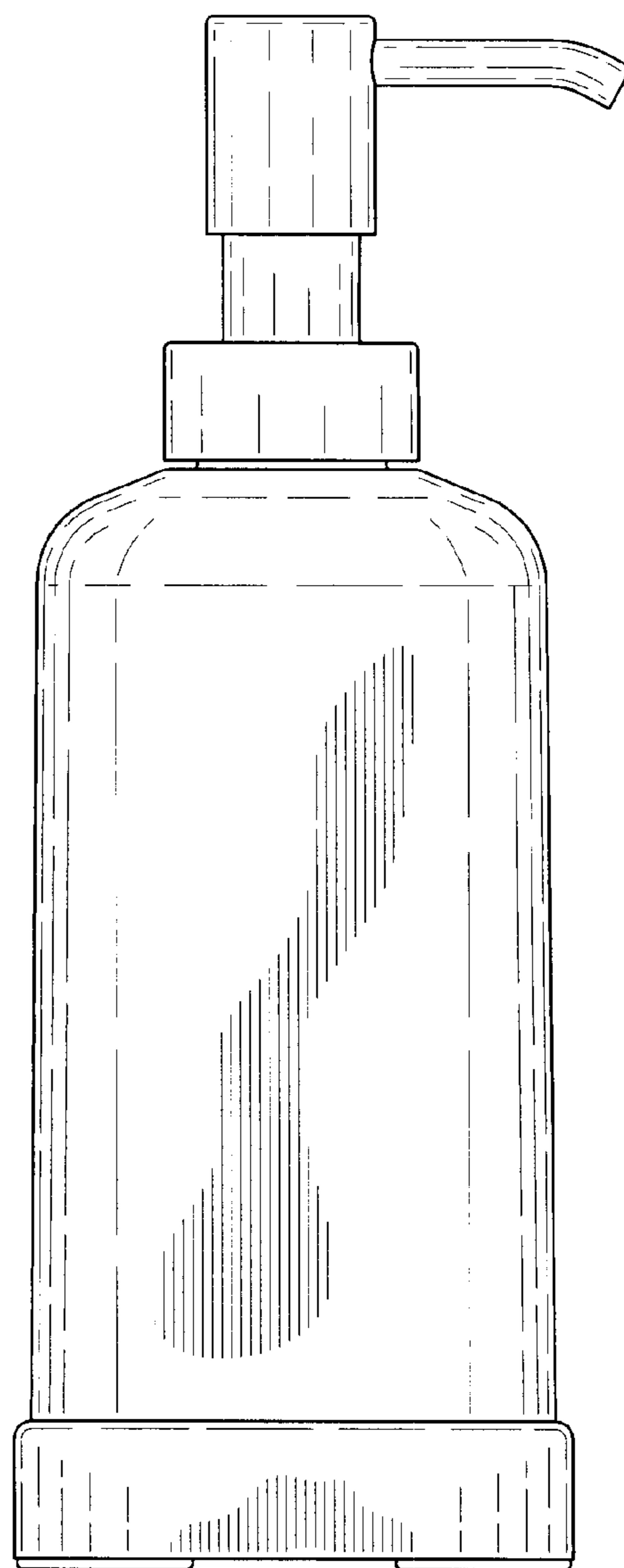


FIG-5

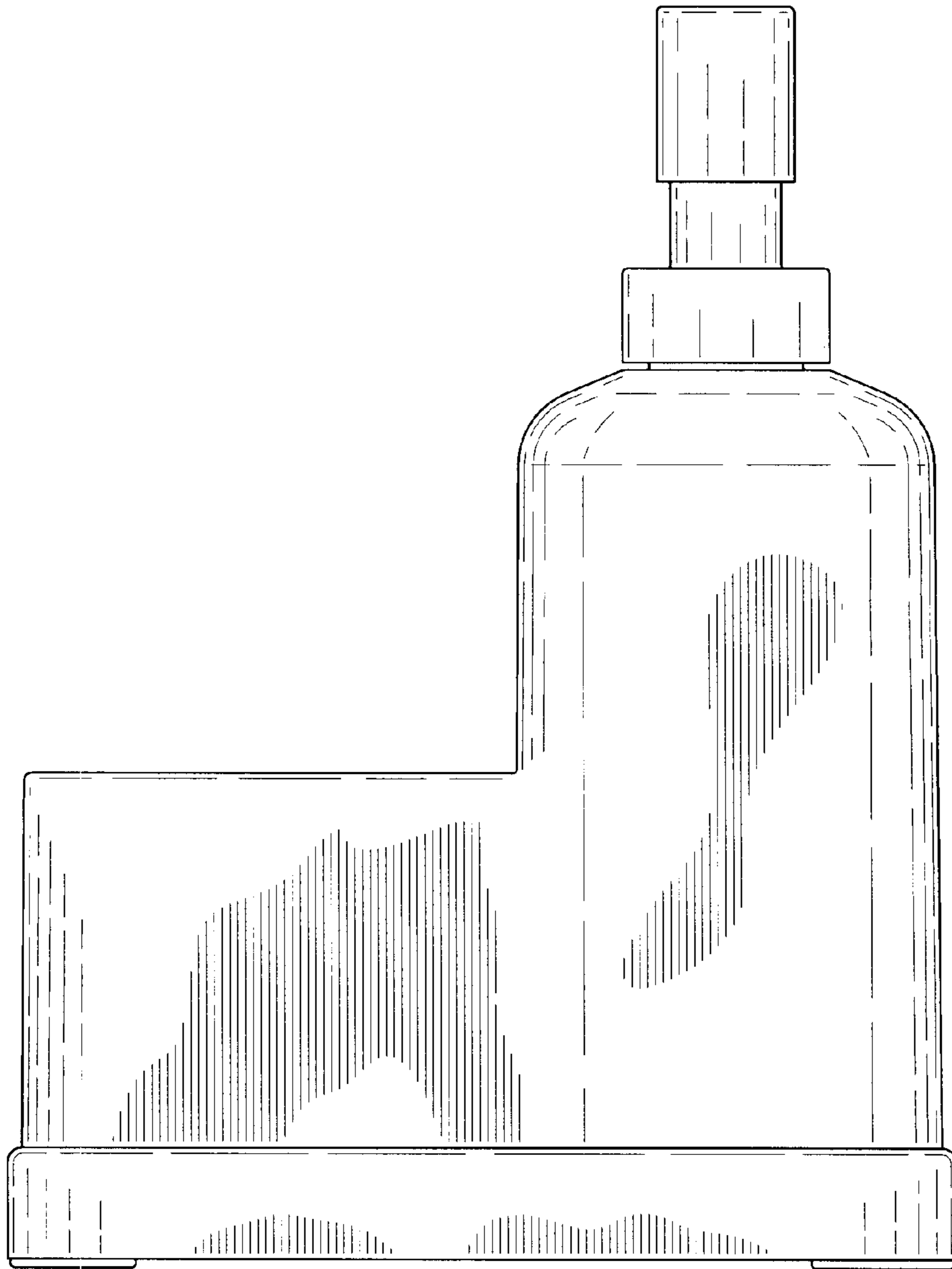


FIG-6

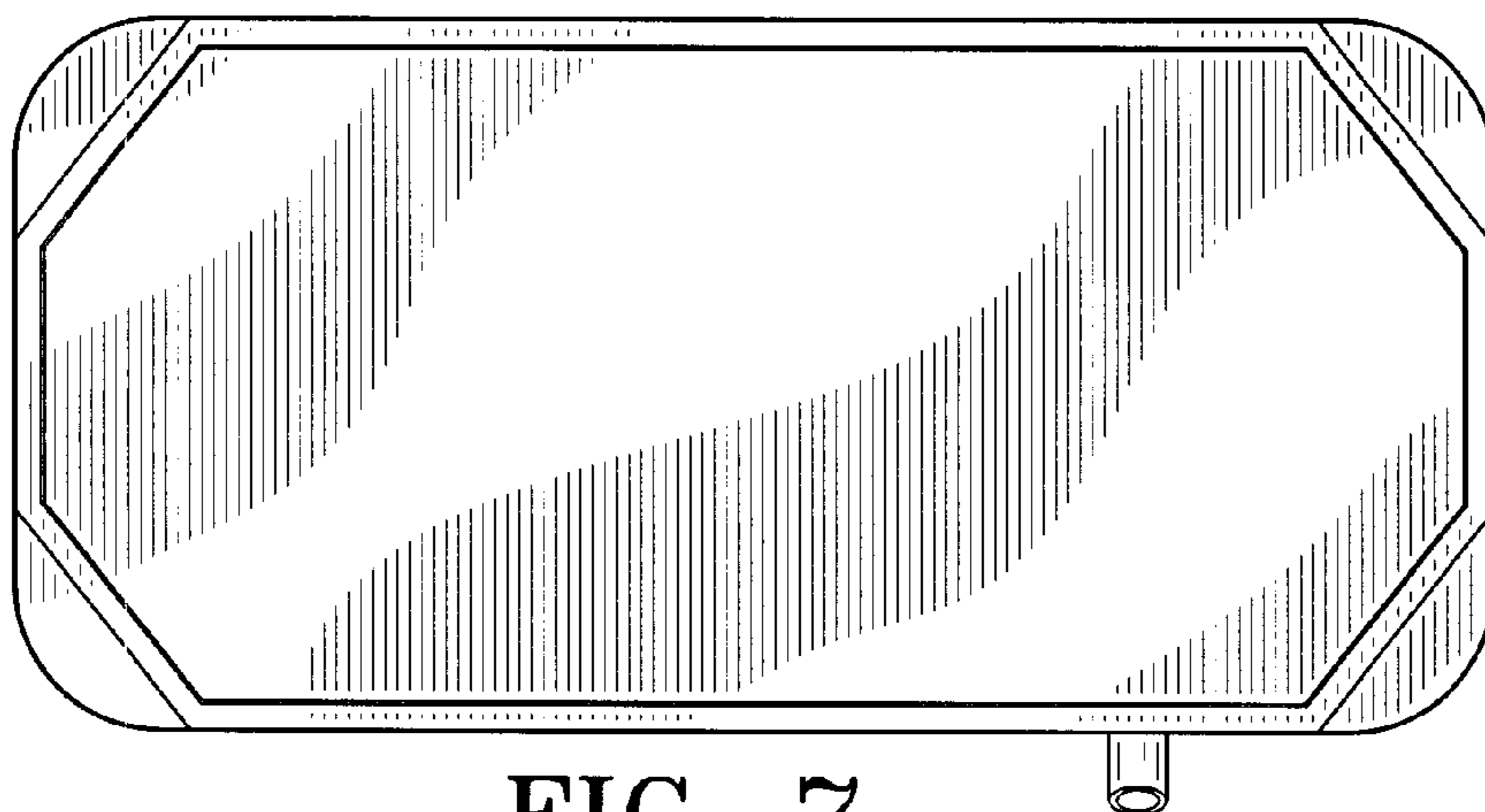


FIG-7