



US00D531837S

(12) **United States Design Patent**
Sexton

(10) **Patent No.:** **US D531,837 S**

(45) **Date of Patent:** **** Nov. 14, 2006**

(54) **AUDIO-VIDEO STORAGE UNIT**

(76) **Inventor:** **James S. Sexton**, 4246 Golden Oak Ct.,
Danville, CA (US) 94506

(**) **Term:** **14 Years**

(21) **Appl. No.:** **29/240,015**

(22) **Filed:** **Oct. 5, 2005**

(51) **LOC (8) Cl.** **06-04**

(52) **U.S. Cl.** **D6/474**

(58) **Field of Classification Search** D6/460,
D6/461, 468, 474, 477-479; 312/7.2, 9.1;
108/59, 91, 92, 96; 211/40, 41.12, 42, 49.1,
211/50, 85.2, 90.04, 187, 190, 119.003, 134.153,
211/87.01, 71.01; D14/129

See application file for complete search history.

(56) **References Cited**

U.S. PATENT DOCUMENTS

D375,004 S * 10/1996 Josefsson D6/477

D402,486 S * 12/1998 Wada et al. D6/479

D491,750 S * 6/2004 Bertoncini D6/474

D505,573 S * 5/2005 Malizia D6/474

* cited by examiner

Primary Examiner—Cathron C. Brooks

(74) *Attorney, Agent, or Firm*—Paul W. Vapnek; Townsend
and Townsend and Crew, LLP

(57) **CLAIM**

The ornamental design for an audio-video storage unit, as
shown and described.

DESCRIPTION

FIG. 1 is a perspective view of an audio-video storage unit
showing my new design;

FIG. 2 is a top plan view thereof;

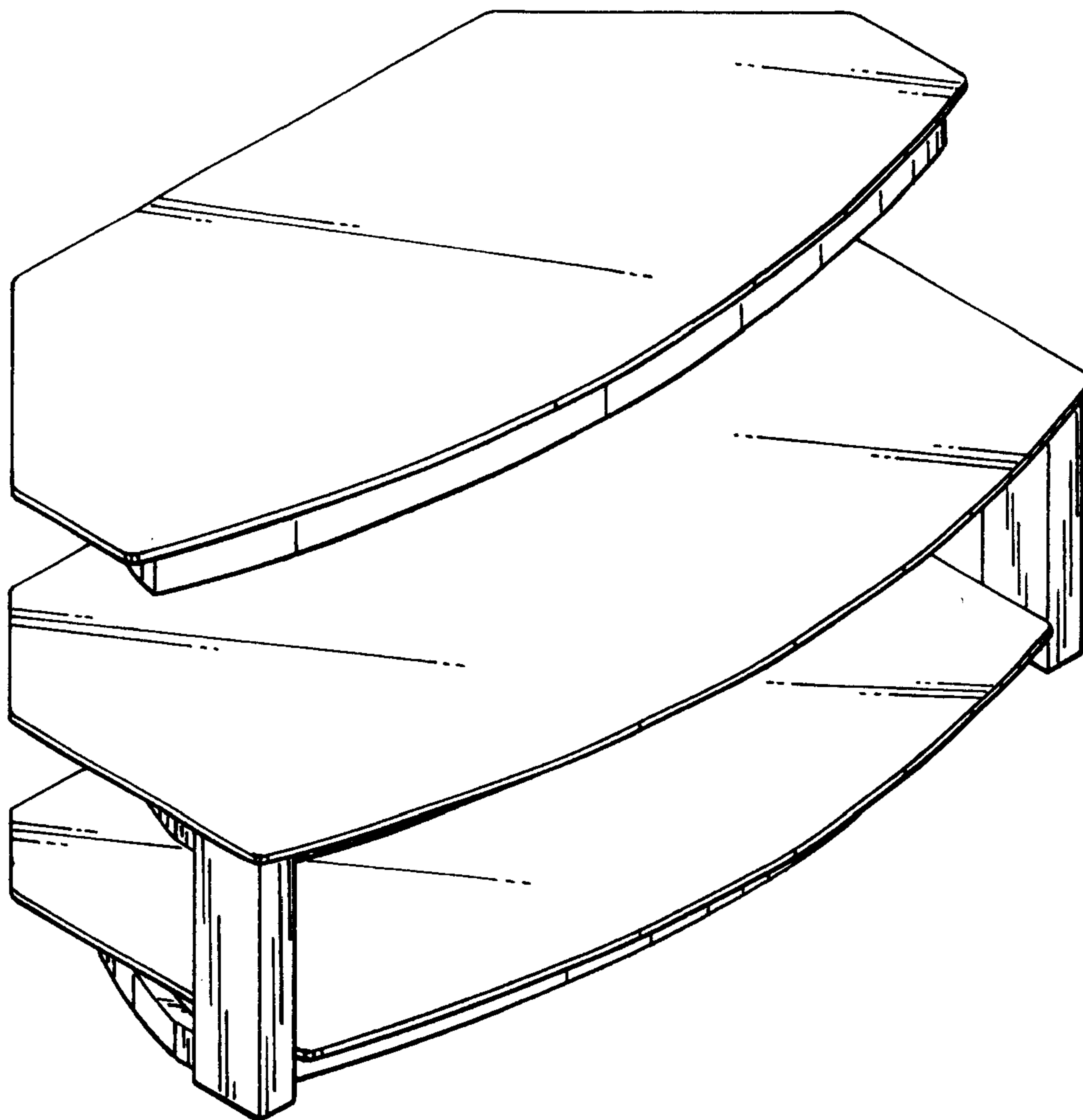
FIG. 3 is a front elevational view thereof;

FIG. 4 is a right side elevational view thereof;

FIG. 5 is a left side elevational view thereof; and,

FIG. 6 is a rear elevational view thereof.

1 Claim, 3 Drawing Sheets



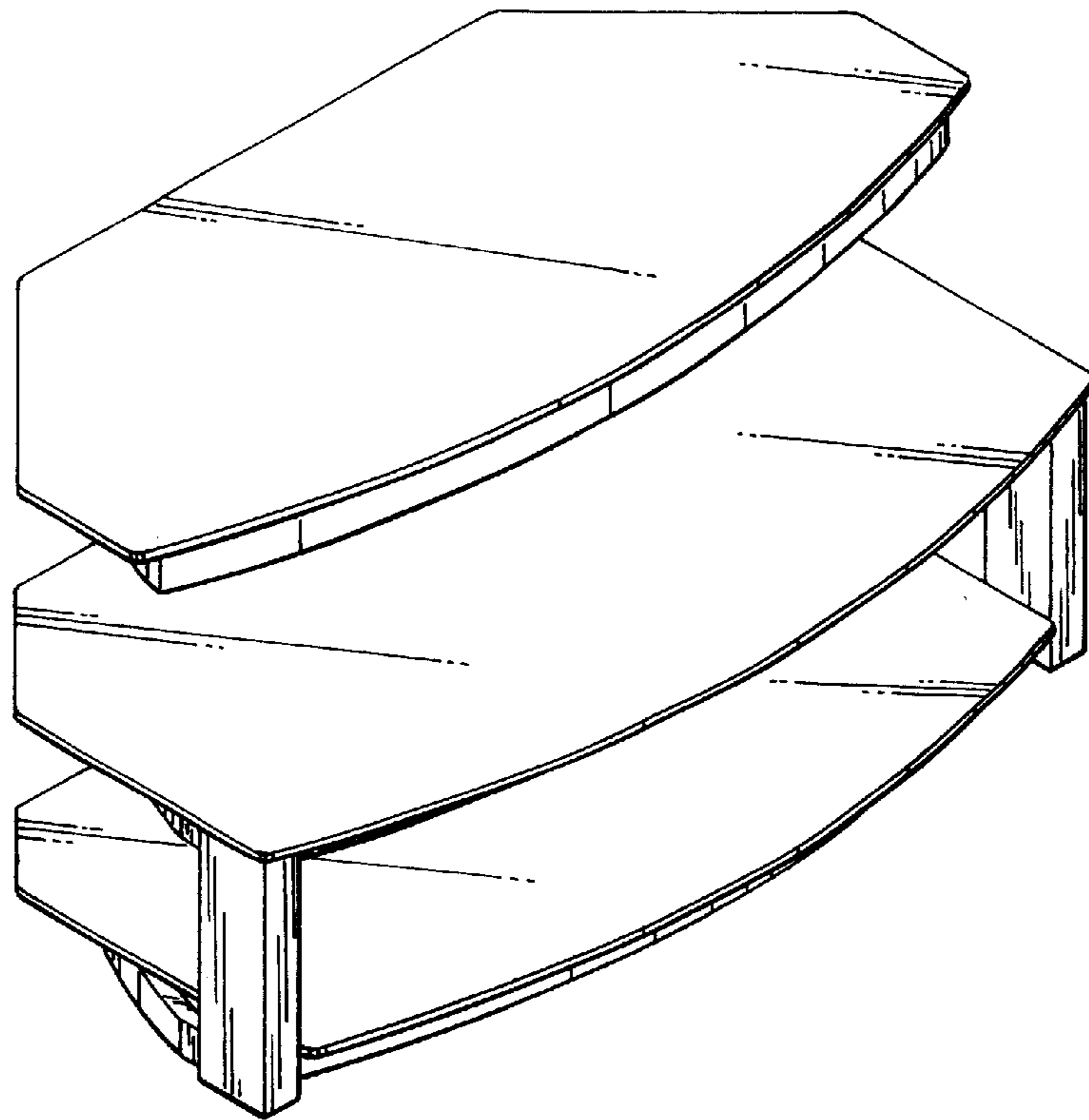


FIG. 1

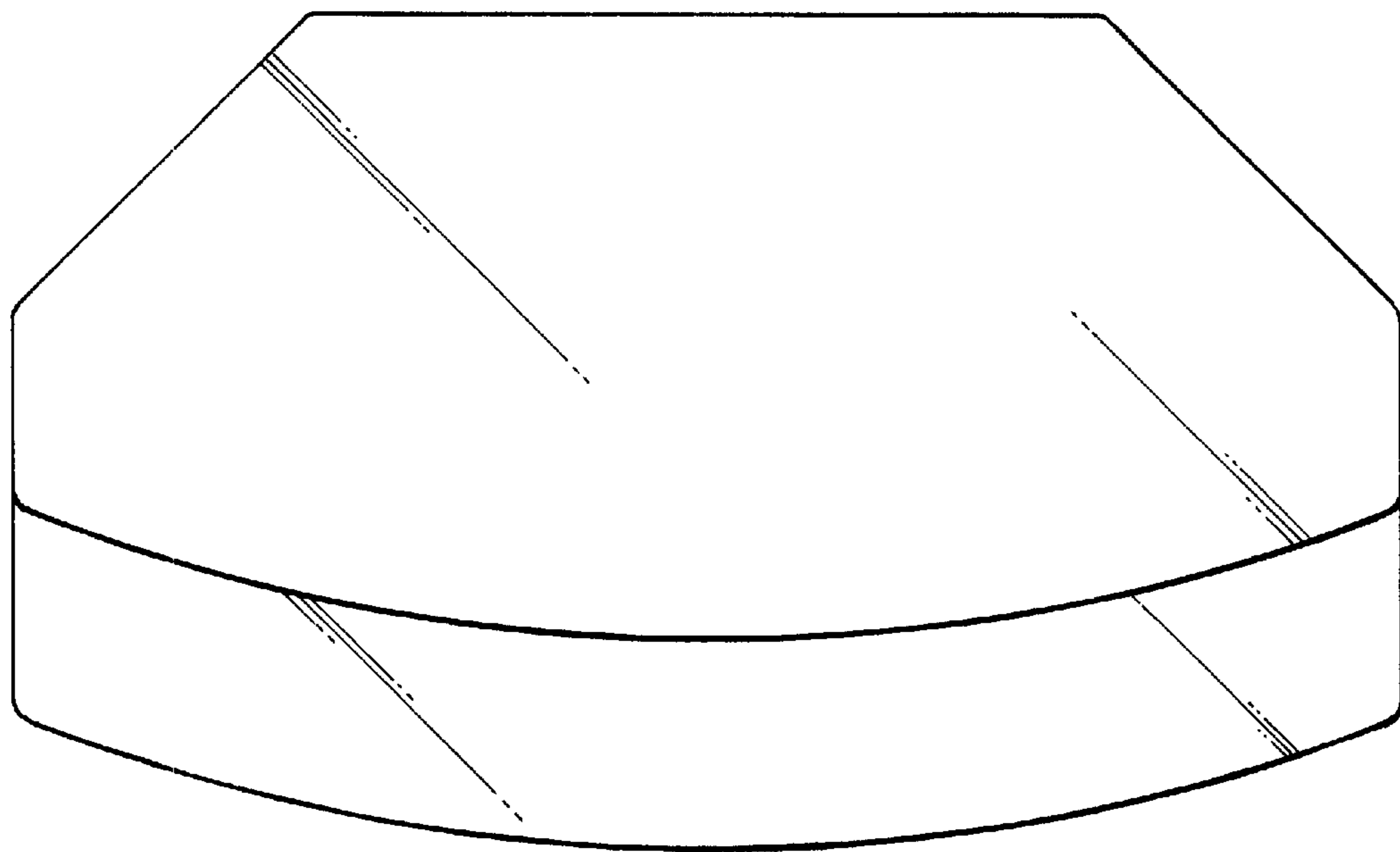


FIG. 2

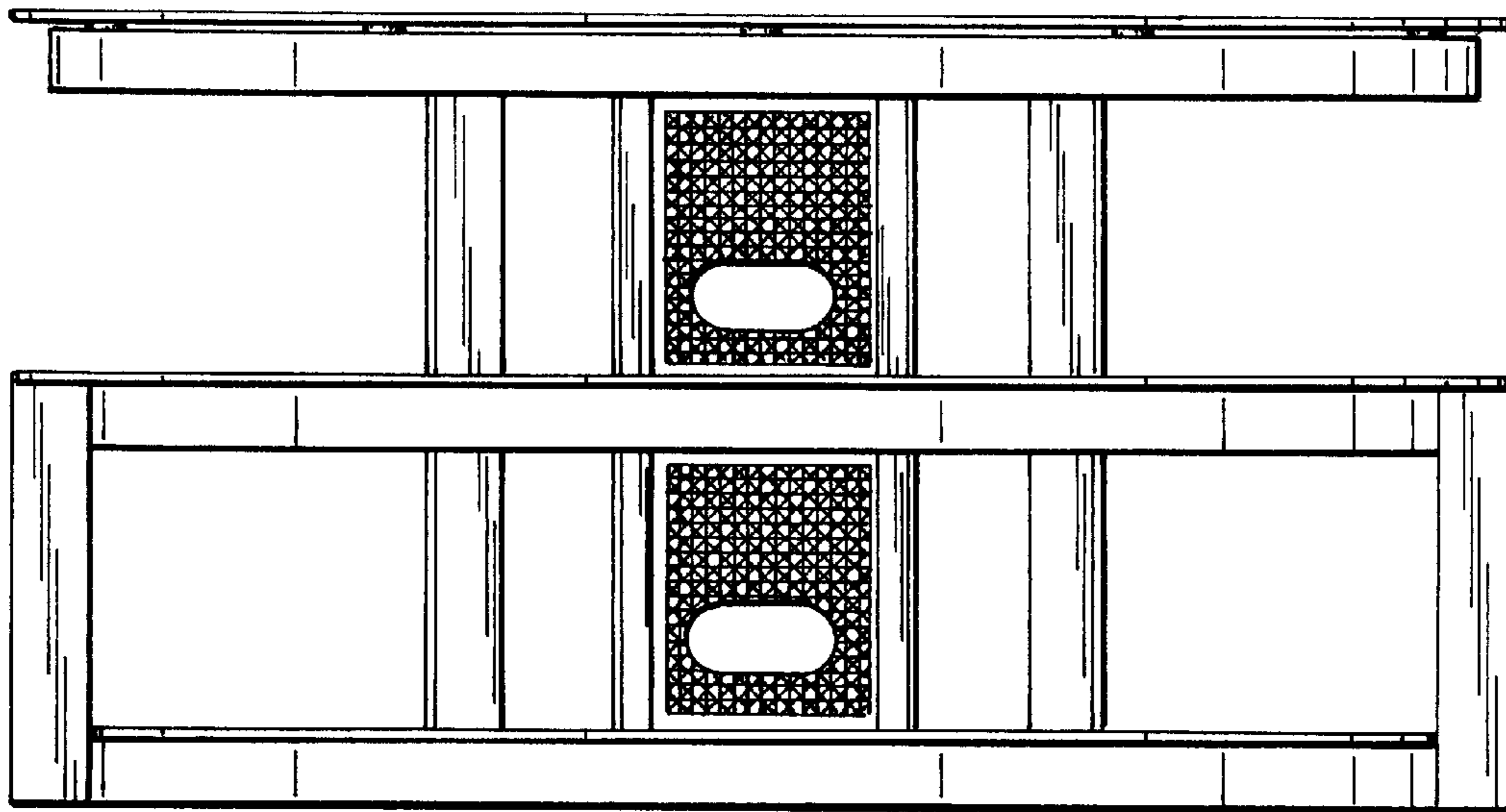


FIG. 3

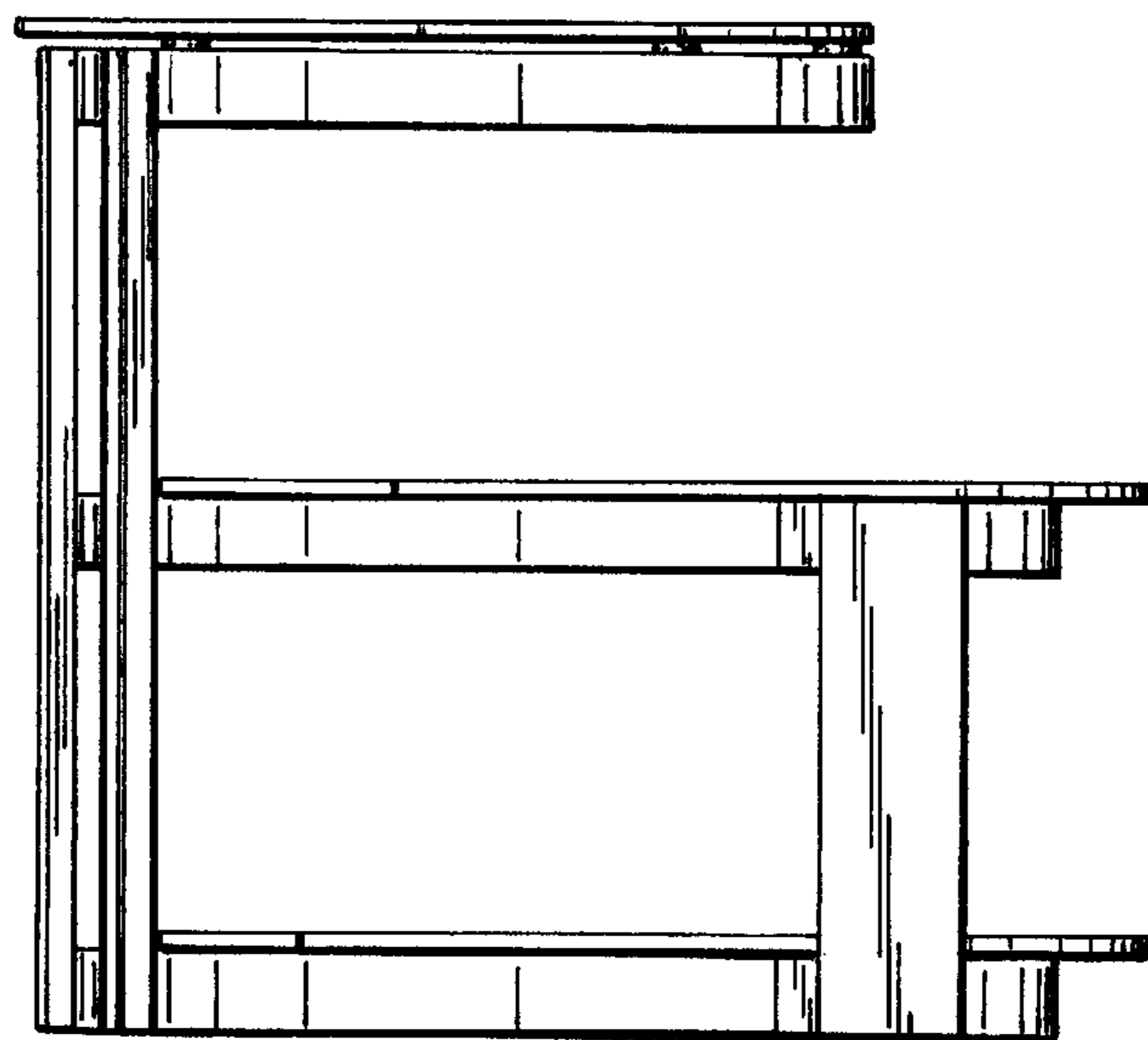


FIG. 4

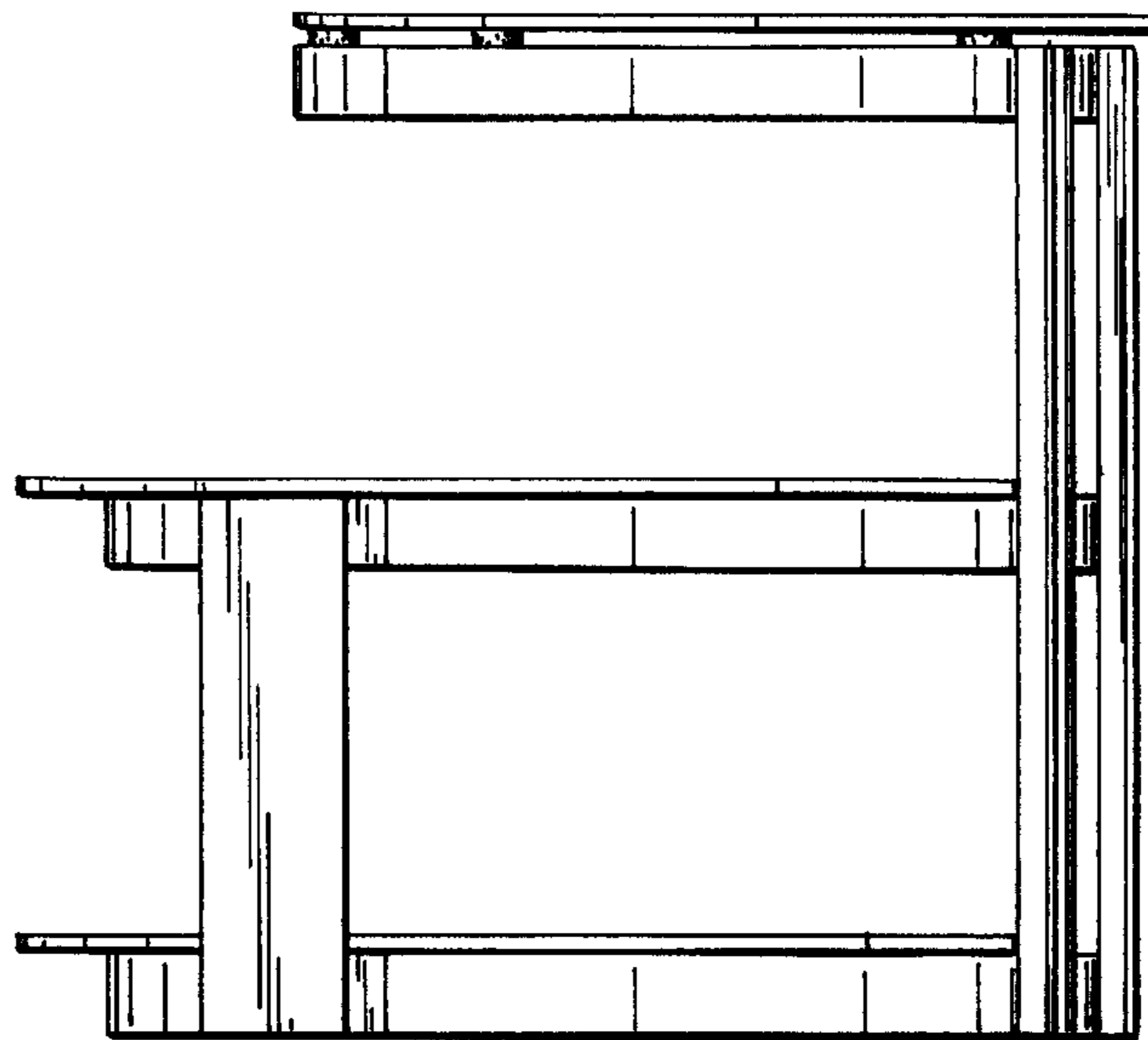


FIG. 5

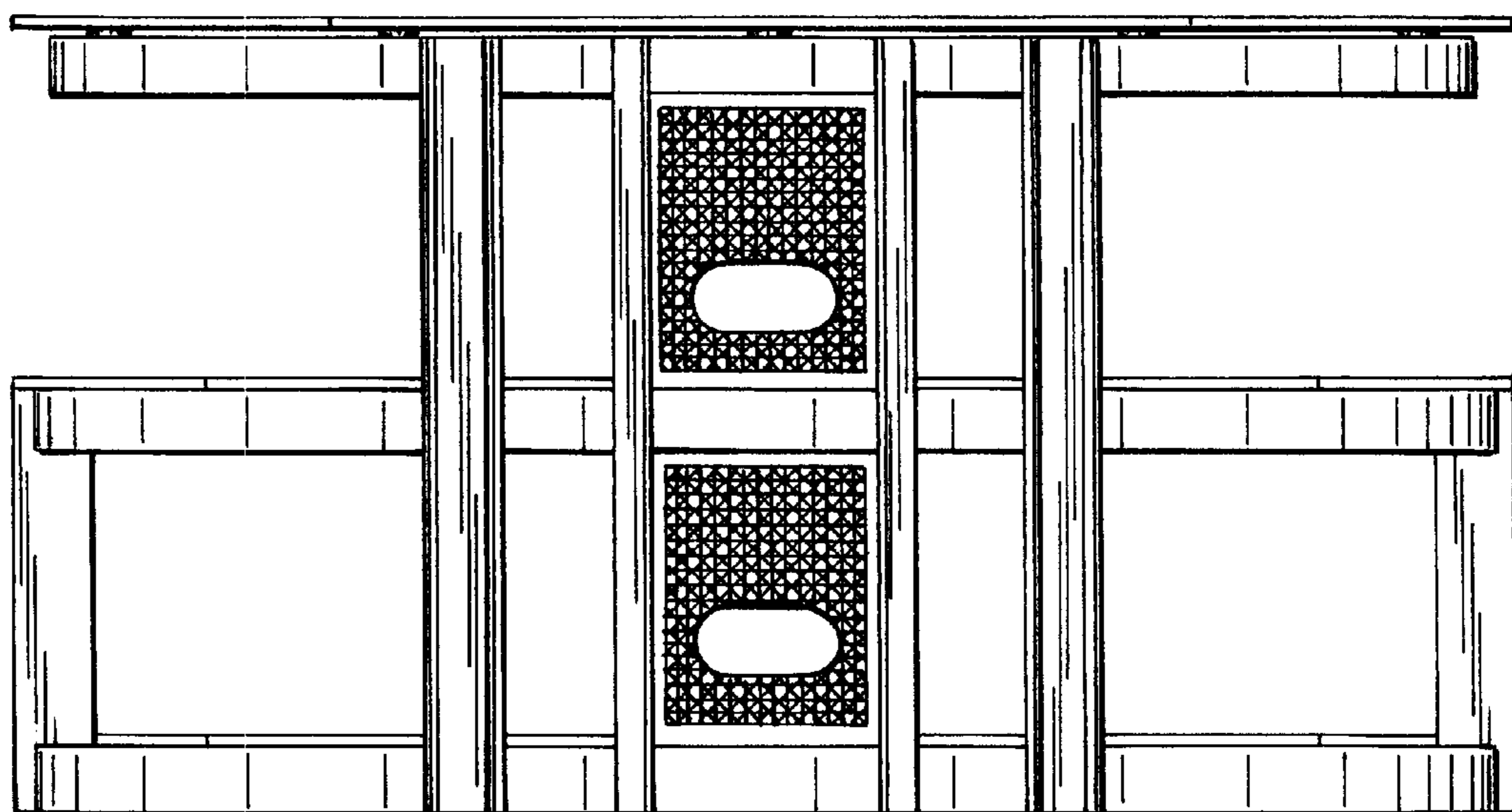


FIG. 6