



US00D531835S

(12) **United States Design Patent**
Harwanko

(10) **Patent No.:** **US D531,835 S**

(45) **Date of Patent:** **** Nov. 14, 2006**

(54) **APPLIANCE CABINET**

D459,911 S * 7/2002 Grosfillex D6/436

(75) Inventor: **Jeffrey Harwanko**, Wilmington, DE
(US)

* cited by examiner

(73) Assignee: **Zenith Products Corp.**, New Castle,
DE (US)

Primary Examiner—Cathron Brooks

(74) *Attorney, Agent, or Firm*—Edgar A. Zarins; Lloyd D.
Doigan

(**) Term: **14 Years**

(57) **CLAIM**

(21) Appl. No.: **29/190,345**

The ornamental design for an appliance cabinet, as shown
and described.

(22) Filed: **Sep. 18, 2003**

(51) **LOC (8) Cl.** **06-04**

(52) **U.S. Cl.** **D6/437; D6/478**

(58) **Field of Classification Search** D6/436,
D6/437, 477-479; D34/12, 17, 19; 211/74,
211/90; 108/59

See application file for complete search history.

DESCRIPTION

FIG. 1 is a perspective view of an appliance cabinet showing
my new design;

FIG. 2 is a top plan view thereof;

FIG. 3 is a front elevational view thereof; and,

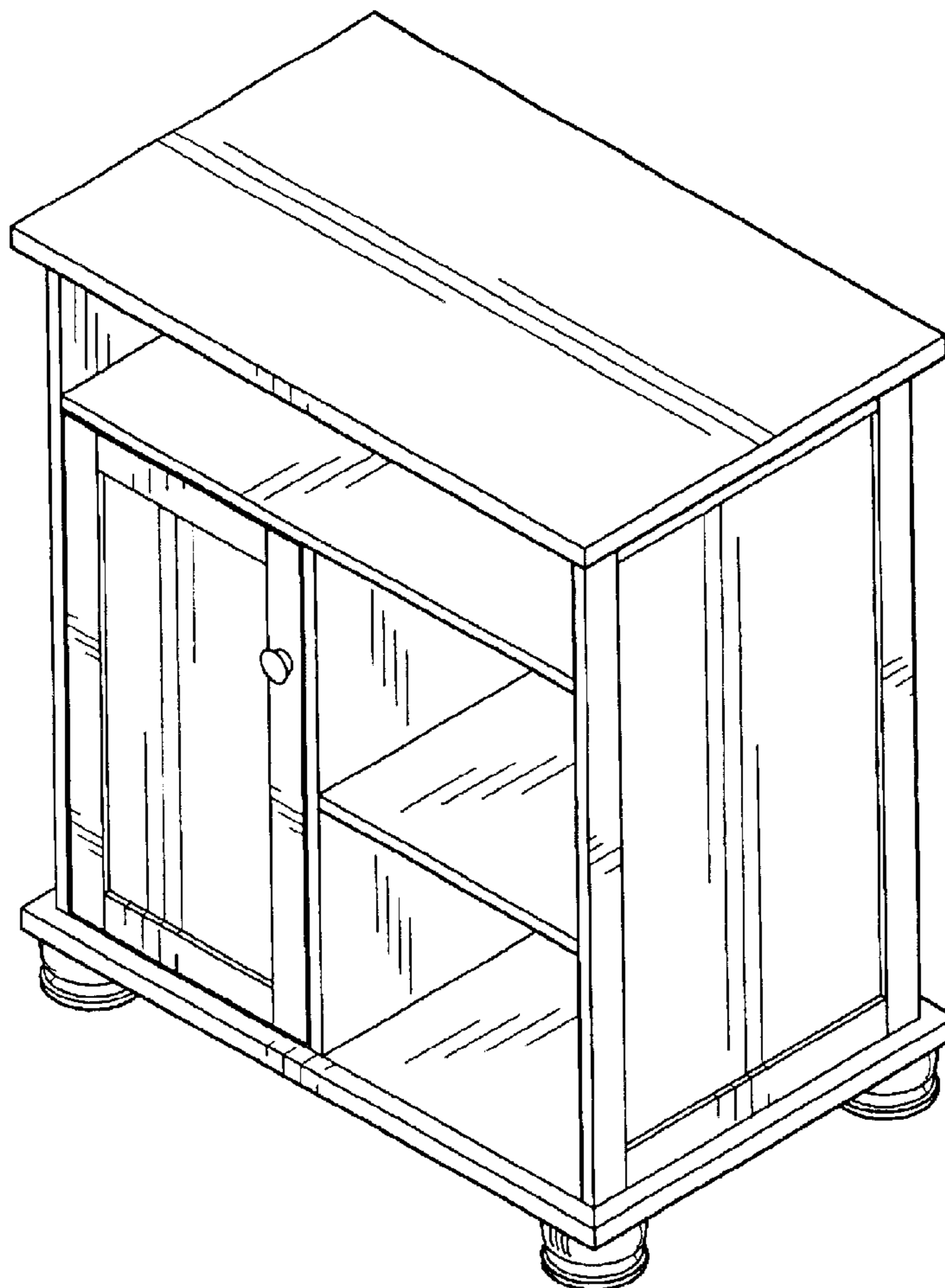
FIG. 4 is a left side view thereof, the opposite side being a
mirror image of the side shown.

(56) **References Cited**

U.S. PATENT DOCUMENTS

D315,070 S * 3/1991 Miller D6/436

1 Claim, 2 Drawing Sheets



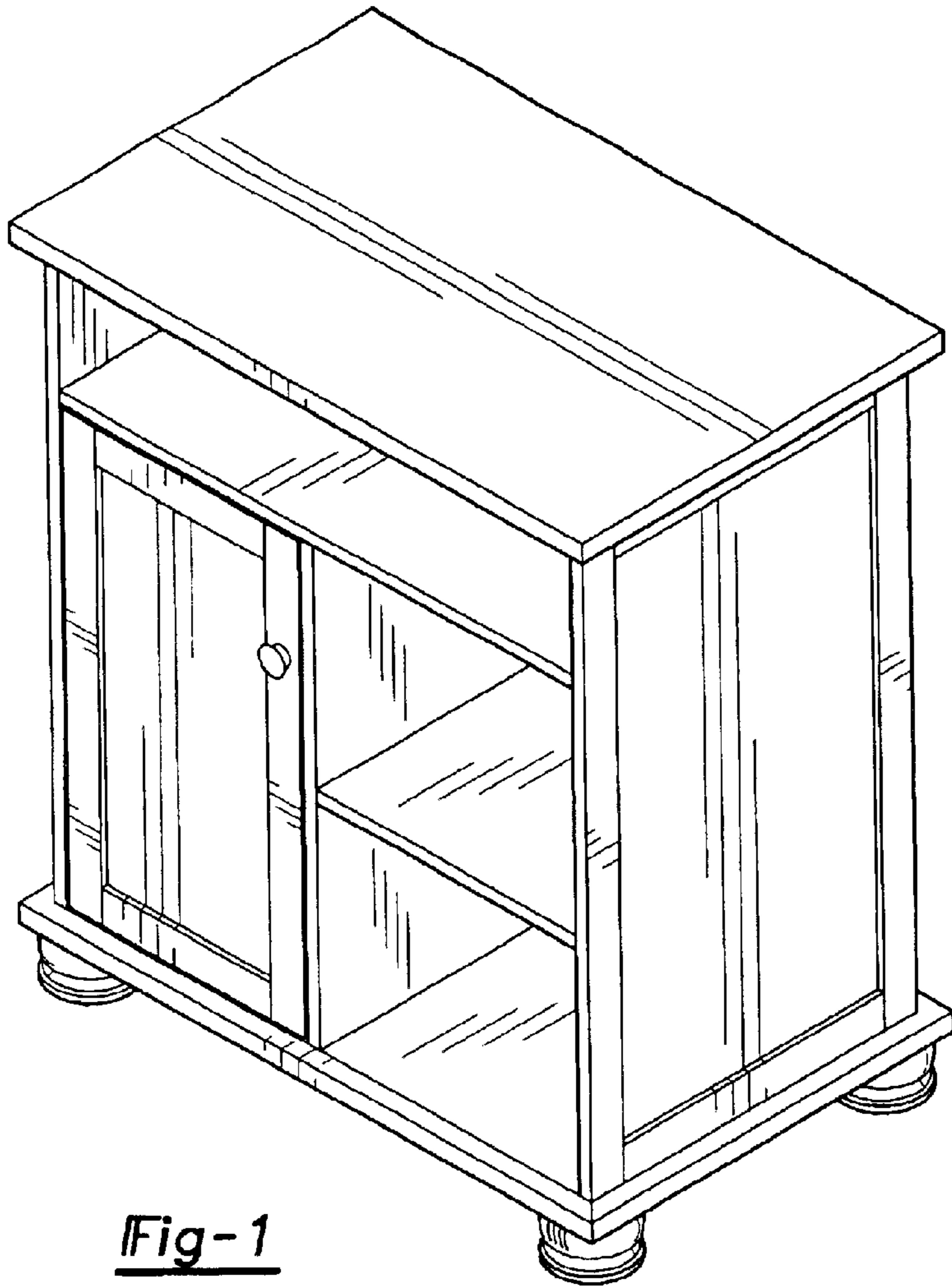


Fig-1

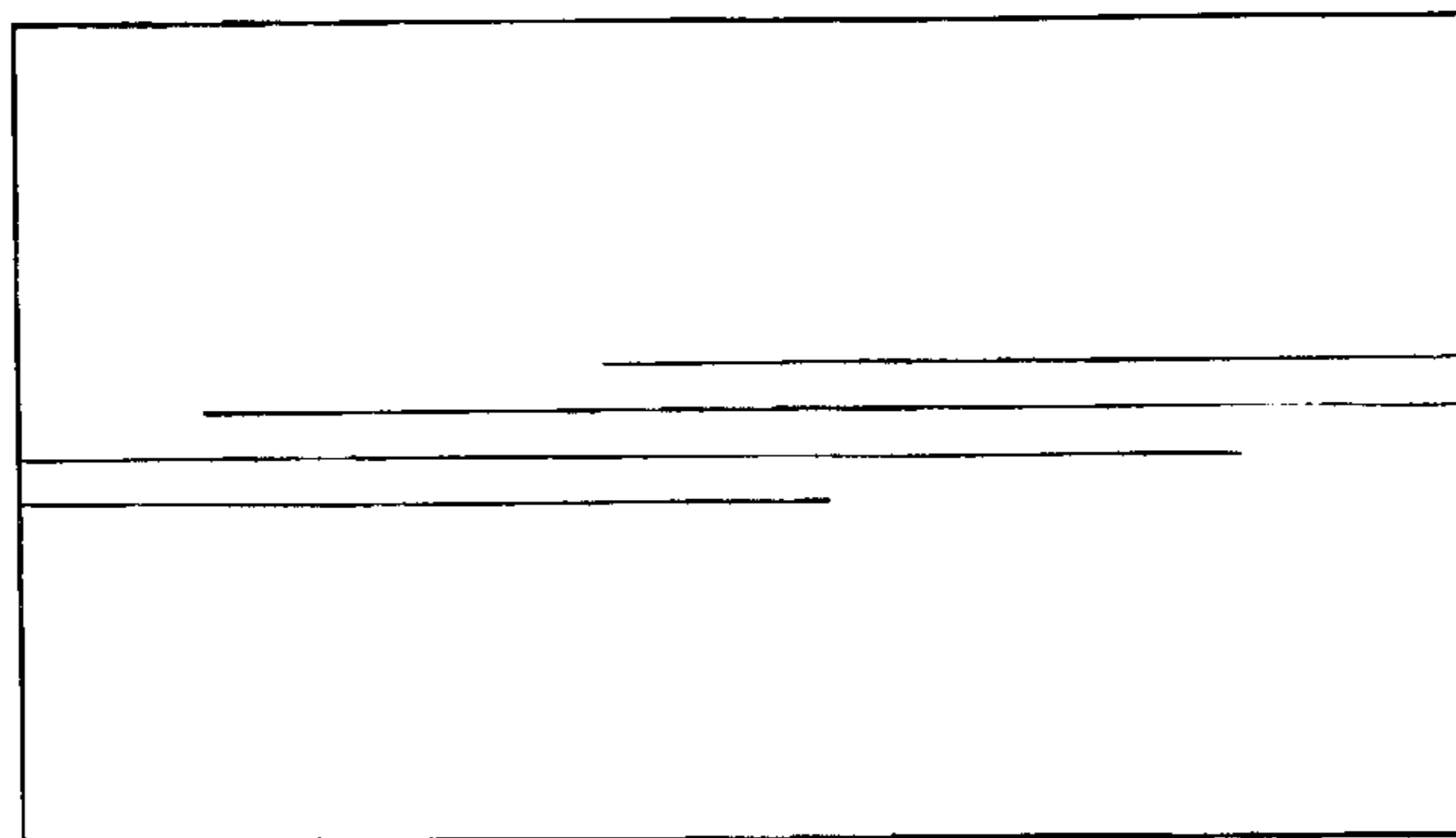


Fig-2

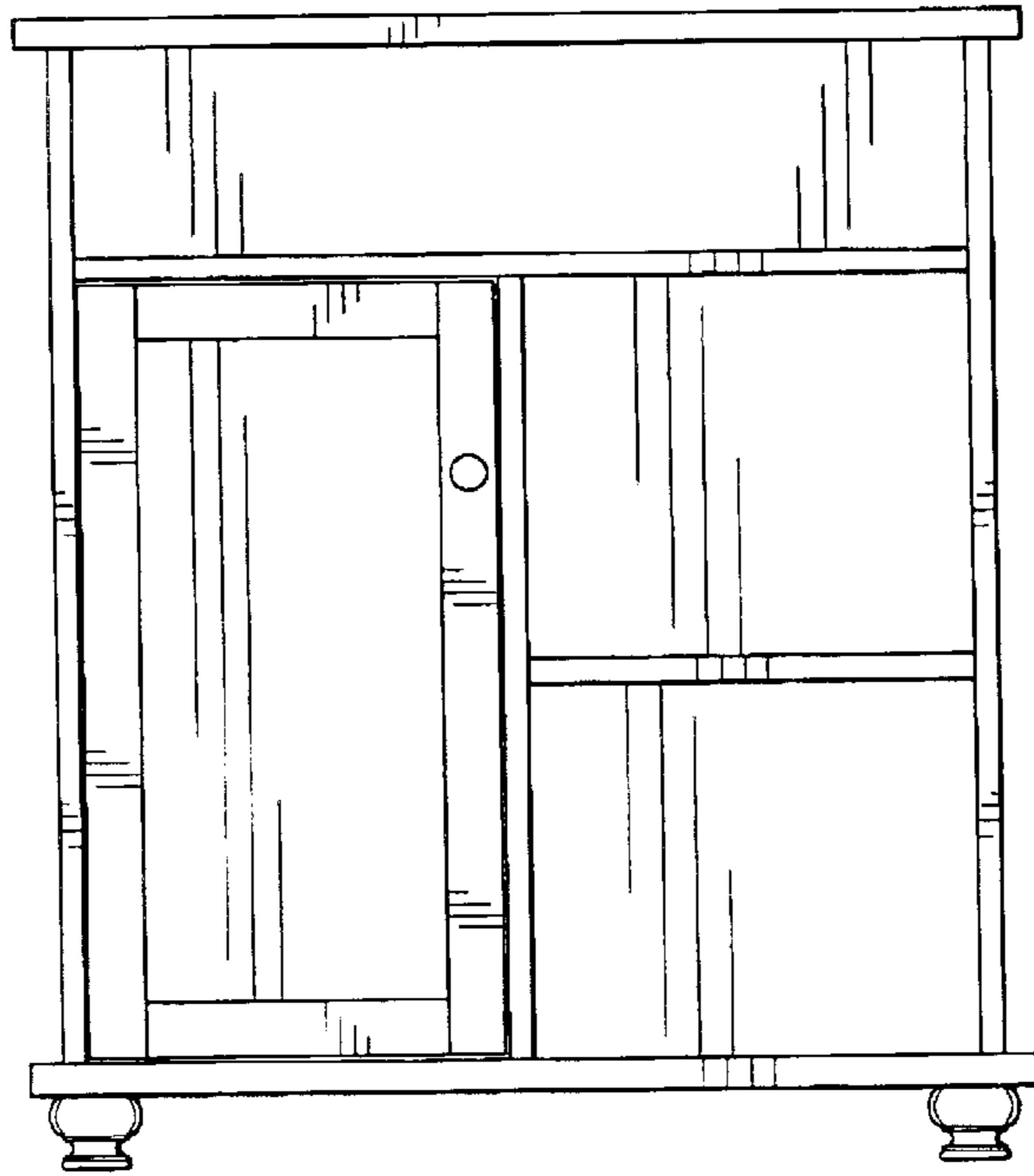


Fig-3

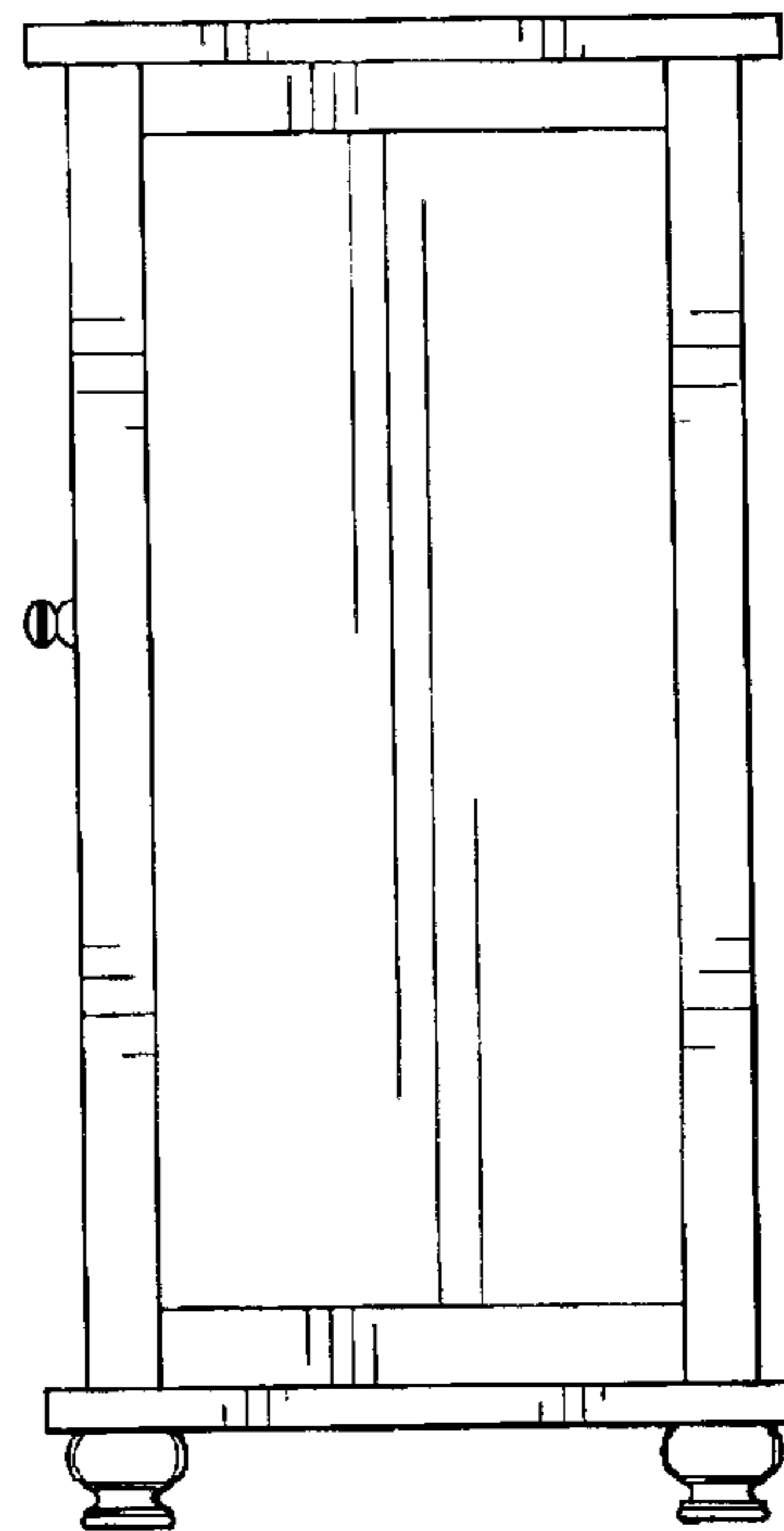


Fig-4