



US00D531834S

(12) **United States Design Patent** (10) **Patent No.:** **US D531,834 S**
Baade (45) **Date of Patent:** **** Nov. 14, 2006**

(54) **VANITY**

(75) Inventor: **Jonell J. Baade**, Milwaukee, WI (US)

(73) Assignee: **Kohler Co.**, Kohler, WI (US)

(**) Term: **14 Years**

(21) Appl. No.: **29/245,361**

(22) Filed: **Dec. 22, 2005**

(51) **LOC (8) Cl.** **06-04**

(52) **U.S. Cl.** **D6/436; D6/446**

(58) **Field of Classification Search** D6/432-448;
D23/286; 312/204, 209, 228, 228.1
See application file for complete search history.

(56) **References Cited**

U.S. PATENT DOCUMENTS

D388,634 S	*	1/1998	Mulligan et al.	D6/436
D445,597 S	*	7/2001	Stone et al.	D6/446
D455,475 S	*	4/2002	Jones et al.	D23/286
D467,756 S	*	12/2002	Mattick	D6/446
D517,836 S	*	3/2006	Berry et al.	D6/436
D520,777 S	*	5/2006	DeBlois	D6/446

OTHER PUBLICATIONS

Home & Stone. Porcher Vanity, model "Archive 38 Vanity".
(www.homeandstone.com/detail.cfmGroup_ID=1208&Product_ID=7480).

Baker Furniture, Model No. 5916 Night Stand. Baker catalog.

OneWay Furniture.com. "Musical Hall Tapestry Parsons Ottoman".

* cited by examiner

Primary Examiner—Cathron C. Brooks

(74) *Attorney, Agent, or Firm*—Quarles & Brady LLP

(57) **CLAIM**

The ornamental design for a vanity, as shown and described.

DESCRIPTION

In a preferred embodiment, the nature of this product is a vanity such as can be used to support a lavatory.

FIG. 1 is a left, top, front perspective view of a vanity embodying my new design;

FIG. 2 is a top plan view thereof;

FIG. 3 is a front elevational view thereof;

FIG. 4 is a left side elevational view thereof, the right side elevational view thereof being a mirror image of the left side shown;

FIG. 5 is a rear elevational view thereof; and,

FIG. 6 is a bottom plan view thereof.

The broken line representations of shelf and tray environment in FIGS. 1, 3 and 4-6, trim structure in FIGS. 1-5, and an opening in FIGS. 1 and 2, are for the purpose of illustration only, and form no part of the claimed design.

1 Claim, 3 Drawing Sheets

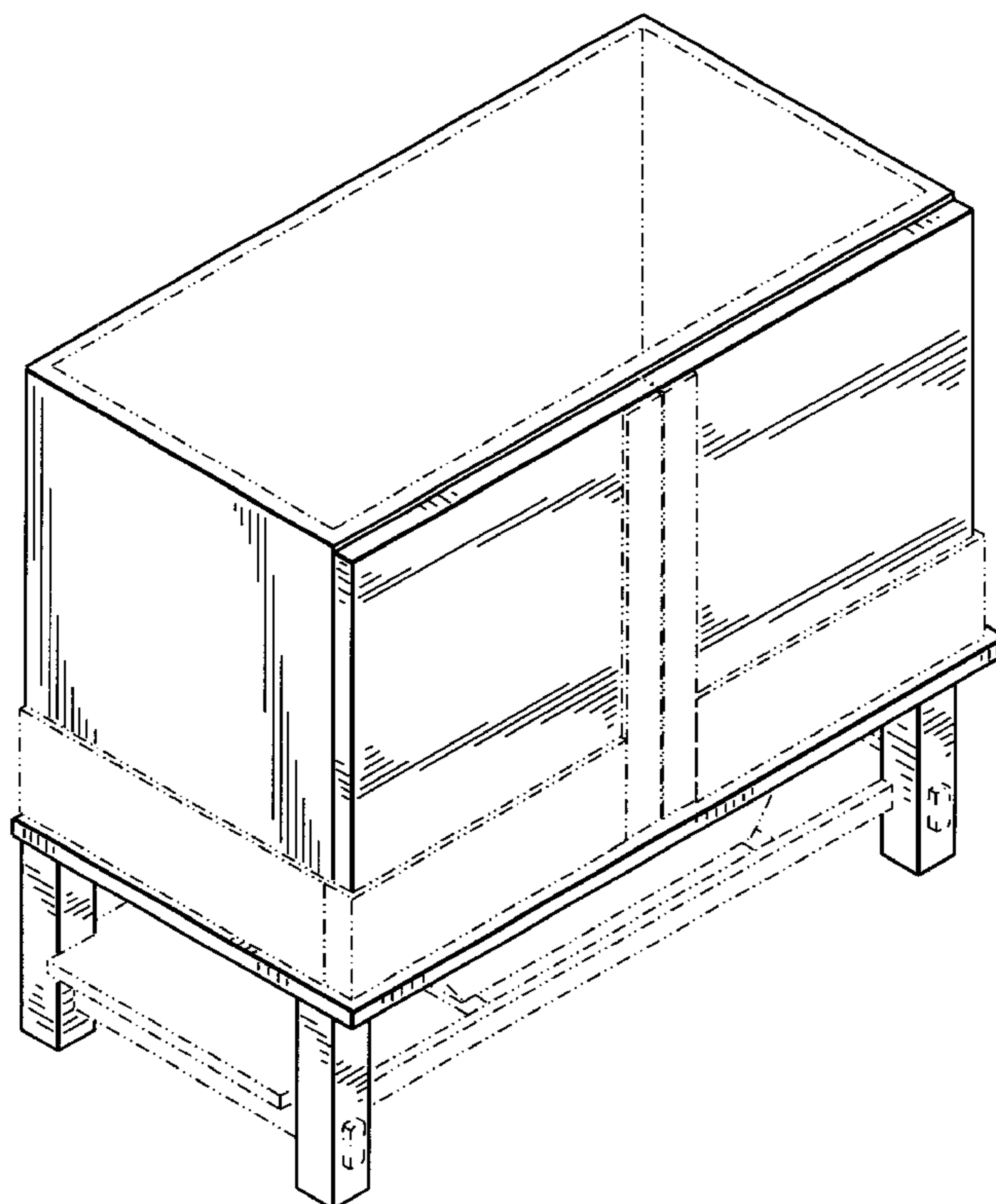


FIG. 1

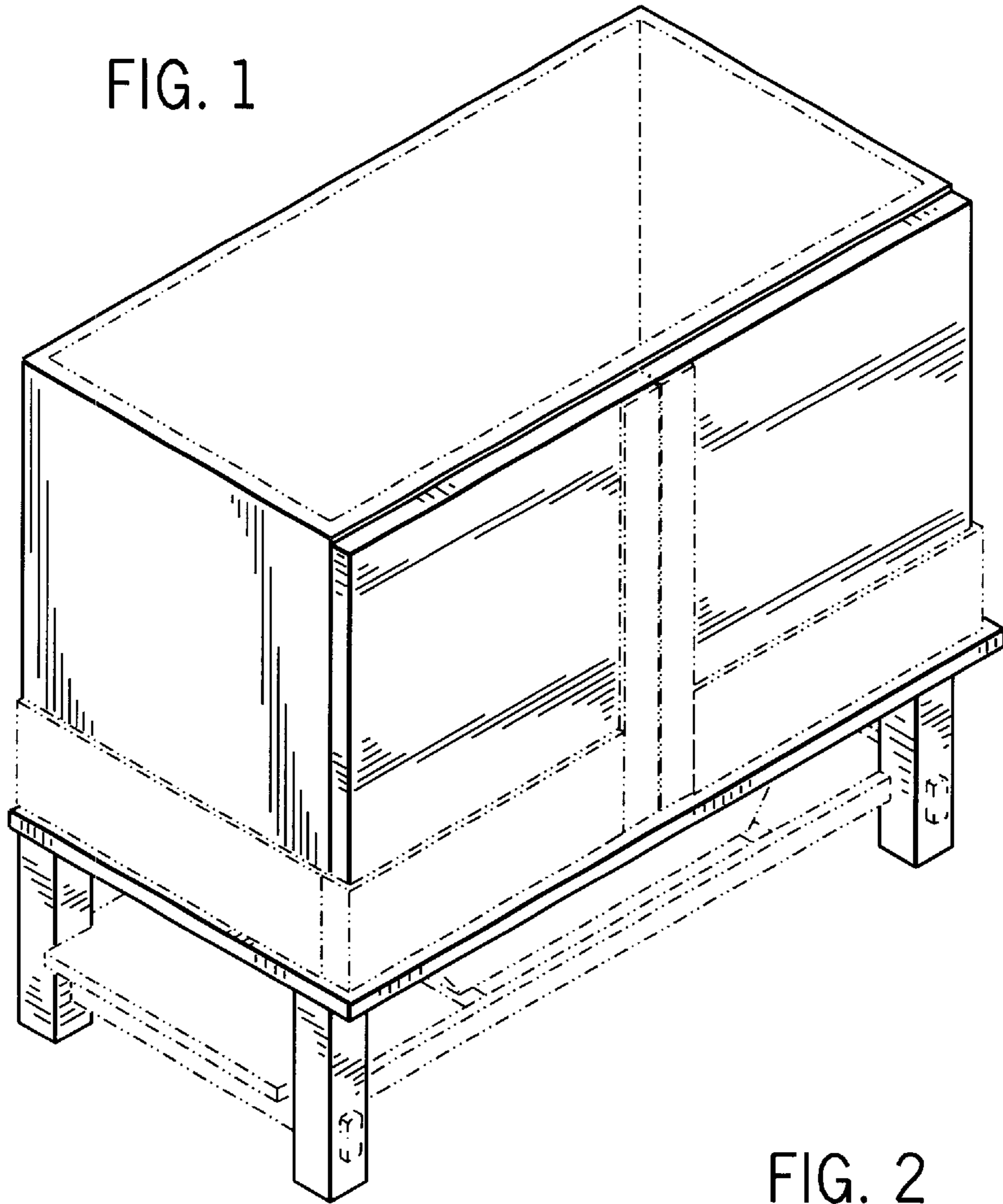
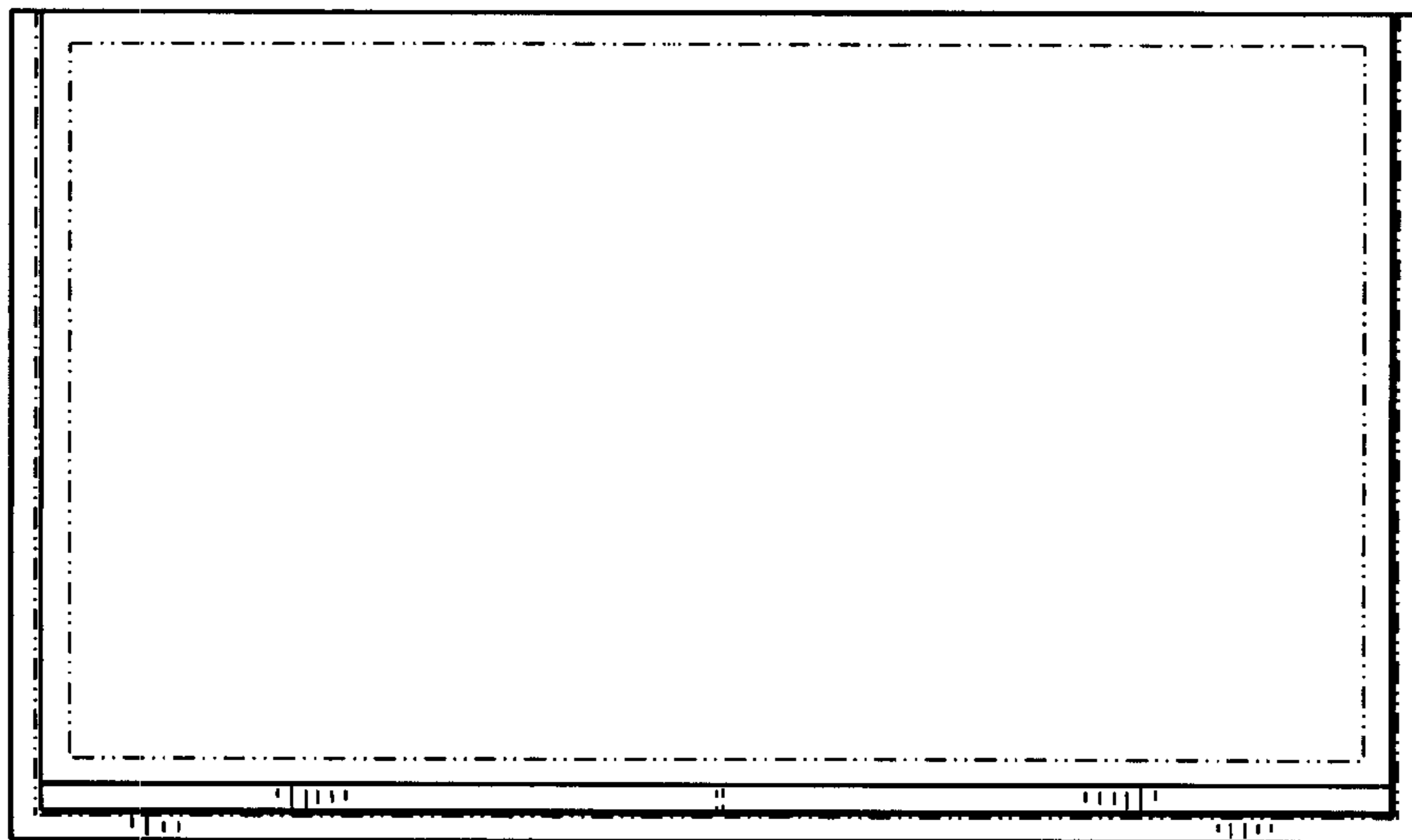


FIG. 2



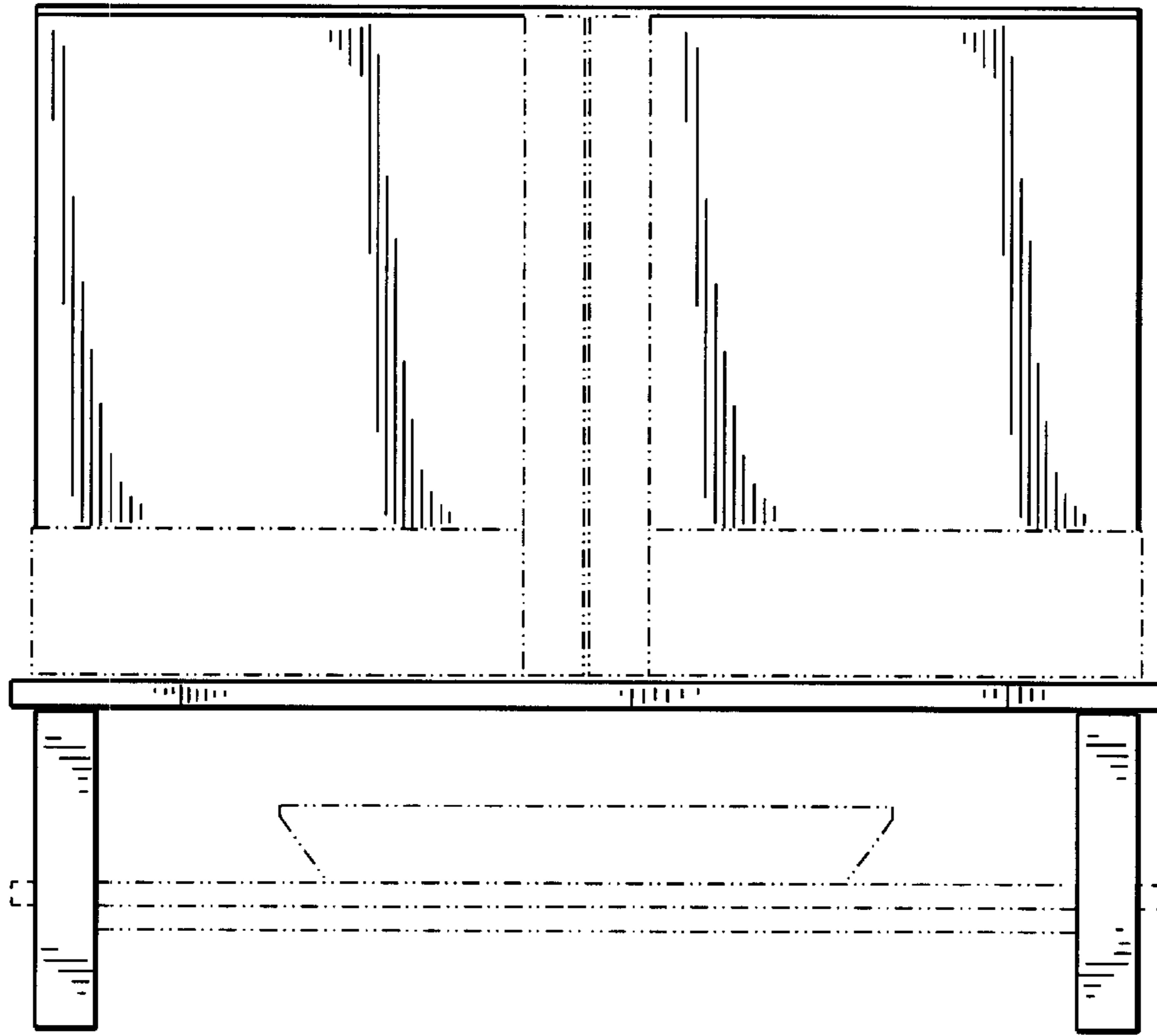


FIG. 3

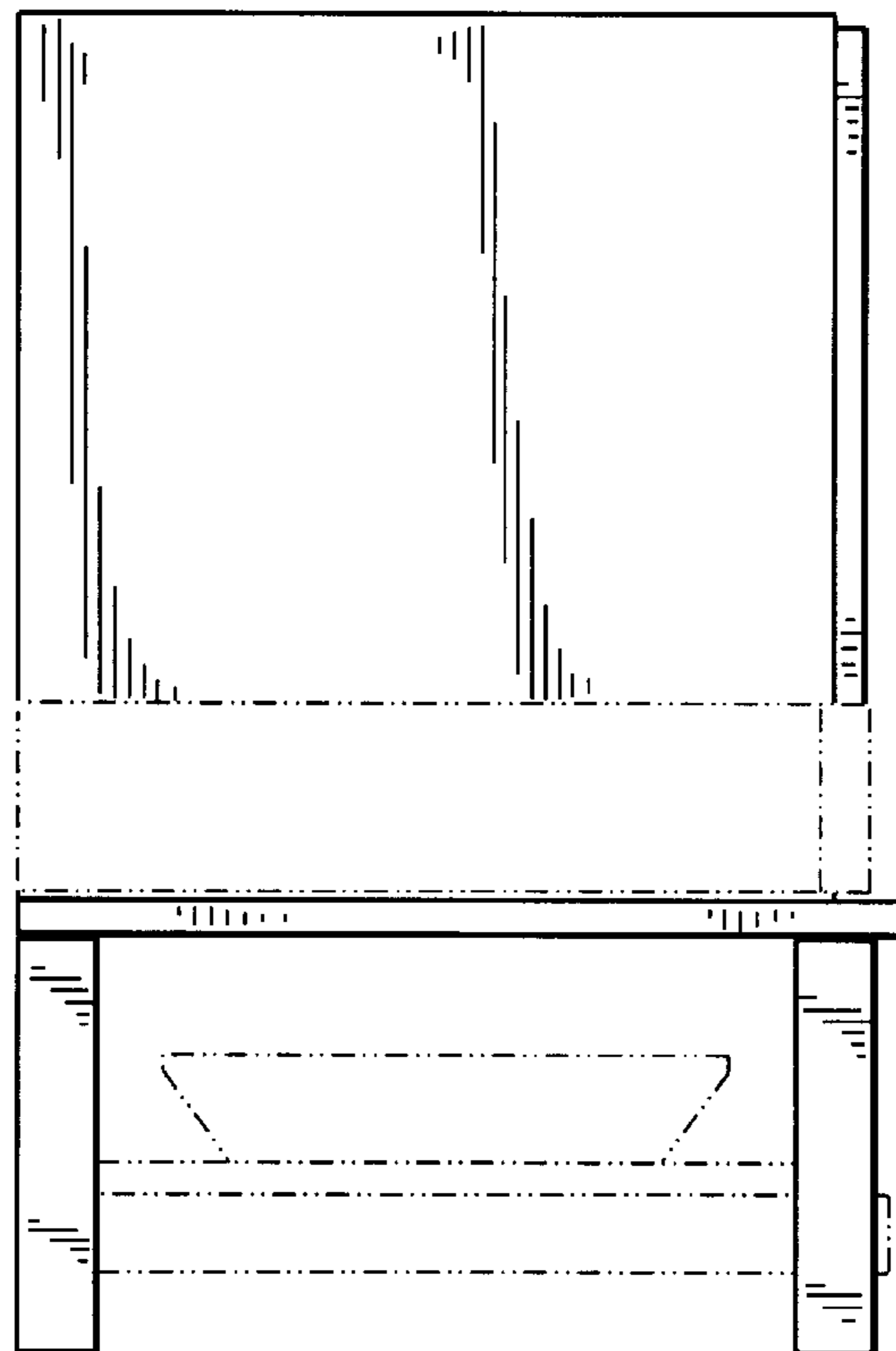


FIG. 4

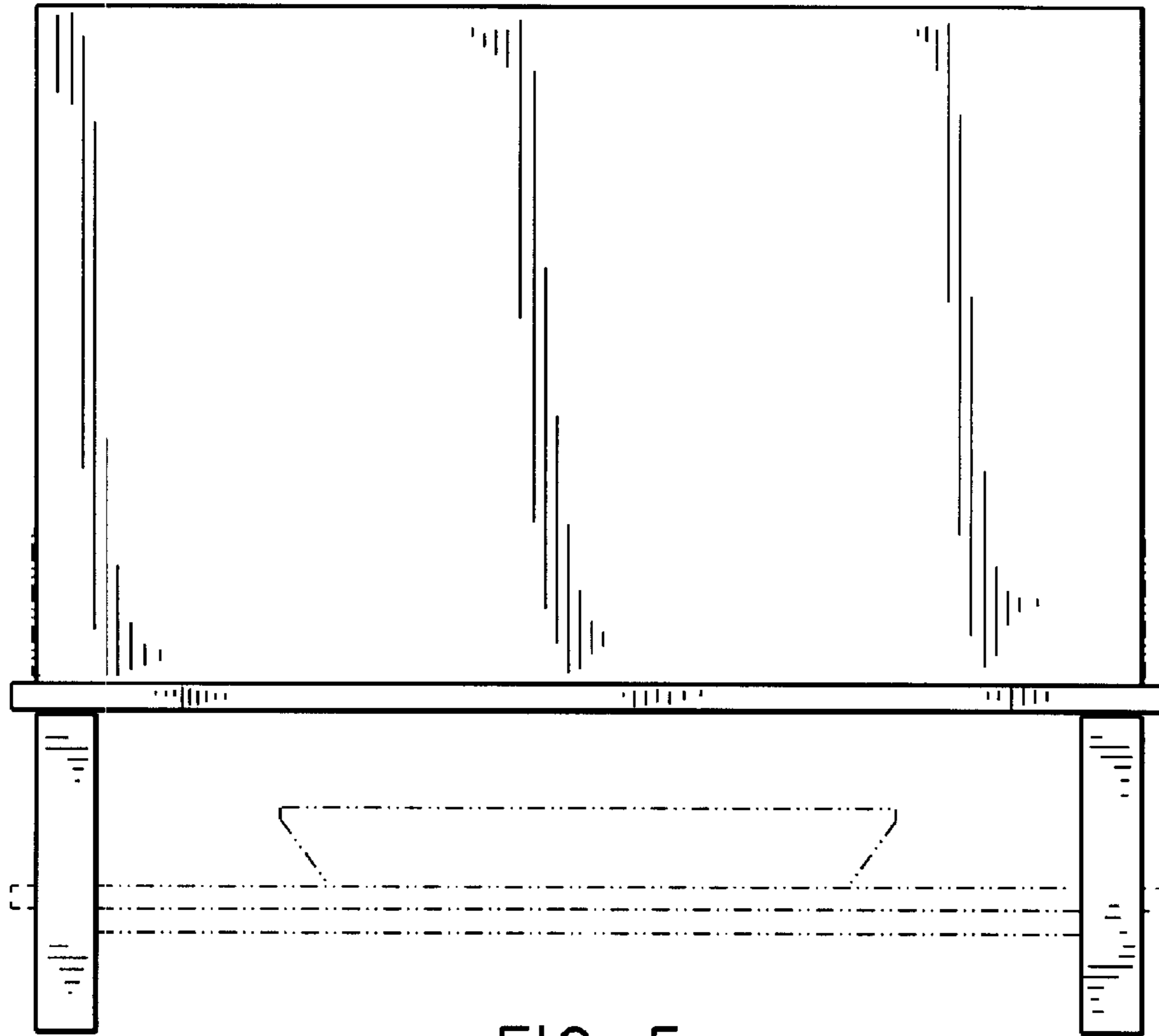


FIG. 5

FIG. 6

