



US00D531829S

(12) **United States Design Patent**
Huang

(10) **Patent No.:** **US D531,829 S**

(45) **Date of Patent:** **** Nov. 14, 2006**

(54) **CHAIR**

(76) **Inventor:** **William Huang**, 5353 Jillson St.,
Commerce, CA (US) 90040

(**) **Term:** **14 Years**

(21) **Appl. No.:** **29/231,853**

(22) **Filed:** **Jun. 13, 2005**

(51) **LOC (8) Cl.** **06-01**

(52) **U.S. Cl.** **D6/366**

(58) **Field of Classification Search** D6/334-335,
D6/356, 364, 365, 366, 367, 368, 374, 379,
D6/498, 500-502; 297/411.2, 411.27, 411.44,
297/396, 452.26, 452.34, 452.35
See application file for complete search history.

(56) **References Cited**

U.S. PATENT DOCUMENTS

D250,618 S * 12/1978 Bivas et al. D6/366
D369,687 S * 5/1996 Hafner et al. D6/366
D370,789 S * 6/1996 Groulx D6/366

D446,396 S * 8/2001 Phillips et al. D6/366
D471,728 S * 3/2003 Tseng D6/366
D487,987 S * 4/2004 Wu D6/366
D496,535 S * 9/2004 Goodworth D6/366
2005/0035642 A1 * 2/2005 Hake et al. 297/396

* cited by examiner

Primary Examiner—Mimosa De

(74) *Attorney, Agent, or Firm*—Raymond Y. Chand; David
& Raymond Patent Group

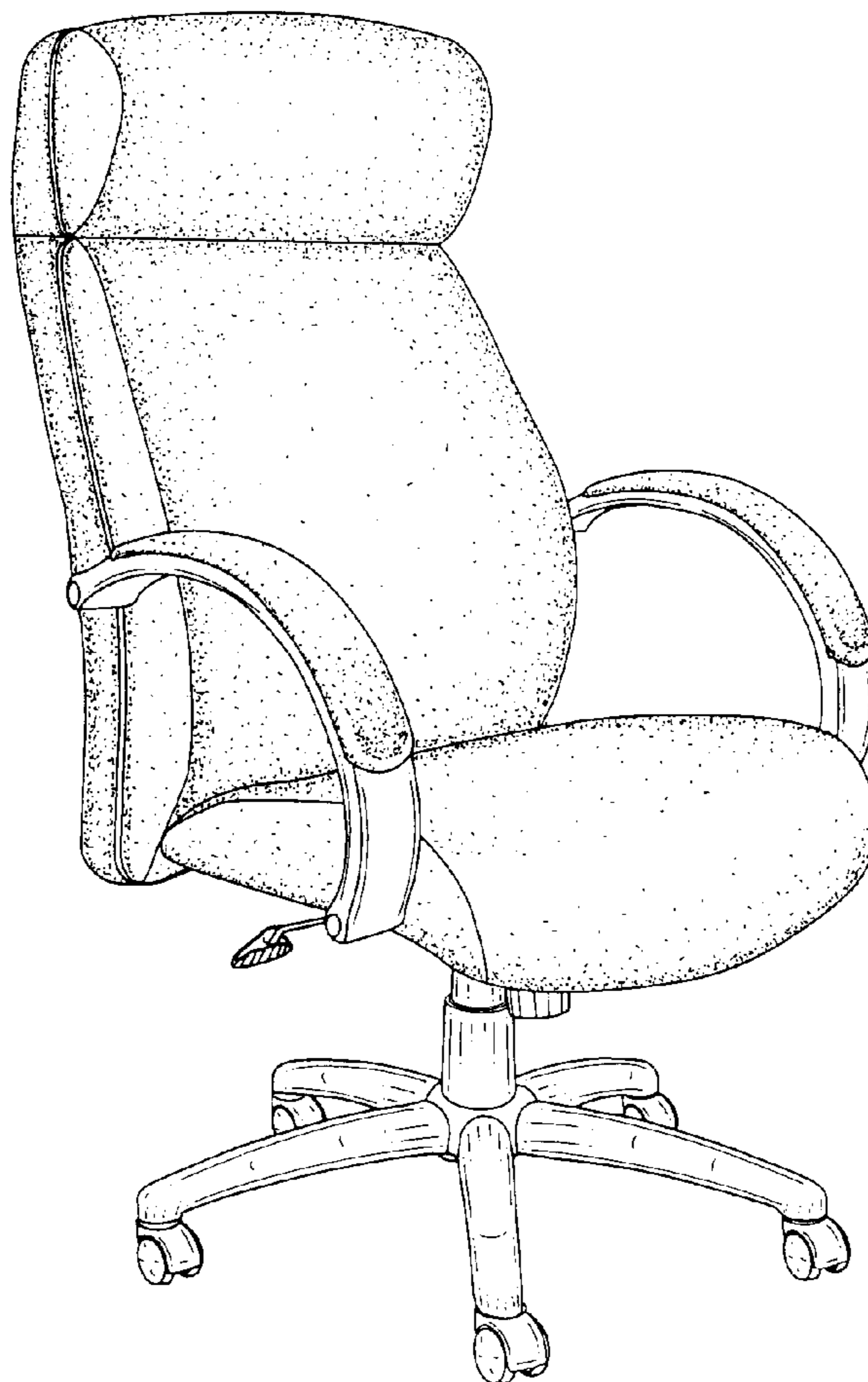
(57) **CLAIM**

The ornamental design for a chair, as shown.

DESCRIPTION

FIG. 1 is a perspective view showing my new design.
FIG. 2 is a front view thereof.
FIG. 3 is a rear view thereof.
FIG. 4 is a right end view thereof.
FIG. 5 is a left end view thereof; and,
FIG. 6 is a top view thereof.

1 Claim, 6 Drawing Sheets



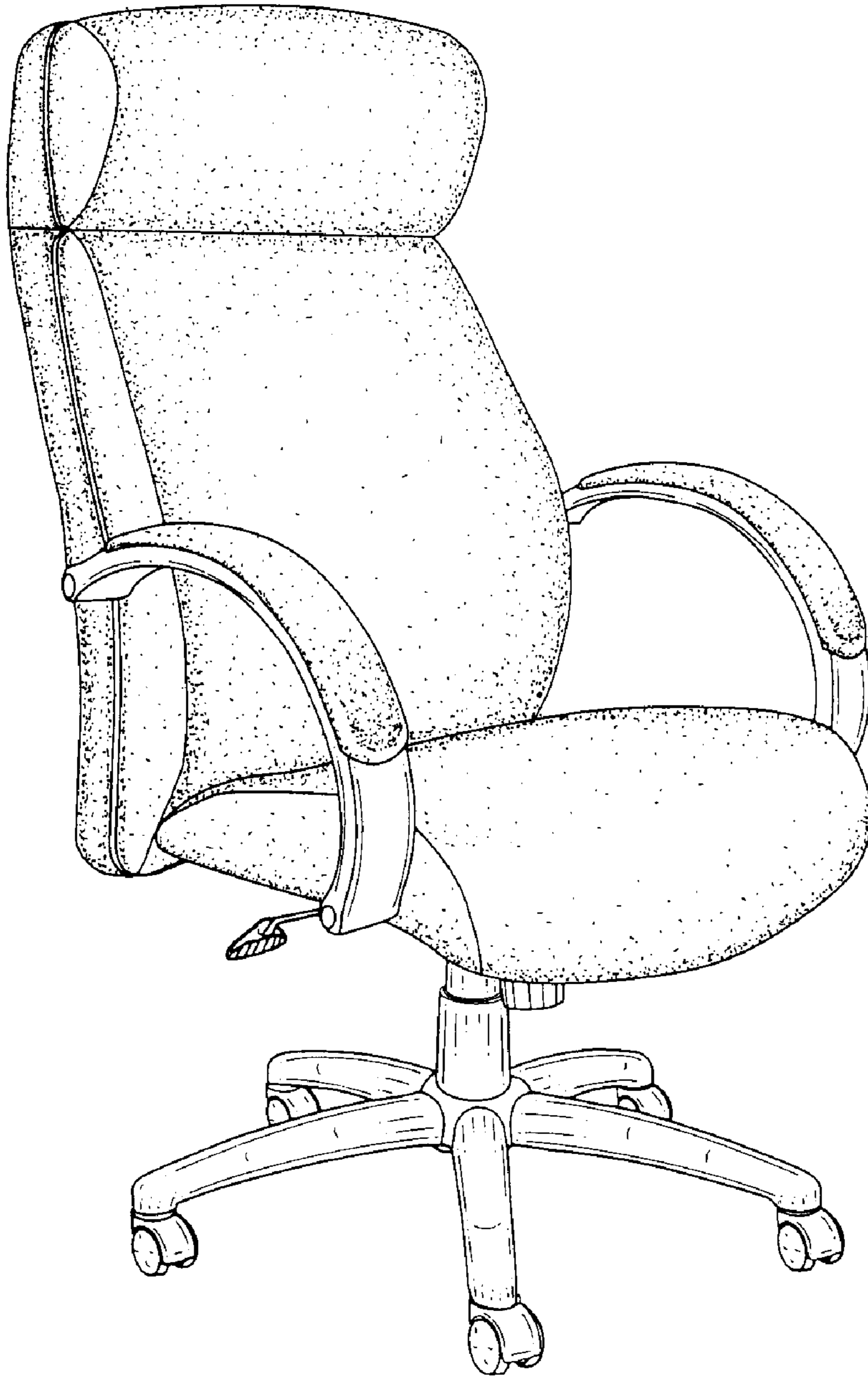


FIG. 1

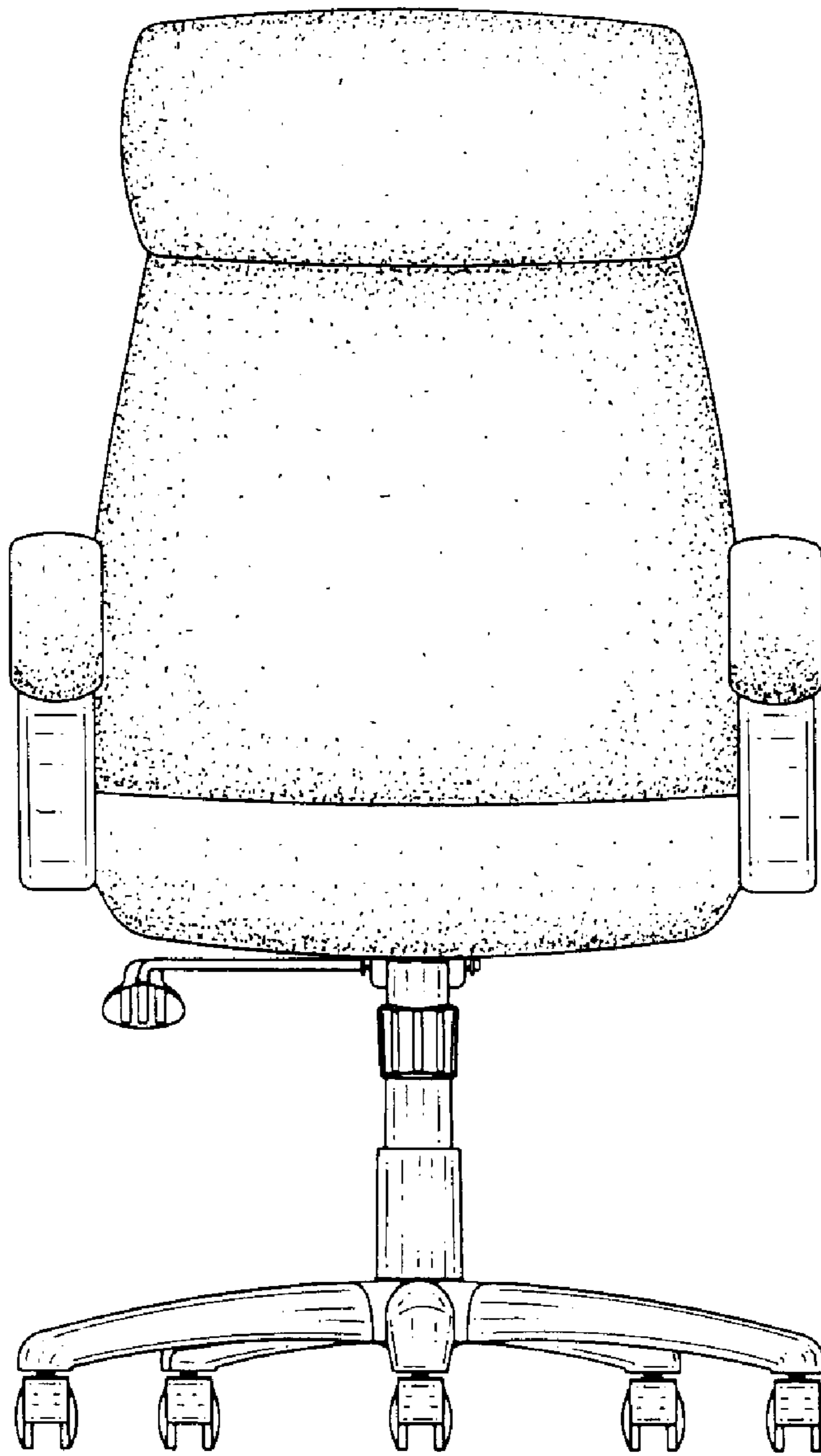


FIG. 2

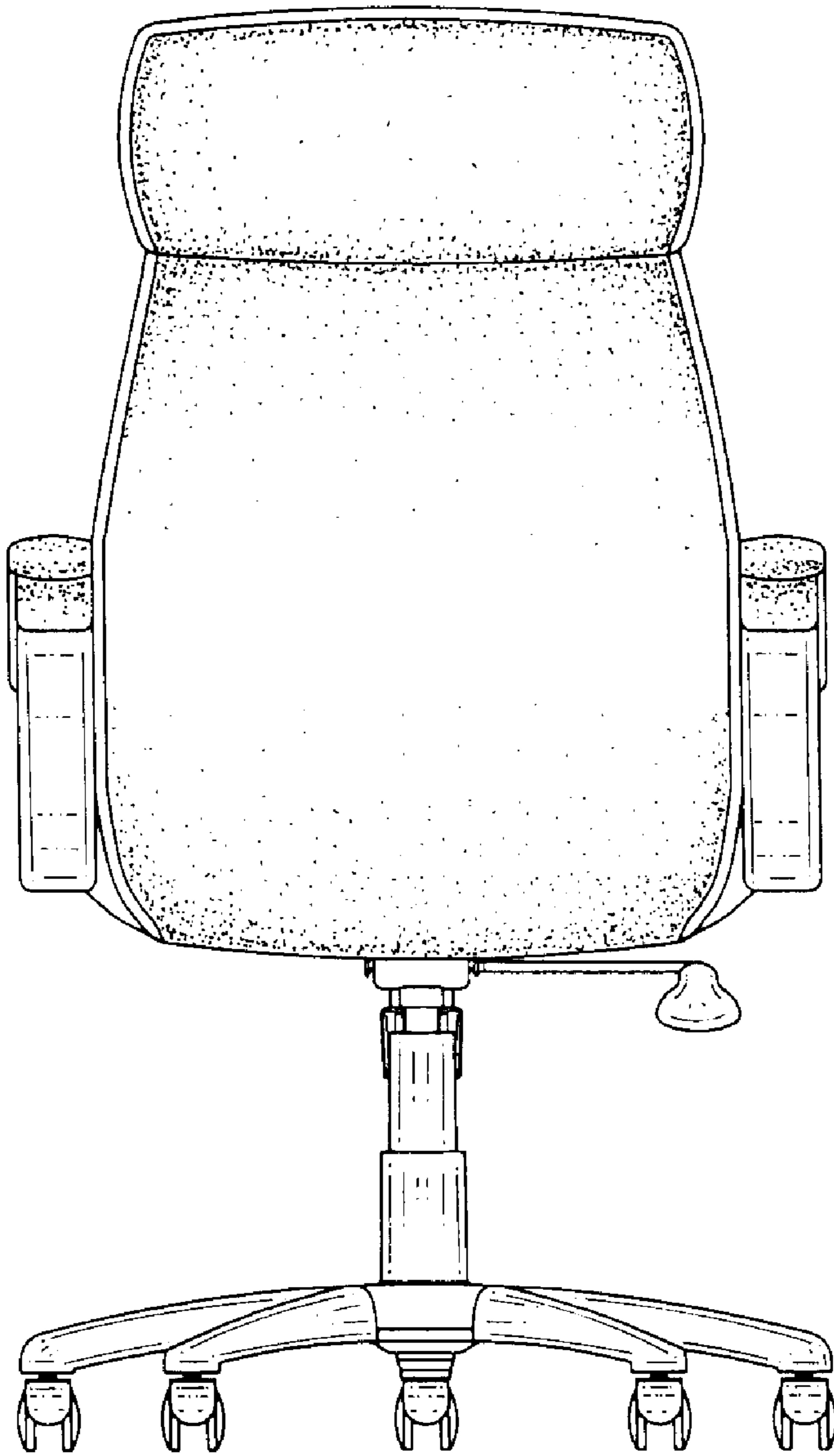


FIG. 3

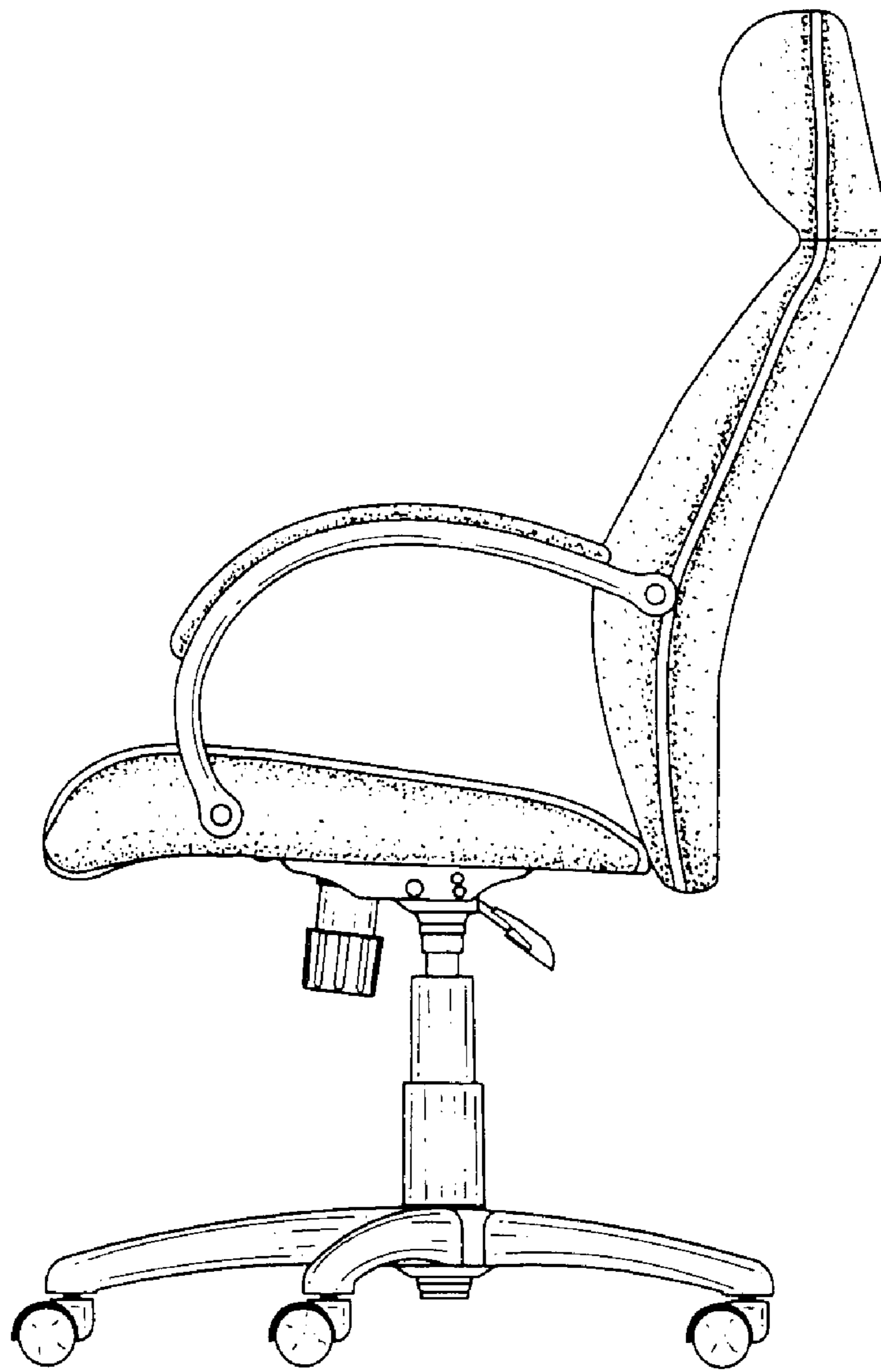


FIG. 4

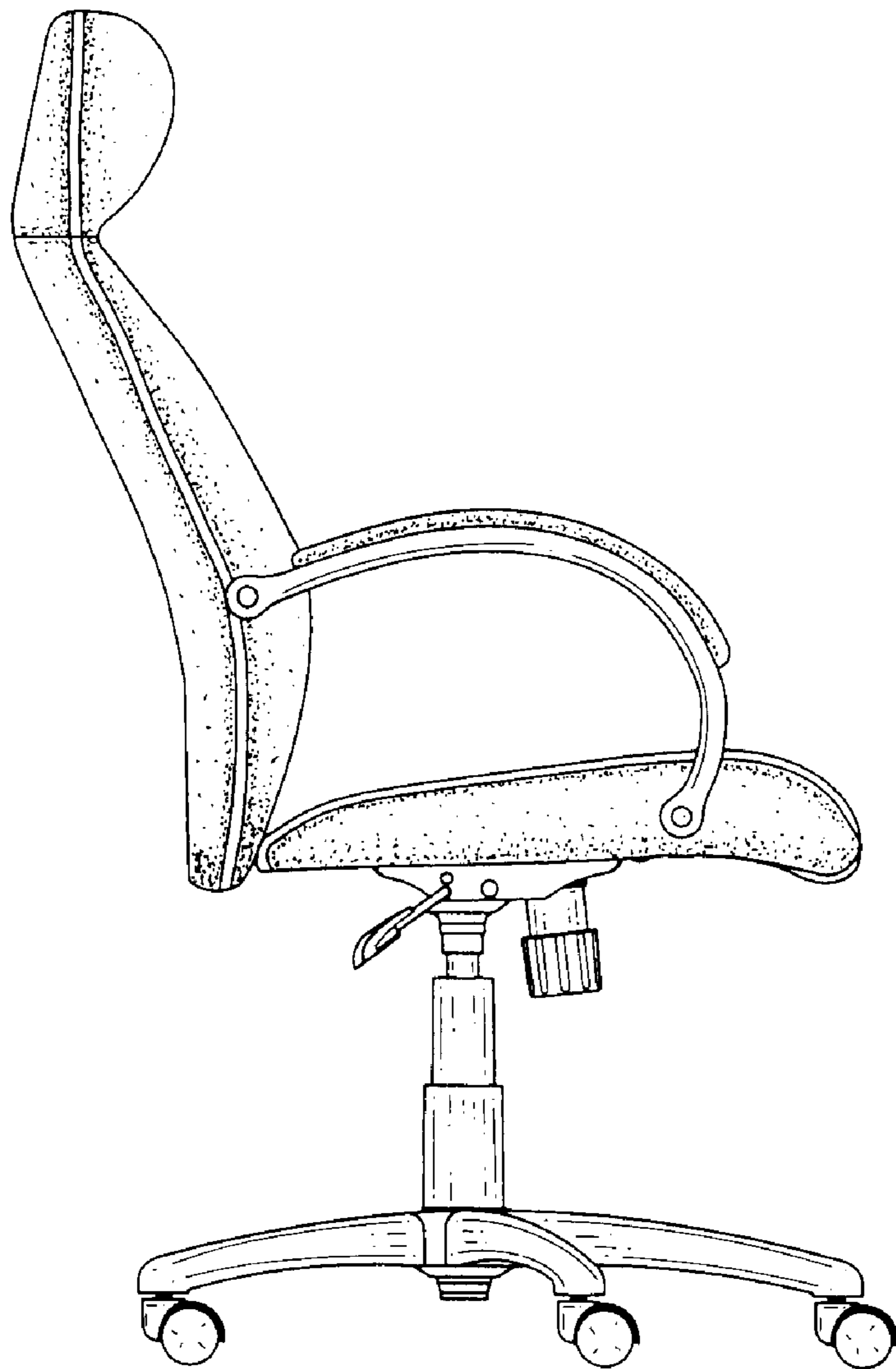


FIG. 5

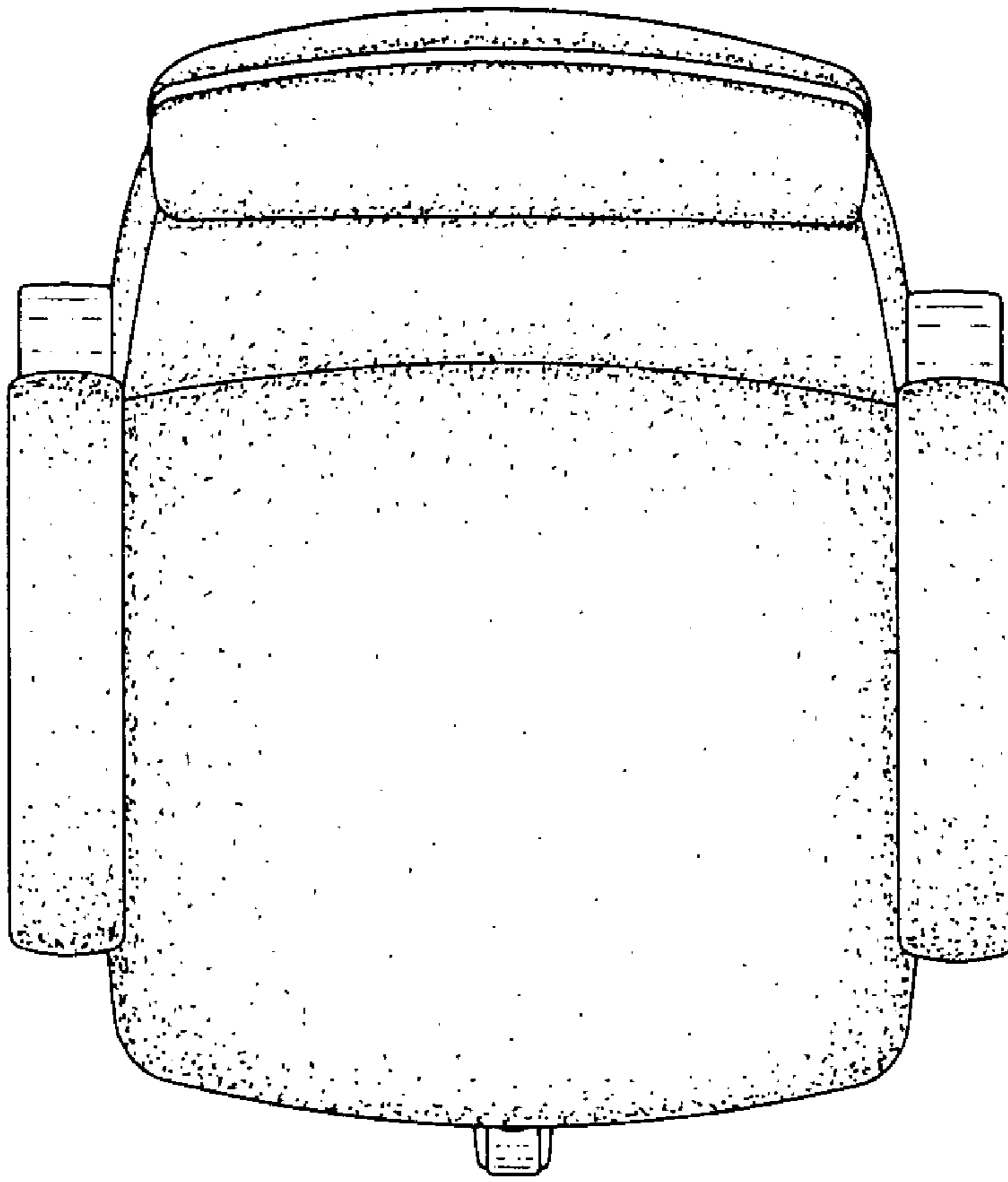


FIG. 6