



US00D531825S

(12) **United States Design Patent**
Jenkins et al.

(10) **Patent No.:** **US D531,825 S**

(45) **Date of Patent:** **** Nov. 14, 2006**

(54) **COMBINATION FOLDING CHAIR AND TOILET SUPPORT FOR TODDLER**

(76) Inventors: **Tammy R. Jenkins**, 2516 C.R. 920, Crowley, TX (US) 76036; **Thomas E. Jenkins**, 2516 C.R. 920, Crowley, TX (US) 76036

(**) **Term:** **14 Years**

(21) **Appl. No.:** **29/239,274**

(22) **Filed:** **Sep. 29, 2005**

(51) **LOC (8) Cl.** **06-01**

(52) **U.S. Cl.** **D6/335**

(58) **Field of Classification Search** D6/332, D6/335-337, 340, 349, 355, 352-353, 369-370, D6/381, 495, 499-502; 5/12.1; 108/118, 108/119, 137; 297/16.1-16.2, 451.9, 452.11, 297/452.63, 217.1, 31, 175, 423.1, 423.16, 297/461, 232; D23/295, 296

See application file for complete search history.

(56) **References Cited**

U.S. PATENT DOCUMENTS

780,006	A	*	1/1905	Mettler	297/46
780,009	A	*	1/1905	Mettler	297/46
1,419,947	A	*	6/1922	Schouten	297/17
1,738,473	A	*	12/1929	Green	297/45
2,074,998	A	*	3/1937	Kaufman	297/48
2,513,444	A	*	7/1950	Barnes	297/186
2,704,569	A	*	3/1955	Salzer	160/378
D193,336	S	*	8/1962	Batie	D6/336
3,063,061	A		11/1962	Bertram	
3,124,387	A	*	3/1964	Maclaren	297/16.2
3,136,272	A	*	6/1964	Sprigman	108/118
3,453,022	A	*	7/1969	Lecuyer	297/46
3,950,794	A	*	4/1976	Dalton	4/484
4,595,232	A	*	6/1986	Glenn et al.	297/17
4,671,566	A	*	6/1987	Knapp et al.	297/16.2
4,676,548	A	*	6/1987	Bradbury	297/129
4,824,167	A	*	4/1989	King	297/129
4,962,551	A	*	10/1990	Bly	4/480
5,309,580	A		5/1994	Amalsad et al.	
5,586,344	A		12/1996	Liang	
5,709,428	A	*	1/1998	Hughhins	297/16.2

5,720,513	A	*	2/1998	Raukauskas	297/188.1
5,882,068	A	*	3/1999	Levine	297/21
D410,739	S		6/1999	Reeves-Artison et al.	
6,000,752	A	*	12/1999	Shyr	297/188.08
6,081,943	A		7/2000	Garcete	
6,082,813	A	*	7/2000	Chen	297/16.2
6,170,907	B1	*	1/2001	Tsai	297/16.1
D438,719	S	*	3/2001	Ford, Jr.	D6/336
6,247,748	B1	*	6/2001	Zheng	297/16.2
6,247,750	B1	*	6/2001	Tsai	297/16.2
6,341,386	B1	*	1/2002	Phillips et al.	4/484
6,364,411	B1	*	4/2002	Zheng	297/173
6,499,804	B1	*	12/2002	Wu	297/381
6,547,324	B1	*	4/2003	Ammann, Jr.	297/129
6,637,811	B1	*	10/2003	Zheng	297/31
6,647,560	B1	*	11/2003	Hingley et al.	4/484
6,669,280	B1	*	12/2003	Wegner	297/16.2
6,752,414	B1	*	6/2004	Waldron et al.	280/649
6,814,408	B1	*	11/2004	Chen	297/284.6
6,889,393	B1	*	5/2005	Rinaldo	4/484

* cited by examiner

Primary Examiner—Sandra S. Snapp

(74) *Attorney, Agent, or Firm*—Donald R. Schoonover

(57) **CLAIM**

We claim the ornamental design for a combination folding chair and toilet support for toddler, as shown and described.

DESCRIPTION

FIG. 1 is a perspective view of a combination folding chair and toilet support for toddler showing our new design; FIG. 2 is a front elevational view thereof; FIG. 3 is a top plan view thereof; FIG. 4 is a bottom plan view thereof; FIG. 5 is a right side elevation view thereof, the left side elevational view thereof being a mirror image thereof; FIG. 6 is a rear elevational view thereof; and, FIG. 7 is a left side elevational view showing hinged portions of the combination folding chair and toilet support for toddler in a use position, all other views showing the hinged portions angularly displaced from each other for clarity; the broken lines depict environmental structure for illustrative purposes only and form no part of the claimed design.

1 Claim, 2 Drawing Sheets

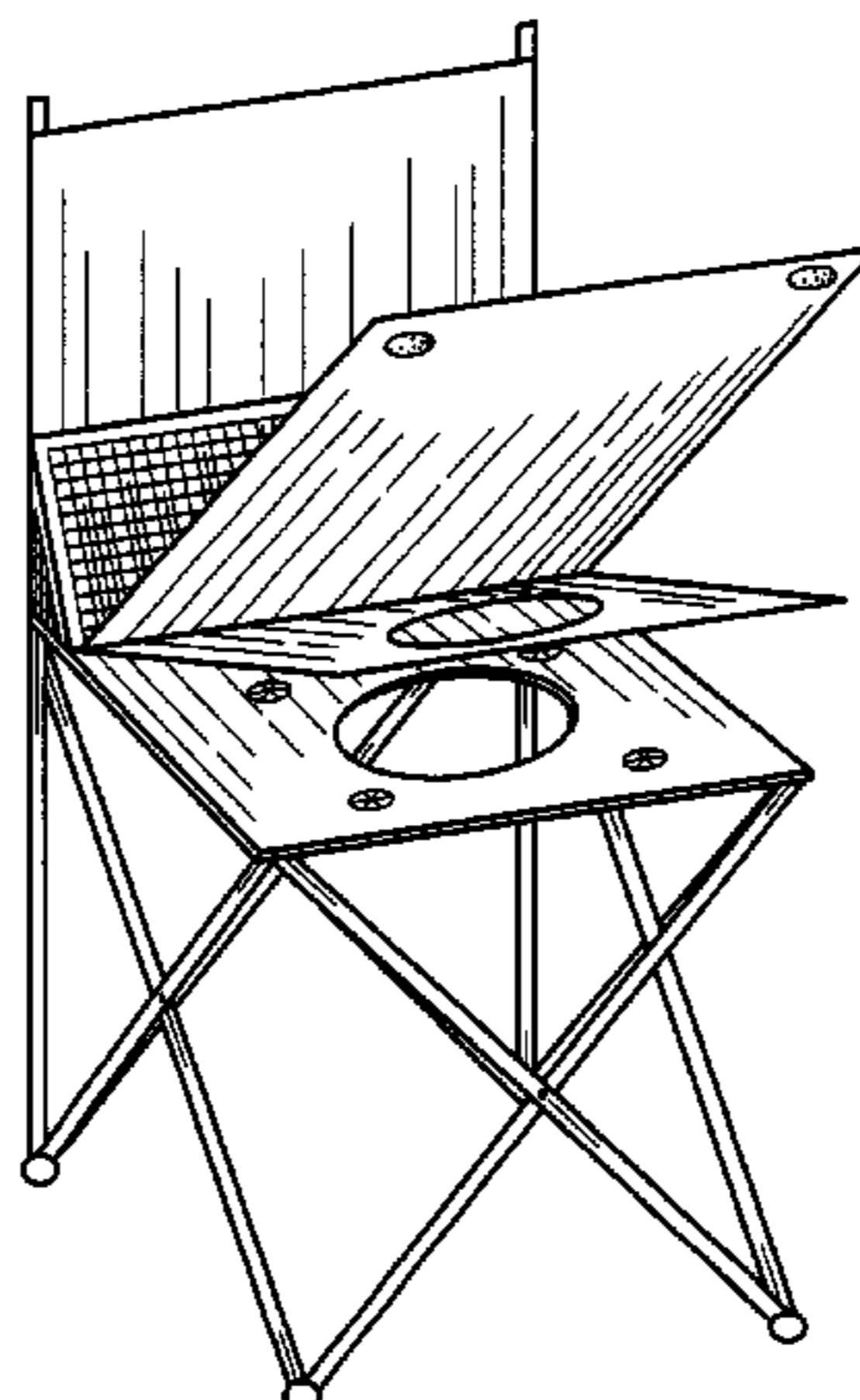


Fig. 1

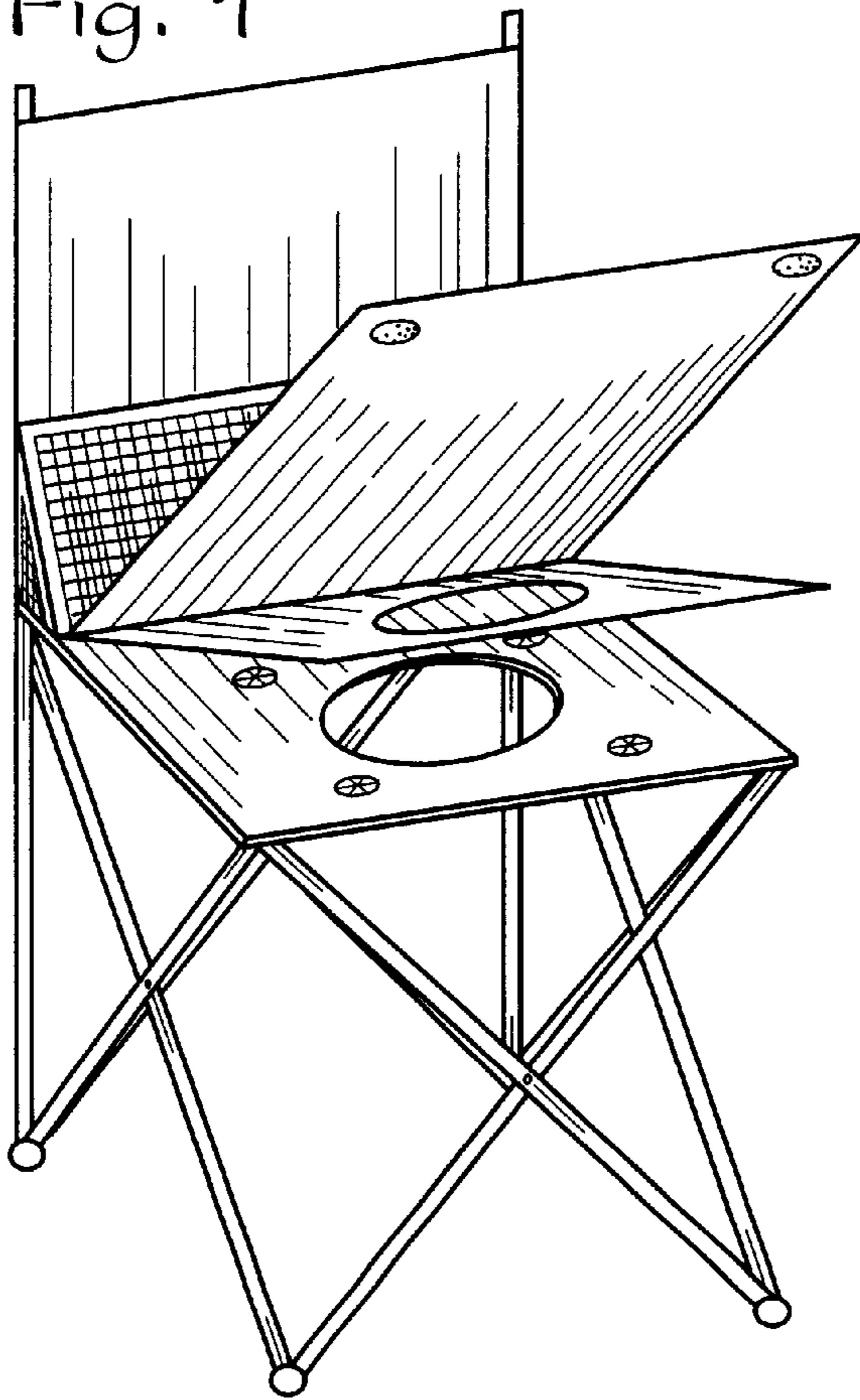


Fig. 2

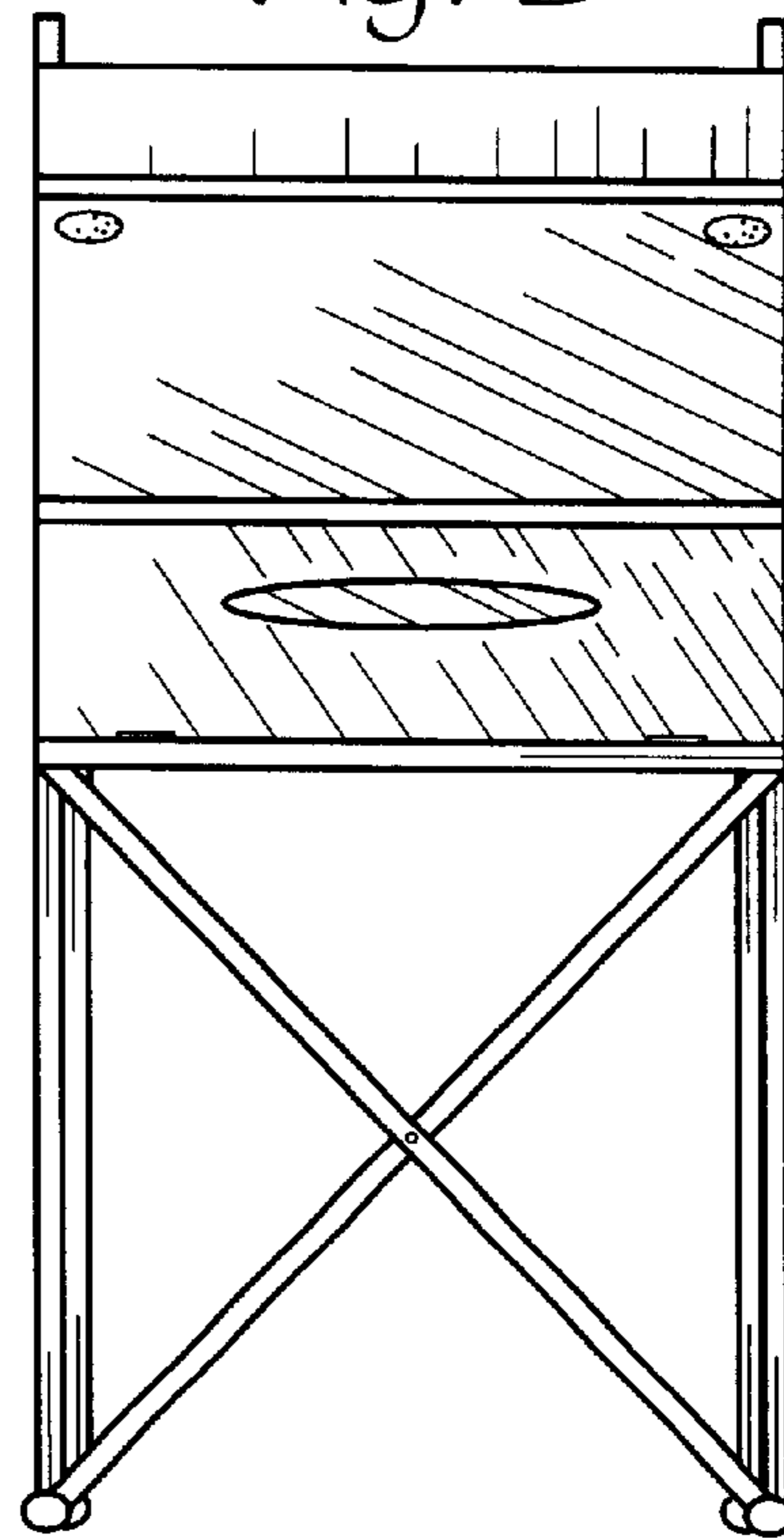


Fig. 3

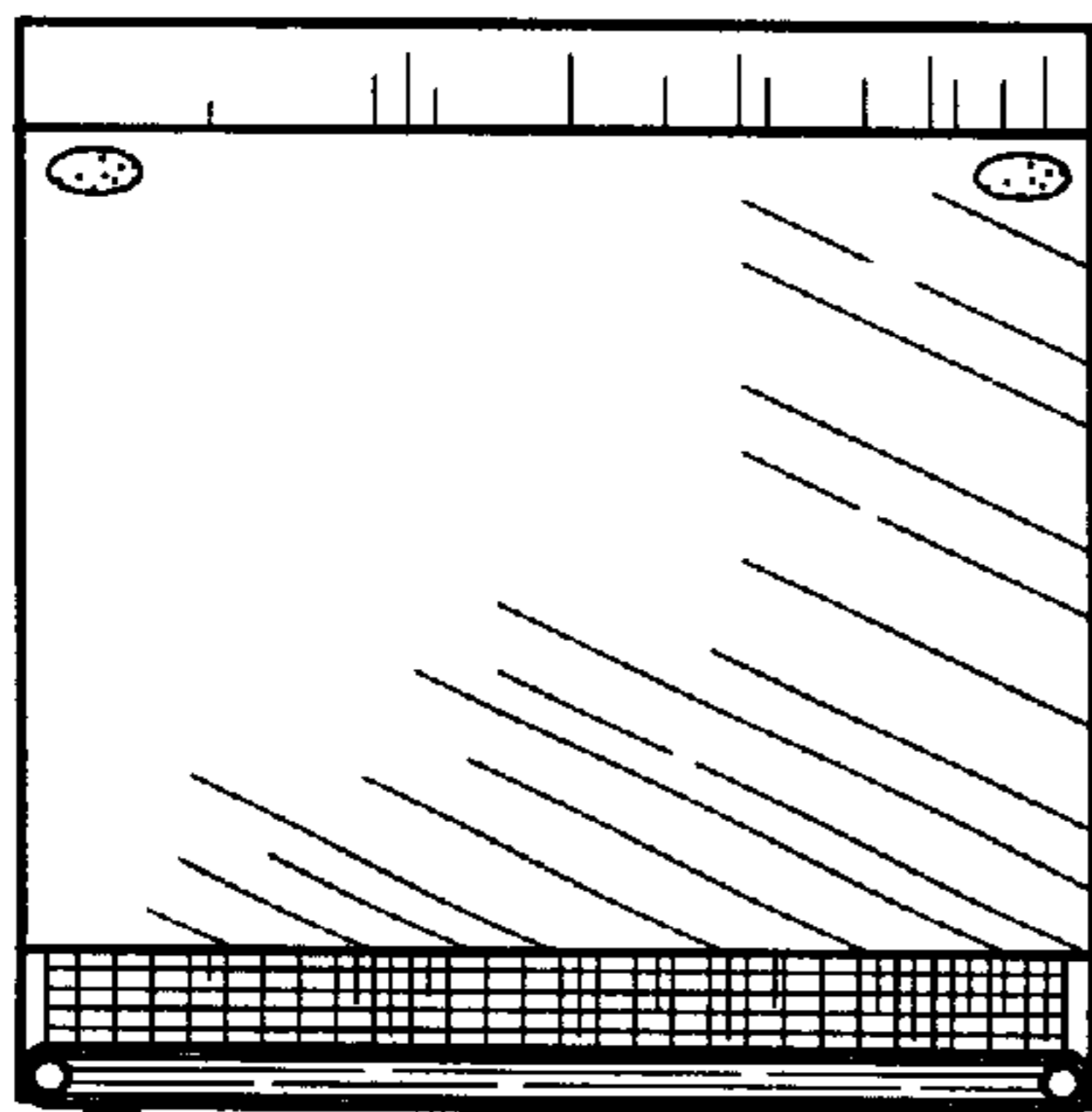


Fig. 4

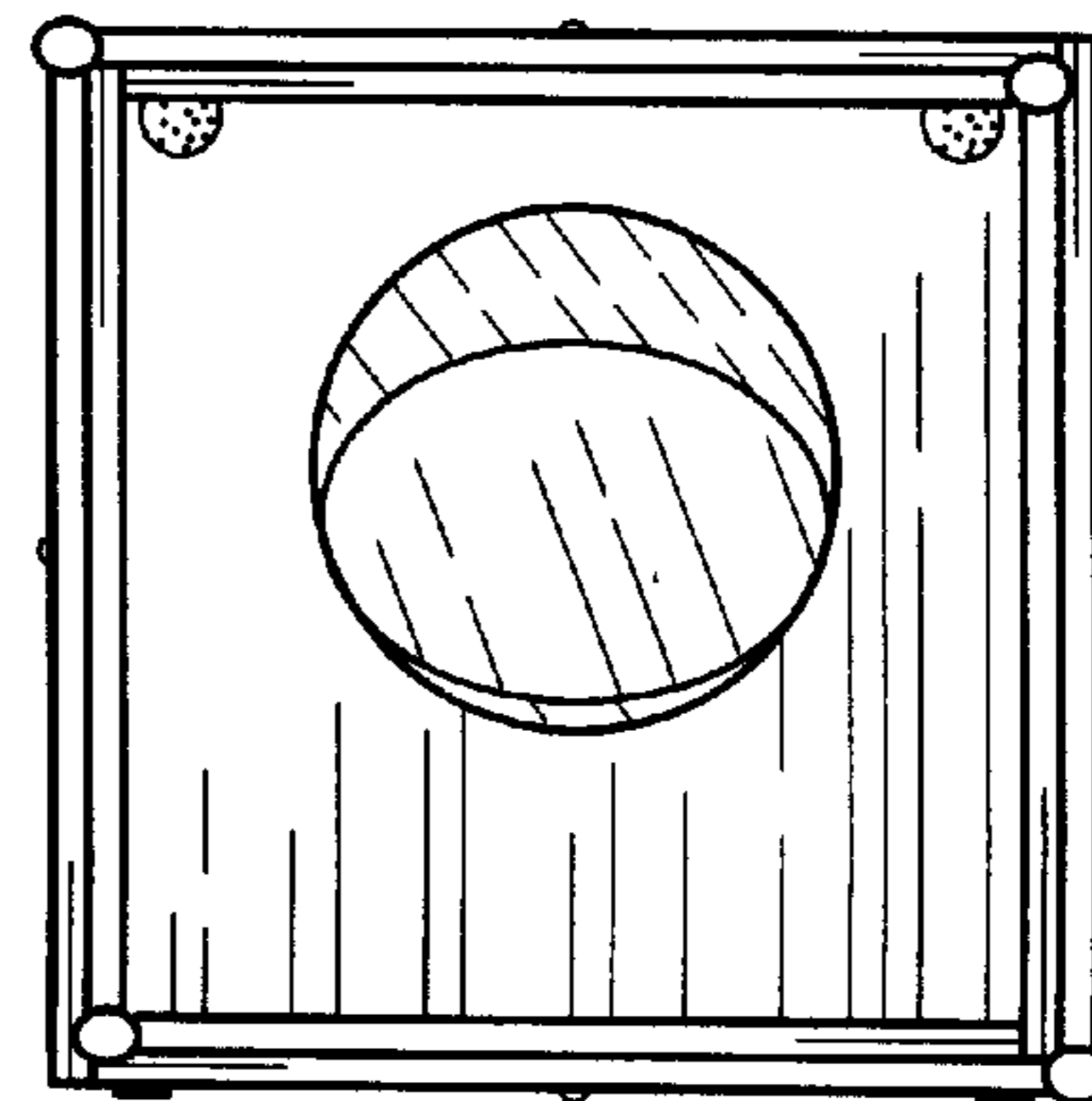


Fig. 5

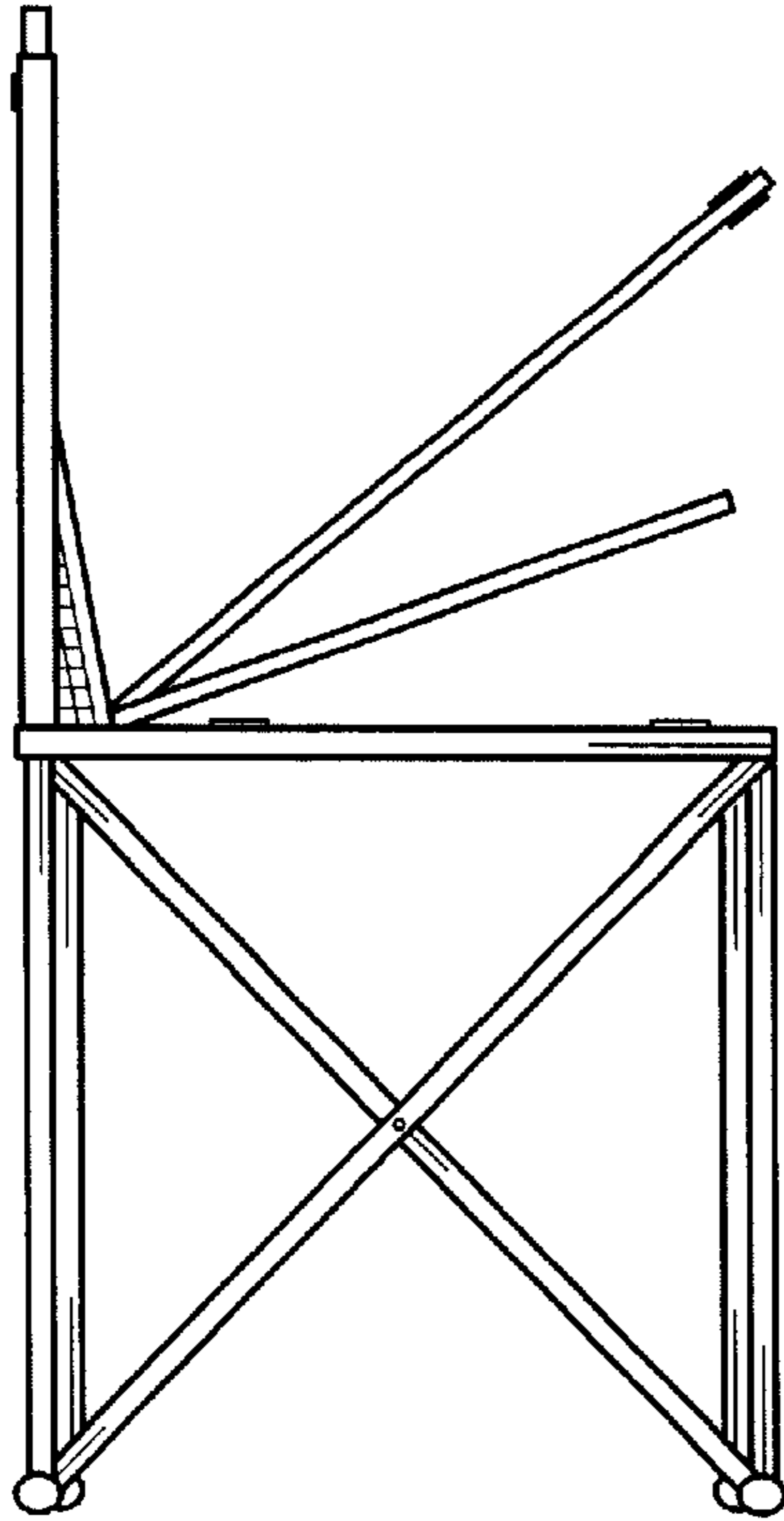


Fig. 6

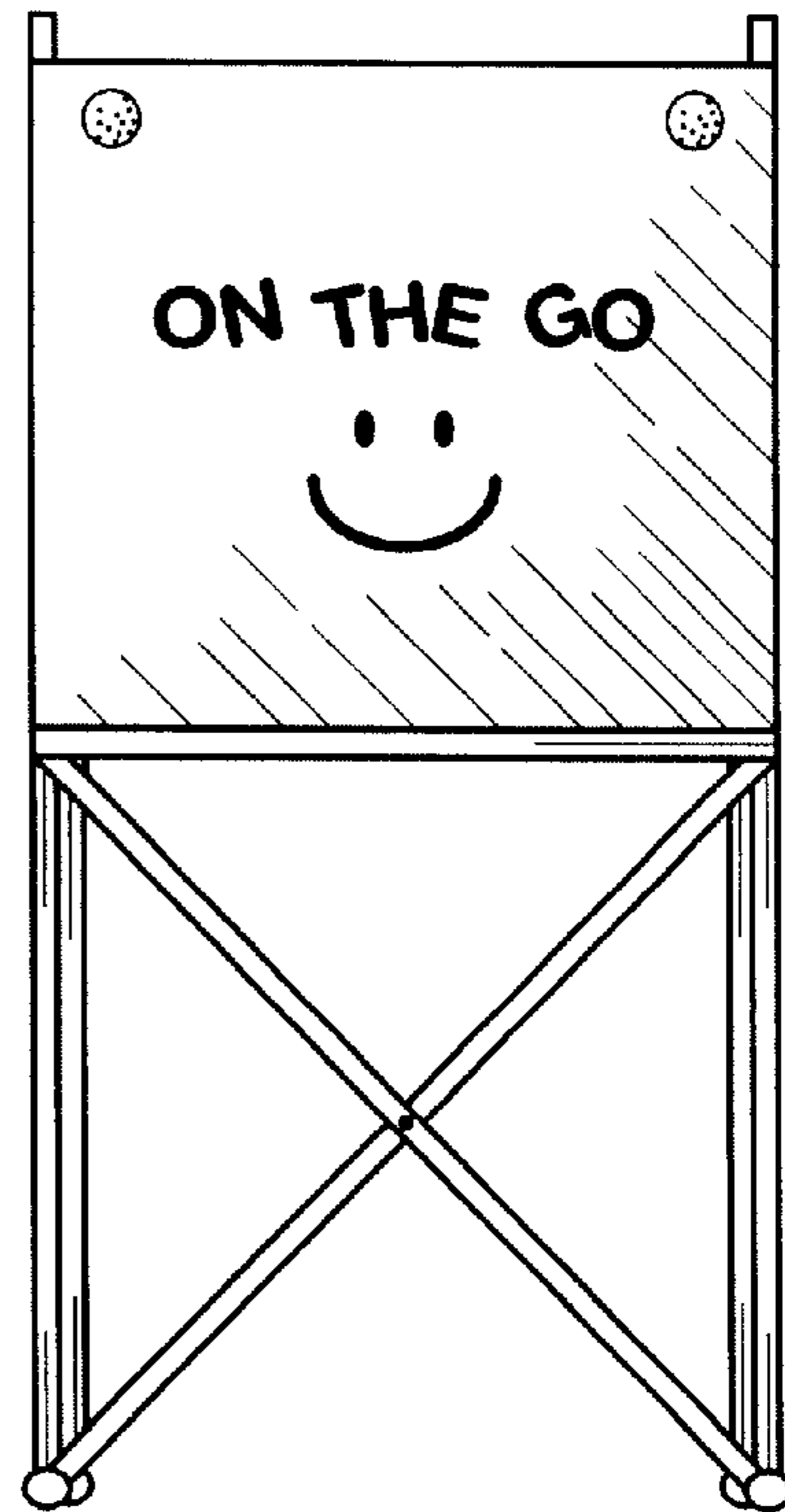


Fig. 7

