



US00D531824S

(12) **United States Design Patent** (10) **Patent No.:** **US D531,824 S**
Yau (45) **Date of Patent:** **** Nov. 14, 2006**

(54) **GARMENT HANGER WITH DEPENDENT LOOP**

(76) Inventor: **Wai Shing Yau**, 179-181, 1/F, Block 2, Yip On Fty. Bldg., Wan Hoi Road, Kowloon Bay, Kowloon (HK)

(**) Term: **14 Years**

(21) Appl. No.: **29/238,819**

(22) Filed: **Sep. 21, 2005**

(51) **LOC (8) Cl.** **06-08**

(52) **U.S. Cl.** **D6/328**

(58) **Field of Classification Search** D6/315, D6/317-319, 328; 223/85-98; 211/13.1, 211/85.3

See application file for complete search history.

4,231,500 A 11/1980 Mainetti
 D259,087 S 5/1981 Mainetti
 4,295,585 A 10/1981 Garrison
 D267,920 S 2/1983 Batts et al.
 D267,921 S 2/1983 Batts
 4,381,599 A 5/1983 Duester et al.
 4,395,799 A 8/1983 Batts
 D271,649 S 12/1983 Batts et al.
 D272,502 S 2/1984 Batts et al.
 D273,072 S 3/1984 Batts et al.
 D273,073 S 3/1984 Batts et al.
 4,446,996 A 5/1984 Garrison
 4,450,639 A 5/1984 Duester
 D281,470 S 11/1985 Batts
 4,556,158 A 12/1985 Blanchard et al.
 4,565,309 A 1/1986 Batts et al.
 D283,854 S 5/1986 Marshall
 D284,427 S 7/1986 Bredeweg
 4,600,132 A 7/1986 Blanchard
 D286,584 S 11/1986 Blanchard
 D286,585 S 11/1986 Blanchard
 4,638,930 A 1/1987 Blanchard
 4,653,678 A 3/1987 Blanchard et al.
 4,660,739 A 4/1987 Dooley et al.
 4,660,750 A 4/1987 Blanchard

(56) **References Cited**
 U.S. PATENT DOCUMENTS

3,946,915 A 3/1976 Crane
 3,987,898 A 10/1976 Crane
 3,991,884 A 11/1976 DeMaagd et al.
 4,007,861 A 2/1977 Duester et al.
 4,017,990 A 4/1977 Garrison
 4,023,762 A 5/1977 Batts et al.
 4,034,865 A 7/1977 Batts et al.
 4,034,903 A 7/1977 Batts
 4,046,293 A 9/1977 Garrison
 D246,817 S 1/1978 Mainetti
 4,071,146 A 1/1978 Batts
 D247,150 S 2/1978 Duester
 4,073,457 A 2/1978 Batts et al.
 4,101,059 A 7/1978 Batts et al.
 D249,619 S 9/1978 Wolff
 4,115,940 A 9/1978 Phillips
 4,123,864 A 11/1978 Batts et al.
 4,157,782 A 6/1979 Mainetti
 D253,081 S 10/1979 Mainetti
 4,177,908 A 12/1979 Batts et al.
 4,187,967 A 2/1980 Garrison
 4,192,441 A 3/1980 Batts
 4,194,274 A 3/1980 Garrison
 4,198,773 A 4/1980 Batts et al.

(Continued)

Primary Examiner—Stella Reid
Assistant Examiner—Shanda C. Hill
 (74) *Attorney, Agent, or Firm*—Baker & McKenzie LLP

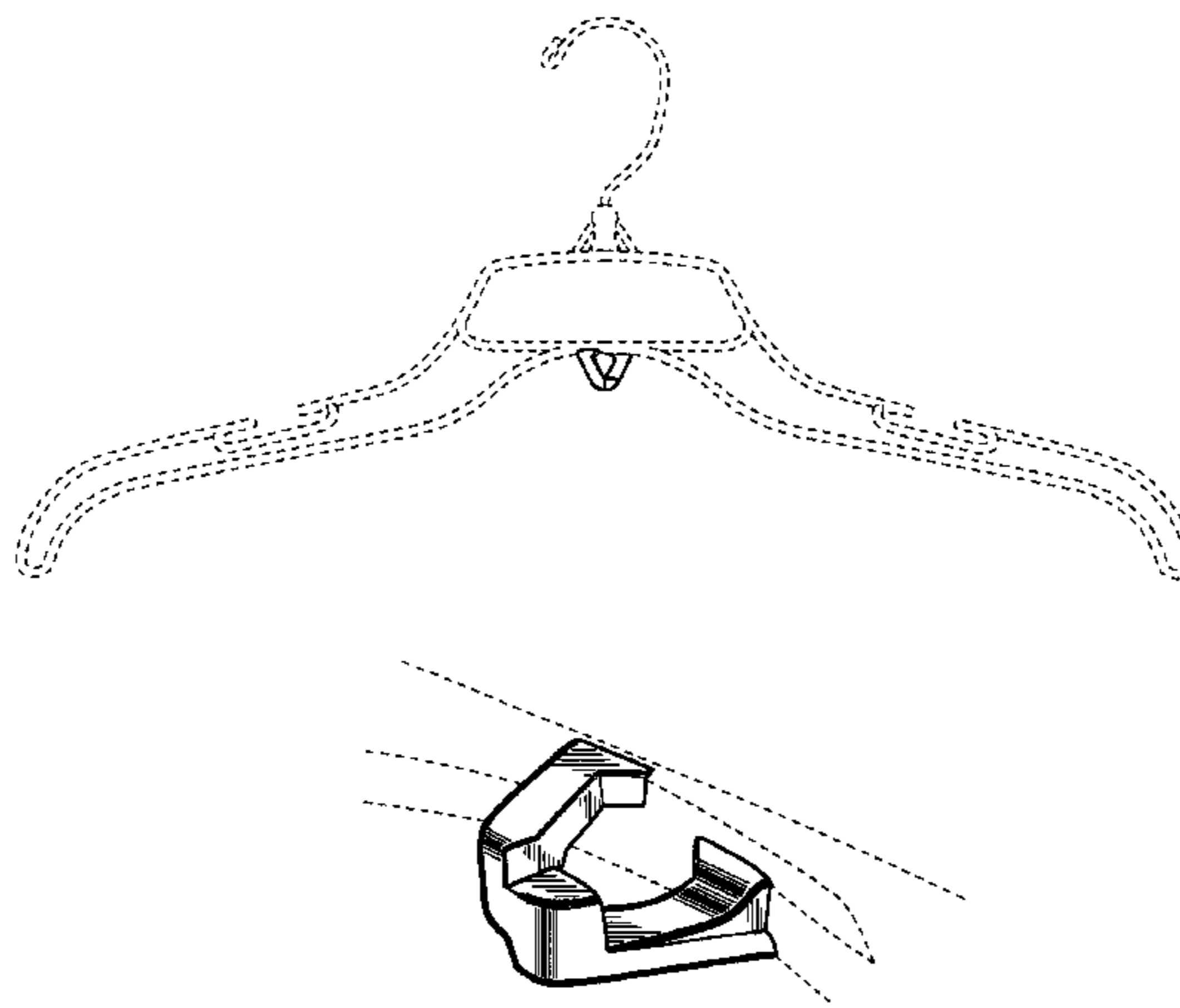
(57) **CLAIM**

The ornamental design for a garment hanger with dependent loop, as shown and described.

DESCRIPTION

FIG. 1 is a front view of a garment hanger with dependent loop, showing my new design;
 FIG. 2 is an enlarged perspective view thereof;
 FIG. 3 is an enlarged front view thereof; and,
 FIG. 4 is an enlarged bottom view thereof.
 The broken lines shown in the drawing disclosure are for illustrative purposes only and form no part of the claimed design.

1 Claim, 1 Drawing Sheet



US D531,824 S

Page 2

U.S. PATENT DOCUMENTS						
			5,212,854	A	5/1993	Hollis
			D337,893	S	8/1993	Norman
			D340,138	S	10/1993	Gouldson
			D341,947	S	12/1993	Marshall et al.
			5,272,806	A	12/1993	Marshall et al.
			5,285,566	A	2/1994	Marshall et al.
			5,306,055	A	4/1994	Mainetti
			D348,987	S	7/1994	Gouldson et al.
			D350,236	S	9/1994	Gouldson et al.
			5,350,092	A	9/1994	Hollis
			D352,834	S	11/1994	Norman
			5,361,948	A	11/1994	Batts
			5,388,354	A	2/1995	Marshall et al.
			5,398,854	A	3/1995	Blanchard
			5,400,932	A	3/1995	Hollis
			5,411,189	A	5/1995	Gouldson
			D358,942	S	6/1995	Blanchard et al.
			5,441,182	A	8/1995	Sullivan
			5,449,099	A	9/1995	Blanchard
			5,469,995	A	11/1995	Bredeweg et al.
			5,477,995	A	12/1995	Dooley et al.
			D368,376	S	4/1996	Gouldson et al.
			5,507,086	A	4/1996	Marshall et al.
			5,509,587	A	4/1996	Gouldson et al.
			5,516,013	A	5/1996	Gouldson et al.
			5,516,014	A	5/1996	Garrison
			5,524,801	A	6/1996	Dooley et al.
			D371,246	S	7/1996	Gouldson et al.
			5,535,927	A	7/1996	Garrison
			5,558,280	A	9/1996	Morgan
			5,568,685	A	10/1996	Marshall et al.
			D375,208	S	11/1996	Gouldson
			D376,263	S	12/1996	Gouldson
			5,584,421	A	12/1996	Blanchard et al.
			D377,717	S	2/1997	Gouldson
			5,604,975	A	2/1997	Marshall et al.
			5,613,630	A	3/1997	Isenga et al.
			5,628,132	A	5/1997	Marshall et al.
			5,683,018	A	11/1997	Sullivan et al.
			D388,620	S	1/1998	Gouldson et al.
			D388,964	S	1/1998	Gouldson
			D390,015	S	2/1998	Gouldson
			D392,113	S	3/1998	Gouldson
			D394,754	S	6/1998	Gouldson
			D396,353	S	7/1998	Gouldson
			5,775,553	A	7/1998	Marshall et al.
			5,775,575	A	7/1998	Dorman et al.
			5,785,216	A	7/1998	Gouldson et al.
			5,785,260	A	7/1998	Morgan
			5,794,363	A	8/1998	Marshall et al.
			5,803,321	A	9/1998	Willinger et al.
			5,814,252	A	9/1998	Gouldson et al.
			D400,718	S	11/1998	Bortolus
			5,857,276	A	1/1999	Marshall et al.
			D405,964	S	2/1999	Willinger
			5,884,422	A	3/1999	Marshall et al.
			5,894,923	A	4/1999	Hamstra et al.
			D409,006	S	5/1999	Blanchard
			D409,400	S	5/1999	Peruzzo
			D409,846	S	5/1999	Blanchard
			D410,793	S	6/1999	Gouldson
			5,915,605	A	6/1999	Blanchard
			5,934,525	A	8/1999	Blanchard
			5,944,237	A	8/1999	Gouldson
			D413,446	S	9/1999	Gouldson
			D414,044	S	9/1999	Choi et al.
			5,950,885	A	9/1999	Morgan
			D414,946	S	10/1999	Gouldson
			D415,357	S	10/1999	Blanchard
			5,992,714	A	11/1999	Morgan
			5,996,862	A	12/1999	Peruzzo et al.
4,729,498	A	3/1988	Blanchard			
4,739,912	A	4/1988	Klawieter et al.			
4,744,496	A	5/1988	Blanchard et al.			
4,746,039	A	5/1988	Batts et al.			
D296,046	S	6/1988	Marshall			
D296,729	S	7/1988	Blanchard			
4,759,480	A	7/1988	Duester et al.			
D297,286	S	8/1988	Blanchard			
4,762,238	A	8/1988	Blanchard			
D298,387	S	11/1988	Duester			
D298,783	S	12/1988	Blanchard			
D299,086	S	12/1988	Wilson			
4,793,531	A	12/1988	Blanchard et al.			
D299,593	S	1/1989	Blanchard			
4,807,334	A	2/1989	Blanchard			
4,826,056	A	5/1989	Duester et al.			
D301,661	S	6/1989	Wilson			
D301,806	S	6/1989	Wilson			
D301,808	S	6/1989	Marshall			
D301,942	S	7/1989	Talbot-Titley			
D301,943	S	7/1989	Wilson			
D302,214	S	7/1989	Wilson			
D303,324	S	9/1989	Wilson			
D303,325	S	9/1989	Marshall			
4,871,097	A	10/1989	Blanchard et al.			
4,871,098	A	10/1989	Bredeweg et al.			
4,881,836	A	11/1989	Blanchard			
4,884,727	A	12/1989	Blanchard			
4,886,195	A	12/1989	Blanchard			
4,889,265	A	12/1989	Morgan			
4,892,237	A	1/1990	Duester et al.			
D305,834	S	2/1990	DeVito			
D305,835	S	2/1990	DeVito			
4,901,894	A	2/1990	Blanchard			
D307,982	S	5/1990	Duester			
4,932,571	A	6/1990	Blanchard			
4,940,244	A	7/1990	Batts, III			
4,967,500	A	11/1990	Bredeweg			
D316,334	S	4/1991	Duester			
5,020,705	A	6/1991	Garrison			
5,022,571	A	6/1991	Blanchard			
5,029,739	A	7/1991	Blanchard et al.			
5,052,600	A	10/1991	Elchisak et al.			
5,054,666	A	10/1991	Blanchard			
5,056,248	A	10/1991	Blanchard			
5,069,373	A	12/1991	Kolton et al.			
5,071,045	A	12/1991	Hollis			
5,074,447	A	12/1991	Kolton et al.			
5,082,153	A	1/1992	Duester et al.			
D323,749	S	2/1992	Blanchard et al.			
D324,313	S	3/1992	Kolton et al.			
D324,459	S	3/1992	Gouldson et al.			
5,092,502	A	3/1992	Kolton et al.			
5,096,101	A	3/1992	Norman et al.			
D325,822	S	5/1992	Hollis			
D328,194	S	7/1992	Garrison			
5,129,557	A	7/1992	Kolton et al.			
5,135,141	A	8/1992	Harmer et al.			
5,137,191	A	8/1992	Blanchard et al.			
D329,754	S	9/1992	Gouldson et al.			
D329,755	S	9/1992	Gouldson			
5,155,881	A	10/1992	Lafferty			
D331,869	S	12/1992	Batts et al.			
5,170,916	A	12/1992	Kolton et al.			
D332,180	S	1/1993	Marshall et al.			
D332,233	S	1/1993	Batts			
5,183,191	A	2/1993	Garrison et al.			
D334,096	S	3/1993	Blanchard			
D334,846	S	4/1993	Blanchard			
D335,581	S	5/1993	Gouldson			

US D531,824 S

Page 3

D418,311 S	1/2000	Gouldson	6,516,980 B1	2/2003	Goldman
6,019,260 A	2/2000	Gouldson	6,523,240 B1	2/2003	Gouldson
6,019,261 A	2/2000	Morgan et al.	D472,394 S	4/2003	Hawkins
6,023,819 A	2/2000	Wong et al.	6,564,980 B1	5/2003	Gouldson et al.
6,029,868 A	2/2000	Willinger et al.	6,588,634 B1	7/2003	Gouldson et al.
6,041,983 A	3/2000	Sullivan et al.	6,609,640 B1	8/2003	Bokmiller
6,041,984 A	3/2000	Gouldson	6,609,641 B1	8/2003	Sutton
D423,234 S	4/2000	Gouldson	6,612,000 B1	9/2003	Housley
6,050,461 A	4/2000	Batts et al.	6,675,997 B1	1/2004	Gouldson et al.
6,055,350 A	4/2000	Brown et al.	6,681,966 B1	1/2004	Gouldson et al.
D423,797 S	5/2000	Gouldson	6,705,496 B1	3/2004	Marshall et al.
D424,817 S	5/2000	Morgan et al.	6,711,808 B1	3/2004	Sollanek et al.
6,076,863 A	6/2000	Platt Brown et al.	6,715,650 B1	4/2004	Gouldson
6,085,950 A	7/2000	Gouldson et al.	6,743,323 B1	6/2004	Mainetti
D429,898 S	8/2000	Morgan et al.	6,758,379 B1	7/2004	Elwell
6,098,254 A	8/2000	Willinger	6,772,923 B1	8/2004	Olk et al.
6,105,834 A	8/2000	Cohen	D498,935 S	11/2004	Gouldson
6,105,836 A	8/2000	Batts et al.	D498,936 S	11/2004	Gouldson
RE36,873 E	9/2000	Gouldson et al.	D500,412 S	1/2005	Gouldson
6,128,932 A	10/2000	Mainetti et al.	D501,092 S	1/2005	Mainetti
D435,173 S	12/2000	Morgan et al.	D502,009 S	2/2005	Gouldson
6,158,635 A	12/2000	Batts	D502,011 S	2/2005	Gouldson
D435,973 S	1/2001	Gouldson	D502,328 S	3/2005	Gouldson
D436,743 S	1/2001	Batts et al.	D502,606 S	3/2005	Gouldson
6,173,872 B1	1/2001	Cohen	D502,651 S	3/2005	Gouldson
6,189,746 B1	2/2001	Gouldson	D503,287 S	3/2005	Gouldson
6,196,430 B1	3/2001	Gouldson	6,865,832 B1	3/2005	Goldman
6,199,728 B1	3/2001	Cohen	6,871,765 B1	3/2005	Mainetti
D439,751 S	4/2001	Gouldson	D504,024 S	4/2005	Mainetti
D440,409 S	4/2001	Blanchard	6,874,666 B1	4/2005	Gouldson et al.
D440,410 S	4/2001	Gouldson	6,875,392 B1	4/2005	Olk et al.
D441,550 S	5/2001	Gouldson	6,892,910 B1	5/2005	Capuano et al.
6,241,133 B1	6/2001	Morgan et al.	D506,077 S	6/2005	Pluchino et al.
6,260,745 B1	7/2001	Gouldson et al.	D506,320 S	6/2005	Gouldson
6,264,075 B1	7/2001	Gouldson et al.	D506,619 S	6/2005	Mainetti
D447,878 S	9/2001	Hawkins	D507,418 S	7/2005	Mainetti
6,289,569 B1	9/2001	Marshall et al.	D507,419 S	7/2005	Gouldson
D449,743 S	10/2001	Morgan	6,915,931 B1	7/2005	Gouldson et al.
6,305,586 B1	10/2001	Wong	6,923,350 B1	8/2005	Gouldson et al.
6,306,329 B1	10/2001	Willinger	6,926,180 B1	8/2005	Mainetti
6,308,872 B1	10/2001	Duerr et al.	D511,049 S	11/2005	Gouldson
D450,463 S	11/2001	Wong et al.	D512,571 S	12/2005	Gouldson et al.
D450,464 S	11/2001	Olk et al.	2001/0011663 A1	8/2001	Olk et al.
D451,291 S	12/2001	Hawkins	2001/0016994 A1	8/2001	Gouldson et al.
D453,423 S	2/2002	Goldman et al.	2001/0019070 A1	9/2001	Gouldson et al.
D454,006 S	3/2002	Gouldson	2002/0056734 A1	5/2002	Olk et al.
D454,435 S	3/2002	Willinger	2002/0070251 A1	6/2002	Gouldson et al.
6,357,638 B1	3/2002	Gouldson	2002/0190090 A1	12/2002	Gouldson et al.
6,378,744 B1	4/2002	Olk et al.	2003/0126725 A1	7/2003	Housley
6,382,478 B1	5/2002	Gouldson et al.	2003/0136804 A1	7/2003	Gouldson et al.
D458,039 S	6/2002	Gouldson	2003/0154594 A1	8/2003	Sollanek et al.
D459,593 S	7/2002	Gouldson	2003/0183665 A1	10/2003	Olk et al.
6,421,910 B1	7/2002	Marshall et al.	2003/0209577 A1	11/2003	Gouldson et al.
6,422,437 B1	7/2002	Gouldson et al.	2004/0004096 A1	1/2004	Gouldson et al.
6,422,438 B1	7/2002	Batts	2004/0163239 A1	8/2004	Sollanek et al.
6,435,387 B1	8/2002	Gouldson et al.	2004/0182891 A1	9/2004	Mainetti
D463,918 S	10/2002	Goldman et al.	2004/0188475 A1	9/2004	Gouldson
6,467,658 B1	10/2002	Olk et al.	2004/0200865 A1	10/2004	Mainetti
6,467,659 B1	10/2002	Gouldson	2004/0206788 A1	10/2004	Capuano et al.
6,474,517 B1	11/2002	Sutton	2004/0222252 A1	11/2004	Gouldson et al.
6,484,390 B1	11/2002	Gouldson et al.	2004/0222254 A1	11/2004	Olk et al.
D466,311 S	12/2002	Hawkins	2005/0067445 A1	3/2005	De Groot
D466,704 S	12/2002	Hawkins	2005/0139625 A1	6/2005	Gouldson
D466,705 S	12/2002	Hawkins	2005/0194412 A1	9/2005	Petrou
6,499,633 B1	12/2002	Pogmore			
6,499,634 B1	12/2002	Olk et al.			
D469,964 S	2/2003	Gouldson			

* cited by examiner

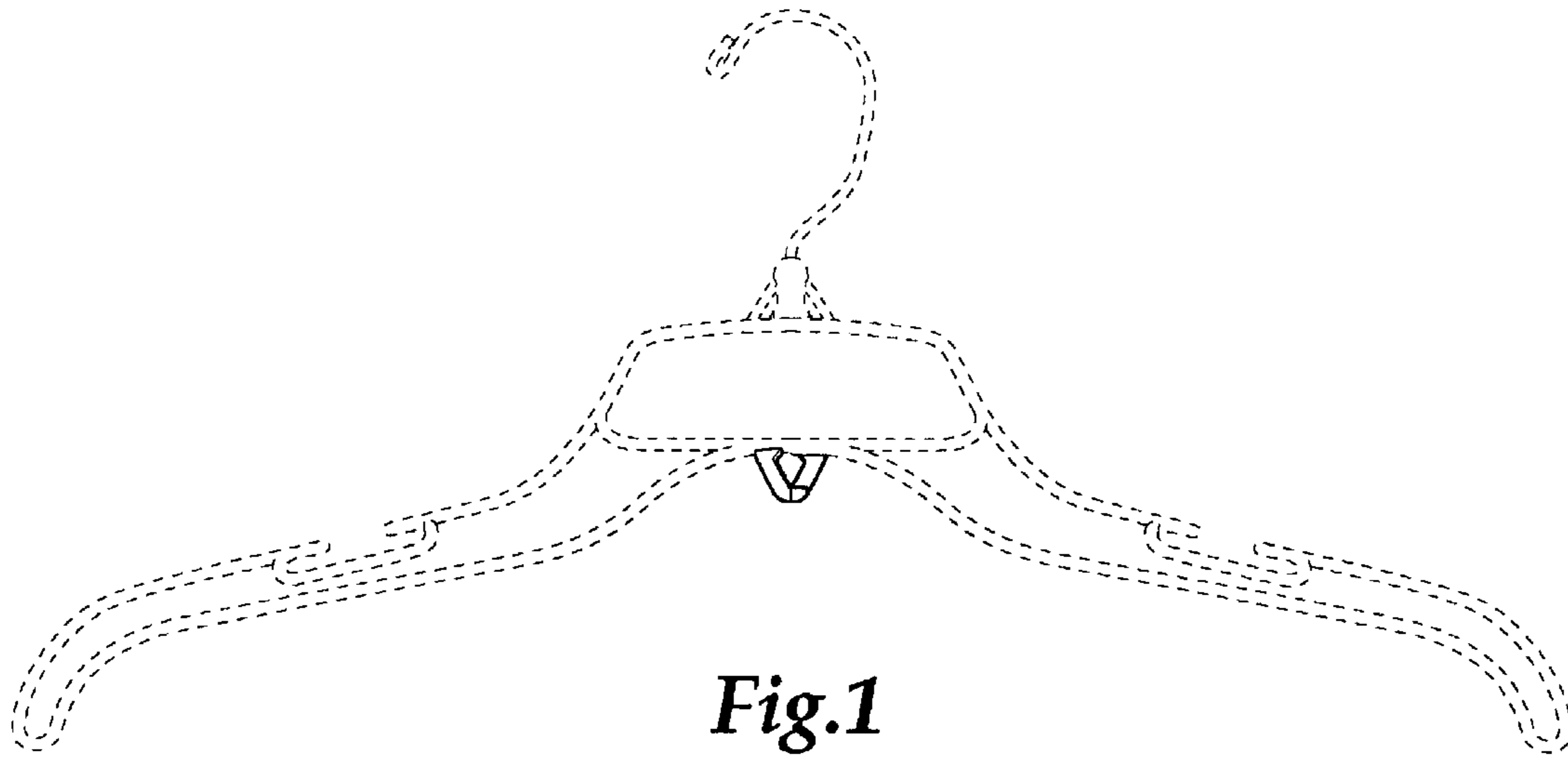


Fig.1

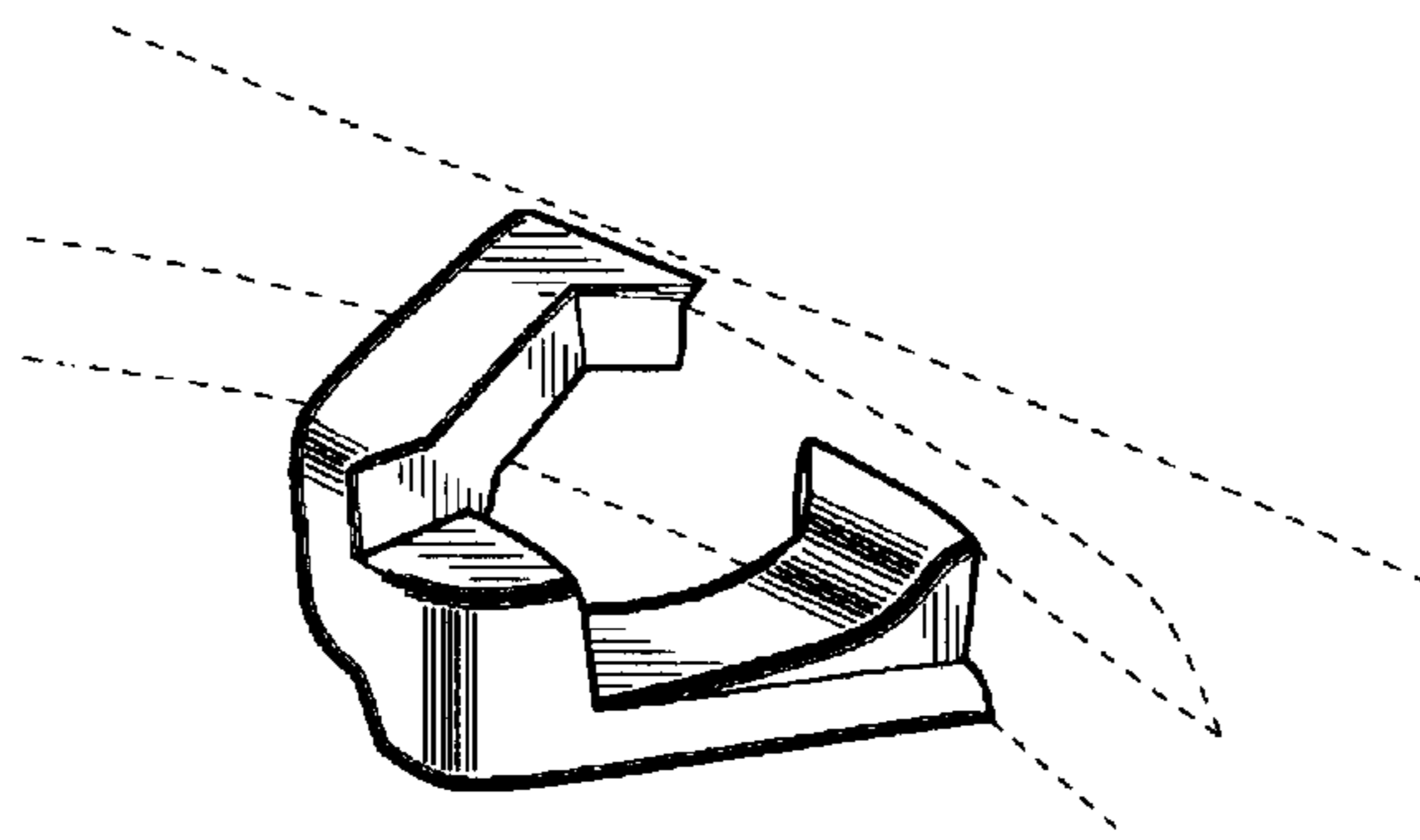


Fig.2

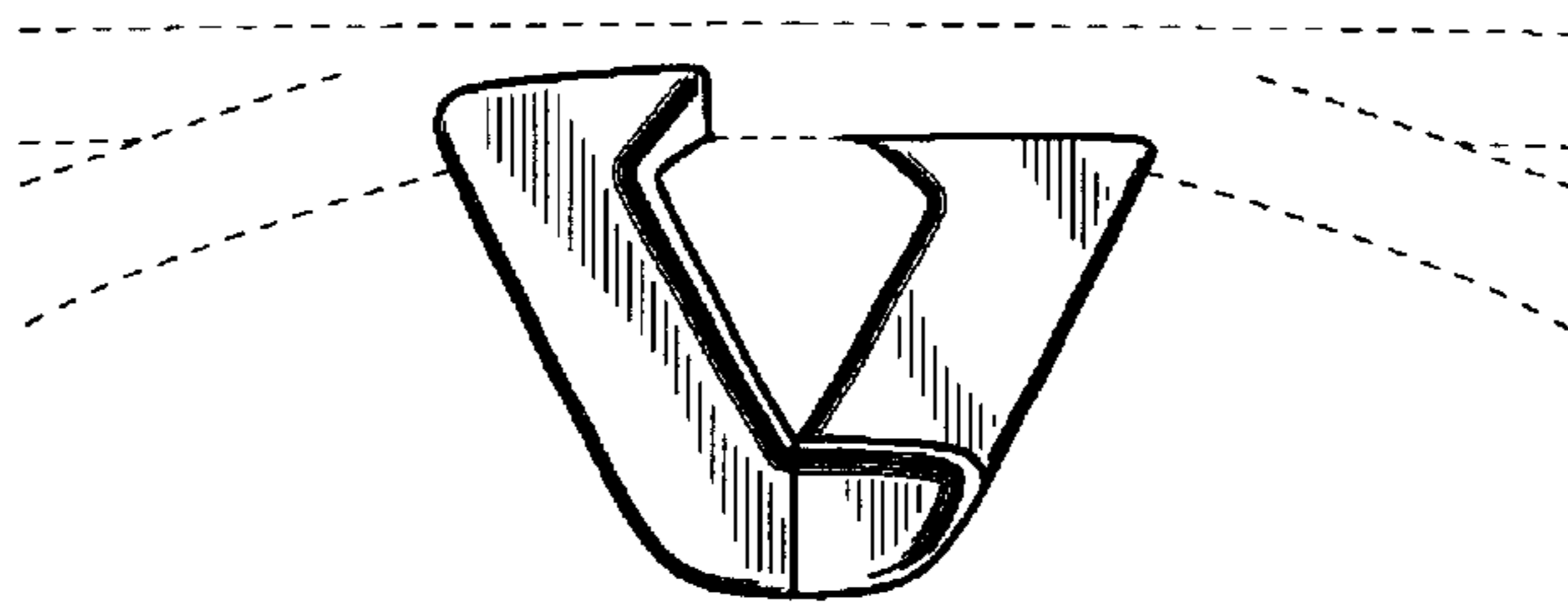


Fig.3



Fig.4