



US00D531821S

(12) **United States Design Patent**
Tipton

(10) **Patent No.:** **US D531,821 S**

(45) **Date of Patent:** **** Nov. 14, 2006**

(54) **PICTURE FRAME**

(76) **Inventor:** **Buddy D. Tipton**, 2244 Anderson Hwy., Liberty, SC (US) 29657

(**) **Term:** **14 Years**

(21) **Appl. No.:** **29/244,658**

(22) **Filed:** **Dec. 12, 2005**

(51) **LOC (8) Cl.** **06-07**

(52) **U.S. Cl.** **D6/303**

(58) **Field of Classification Search** D6/300-303, D6/308-314, 563; 40/700, 711, 714, 721, 40/722, 728, 745, 761, 765, 780, 798, 799, 40/725; 211/14; D10/6; D11/133

See application file for complete search history.

(56) **References Cited**

U.S. PATENT DOCUMENTS

D237,933 S	*	12/1975	Farley	D6/303
4,245,416 A		1/1981	Maguire		
4,466,206 A		8/1984	Meadows		
D317,530 S		6/1991	Masterson		
5,068,987 A		12/1991	Tontarelli		

5,365,683 A	*	11/1994	Borja	40/781
5,400,532 A		3/1995	Grove		
D380,906 S	*	7/1997	White	D6/303
D440,407 S	*	4/2001	Farley	D6/303
6,553,704 B1		4/2003	Pigg		

* cited by examiner

Primary Examiner—Janice E. Seeger

Assistant Examiner—Sydney R. Buffalow

(74) *Attorney, Agent, or Firm*—Sturm & Fix LLP

(57) **CLAIM**

The ornamental design for a picture frame, as shown and described.

DESCRIPTION

FIG. 1 is a perspective view of the picture frame showing my new design;

FIG. 2 is a right side elevational view thereof;

FIG. 3 is a left side elevational view thereof;

FIG. 4 is a front elevational view thereof;

FIG. 5 is a rear elevational view thereof;

FIG. 6 is a top plan view thereof; and,

FIG. 7 is a bottom plan view thereof.

1 Claim, 2 Drawing Sheets

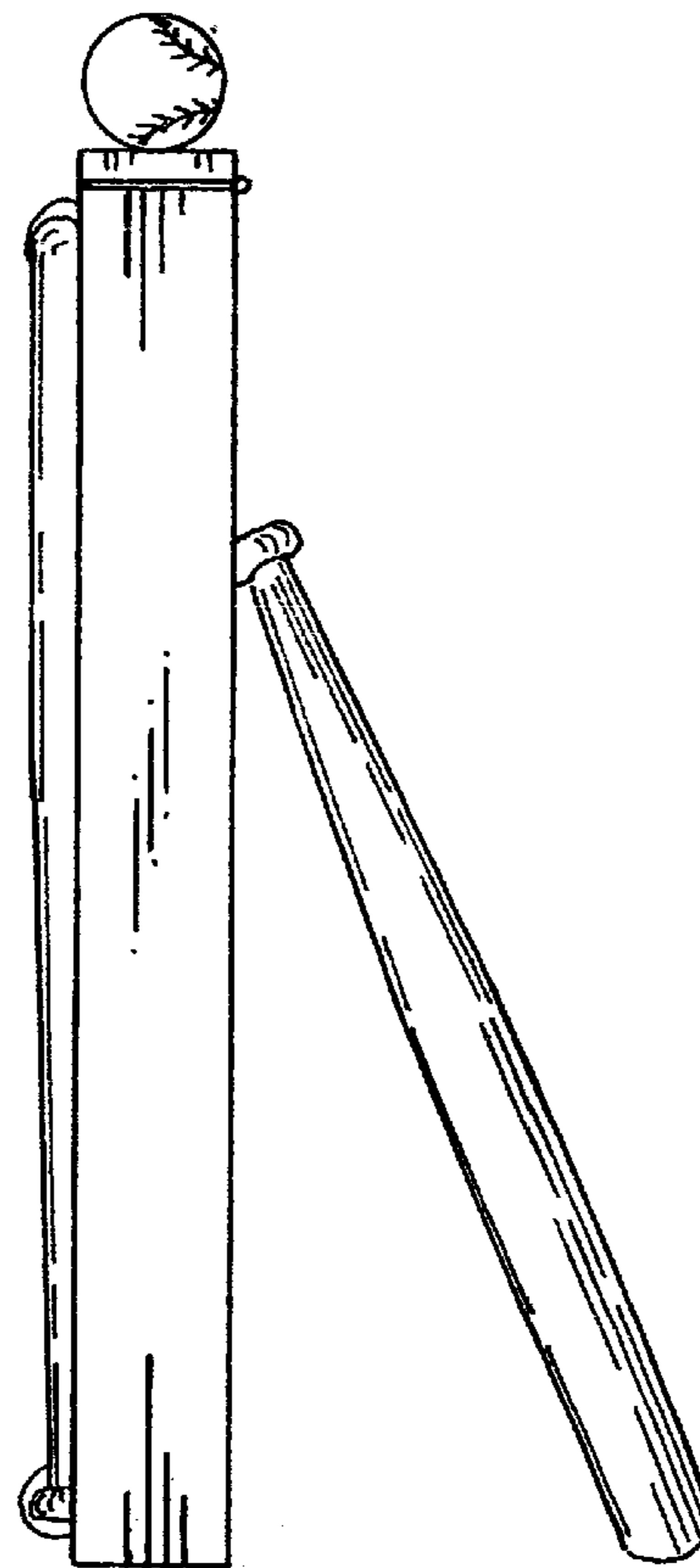
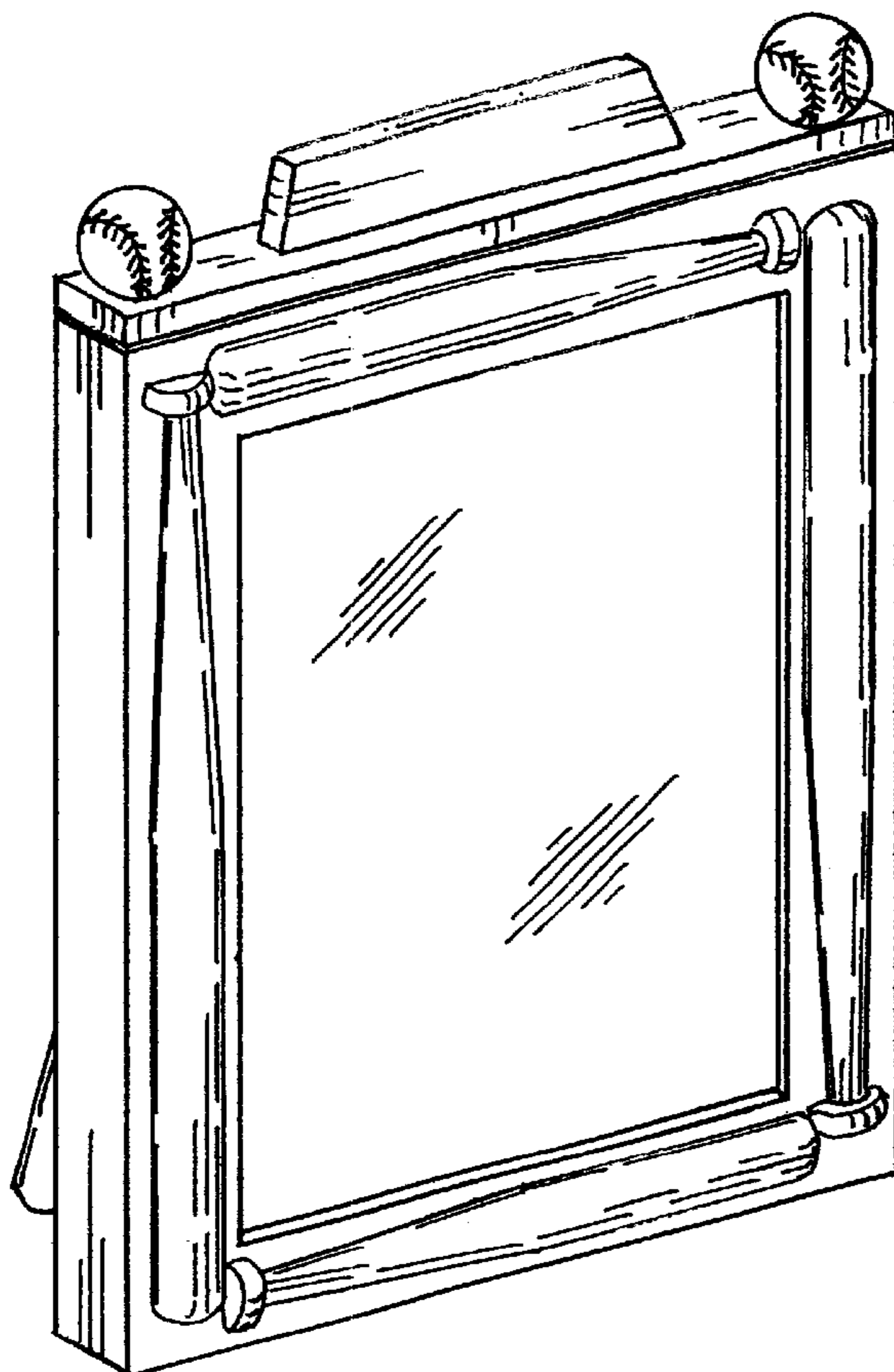


Fig. 1

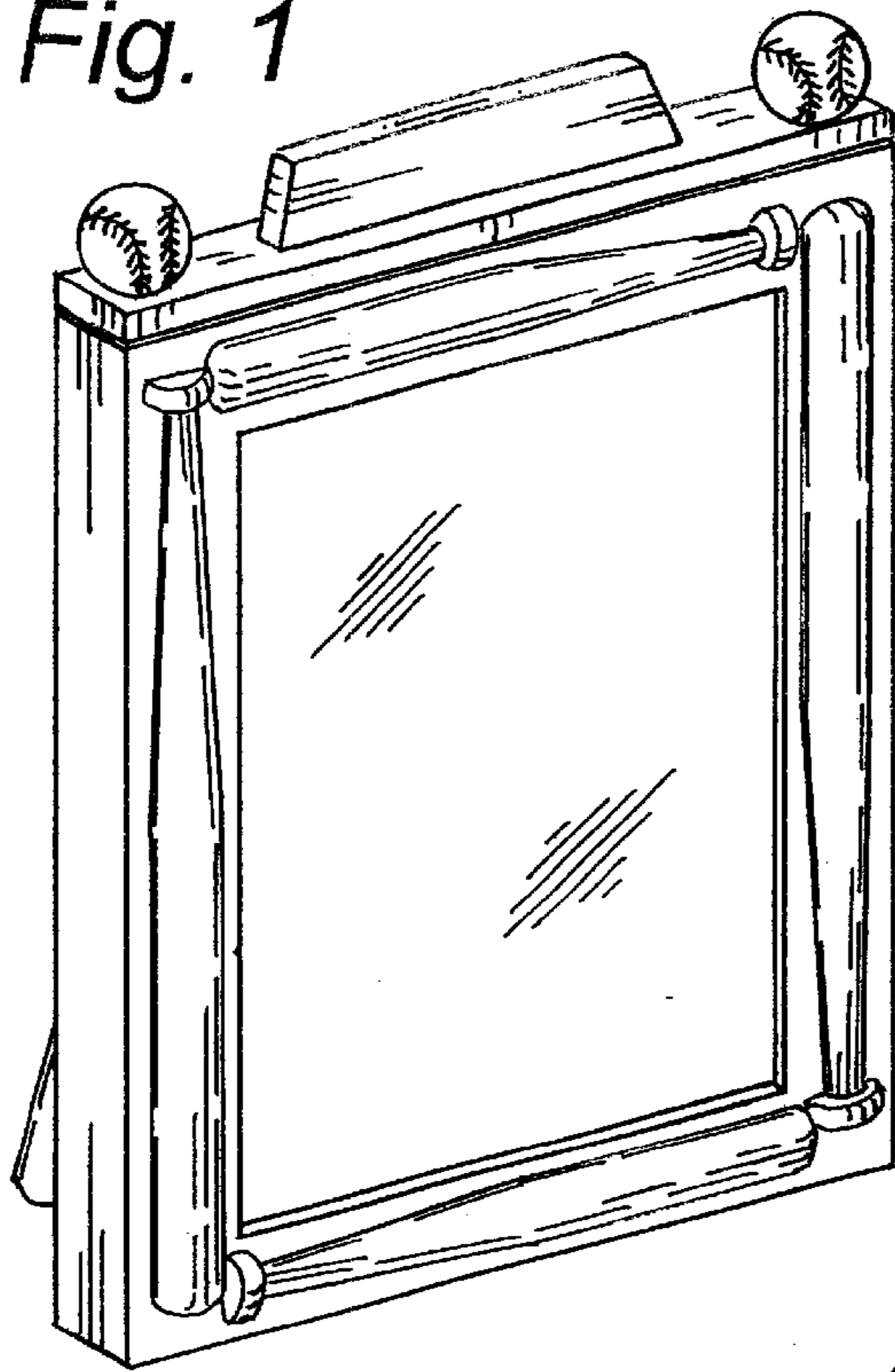


Fig. 2

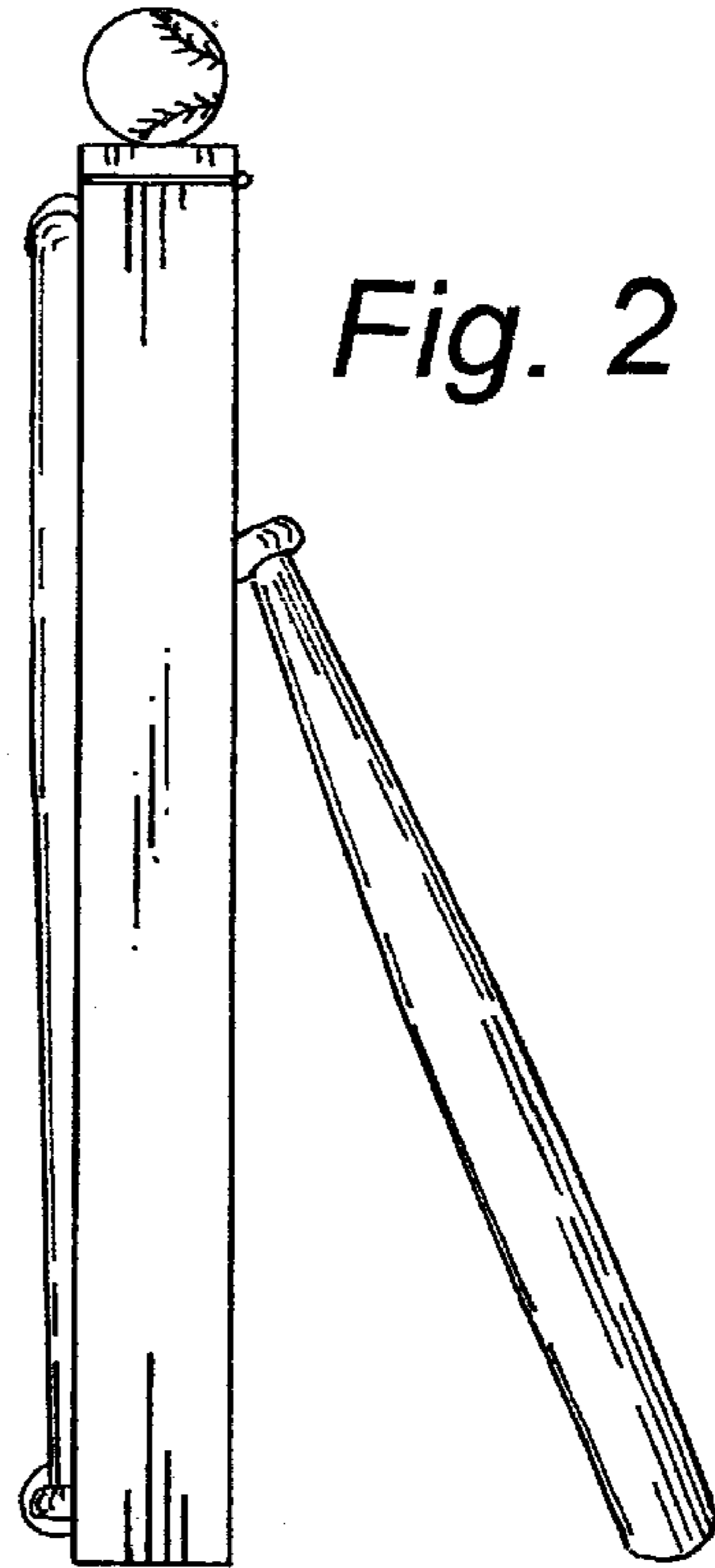


Fig. 3

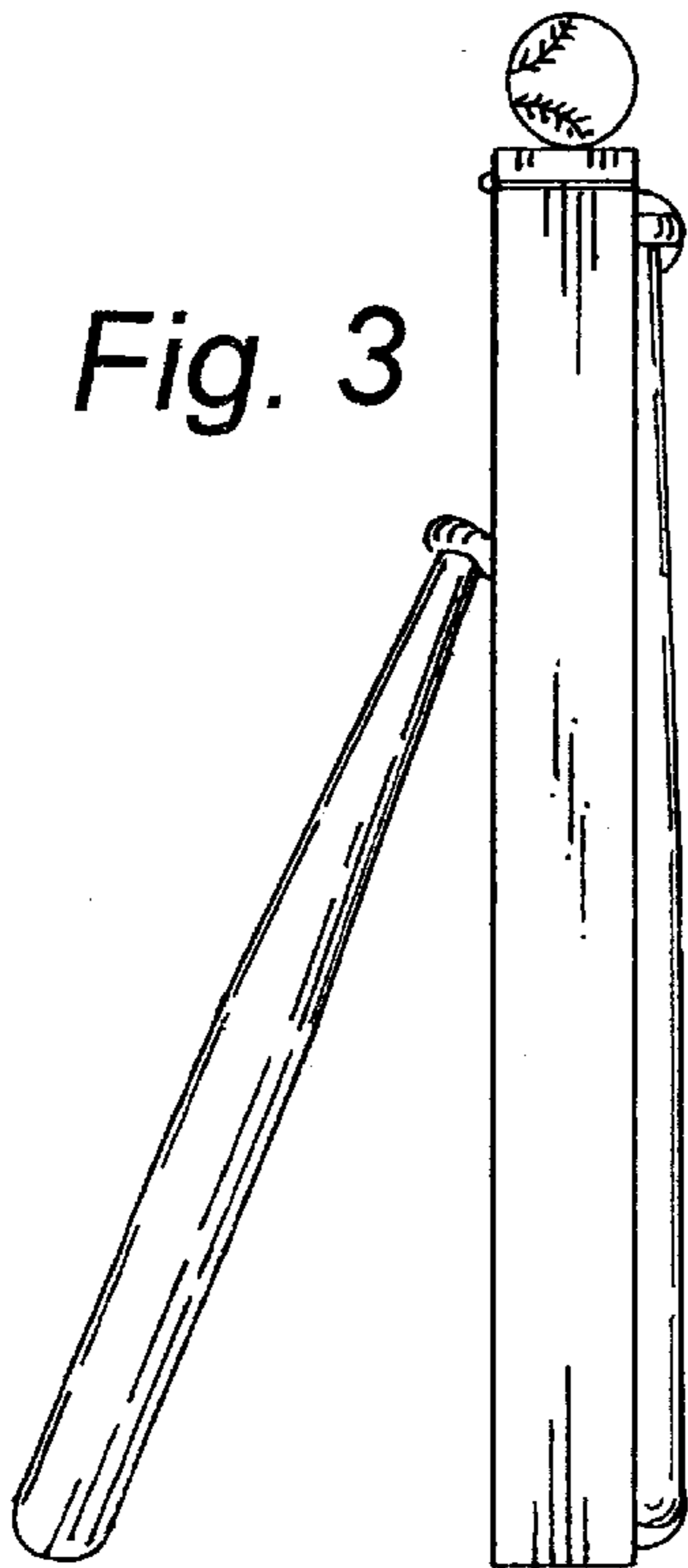
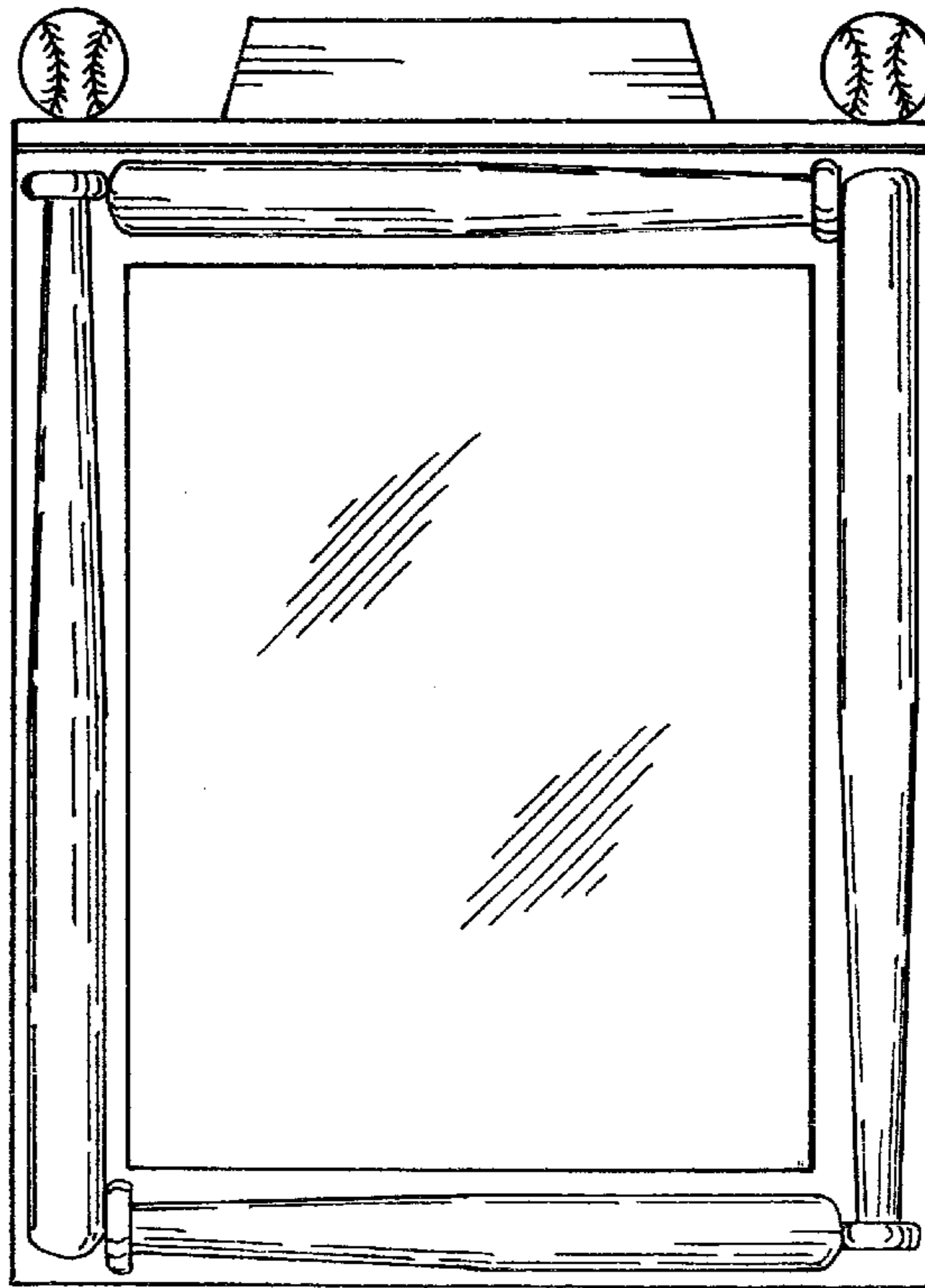


Fig. 4



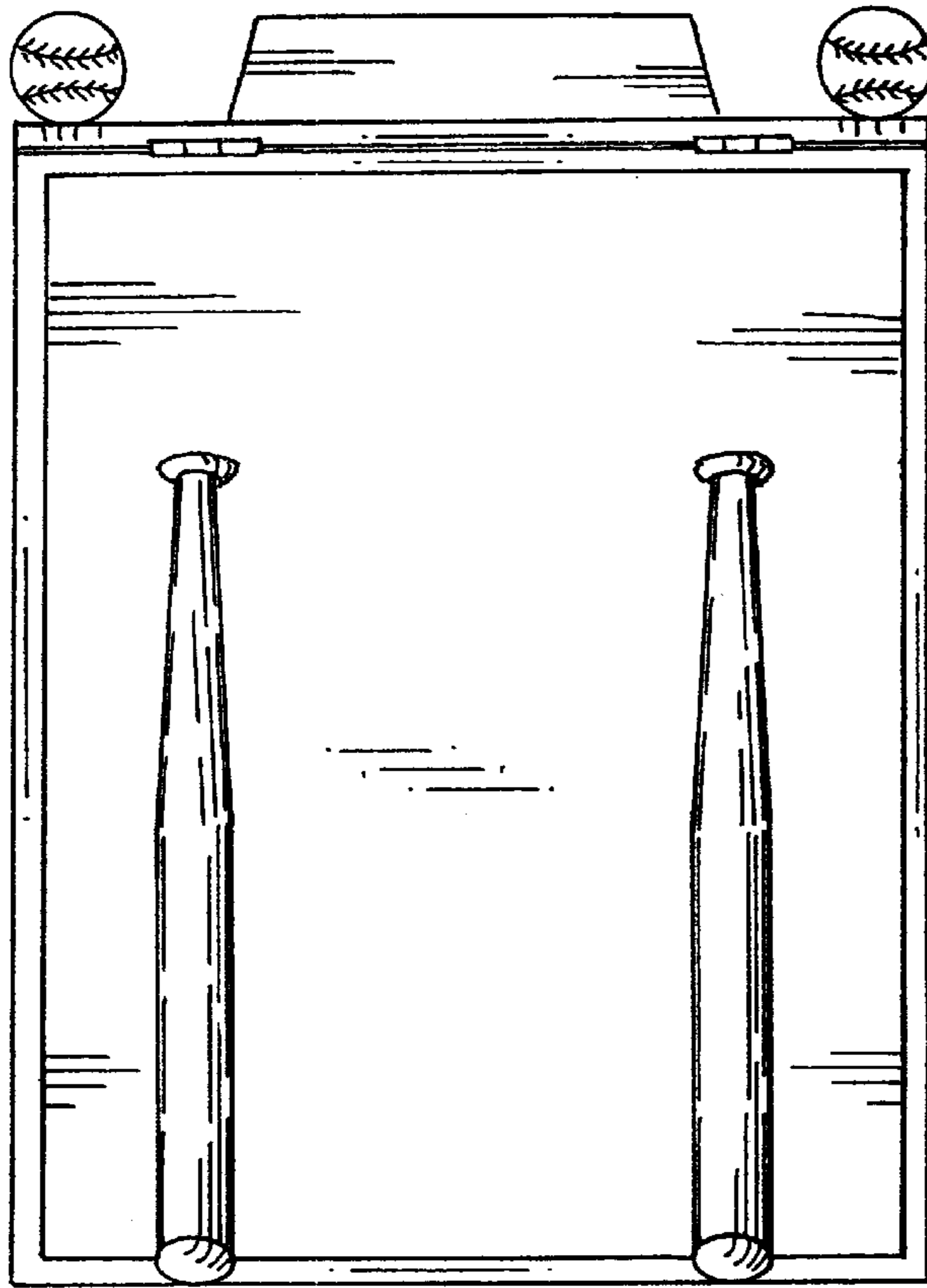


Fig. 5

Fig. 6

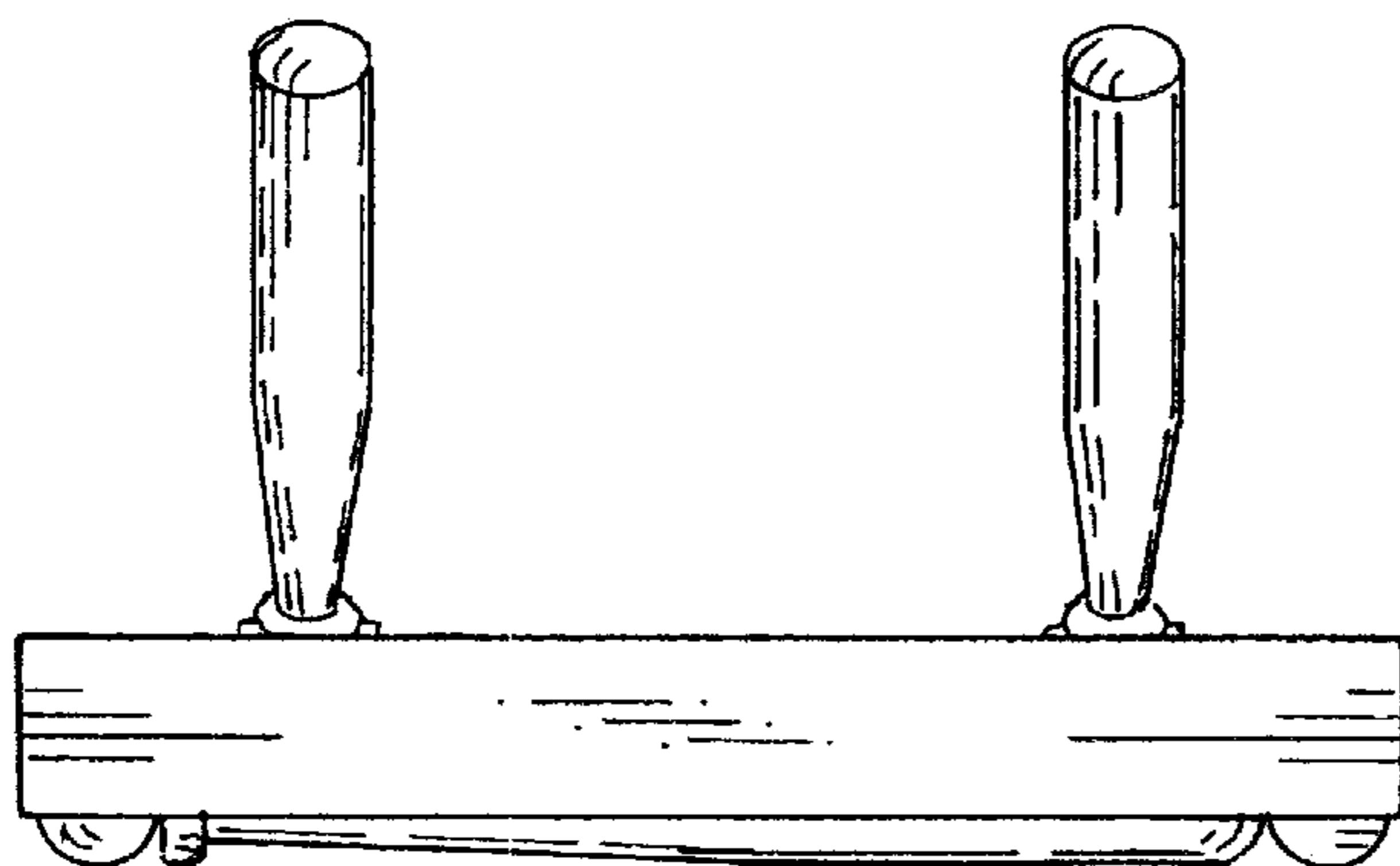
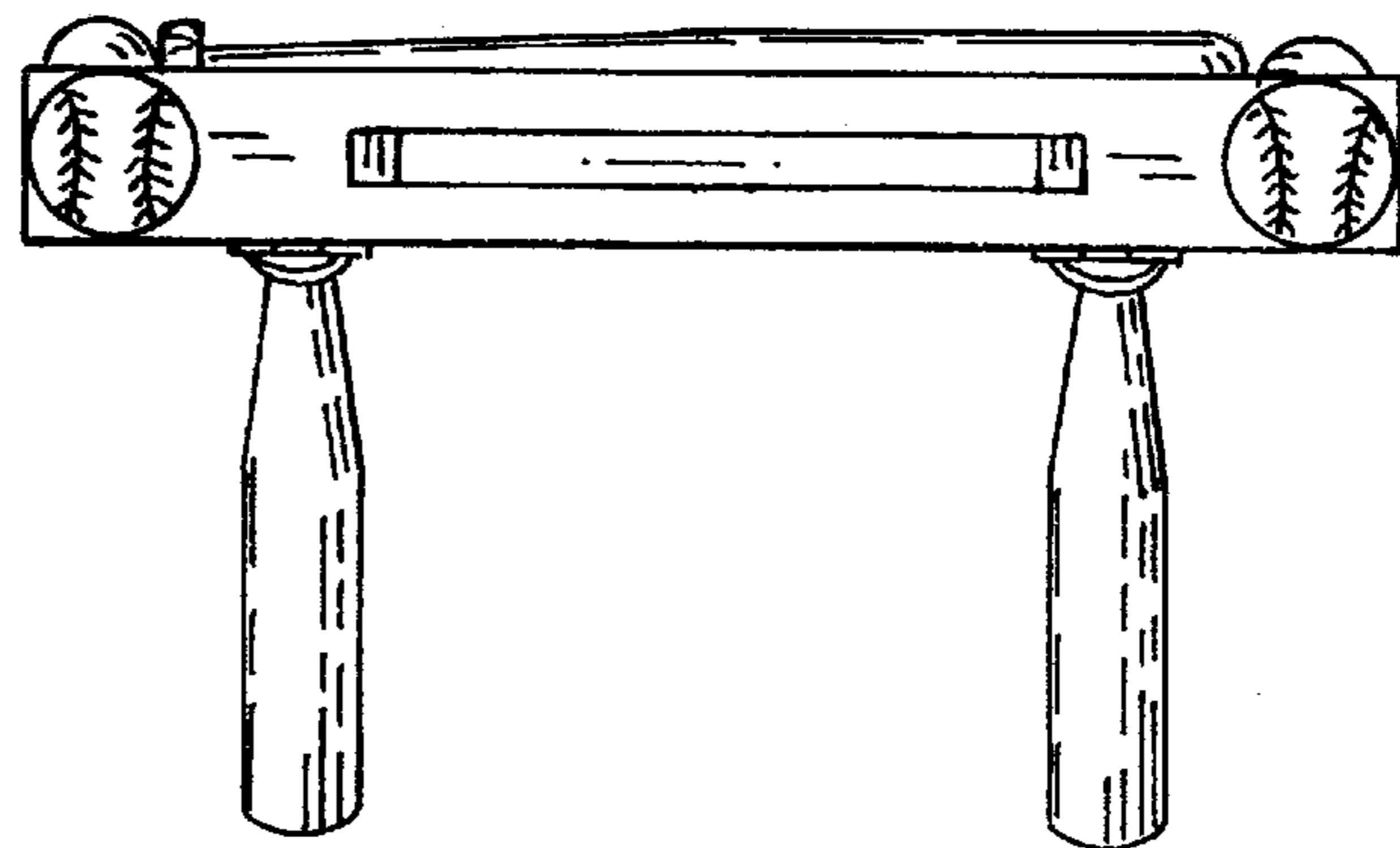


Fig. 7