



US00D531820S

(12) **United States Design Patent**  
**Rowan**

(10) **Patent No.:** **US D531,820 S**

(45) **Date of Patent:** **\*\* Nov. 14, 2006**

(54) **PICTURE FRAME WITH LATTICE**

(75) Inventor: **Paul Rowan**, Toronto (CA)

(73) Assignee: **Umbra Inc.**, Buffalo, NY (US)

(\*\*) Term: **14 Years**

(21) Appl. No.: **29/245,688**

(22) Filed: **Dec. 28, 2005**

(51) **LOC (8) Cl.** ..... **06-07**

(52) **U.S. Cl.** ..... **D6/302**

(58) **Field of Classification Search** ..... D6/300-314,  
D6/444; 40/700, 711, 720, 721-725, 732,  
40/734, 790, 714, 715, 735, 737-739, 798,  
40/800

See application file for complete search history.

(56) **References Cited**

**U.S. PATENT DOCUMENTS**

D5,050 S	6/1871	Rice	
D9,732 S	2/1877	Gray	
D112,409 S	* 11/1938	Golden	D6/311
D115,622 S	7/1939	Jewett	
D136,347 S	9/1943	Schenker	
2,538,386 A	1/1951	Schneider	
D200,159 S	1/1965	Mueller	
D230,238 S	2/1974	Coda	
D248,356 S	7/1978	Tougas et al.	
D334,478 S	4/1993	Rogers	
D339,921 S	* 10/1993	Nourse	D6/300
D345,379 S	3/1994	Chan	
D353,716 S	* 12/1994	Schur	D6/301
D362,122 S	9/1995	Kong	
D369,679 S	5/1996	Langford	
D370,353 S	6/1996	Valls et al.	
D377,583 S	* 1/1997	Burke, Jr.	D7/553.3
D394,556 S	5/1998	Ricci	
6,108,958 A	8/2000	Kofoed	
D471,366 S	* 3/2003	Park	D6/310
D491,731 S	6/2004	Harwanko	
D509,368 S	* 9/2005	Tishler	D6/302

2003/0121195 A1 7/2003 Moon  
2004/0216345 A1 11/2004 Wadusky

\* cited by examiner

*Primary Examiner*—Janice E. Seeger  
*Assistant Examiner*—Sydney R. Buffalow

(74) *Attorney, Agent, or Firm*—Simpson & Simpson, PLLC

(57) **CLAIM**

The ornamental design for a picture frame with lattice, as shown and described.

**DESCRIPTION**

FIG. 1 is a front perspective view of the picture frame with lattice.

FIG. 2 is a front view of my invention.

FIG. 3 is a back view of my invention.

FIG. 4 is a top view of my invention.

FIG. 5 is a bottom view of my invention.

FIG. 6 is a left side view of my invention.

FIG. 7 is a right side view of my invention.

FIG. 8 is a front perspective view of a second embodiment of the frame design of my invention.

FIG. 9 is a front view of a second embodiment of the frame design of my invention.

FIG. 10 is a rear view of a second embodiment of the frame design of my invention.

FIG. 11 is a top view of a second embodiment of the frame design of my invention.

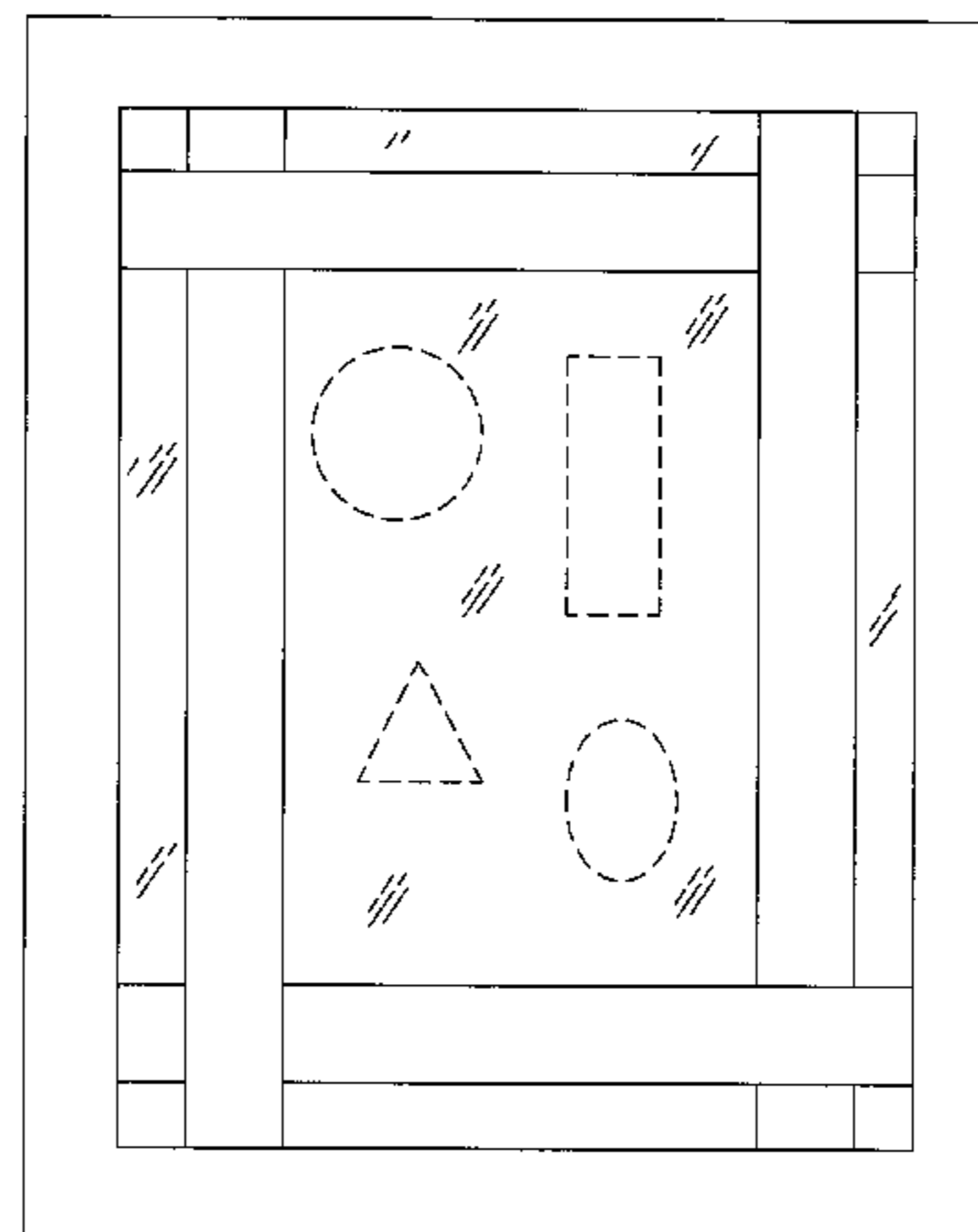
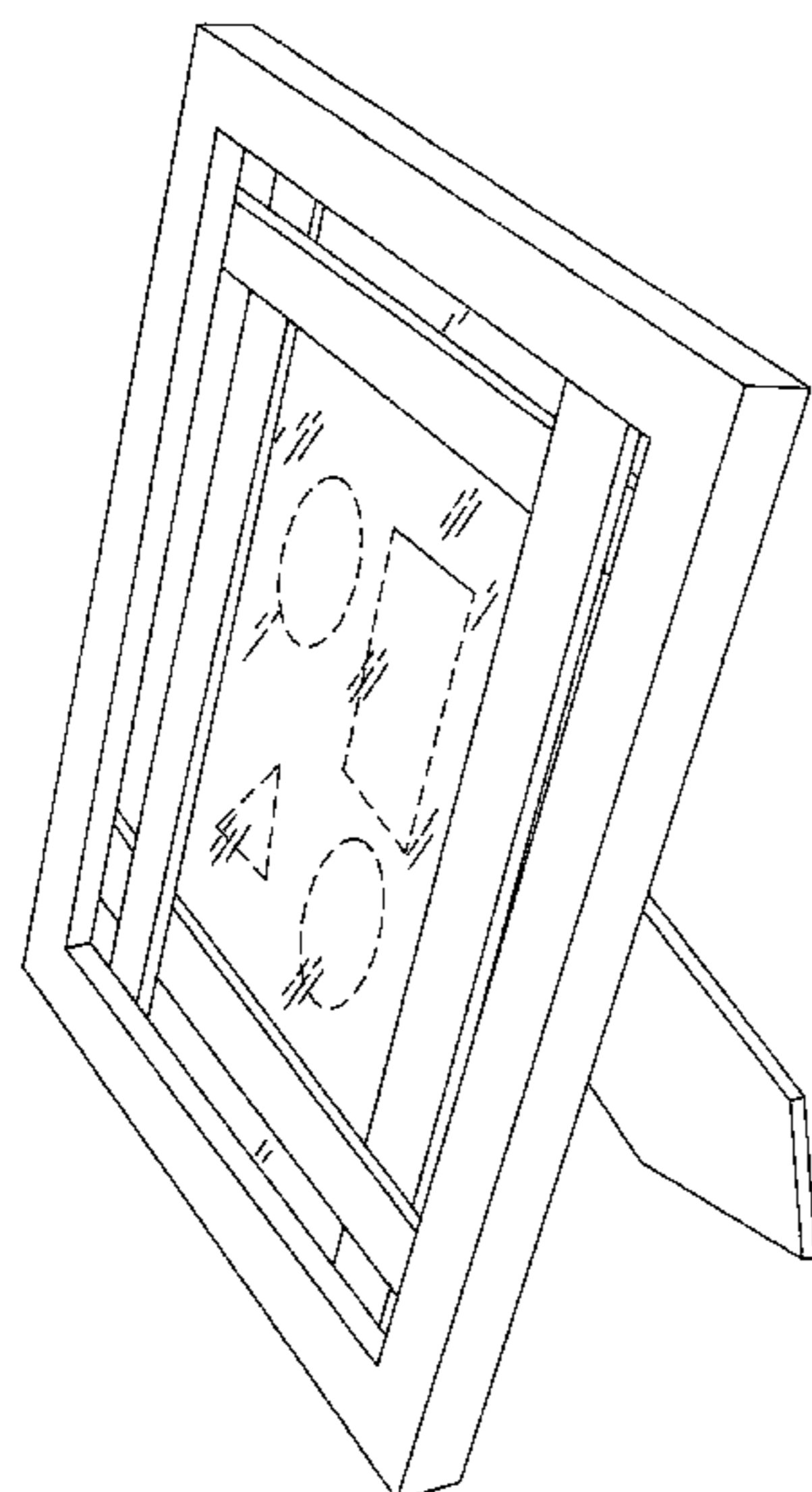
FIG. 12 is a bottom view of a second embodiment of the frame design of my invention.

FIG. 13 is a left side view of a second embodiment of the frame design of my invention; and,

FIG. 14 is a right side view of a second embodiment of the frame design of my invention.

In the front perspective view of FIGS. 1 and 8 front view of FIGS. 2 and 9, the lattice network is before the transparent facing. In the rear view of FIGS. 3 and 10, the lattice network is behind the transparent facing.

**1 Claim, 10 Drawing Sheets**



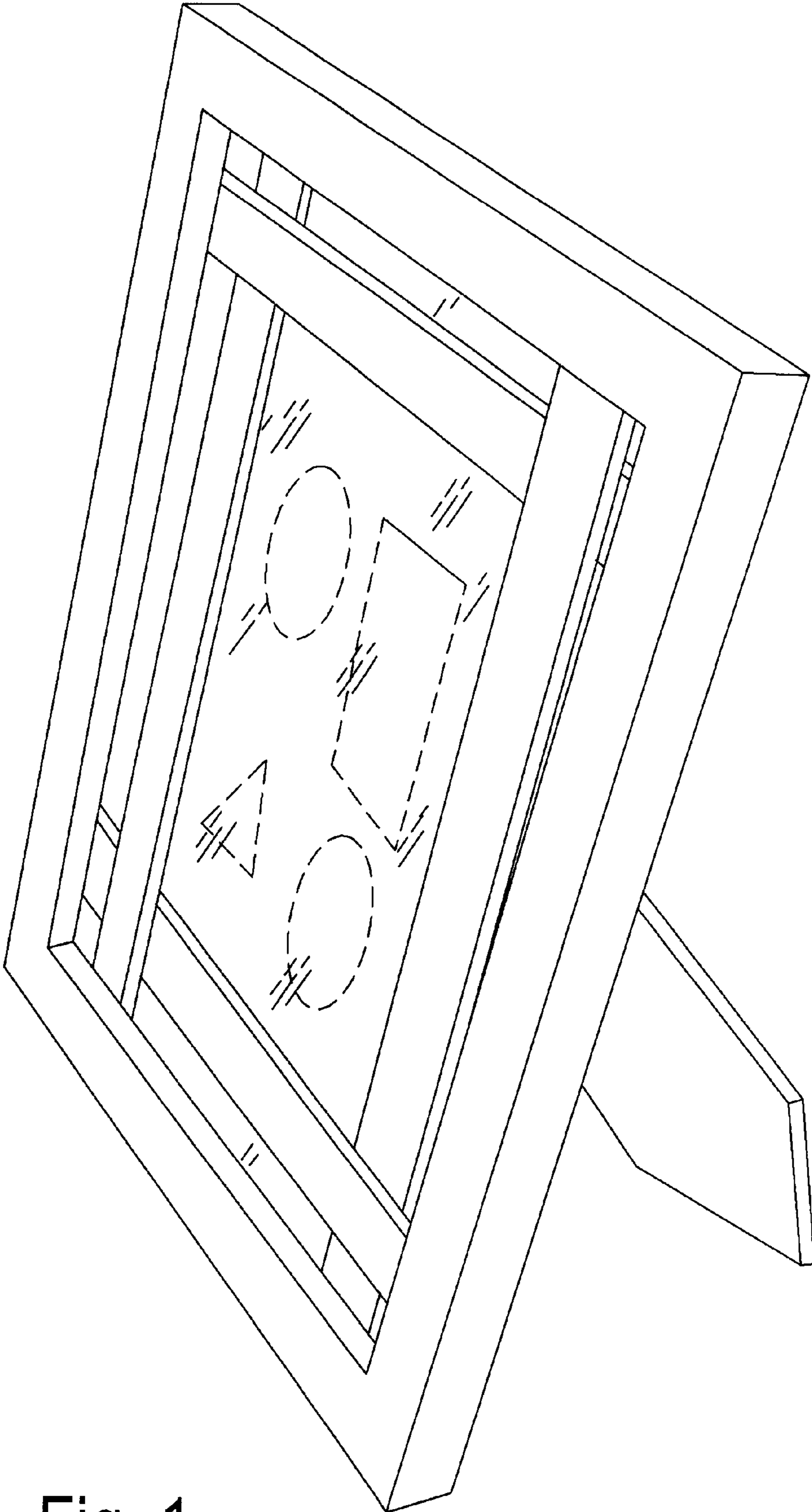


Fig. 1

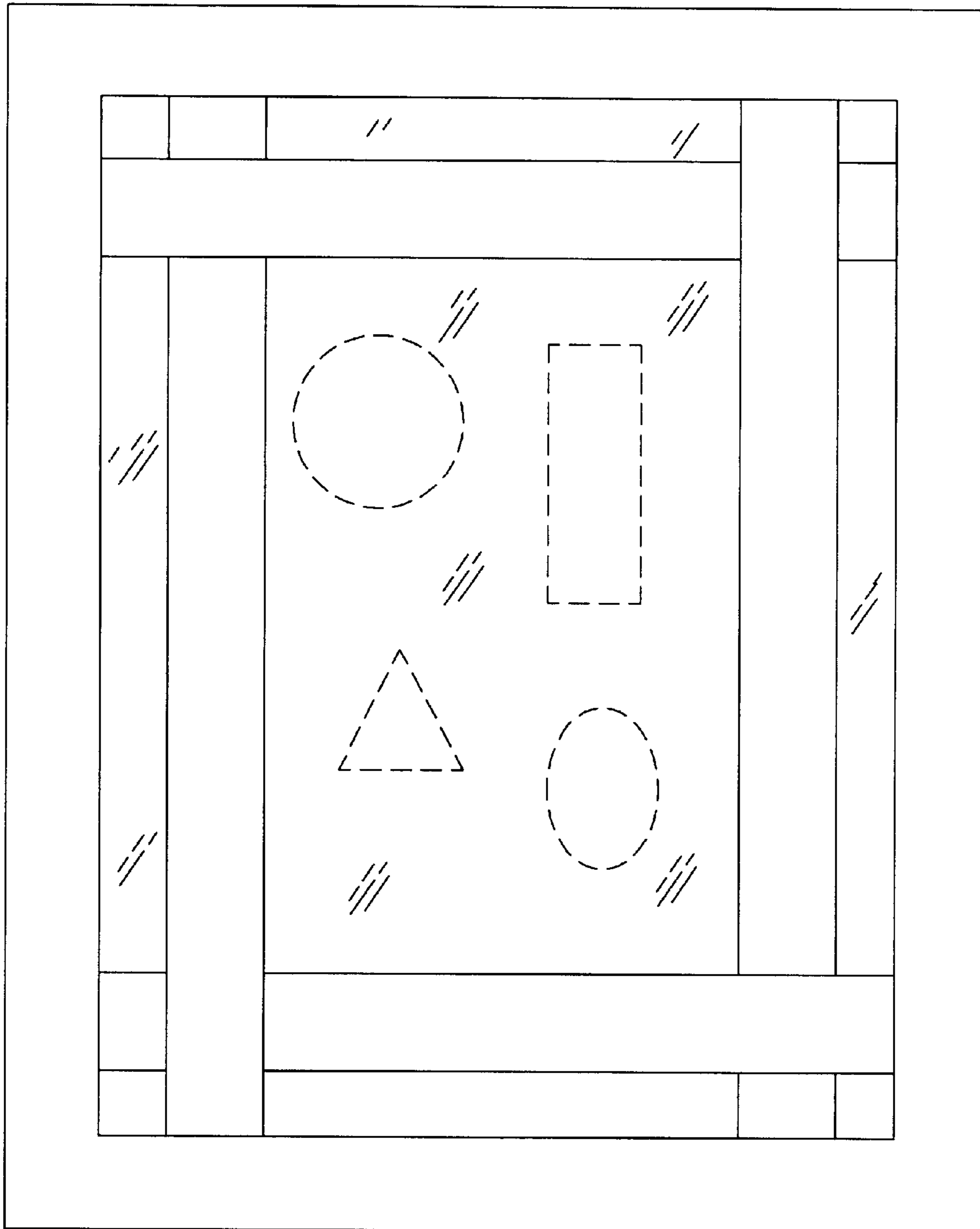


Fig. 2

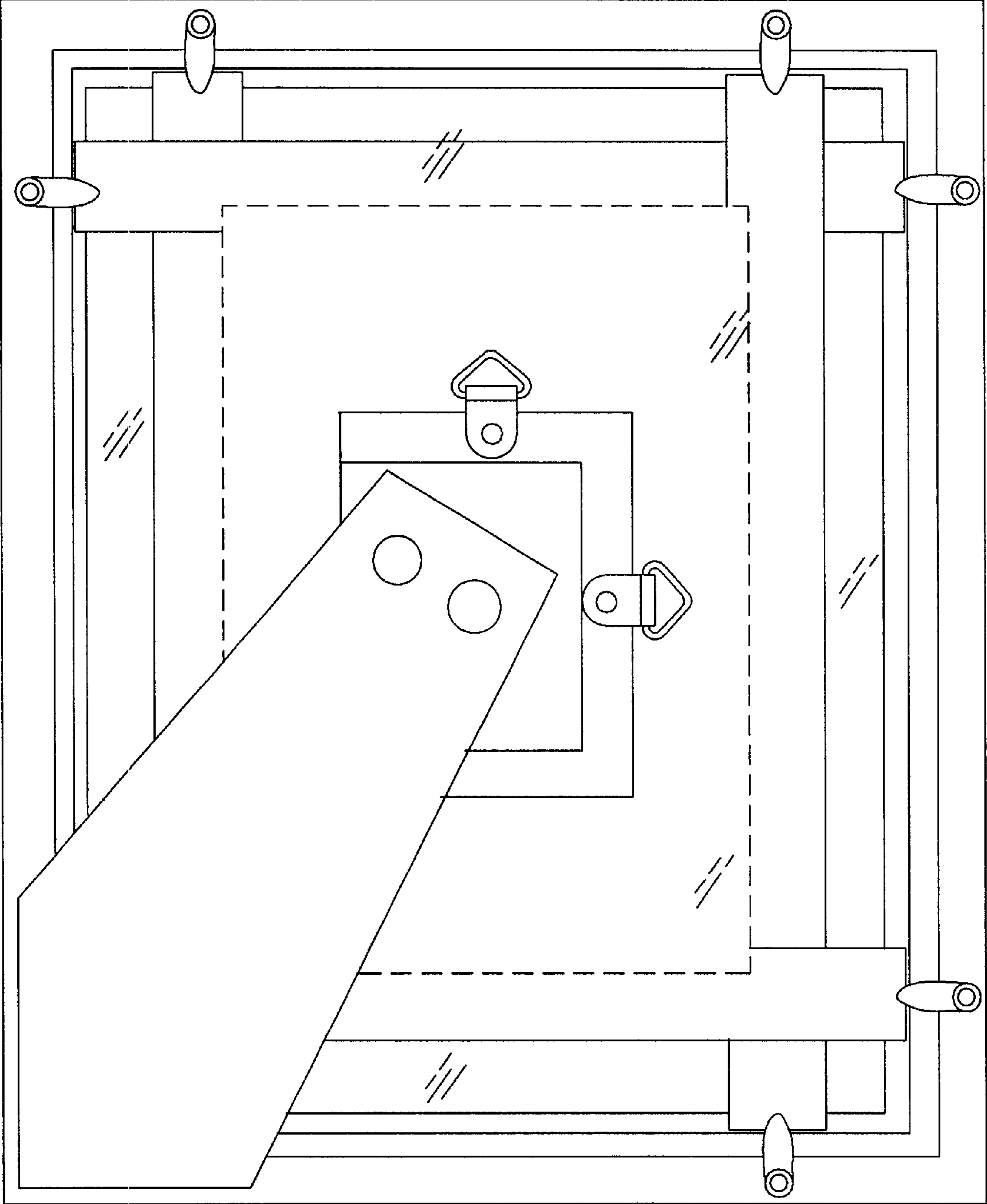


Fig. 3

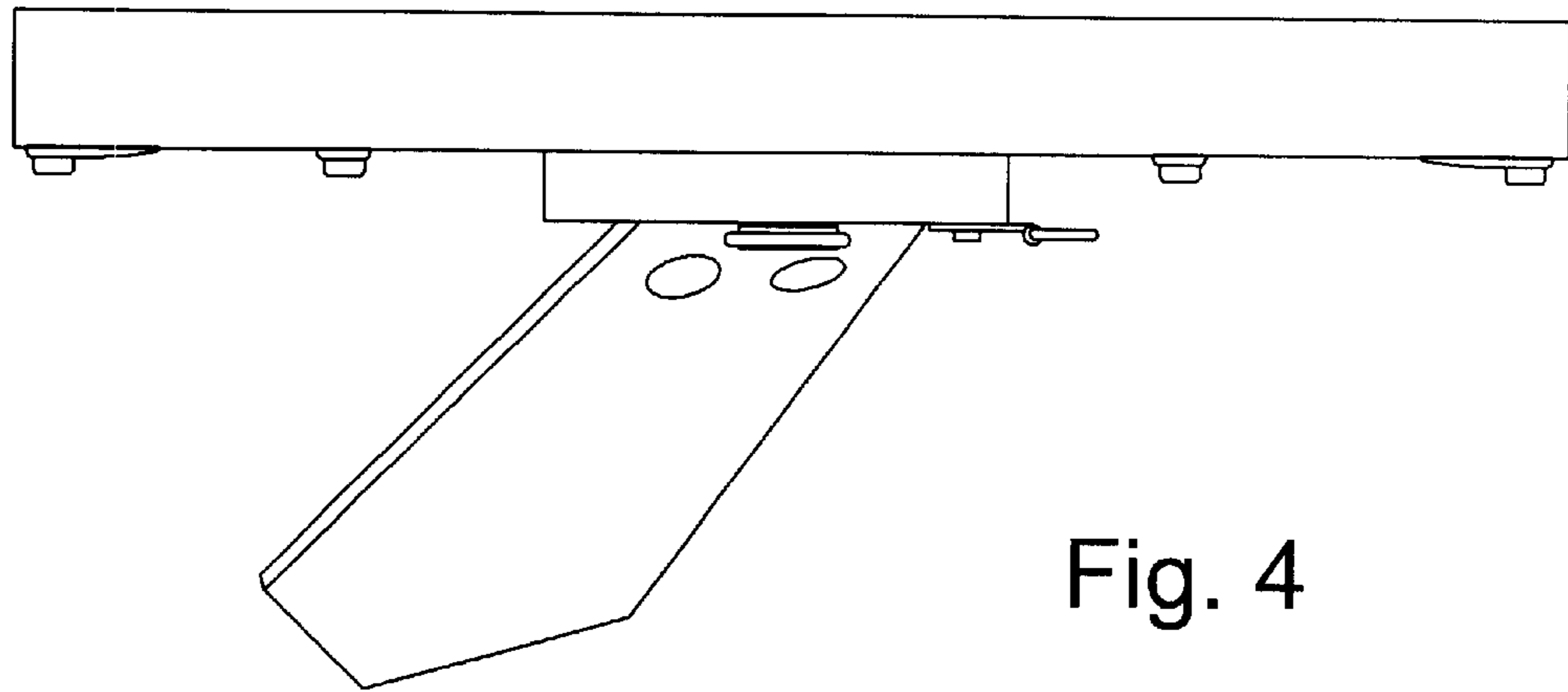


Fig. 4

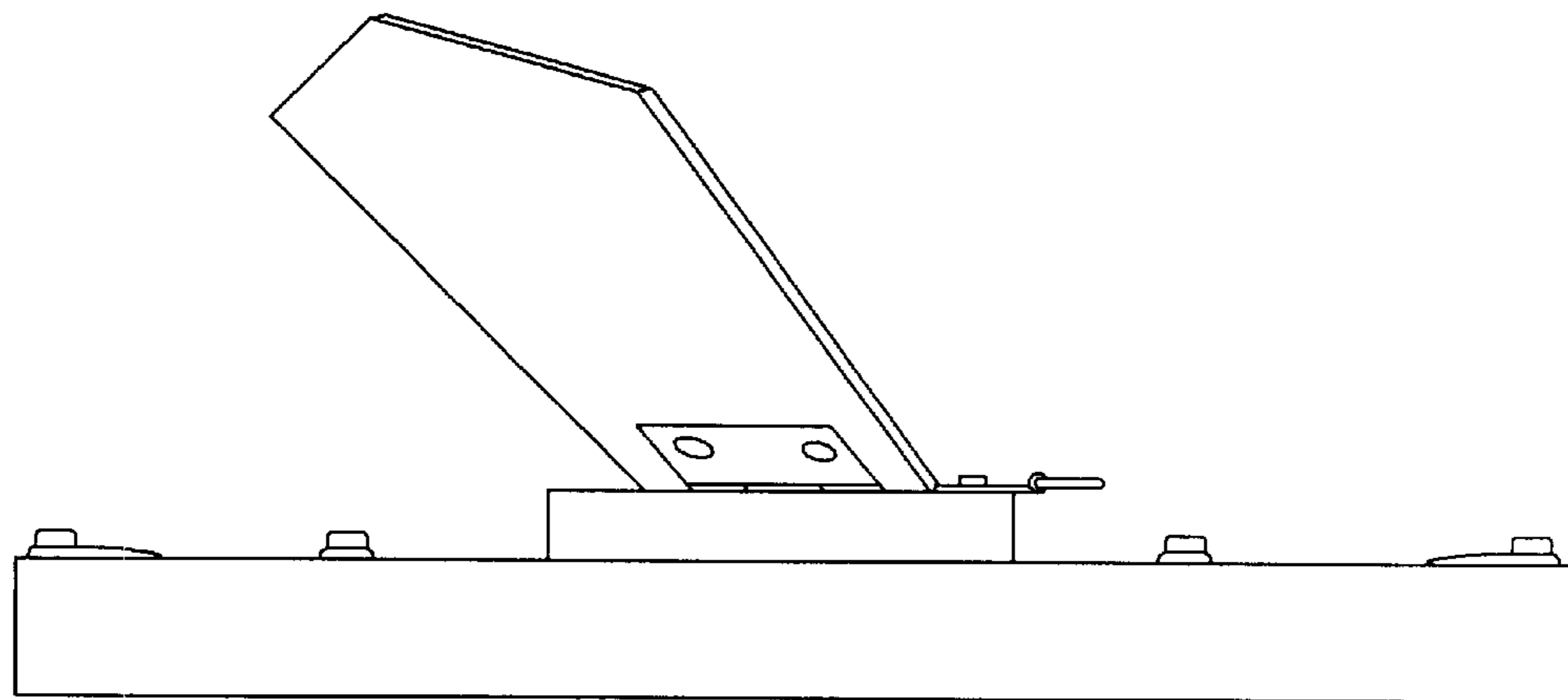


Fig. 5

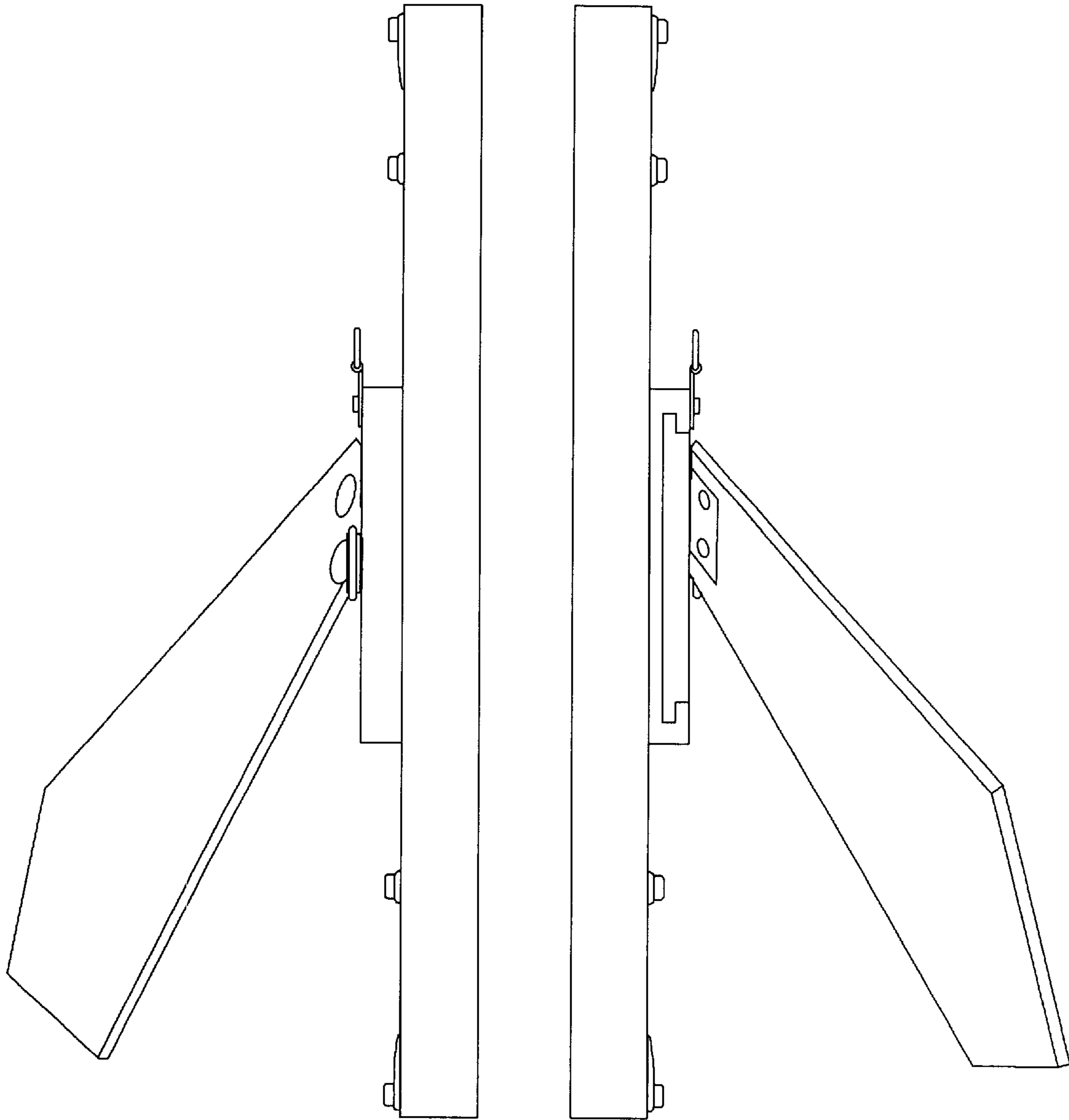


Fig. 6

Fig. 7



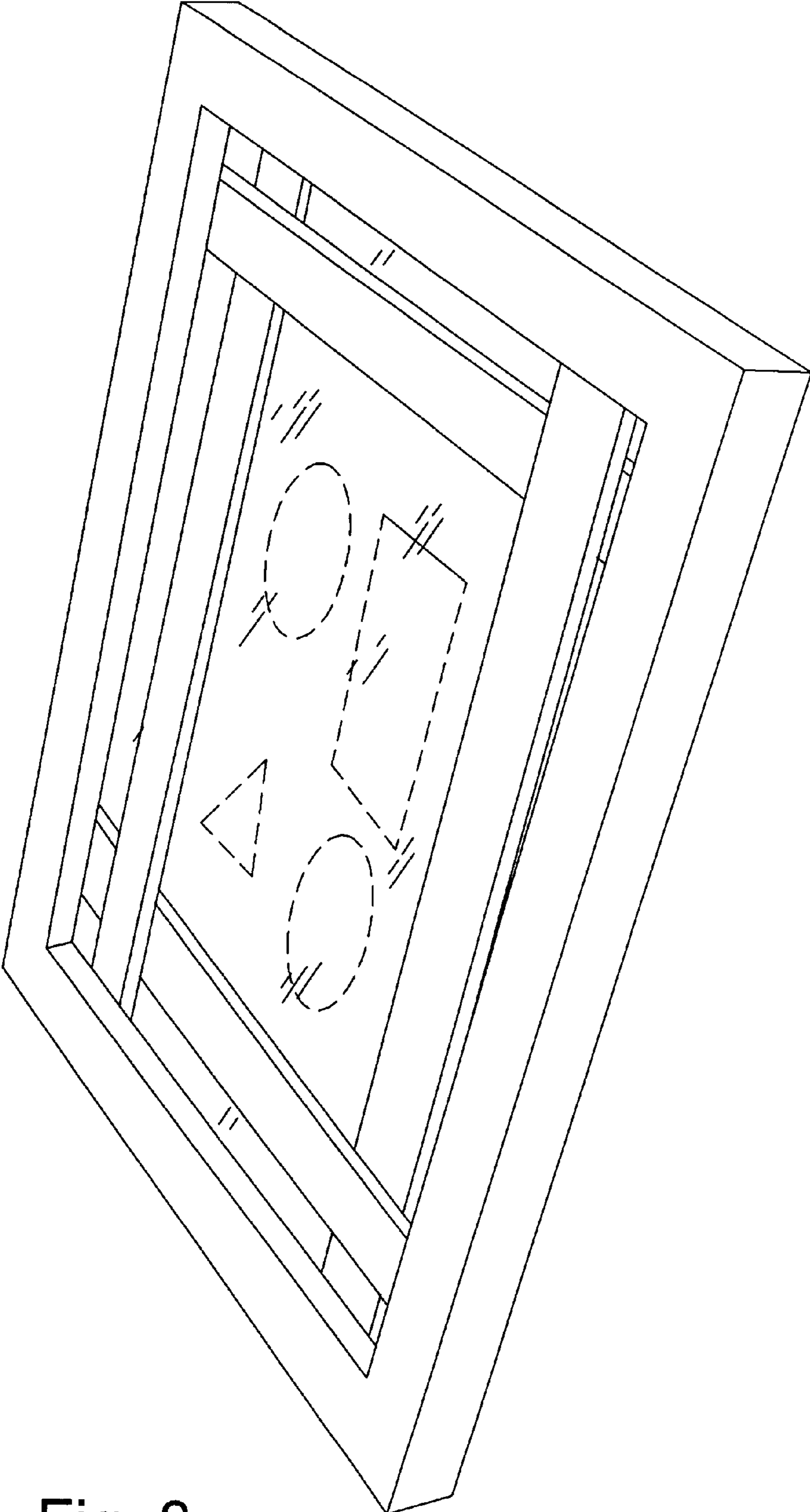


Fig. 8

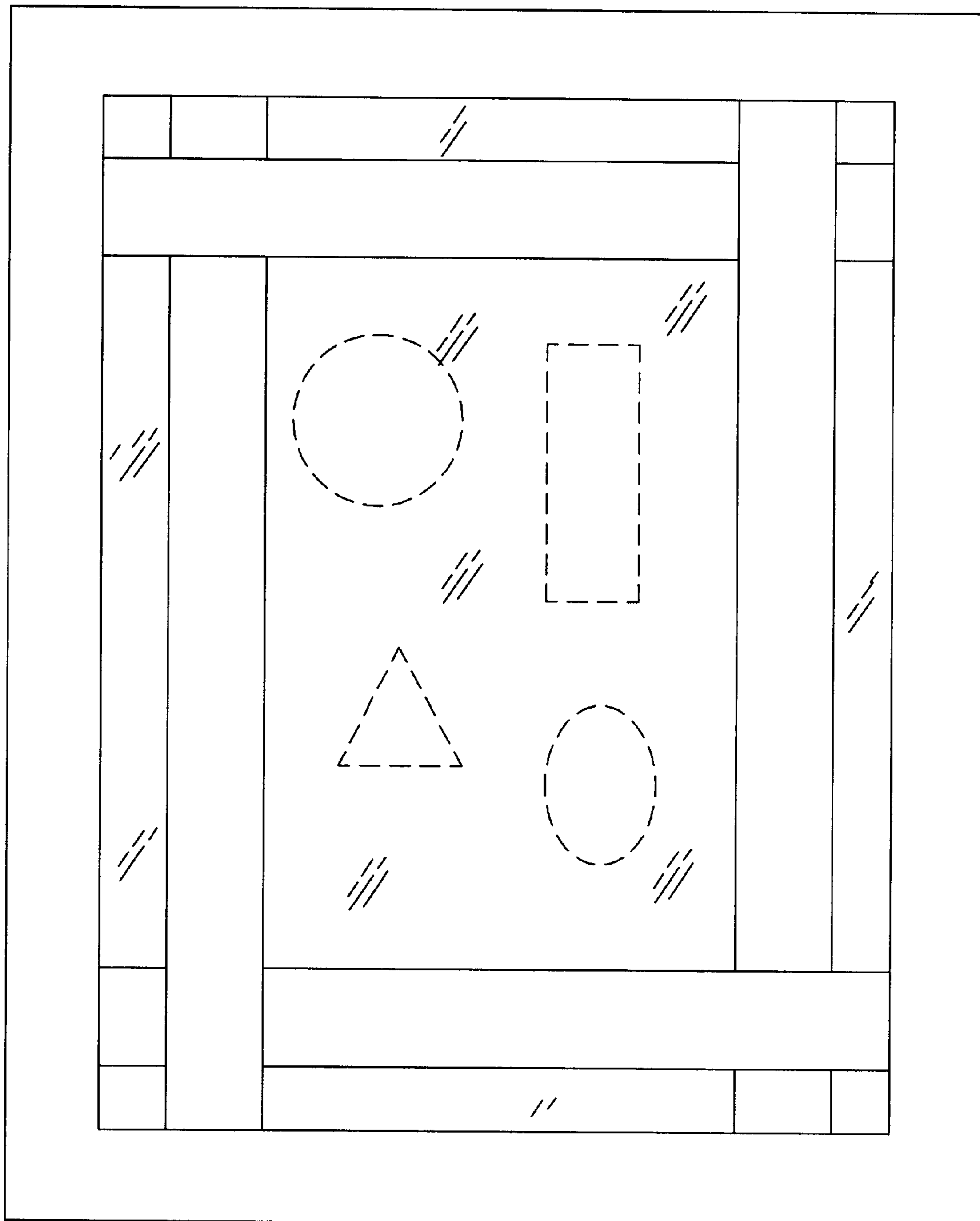


Fig. 9



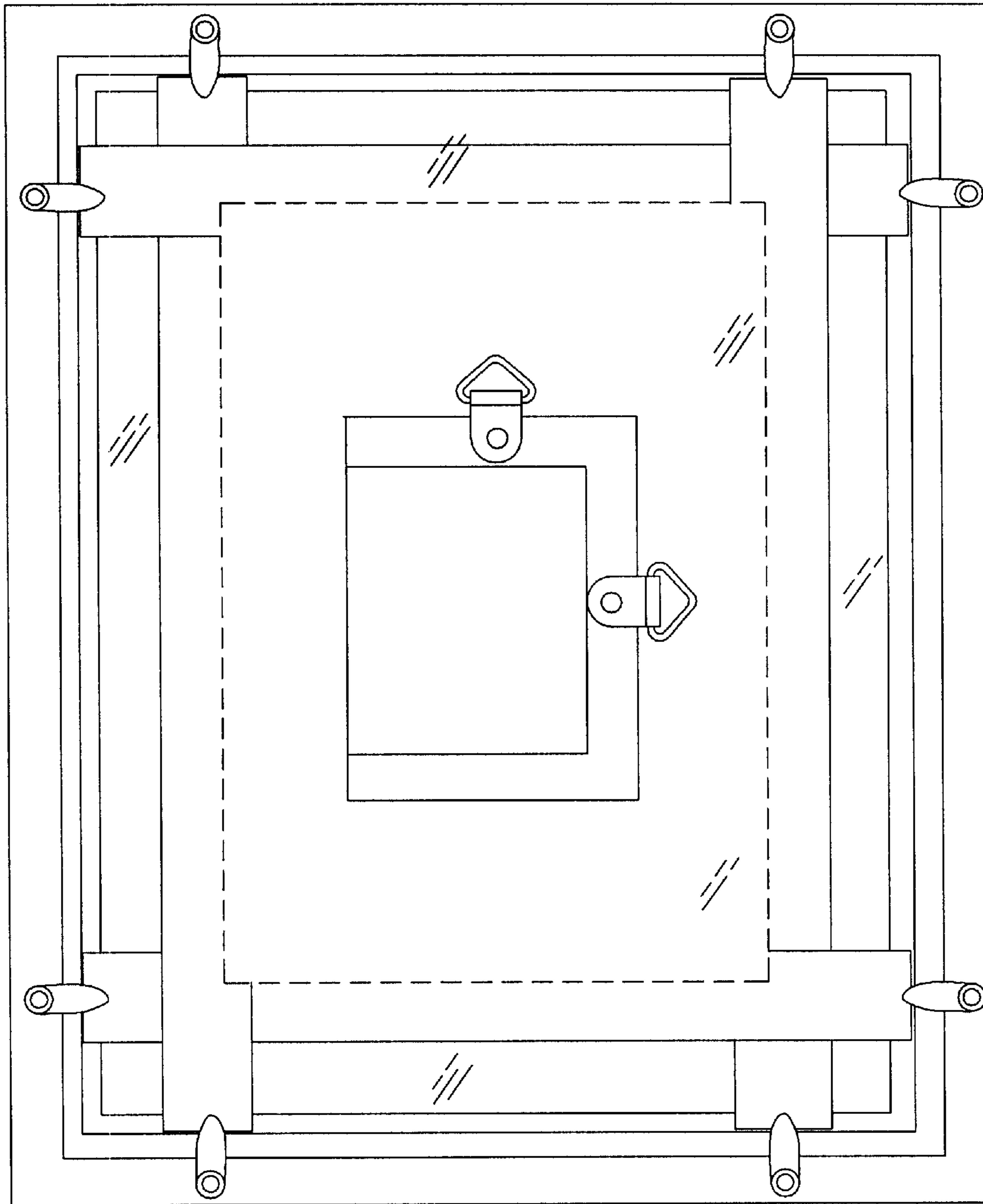


Fig. 10

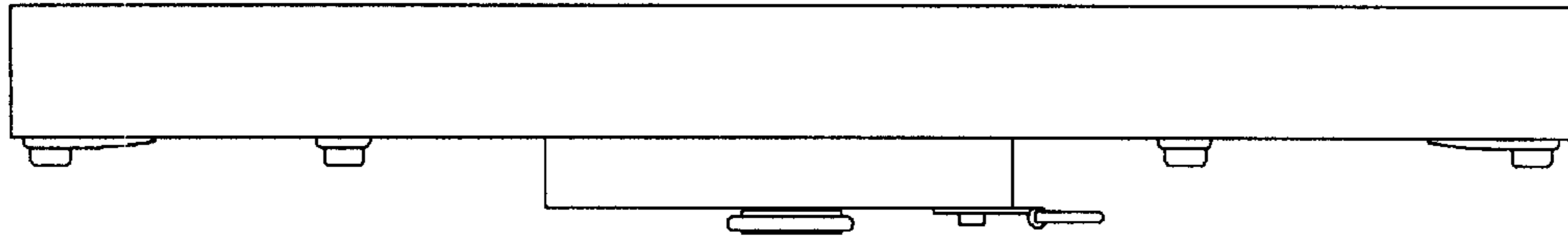


Fig. 11

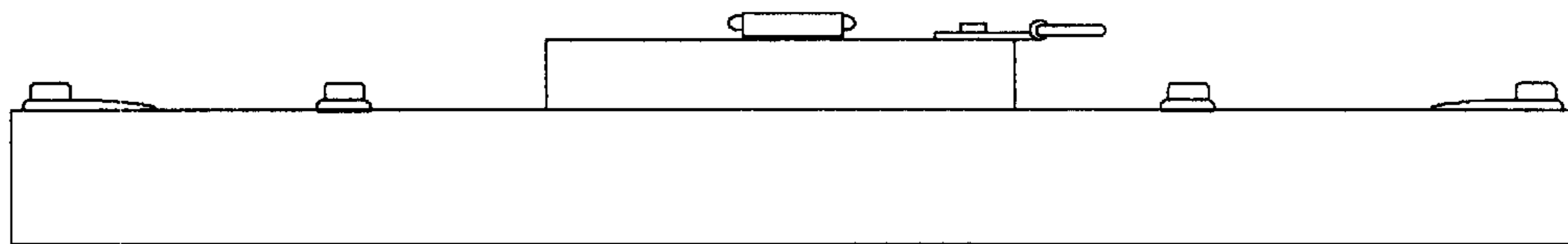


Fig. 12

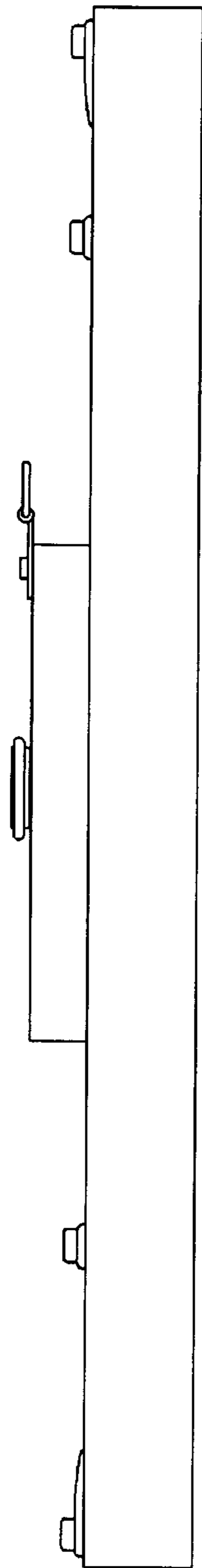


Fig. 13

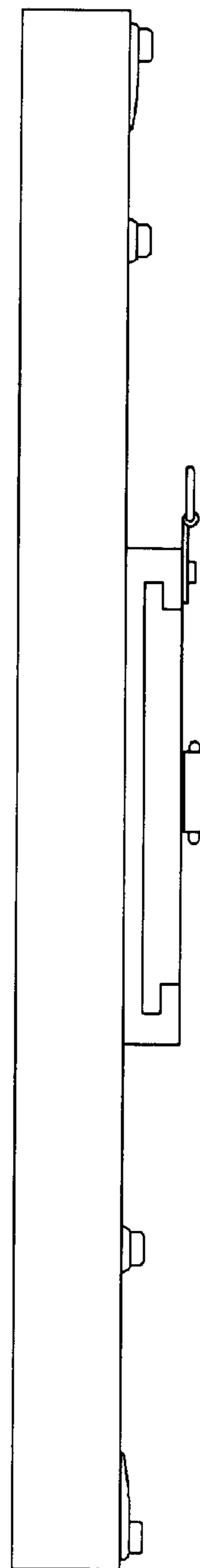


Fig. 14