



US00D531815S

(12) **United States Design Patent**
Treacy

(10) **Patent No.:** **US D531,815 S**

(45) **Date of Patent:** **** Nov. 14, 2006**

(54) **LINT ROLLER HANDLE**

D463,714 S * 10/2002 Munari D7/395
D467,736 S * 12/2002 Russell D4/122
D483,570 S * 12/2003 Heidel et al. D4/122

(75) Inventor: **Terrence Treacy**, Mansfield, TX (US)

(73) Assignee: **TxF Products, Inc.**, Arlington, TX (US)

(**) Term: **14 Years**

* cited by examiner

Primary Examiner—Ian Simmons

Assistant Examiner—Lavone D. Tabor

(74) *Attorney, Agent, or Firm*—Haynes and Boone, LLP

(21) Appl. No.: **29/236,851**

(57) **CLAIM**

(22) Filed: **Aug. 23, 2005**

The ornamental design for a lint roller handle, as shown and described.

(51) **LOC (8) Cl.** **04-01**

(52) **U.S. Cl.** **D4/138; D4/122**

(58) **Field of Classification Search** D4/122,
D4/123, 132–138; D7/393, 395, 401.2; D8/10,
D8/11, 80, 83, 94, 107, 307, 308; 15/27,
15/104.002, 143.1, 230.11; 16/110.1, 430,
16/431; 81/177.1, 489

See application file for complete search history.

DESCRIPTION

FIG. 1 is a perspective view of a lint roller handle showing our design;

FIG. 2 is a top view thereof;

FIG. 3 is a side view thereof;

FIG. 4 is a front view thereof; and,

FIG. 5 is a rear view thereof.

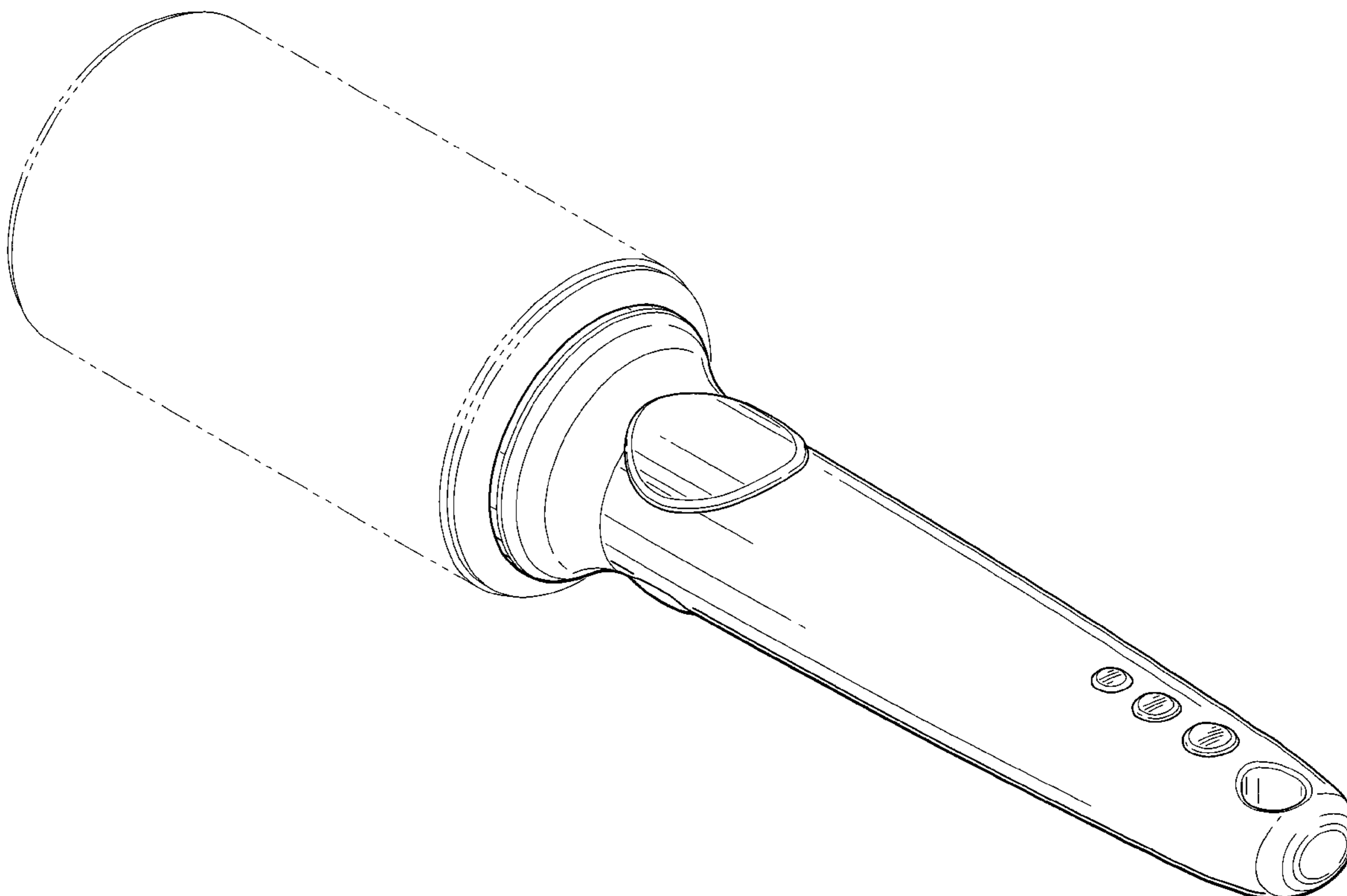
The broken lines showing a roller head in FIGS. 1 and 4 are for illustrative purposes only and form no part of the claimed design.

(56) **References Cited**

U.S. PATENT DOCUMENTS

D218,060 S * 7/1970 Gruska D7/395
D406,465 S * 3/1999 Barton et al. D4/138

1 Claim, 3 Drawing Sheets



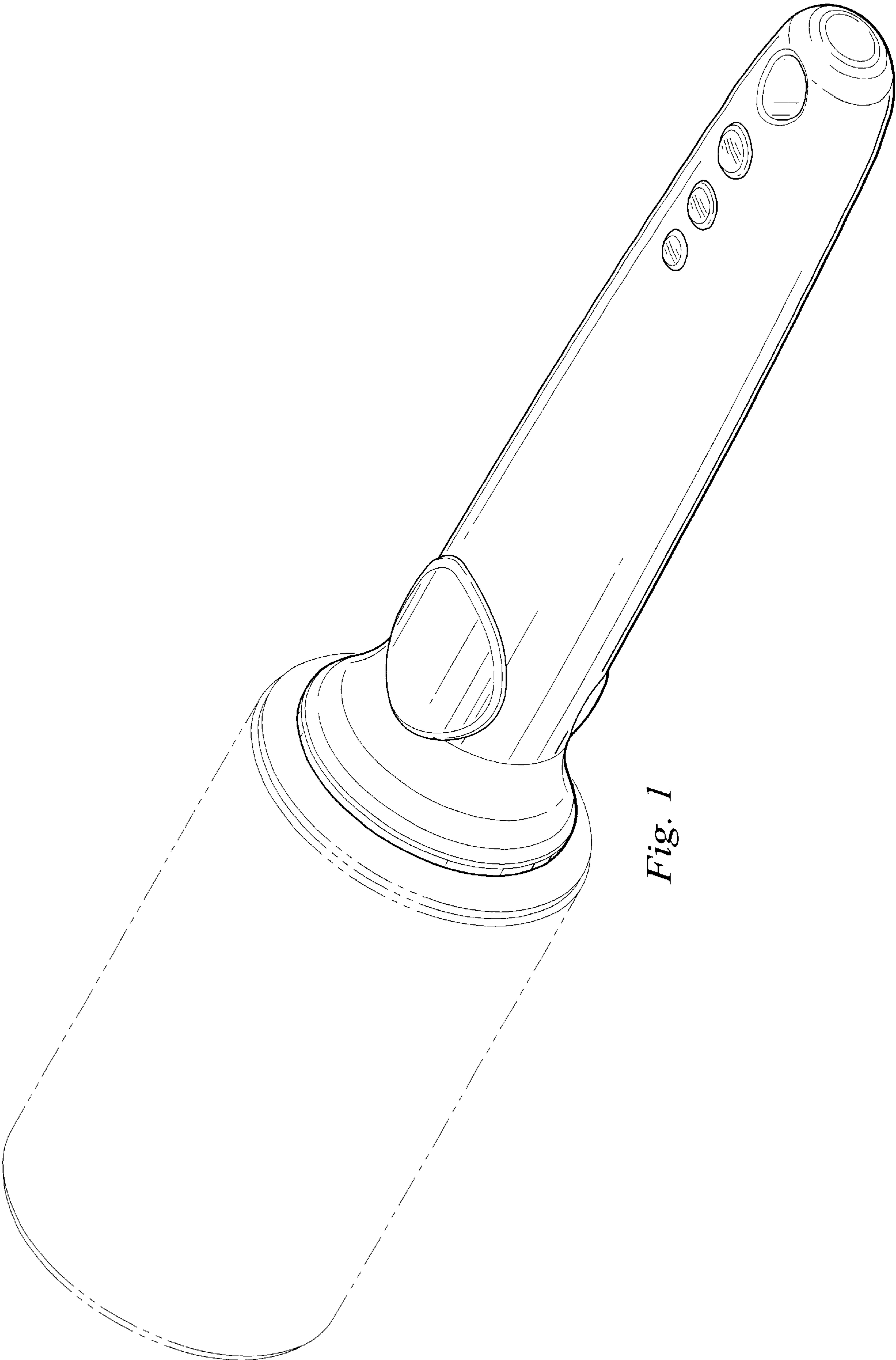


Fig. 1

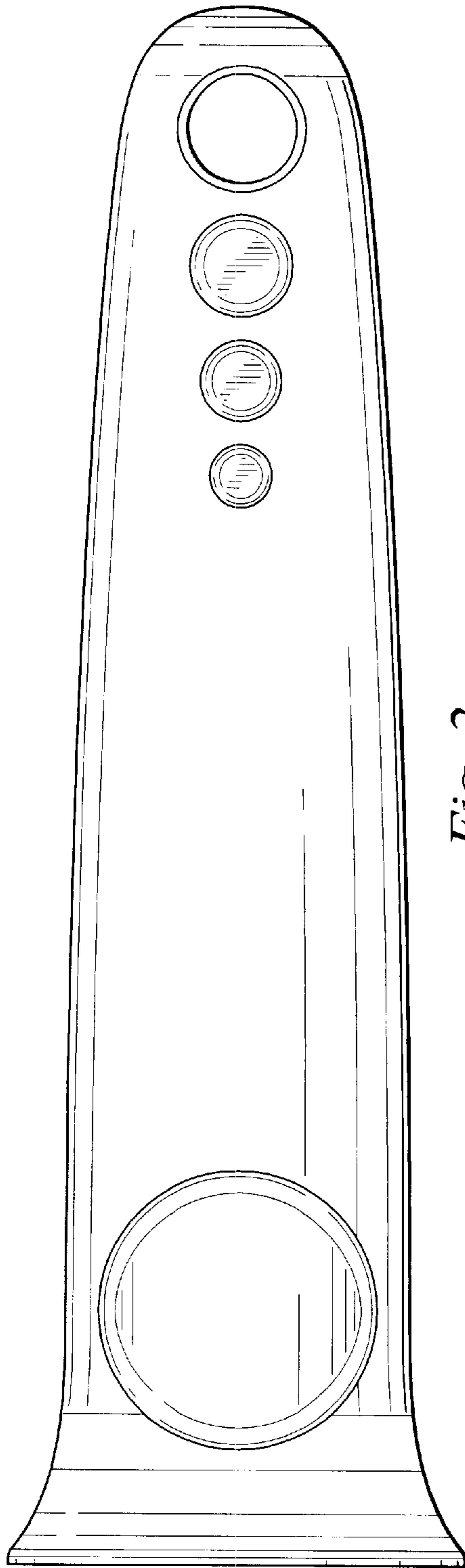


Fig. 2

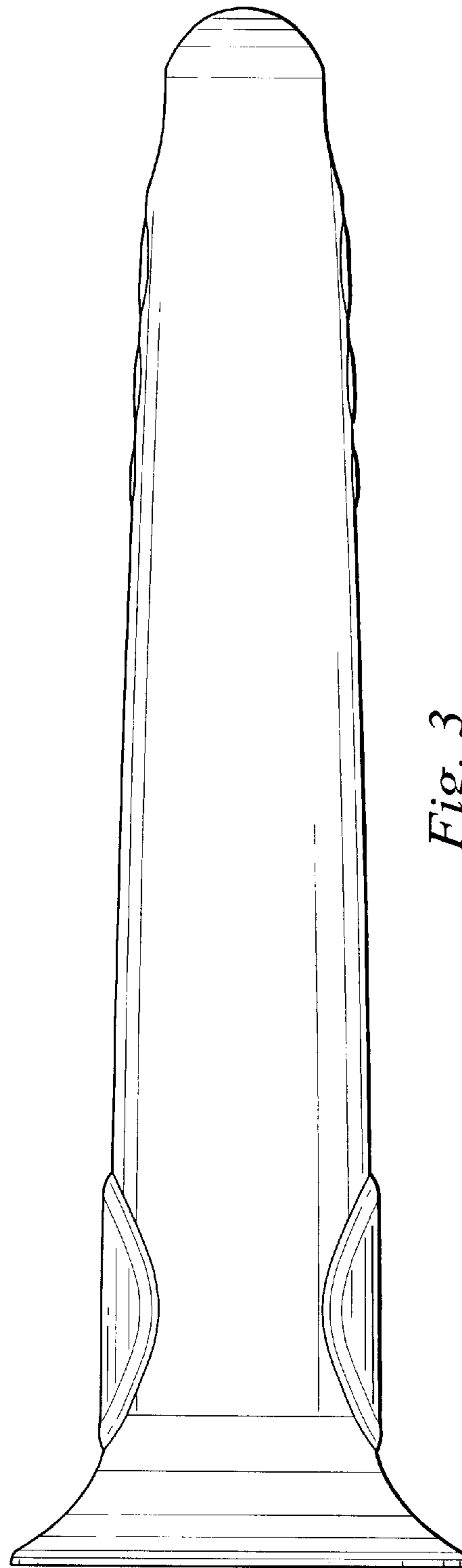


Fig. 3

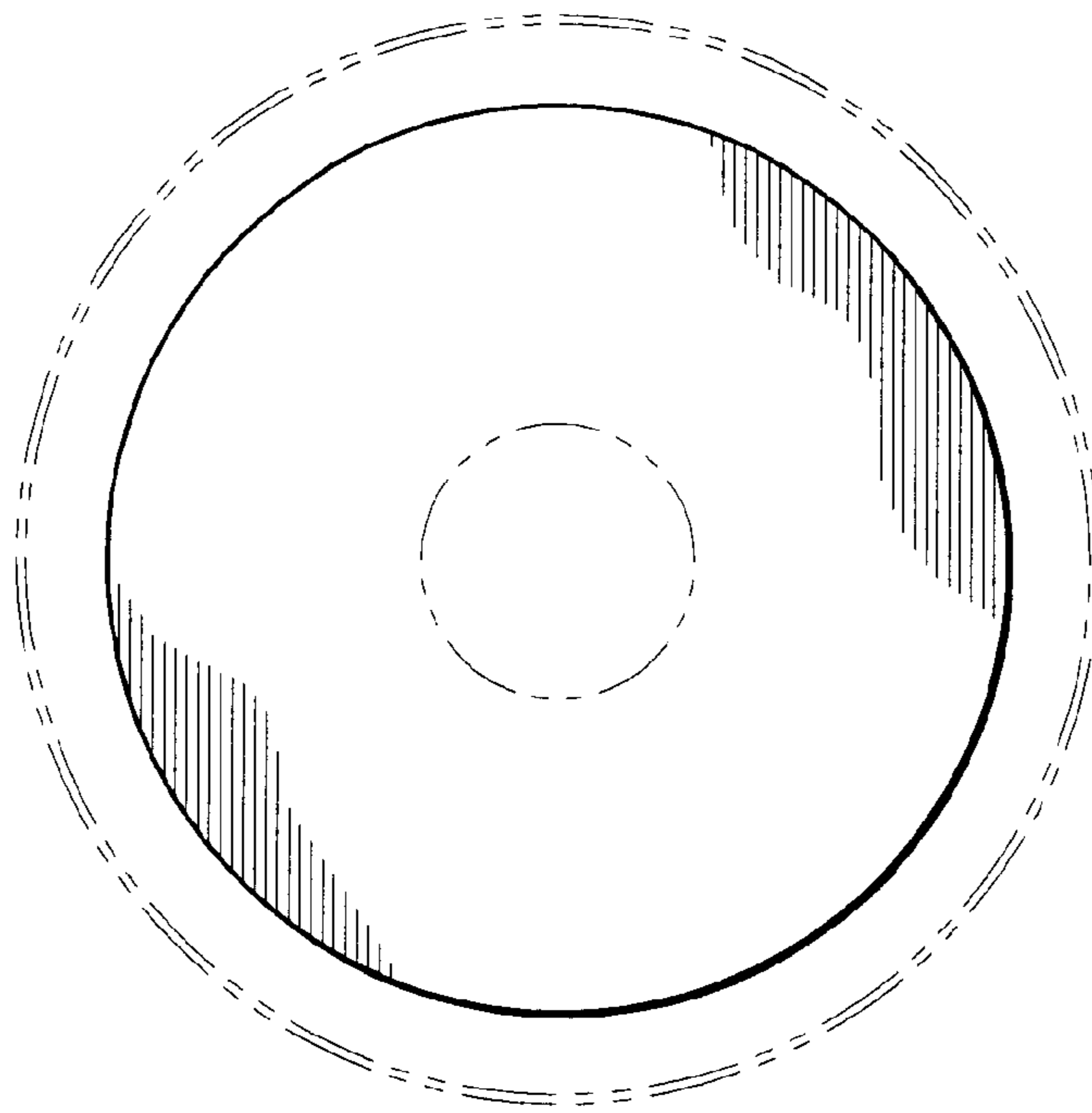


Fig. 4

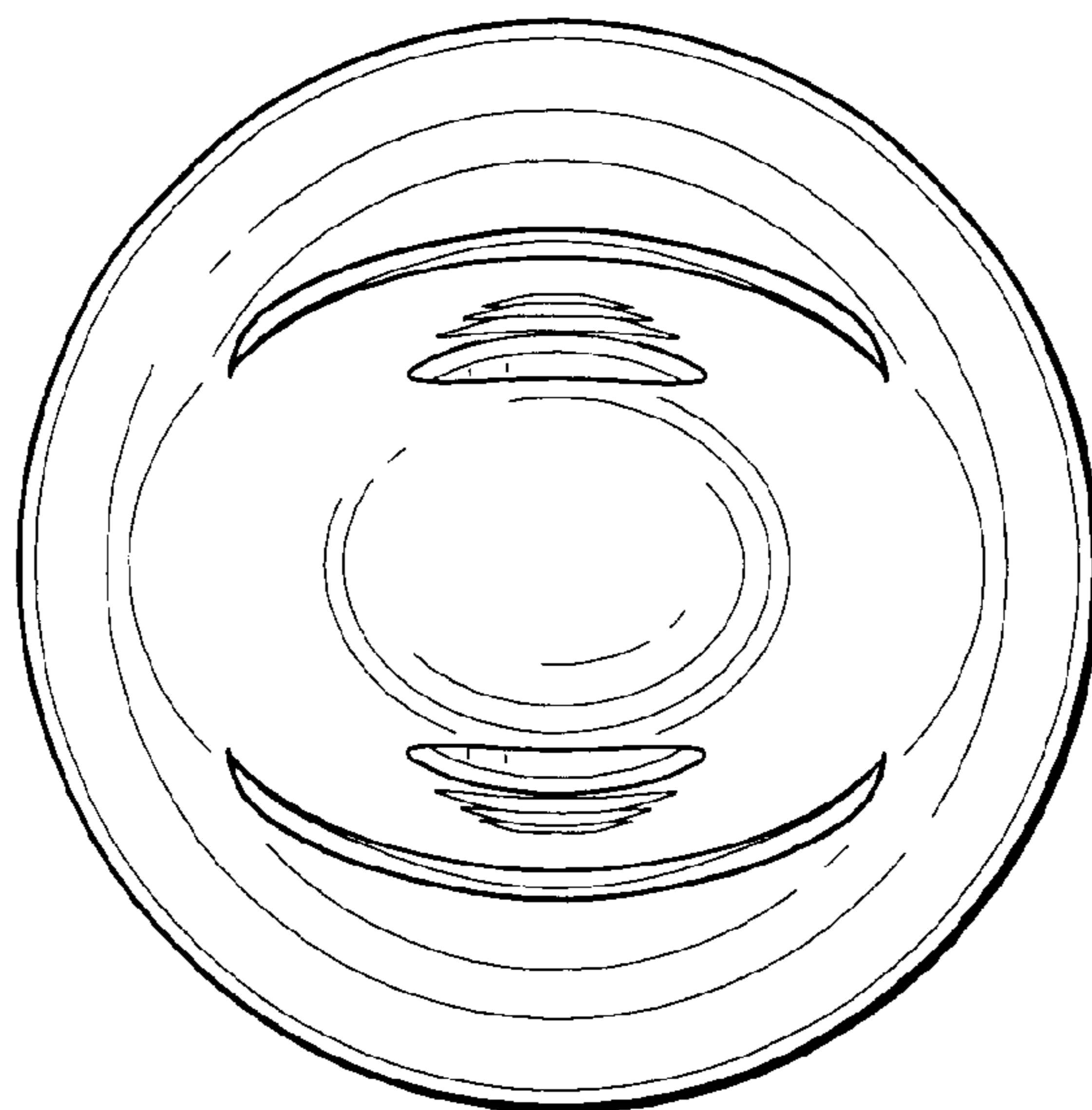


Fig. 5