



US00D531814S

(12) **United States Design Patent**  
**Treacy**

(10) **Patent No.:** **US D531,814 S**

(45) **Date of Patent:** **\*\* Nov. 14, 2006**

(54) **LINT ROLLER HANDLE**

(75) **Inventor:** **Terrence Treacy**, Mansfield, TX (US)

(73) **Assignee:** **TxF Products, Inc.**, Arlington, TX (US)

(\*\*) **Term:** **14 Years**

(21) **Appl. No.:** **29/236,850**

(22) **Filed:** **Aug. 23, 2005**

(51) **LOC (8) Cl.** ..... **04-01**

(52) **U.S. Cl.** ..... **D4/138; D4/122**

(58) **Field of Classification Search** ..... D4/122,  
D4/123, 132-138; D7/393, 395, 401.2; D8/10,  
D8/11, 80, 83, 94, 107, 307, 308; 15/27,  
15/104.002, 143.1, 230.11; 16/110.1, 430,  
16/431; 81/177.1, 489

See application file for complete search history.

(56) **References Cited**

**U.S. PATENT DOCUMENTS**

4,091,497 A \* 5/1978 Bade ..... 16/430  
5,816,337 A \* 10/1998 Kun-Chuan ..... 172/372  
5,878,457 A \* 3/1999 Cox et al. .... 15/104.002

6,308,761 B1 \* 10/2001 Latiri ..... 156/579  
D467,736 S \* 12/2002 Russell ..... D4/122  
D471,402 S \* 3/2003 Krizan et al. .... D7/401.2  
2003/0172498 A1 \* 9/2003 Polzin et al. .... 16/430

\* cited by examiner

*Primary Examiner*—Ian Simmons

*Assistant Examiner*—Lavone D. Tabor

(74) *Attorney, Agent, or Firm*—Haynes and Boone, LLP

(57) **CLAIM**

The ornamental design for a lint roller handle, as shown and described.

**DESCRIPTION**

FIG. 1 is a perspective view of a lint roller handle showing my design;

FIG. 2 is a top view thereof;

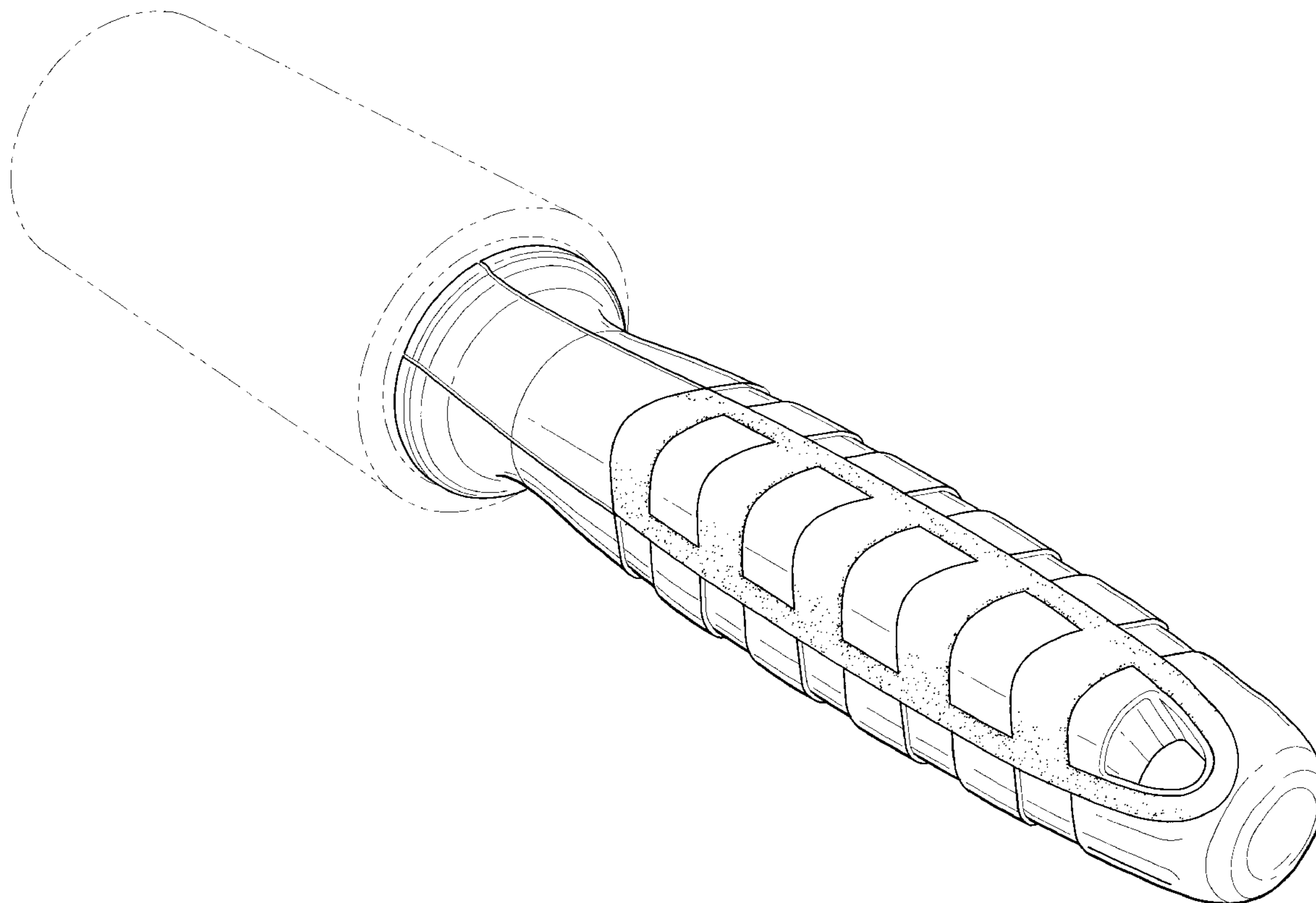
FIG. 3 is a side view thereof;

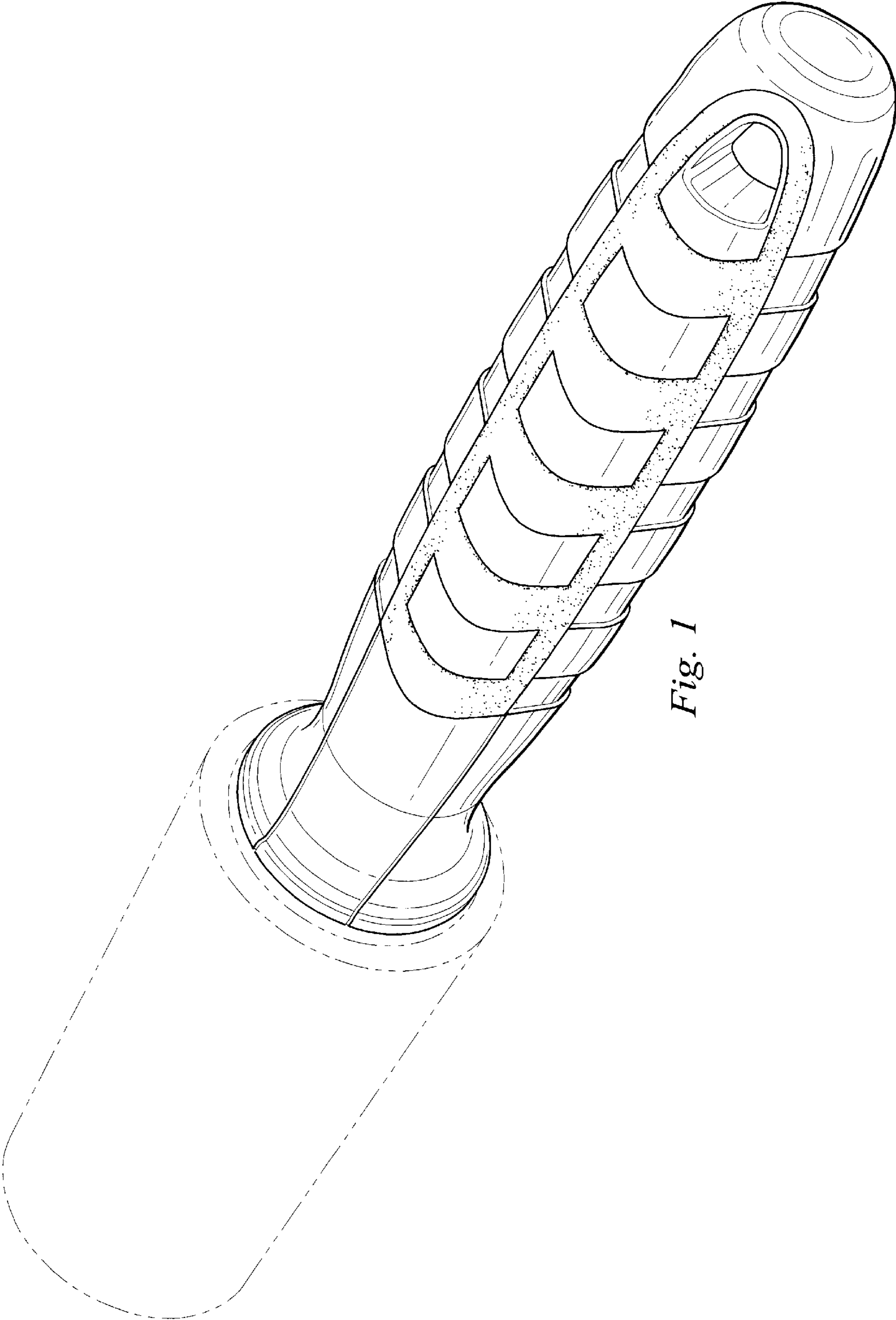
FIG. 4 is a front view thereof; and,

FIG. 5 is a rear view thereof.

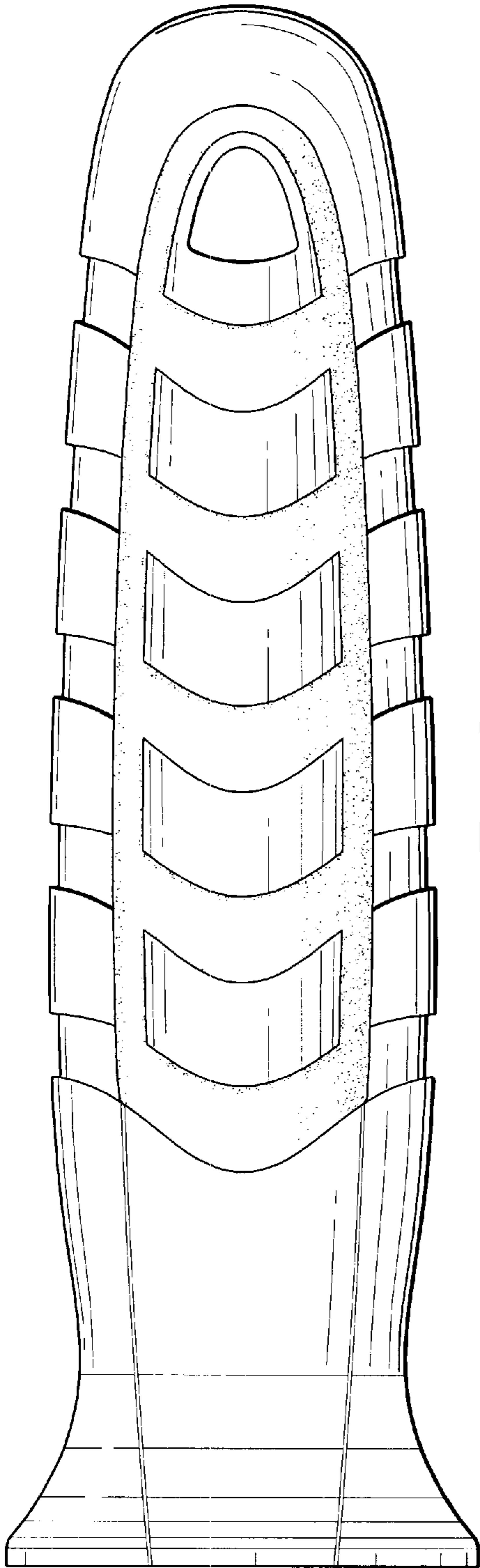
The broken lines showing a roller head in FIGS. 1 and 4 are for illustrative purposes only and form no part of the claimed design.

**1 Claim, 3 Drawing Sheets**

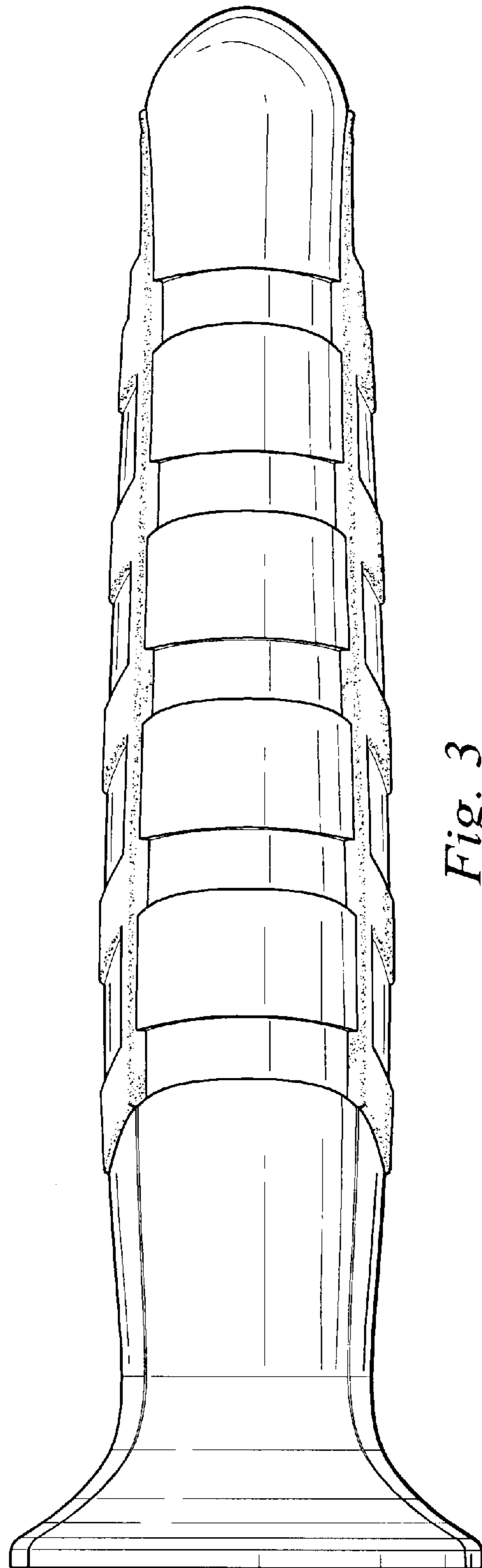




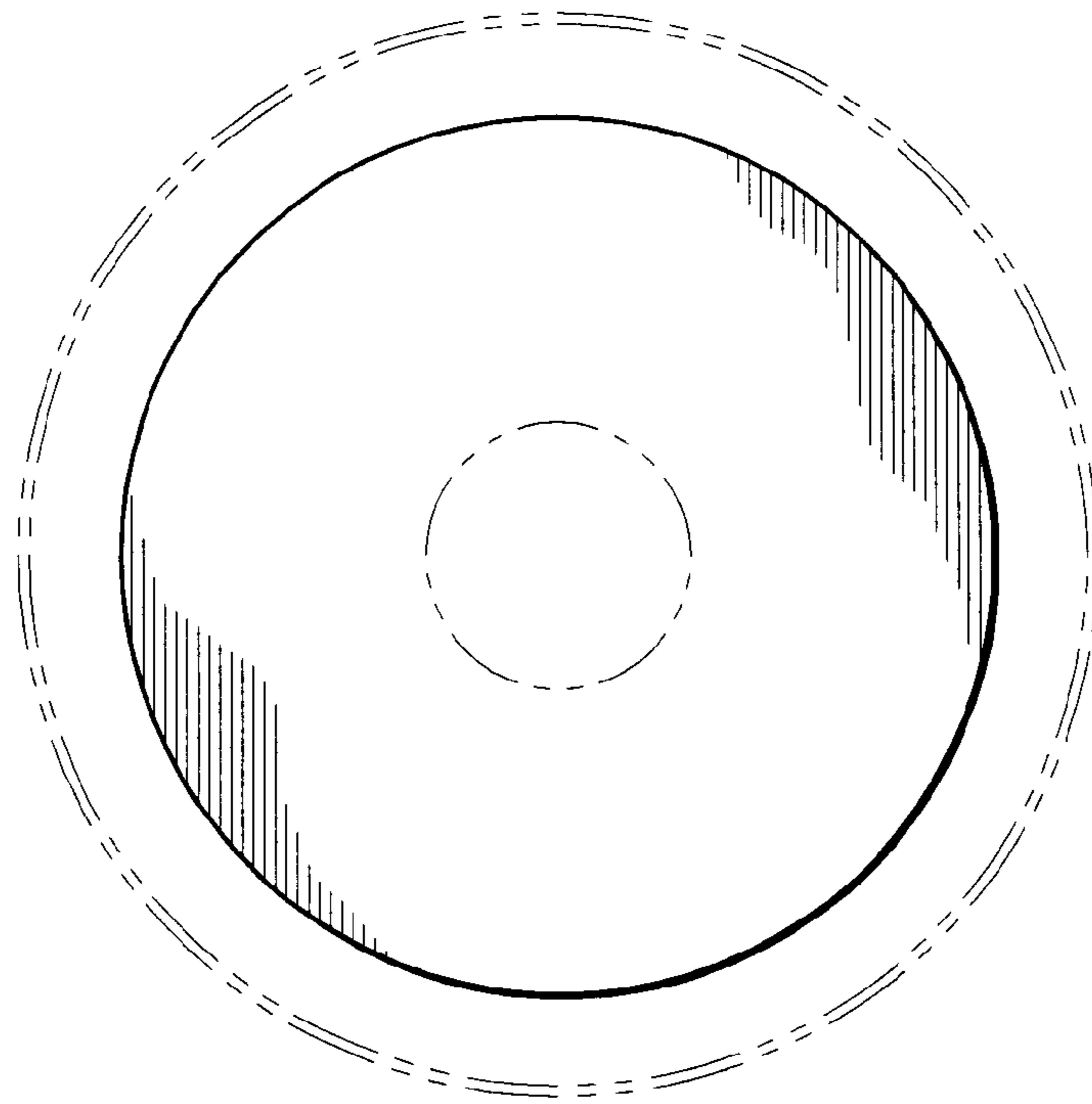
*Fig. 1*



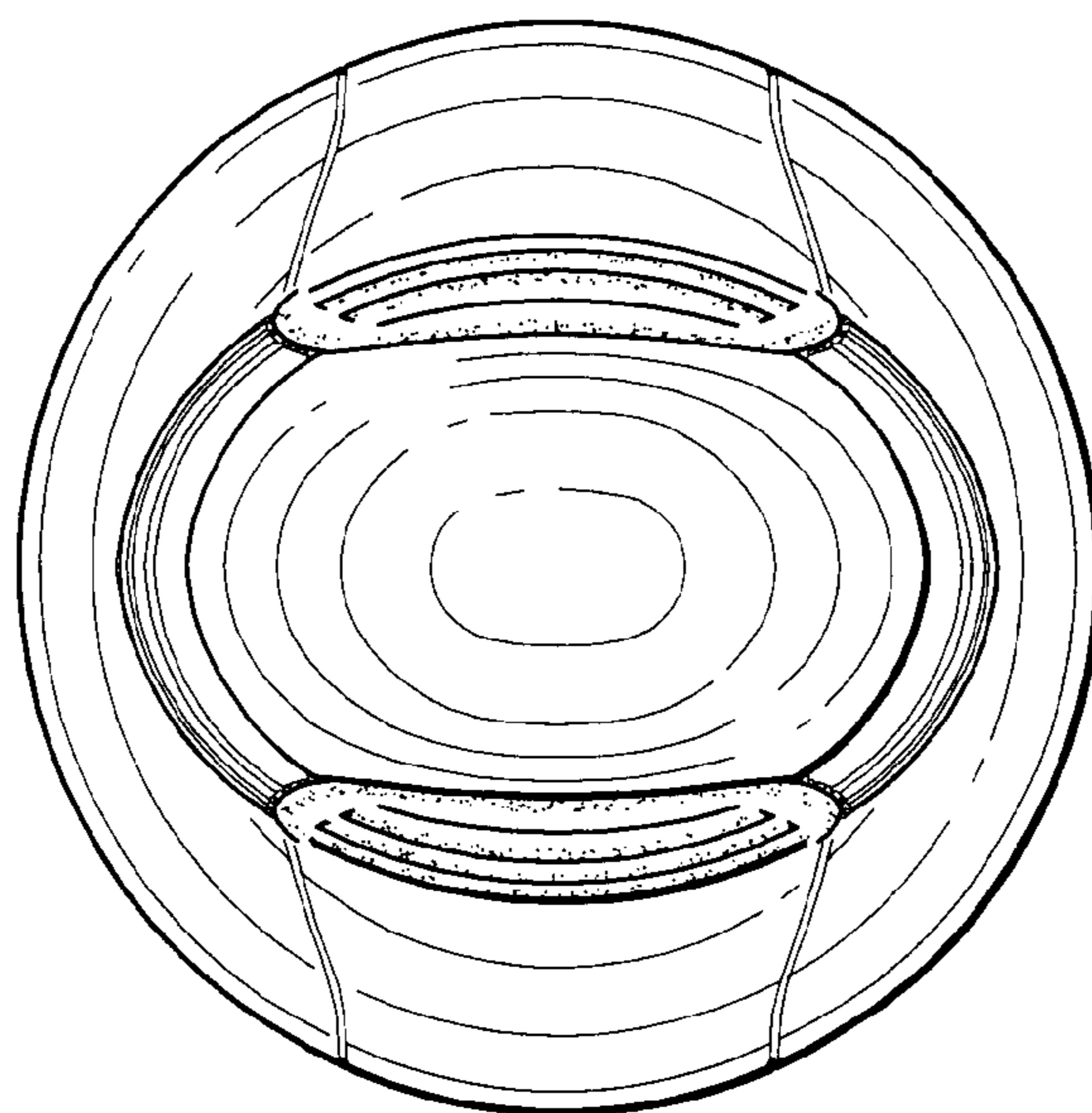
*Fig. 2*



*Fig. 3*



*Fig. 4*



*Fig. 5*