



US00D531813S

(12) **United States Design Patent**
Hill et al.

(10) **Patent No.:** **US D531,813 S**
(45) **Date of Patent:** **** Nov. 14, 2006**

(54) **TRUCKER'S BROOM WITH TELESCOPING HANDLE**

2004/0265053 A1 * 12/2004 Weaver 403/389

* cited by examiner

(76) Inventors: **Dennis C. Hill**, 14332 Spruce Hollow Dr., Holland, MI (US) 49424; **Betty L. Hill**, 14332 Spruce Hollow Dr., Holland, MI (US) 49424

Primary Examiner—Ian Simmons
Assistant Examiner—Lavone D. Tabor
(74) *Attorney, Agent, or Firm*—Donald R. Schonover

(**) **Term:** **14 Years**

(57) **CLAIM**

We claim the ornamental design for a trucker's broom with telescoping handle, as shown and described.

(21) **Appl. No.:** **29/190,348**

DESCRIPTION

(22) **Filed:** **Sep. 22, 2003**

(51) **LOC (8) Cl.** **04-01**

(52) **U.S. Cl.** **D4/121; D4/135**

(58) **Field of Classification Search** D4/121, D4/132, 135, 138, 199; D32/50; 15/143.1, 15/144.1, 144.3, 144.4, 145, 146, 159.1, 15/160, 171, 176.1, 176.2; 16/422, 427, 429
See application file for complete search history.

FIG. 1 is a perspective view of a trucker's broom with telescoping handle showing our new design in the storage position;

FIG. 2 is a front elevational view thereof in the storage position, the rear elevational view thereof being a mirror image thereof;

FIG. 3 is a left side elevational view thereof in the storage position;

FIG. 4 is a right side elevational view thereof in the storage position;

FIG. 5 is a top plan view thereof in the storage position;

FIG. 6 is a bottom plan view thereof in the storage position; and,

FIG. 7 is a reduced perspective view thereof in the use position with the handle extended and the conical sleeve positioned at the base of the handle.

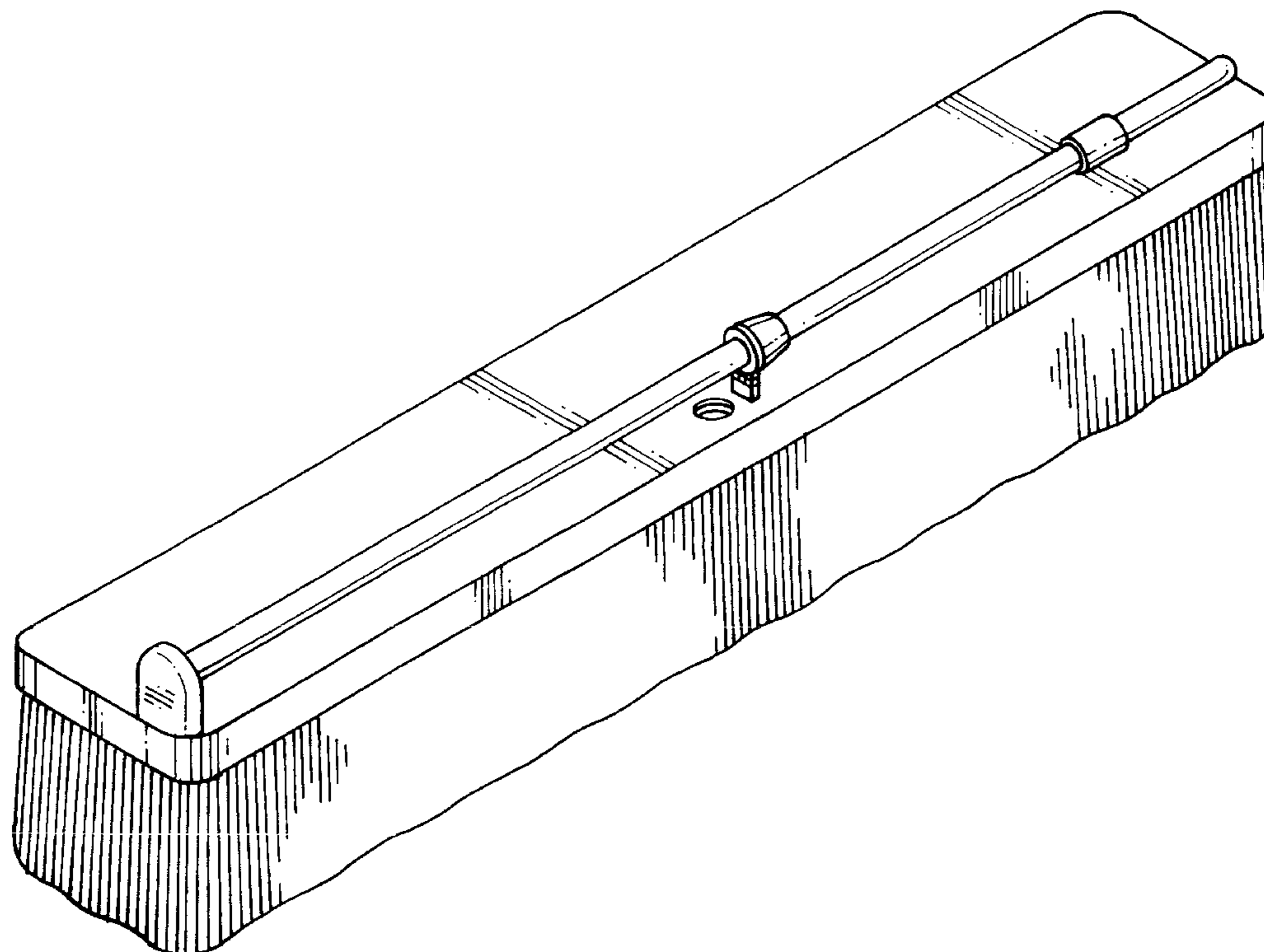
The individual bristle strands that make up the dense bristle mass are partially shown in FIGS. 1-4, 6, and 7 for ease of illustration.

(56) **References Cited**

U.S. PATENT DOCUMENTS

| | | | | |
|-----------|----|-----------|------------------|----------------|
| 1,423,043 | A | 7/1922 | Steinheiser | |
| D143,537 | S | * 1/1946 | Febvre | D4/132 |
| 4,550,829 | A | * 11/1985 | Strahs | 15/145 X |
| 4,653,142 | A | 3/1987 | Upton | |
| 4,756,039 | A | 7/1988 | Pardo | |
| D358,714 | S | 5/1995 | Shaner | |
| D363,821 | S | 11/1995 | Burgess | |
| 5,502,862 | A | * 4/1996 | Vosbikian | 15/145 X |
| 5,661,868 | A | 9/1997 | Panagakos et al. | |
| 6,256,829 | B1 | * 7/2001 | Hatch et al. | 15/144.4 |

1 Claim, 4 Drawing Sheets



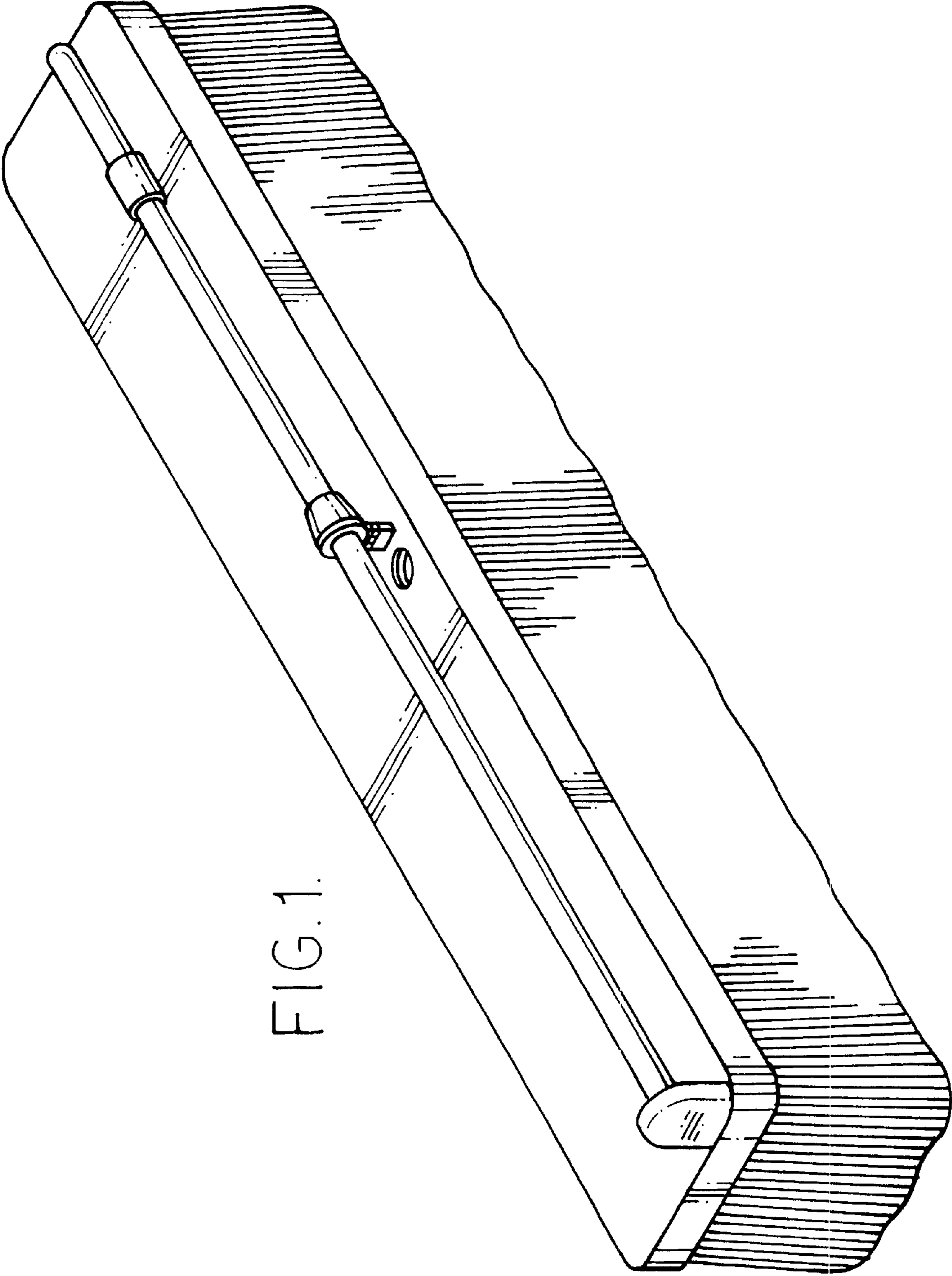


FIG. 1.

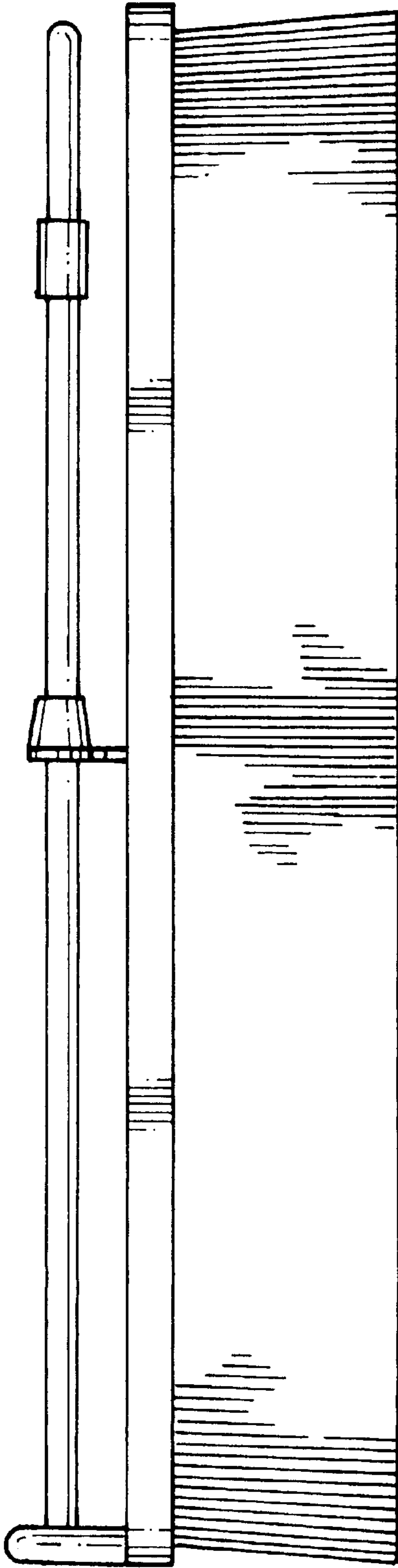


FIG. 2.

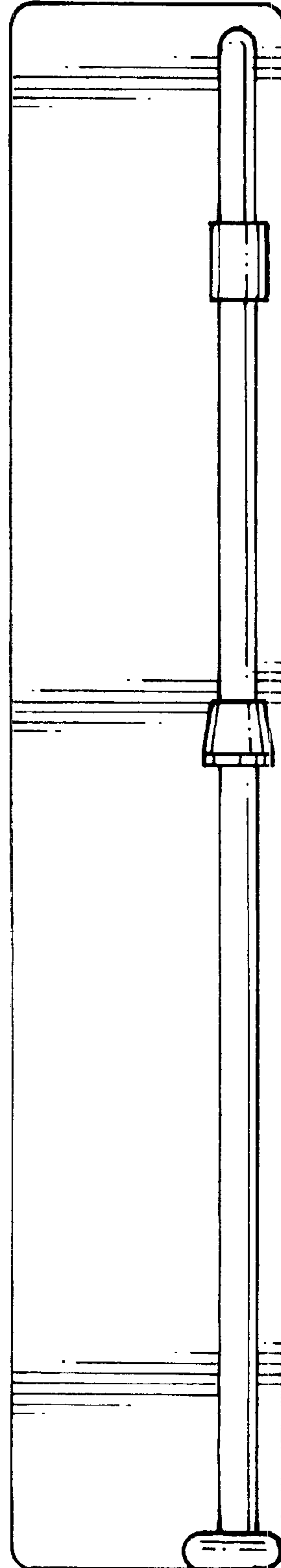


FIG. 5.

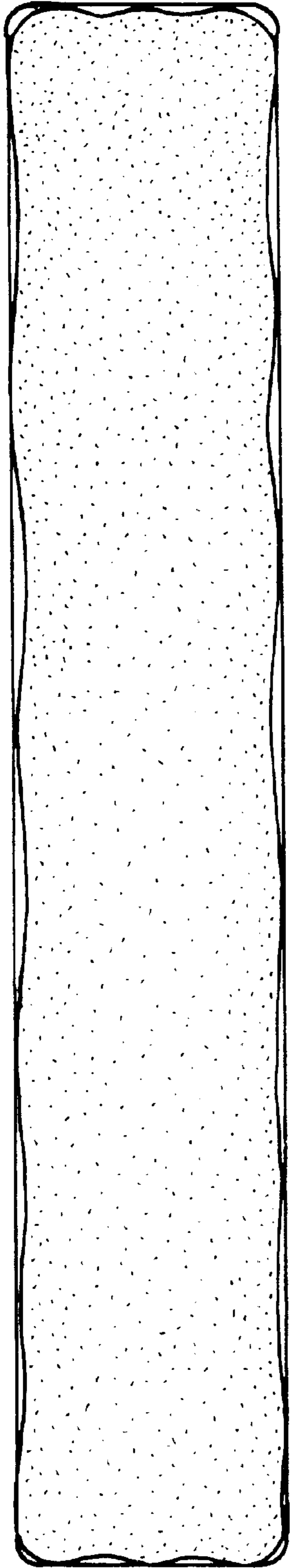


FIG. 6.

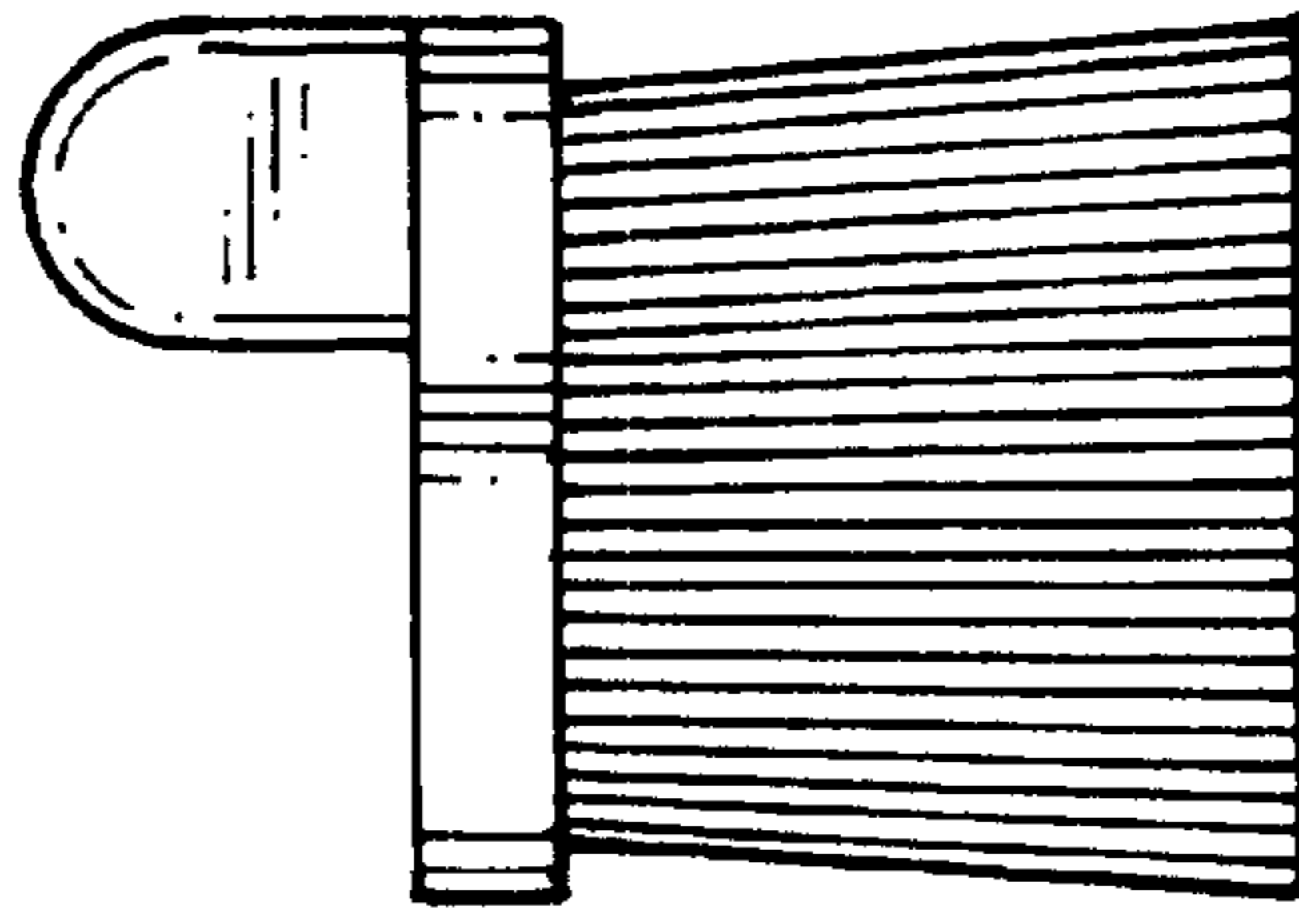


FIG. 4.

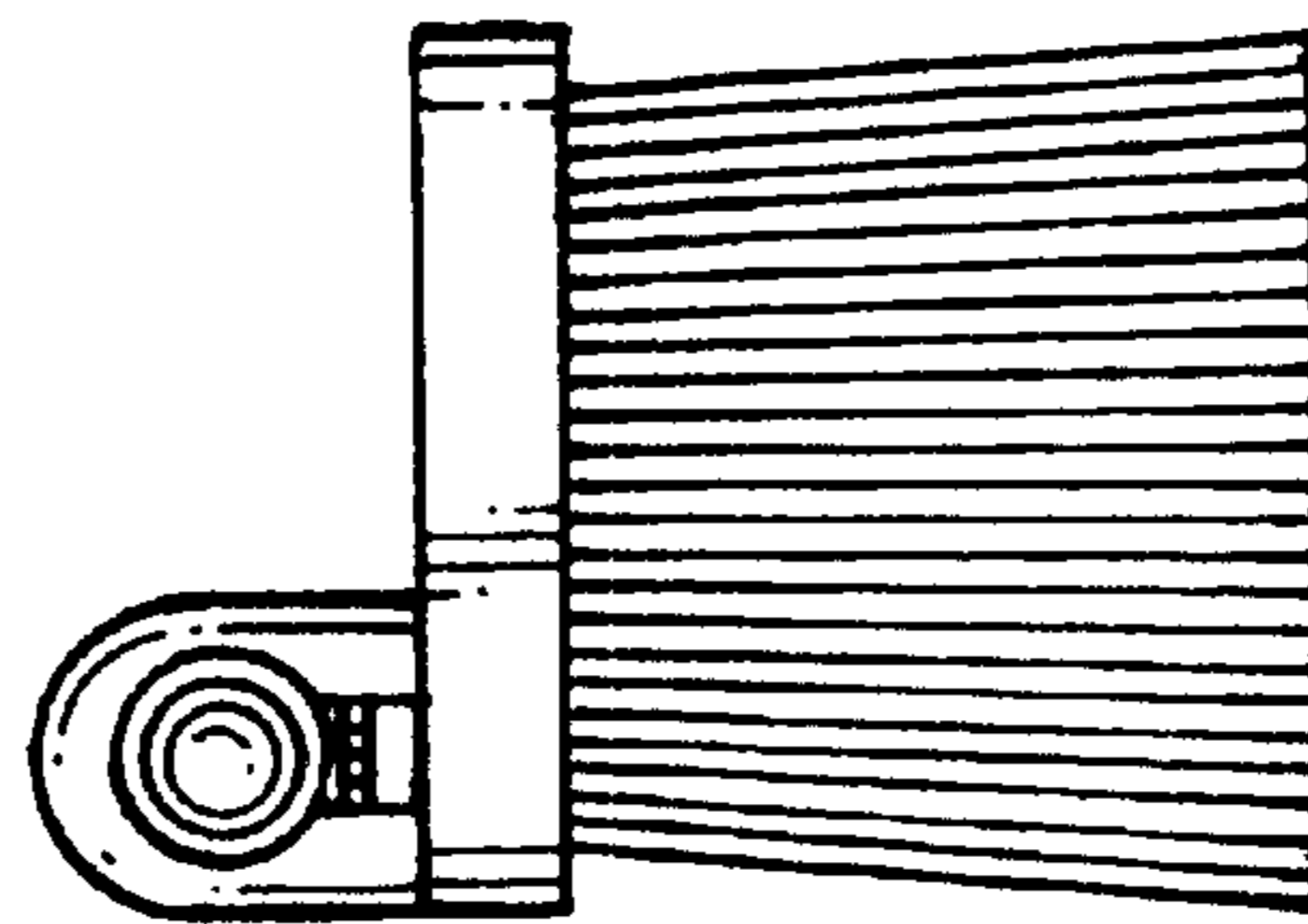


FIG. 3.

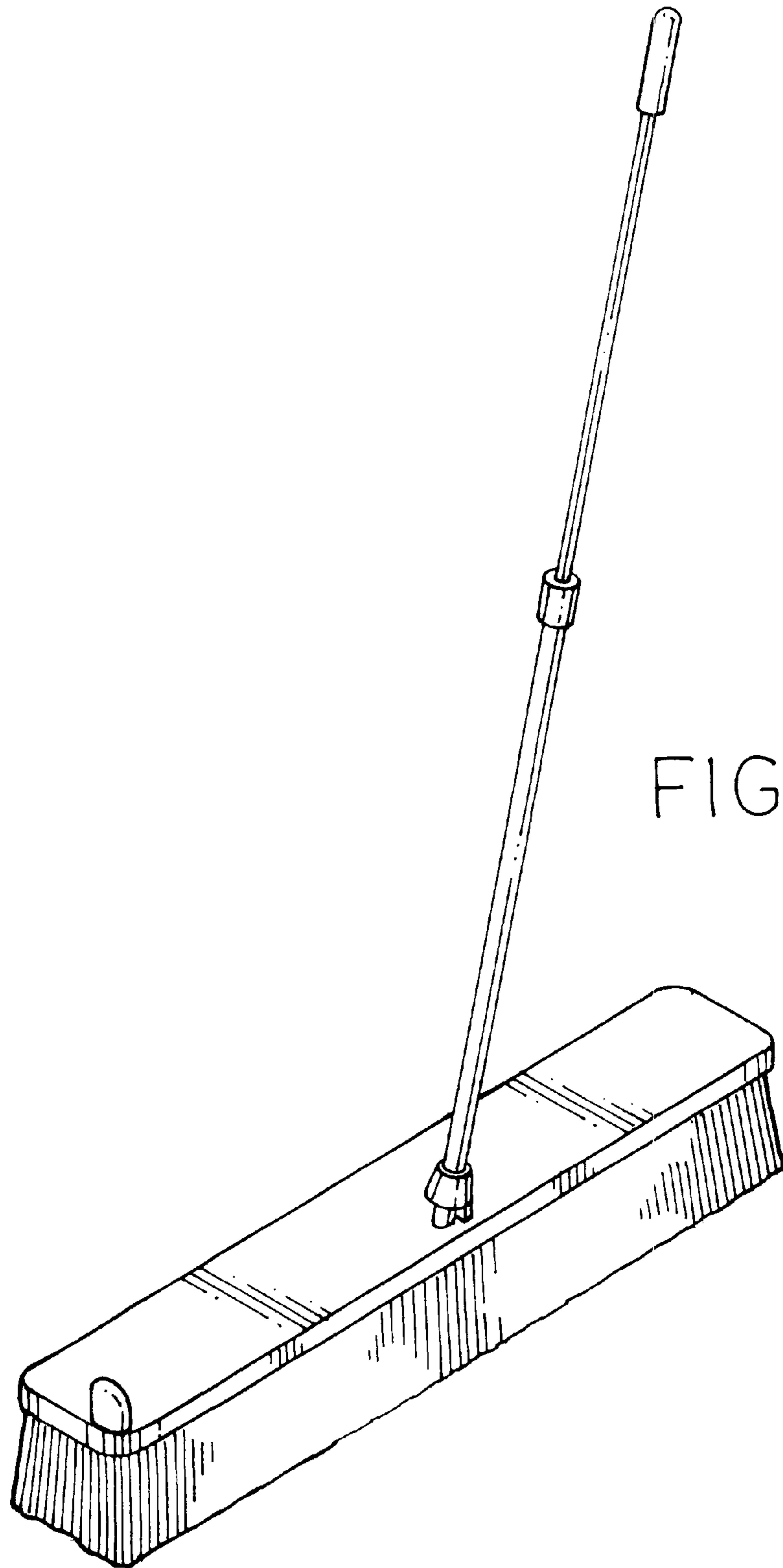


FIG. 7.