

US00D531805S

(12) **United States Design Patent**
Aglassinger

(10) **Patent No.:** **US D531,805 S**

(45) **Date of Patent:** **** Nov. 14, 2006**

(54) **DRILL BIT CONTAINER**

D505,549 S * 5/2005 Hosking D3/282

(75) Inventor: **Hans-Peter Aglassinger**, Esslingen
(DE)

* cited by examiner

Primary Examiner—Louis S. Zarfes

Assistant Examiner—Kathleen Sims

(73) Assignee: **Robert Bosch GmbH**, Stuttgart (DE)

(74) *Attorney, Agent, or Firm*—Michael J. Striker

(**) Term: **14 Years**

(57) **CLAIM**

(21) Appl. No.: **29/236,750**

The ornamental design for a drill bit container, as shown and described.

(22) Filed: **Aug. 22, 2005**

DESCRIPTION

(30) **Foreign Application Priority Data**

Jun. 8, 2005 (DE) 4 05 02 912

FIG. 1 is a perspective view of a drill bit container showing my new design;

(51) **LOC (8) Cl.** **03-01**

FIG. 2 is a front view thereof;

(52) **U.S. Cl.** **D3/315**

FIG. 3 is a rear view thereof;

(58) **Field of Classification Search** D3/905,

FIG. 4 is a top view thereof;

D3/273, 276, 283, 281, 291, 274, 282, 294,

FIG. 5 is a bottom view thereof;

D3/315; 190/110, 111, 100; 220/752, 324,

FIG. 6 is a side view thereof;

220/326; 206/349, 372, 373; 312/902

FIG. 7 is the opposite side view of FIG. 6 thereof;

See application file for complete search history.

FIG. 8 is a perspective view of an alternate embodiment of a drill bit container showing my new design;

(56) **References Cited**

FIG. 9 is a front view thereof;

U.S. PATENT DOCUMENTS

FIG. 10 is a rear view thereof;

D418,678 S * 1/2000 Robson D3/282

FIG. 11 is a top view thereof;

D439,408 S * 3/2001 Gibson et al. D3/282

FIG. 12 is a bottom view thereof;

D440,043 S * 4/2001 Miller et al. D3/282

FIG. 13 is a side view thereof; and,

D477,912 S * 8/2003 Cunningham et al. D3/273

FIG. 14 is the opposite side view of FIG. 13 thereof.

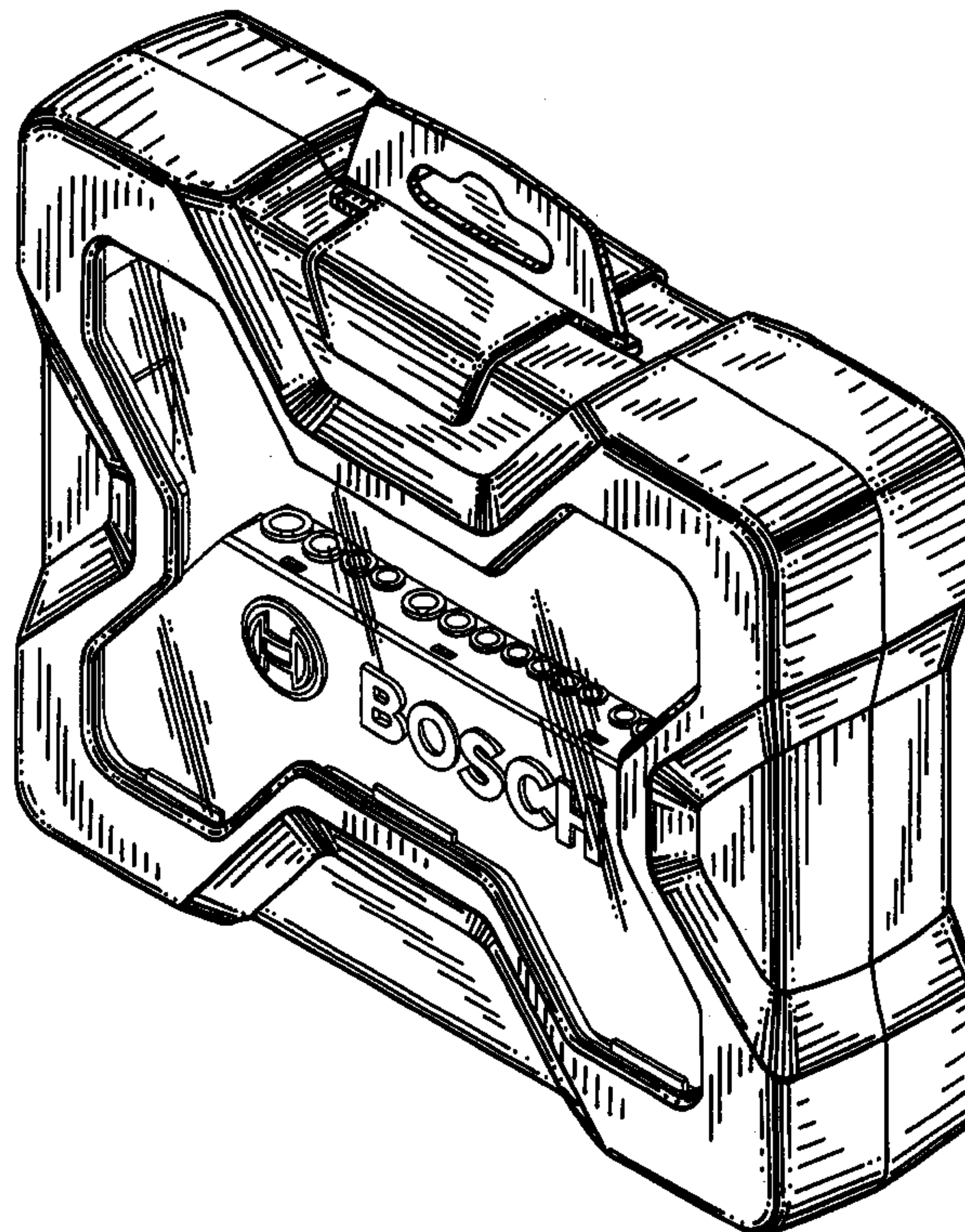
D478,209 S * 8/2003 Chen D3/282

The trademark BOSCH is a registered trademark of the Bosch Tool Company.

D485,437 S * 1/2004 Lee D3/282

1 Claim, 14 Drawing Sheets

D502,316 S * 3/2005 Chen D3/273



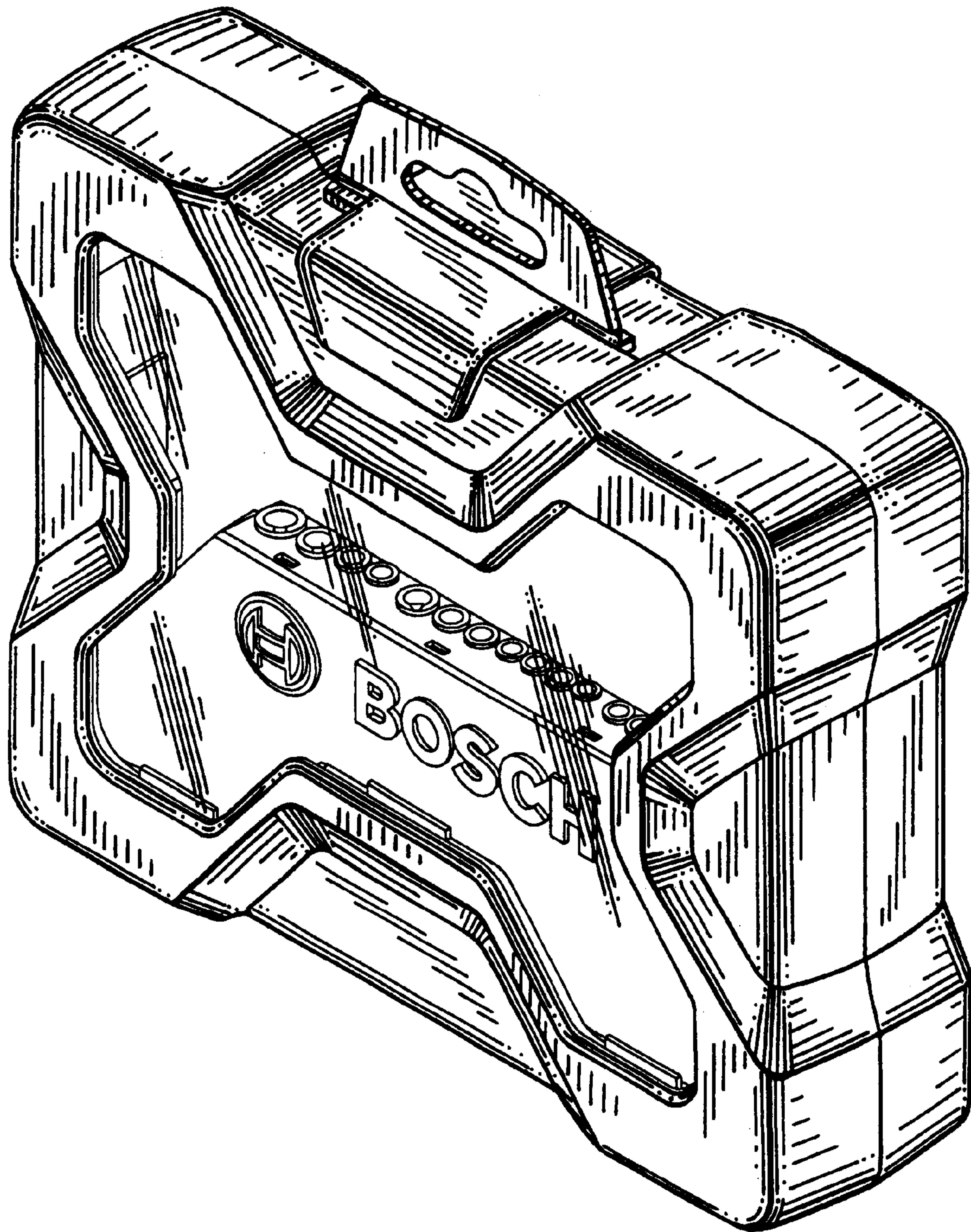


FIG. 1

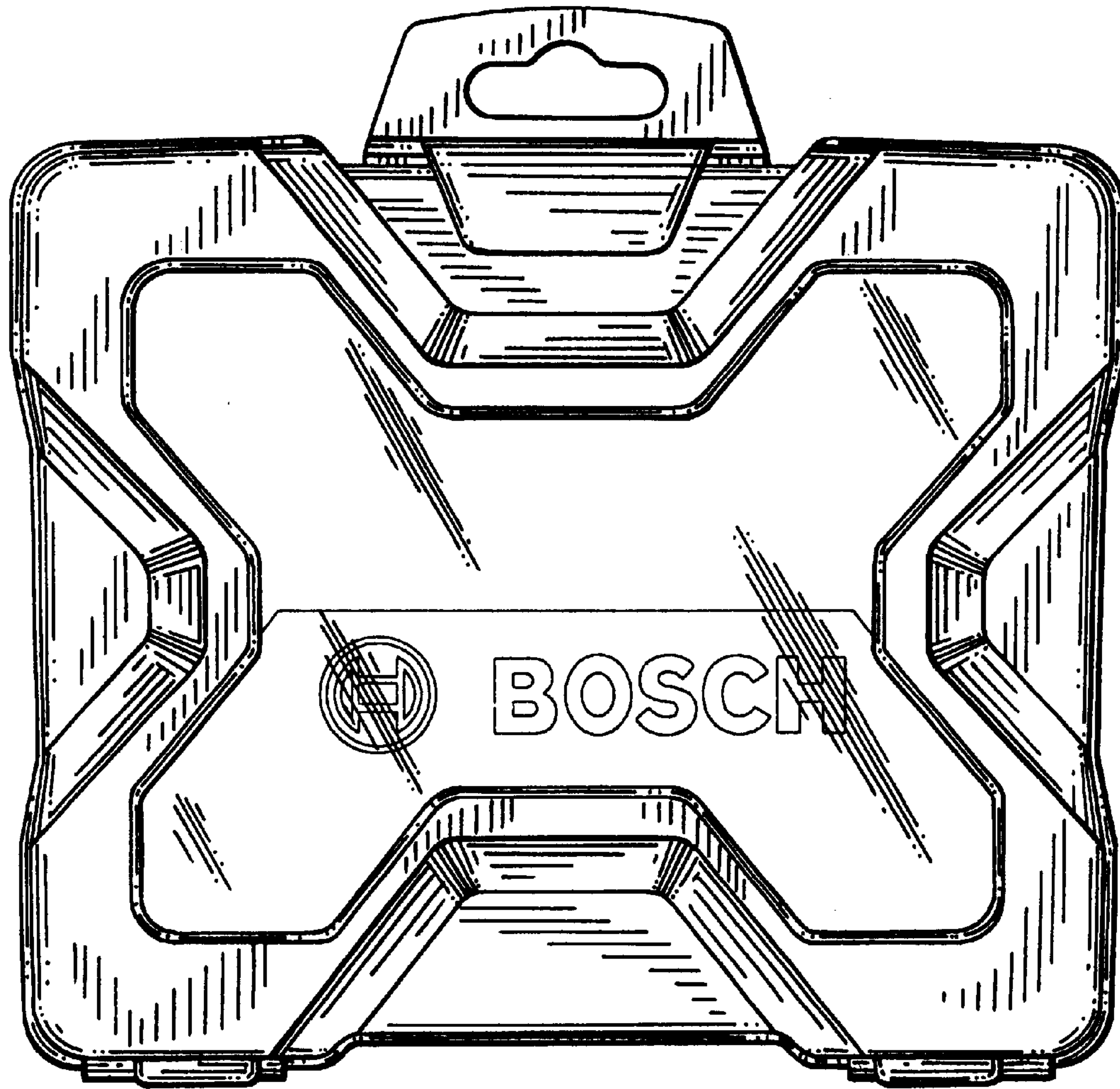


FIG. 2

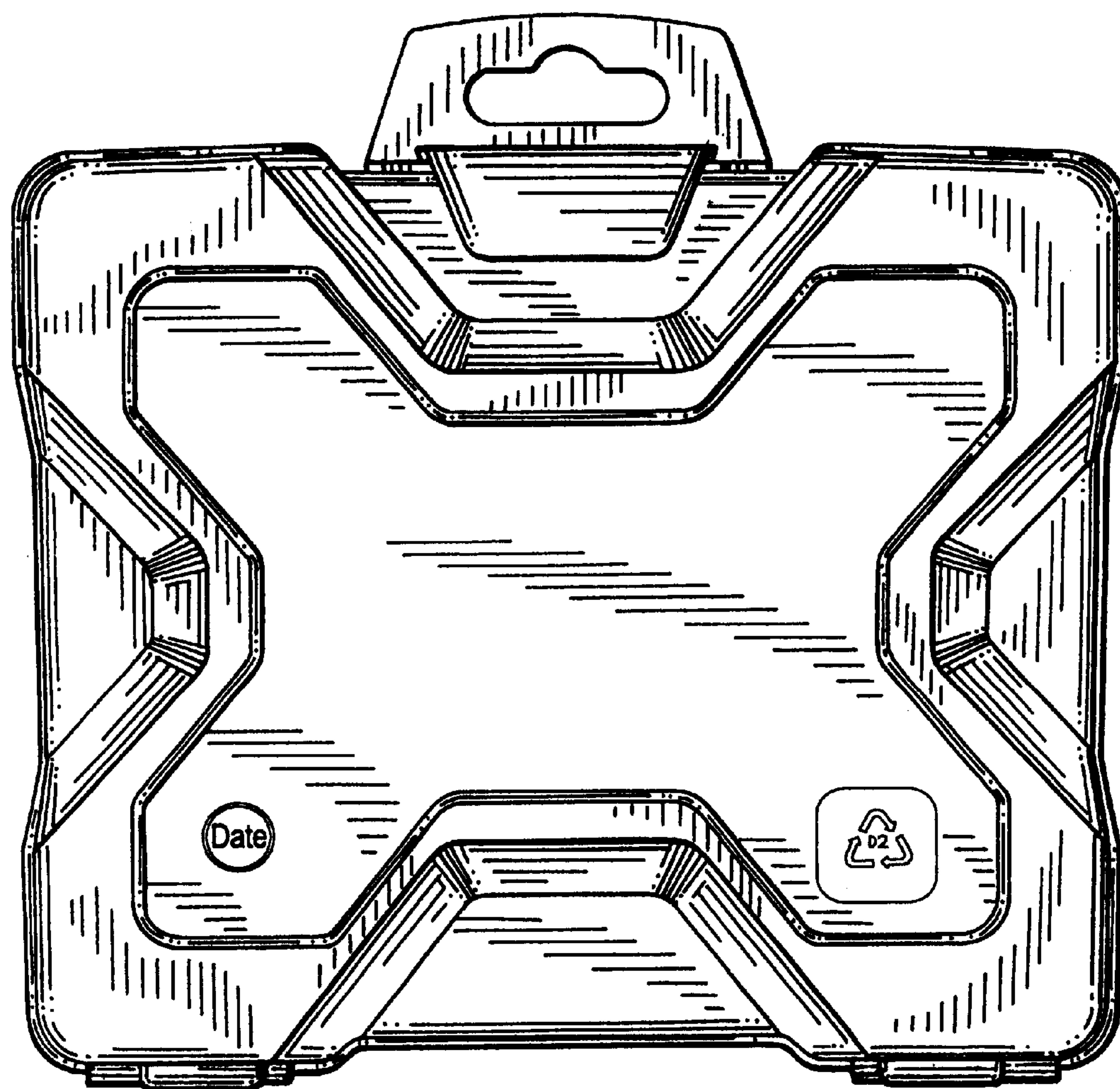


FIG. 3

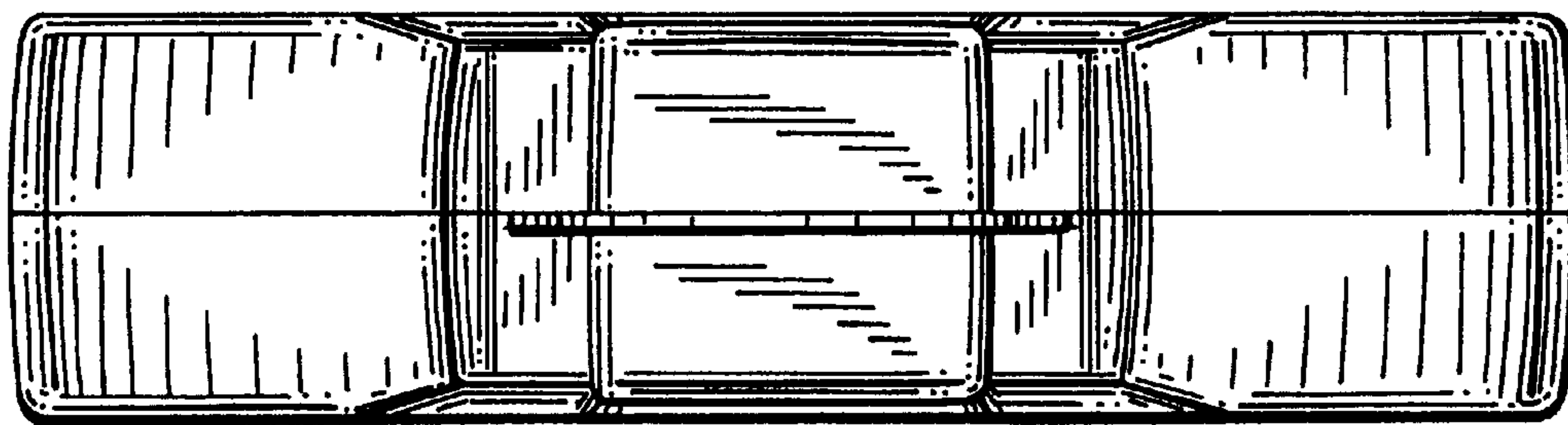


FIG. 4

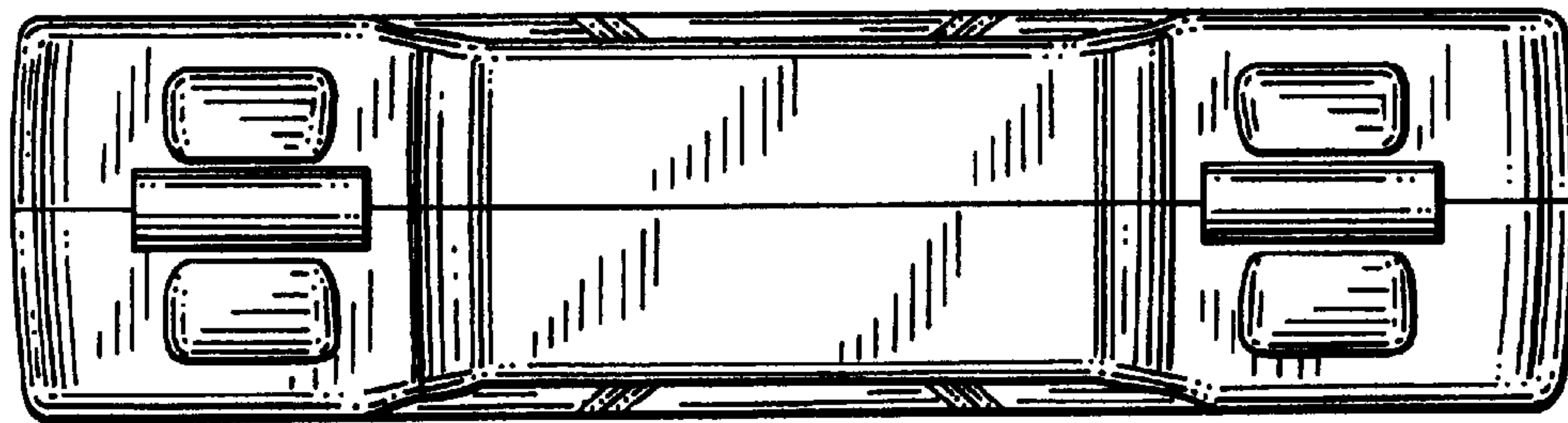


FIG. 5

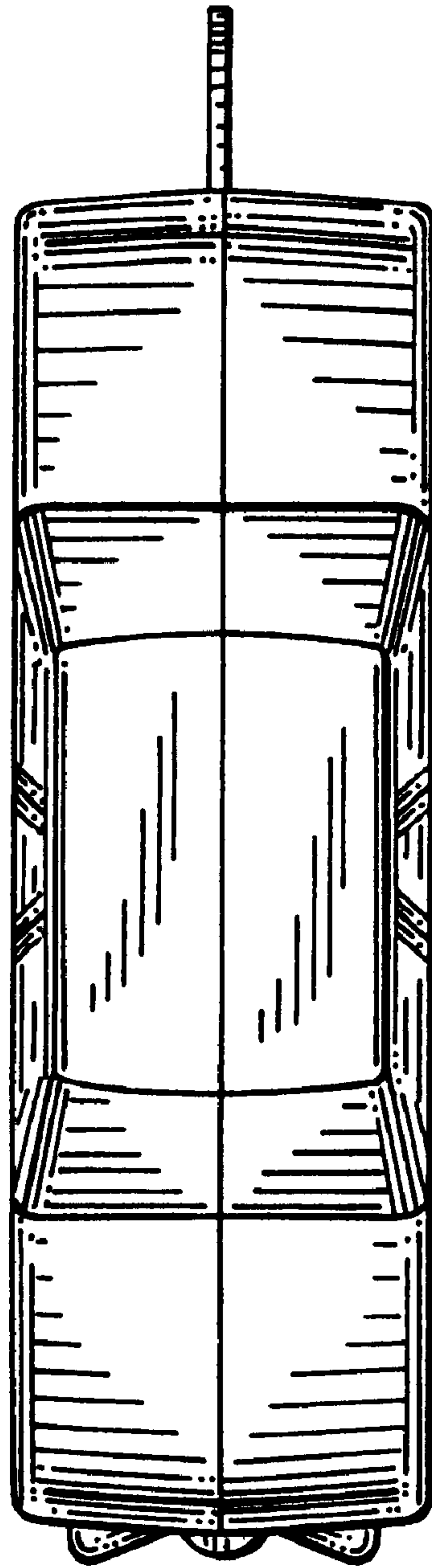


FIG. 6

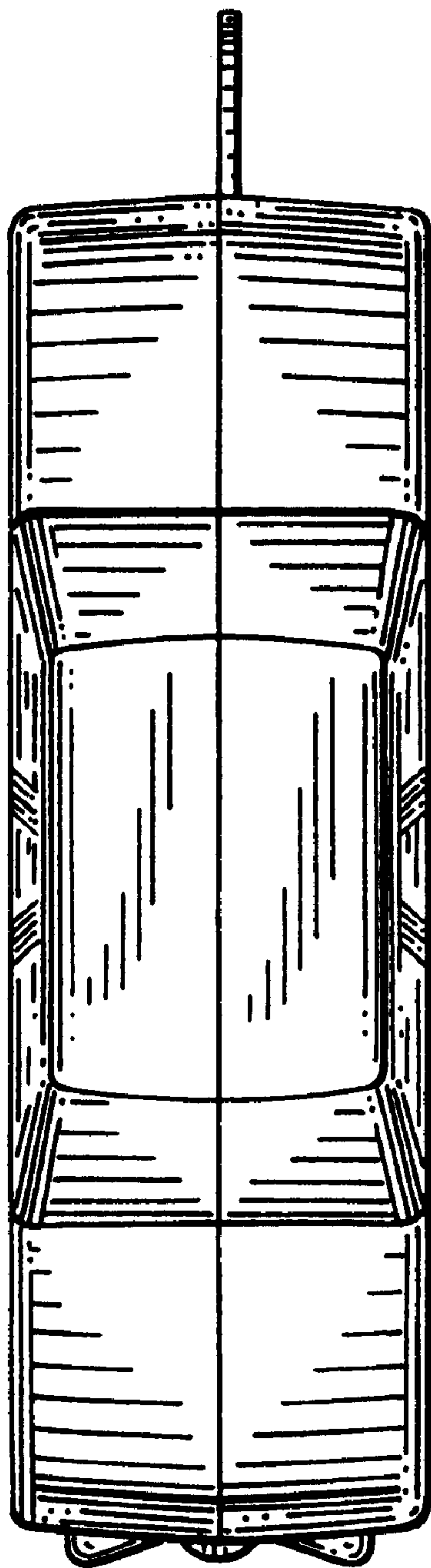


FIG. 7

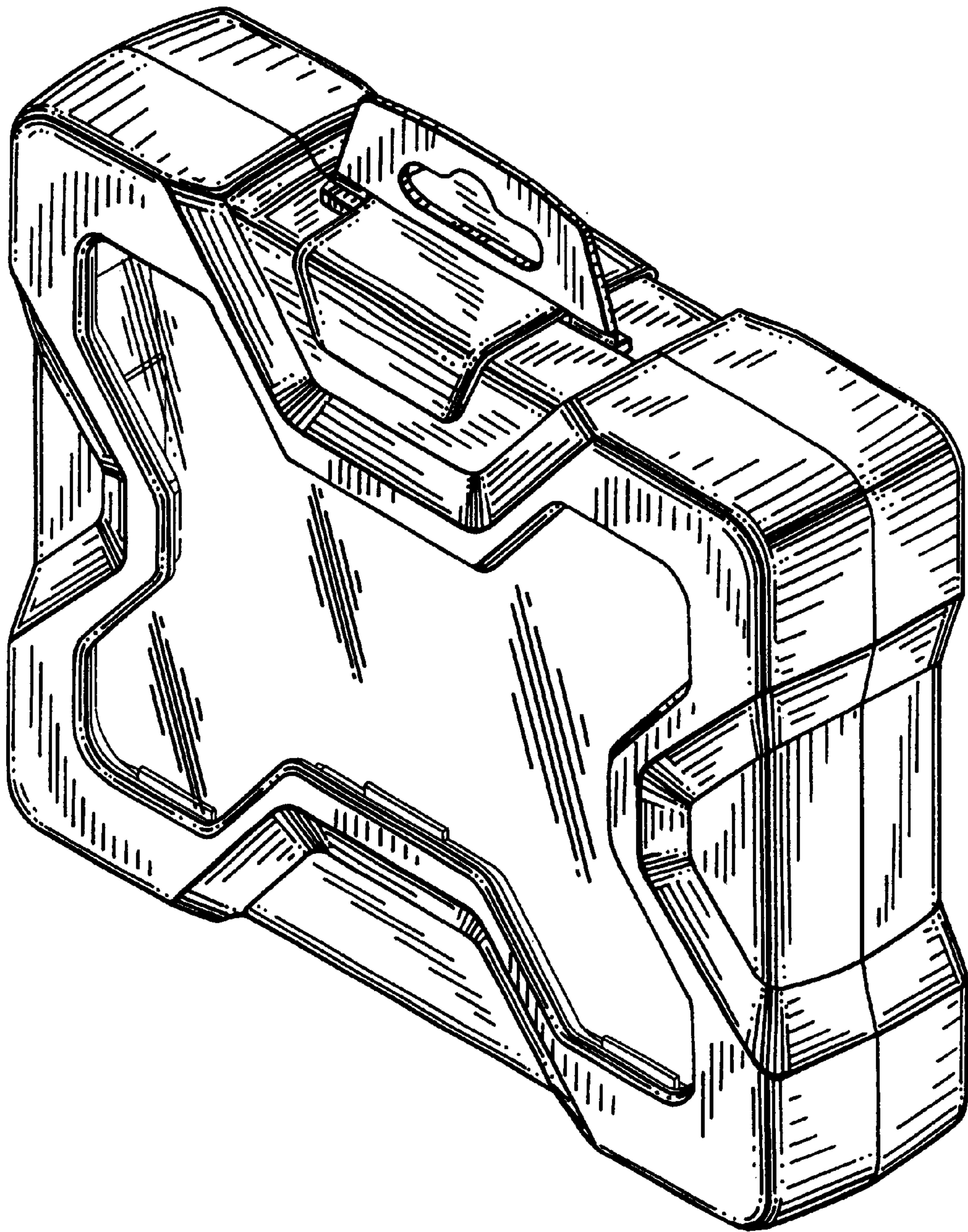


FIG. 8

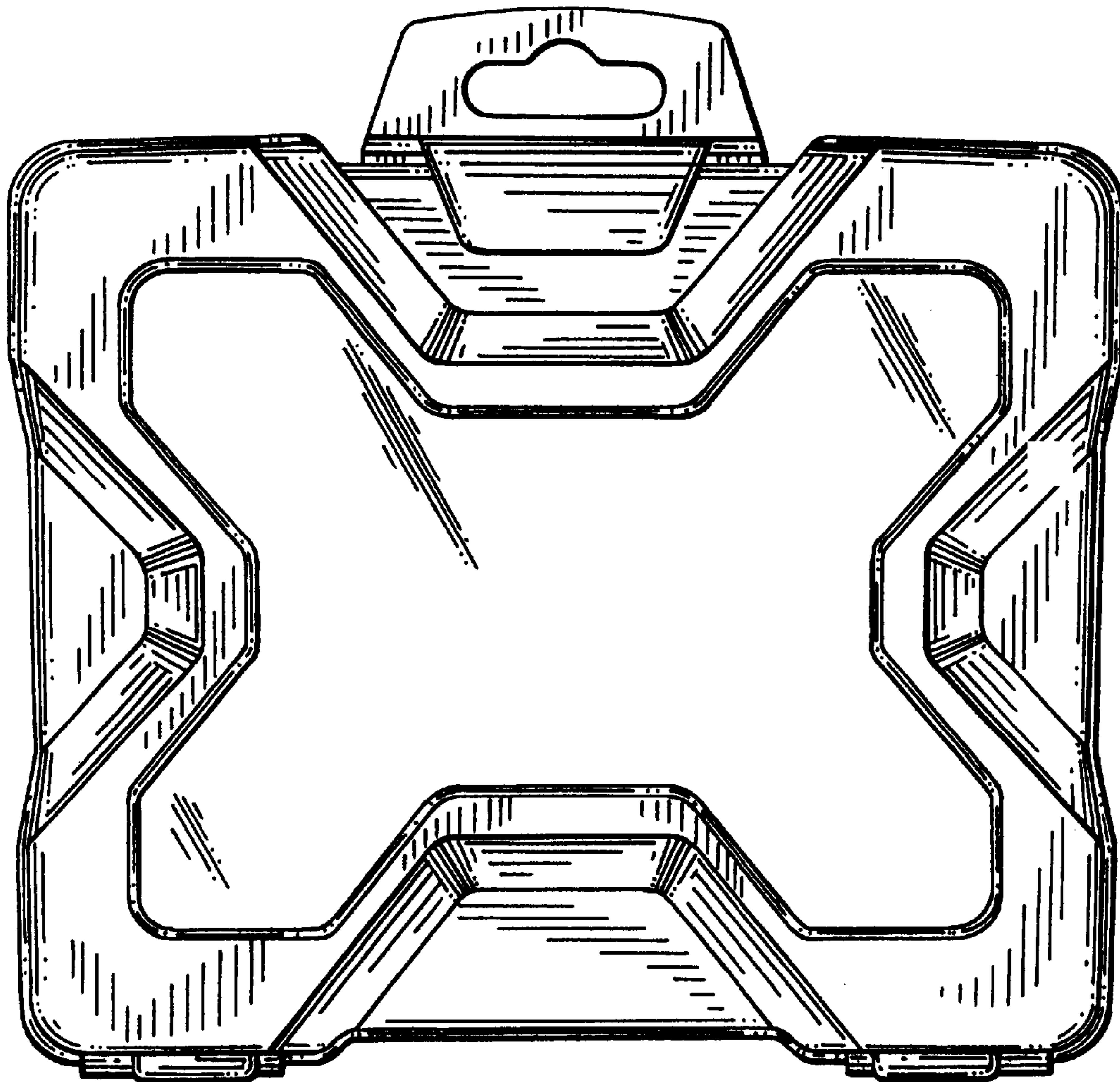


FIG. 9

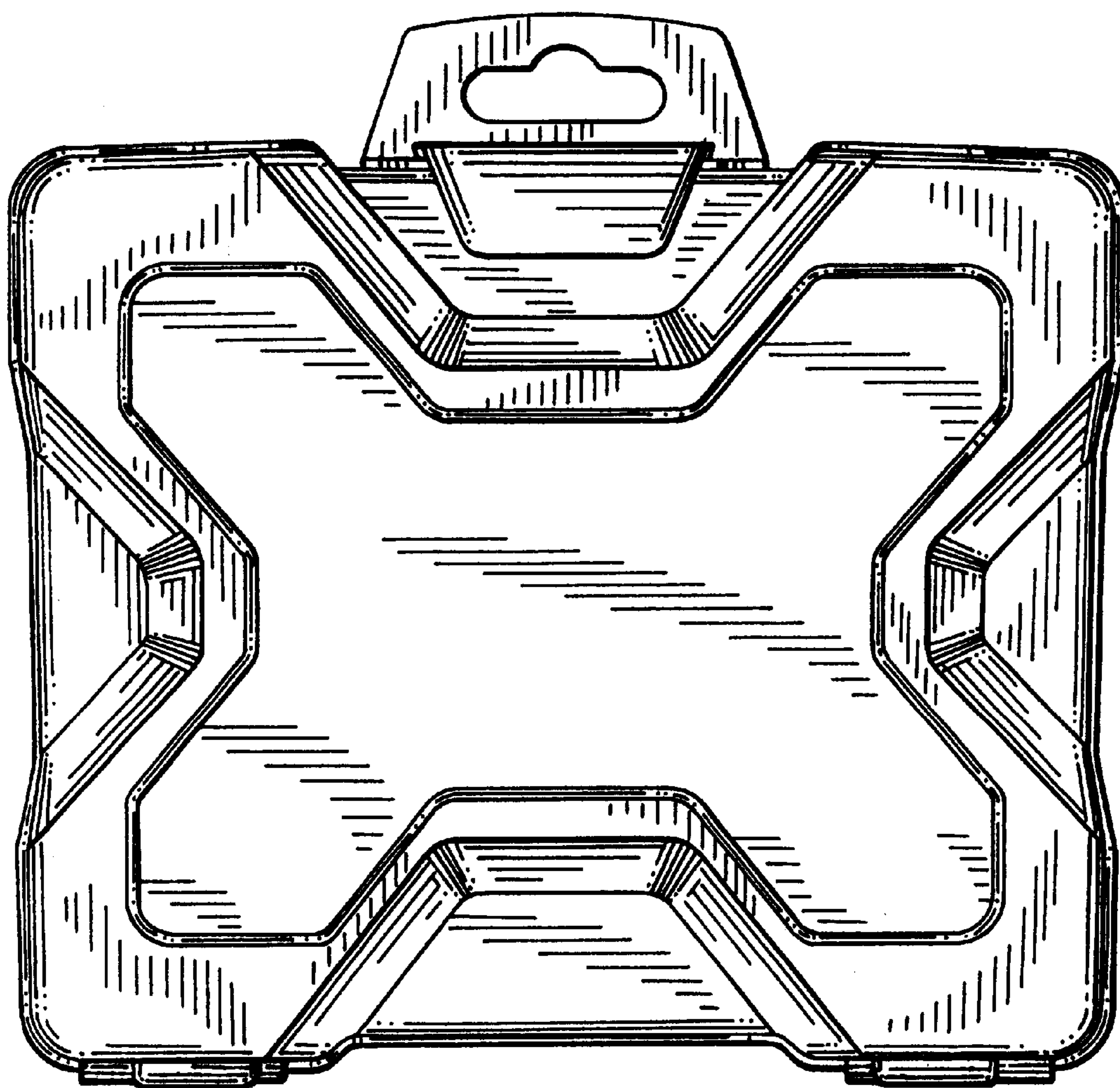


FIG. 10

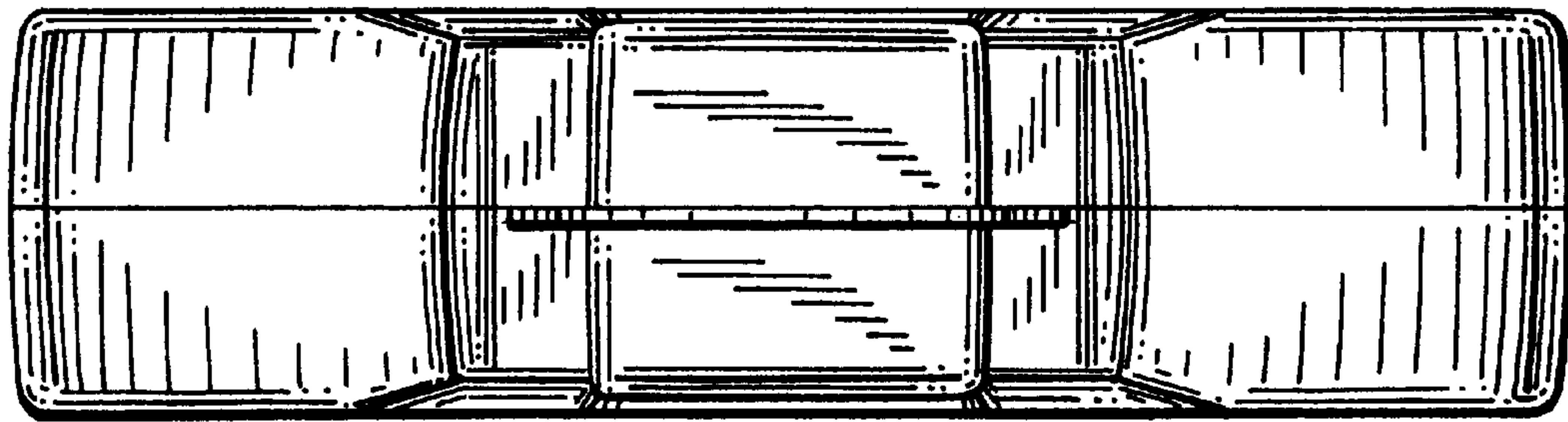


FIG. 11

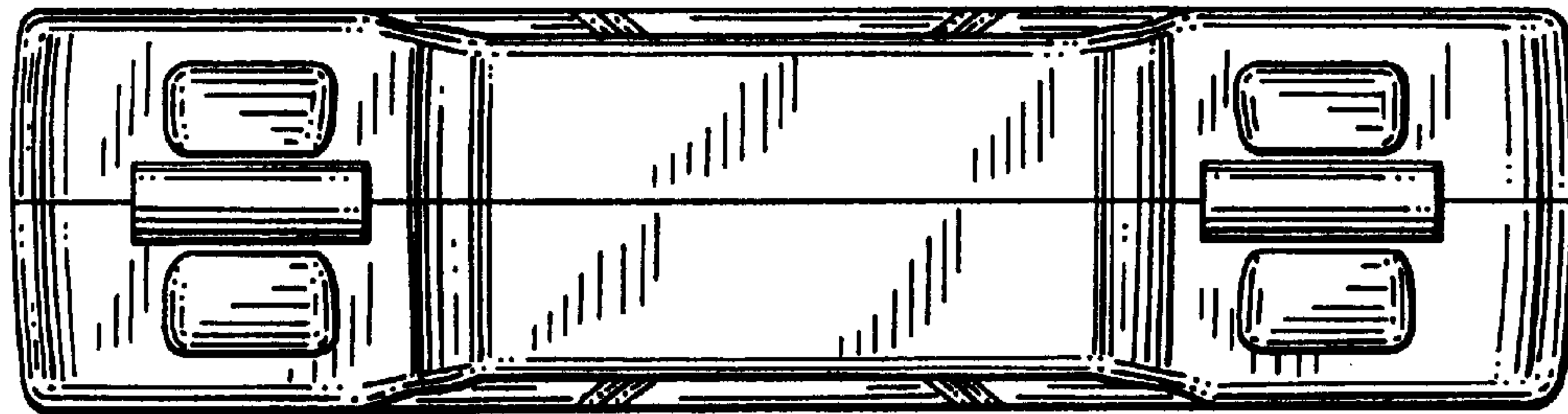


FIG. 12

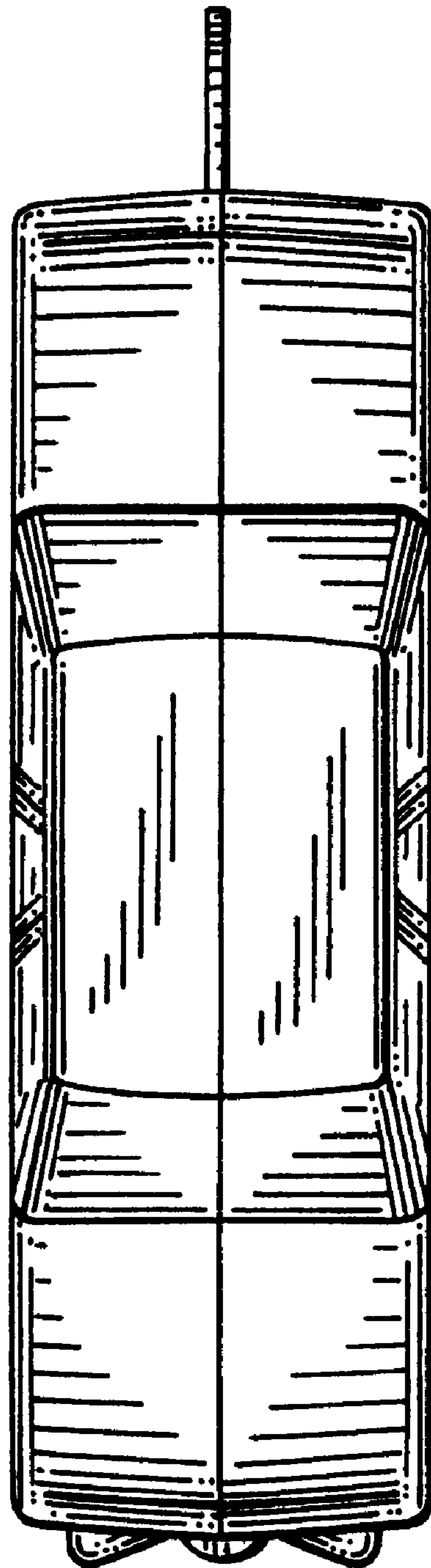


FIG. 13

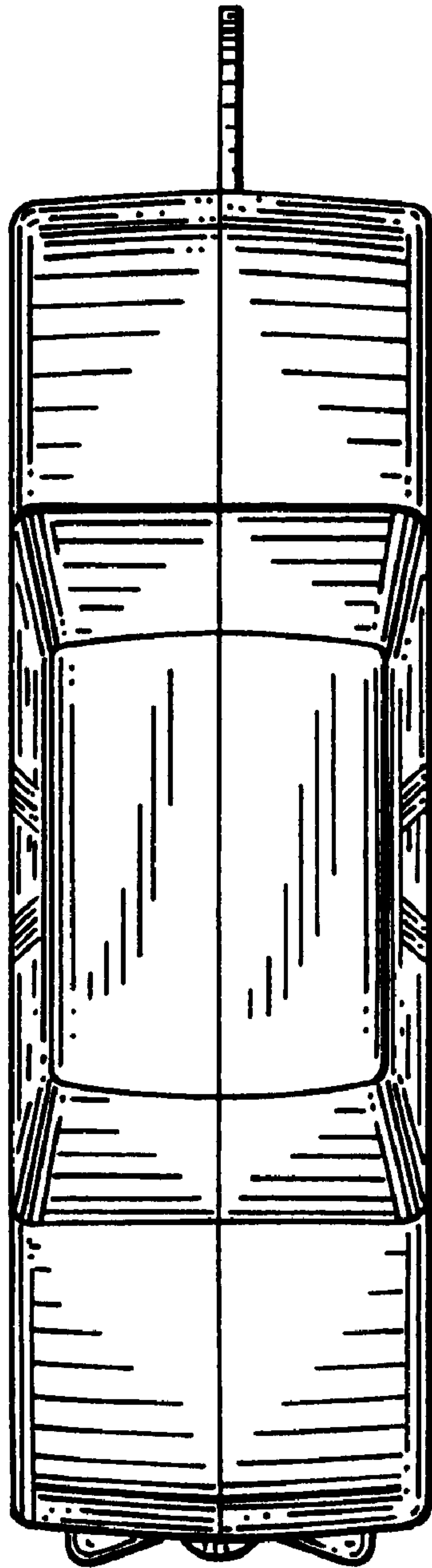


FIG. 14